



US00D914906S

(12) **United States Design Patent**
Klein et al.

(10) **Patent No.:** **US D914,906 S**
(45) **Date of Patent:** **** Mar. 30, 2021**

(54) **SAMPLE PREPARATION DEVICE**

Primary Examiner — Anhdao Doan

(71) Applicant: **LIFE TECHNOLOGIES CORPORATION**, Carlsbad, CA (US)

(72) Inventors: **Sandro Klein**, Irvine, CA (US); **Joseph Podhasky**, San Rafael, CA (US); **Patrick Leung**, San Bruno, CA (US)

(73) Assignee: **LIFE TECHNOLOGIES CORPORATION**, Carlsbad, CA (US)

(**) Term: **15 Years**

(21) Appl. No.: **29/710,649**

(22) Filed: **Oct. 24, 2019**

(51) **LOC (13) Cl.** **24-01**

(52) **U.S. Cl.**
USPC **D24/216**

(58) **Field of Classification Search**
USPC D24/107, 185, 186, 216–219, 231–234;
D10/81
CPC G01N 2035/00306; G01N 2035/00326;
G01N 2035/00336; G01N 2030/027;
G01N 21/6458; G01N 21/6484; G01N
21/6486; G01N 21/76; G01N 35/025
See application file for complete search history.

(56) **References Cited**

U.S. PATENT DOCUMENTS

D621,523	S	*	8/2010	Onuma	D24/234
D702,852	S	*	4/2014	Podhasky	D24/216
D818,146	S	*	5/2018	Tanaka	D24/216
D825,776	S	*	8/2018	Quick	D24/232
D843,005	S	*	3/2019	Kobeli	D24/216
D854,188	S	*	7/2019	Schaeken	D24/232
D865,220	S	*	10/2019	Davidson	D24/232
D874,017	S	*	1/2020	Jenoski	D24/216
D890,361	S	*	7/2020	Nuesch	D24/232
2010/0120129	A1	*	5/2010	Amshey	B01L 3/50273 435/270

* cited by examiner

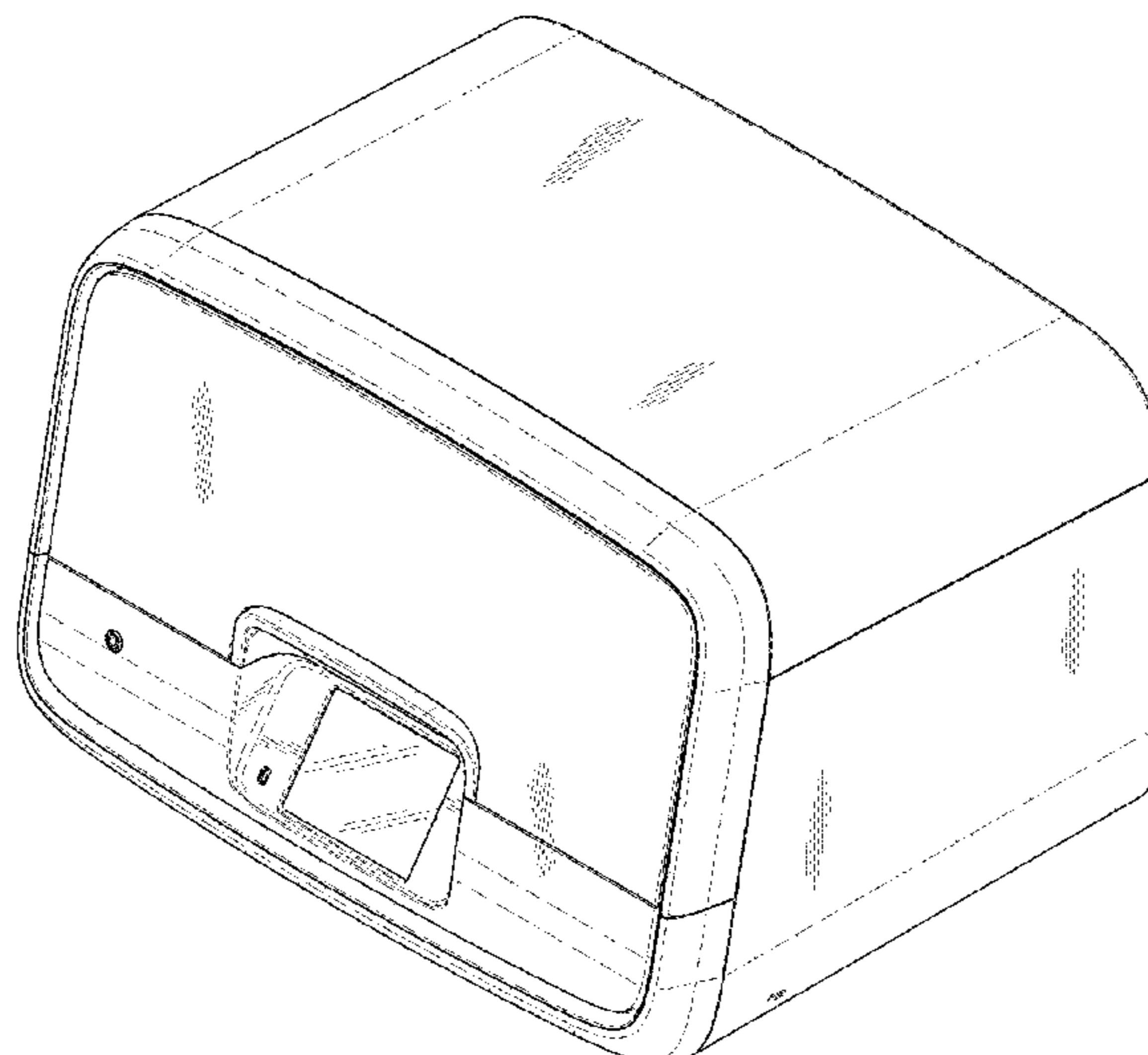
(57) **CLAIM**

The ornamental design for a sample preparation device, as shown and described.

DESCRIPTION

FIG. 1 is a front perspective view of a sample preparation device according to one embodiment; FIG. 2 is a rear perspective view thereof; FIG. 3 is a front view thereof; FIG. 4 is a rear view thereof; FIG. 5 is a side view thereof; FIG. 6 is another side view thereof; FIG. 7 is a top view thereof; and FIG. 8 is a bottom view thereof. FIG. 9 is a front perspective view of a sample preparation device according to another embodiment; FIG. 10 is a front view thereof; FIG. 11 is a rear view thereof; FIG. 12 is a side view thereof; FIG. 13 is another side view thereof; FIG. 14 is a top view thereof; and FIG. 15 is a bottom view thereof. FIG. 16 is a front perspective view of a sample preparation device according to a further embodiment; FIG. 17 is a front view thereof; FIG. 18 is a rear view thereof; FIG. 19 is a side view thereof; FIG. 20 is another side view thereof; FIG. 21 is a top view thereof; and, FIG. 22 is a bottom view thereof. The broken lines depict portions of the sample preparation device that form no part of the claimed design; the broken lines form no part of the claimed design.

1 Claim, 22 Drawing Sheets



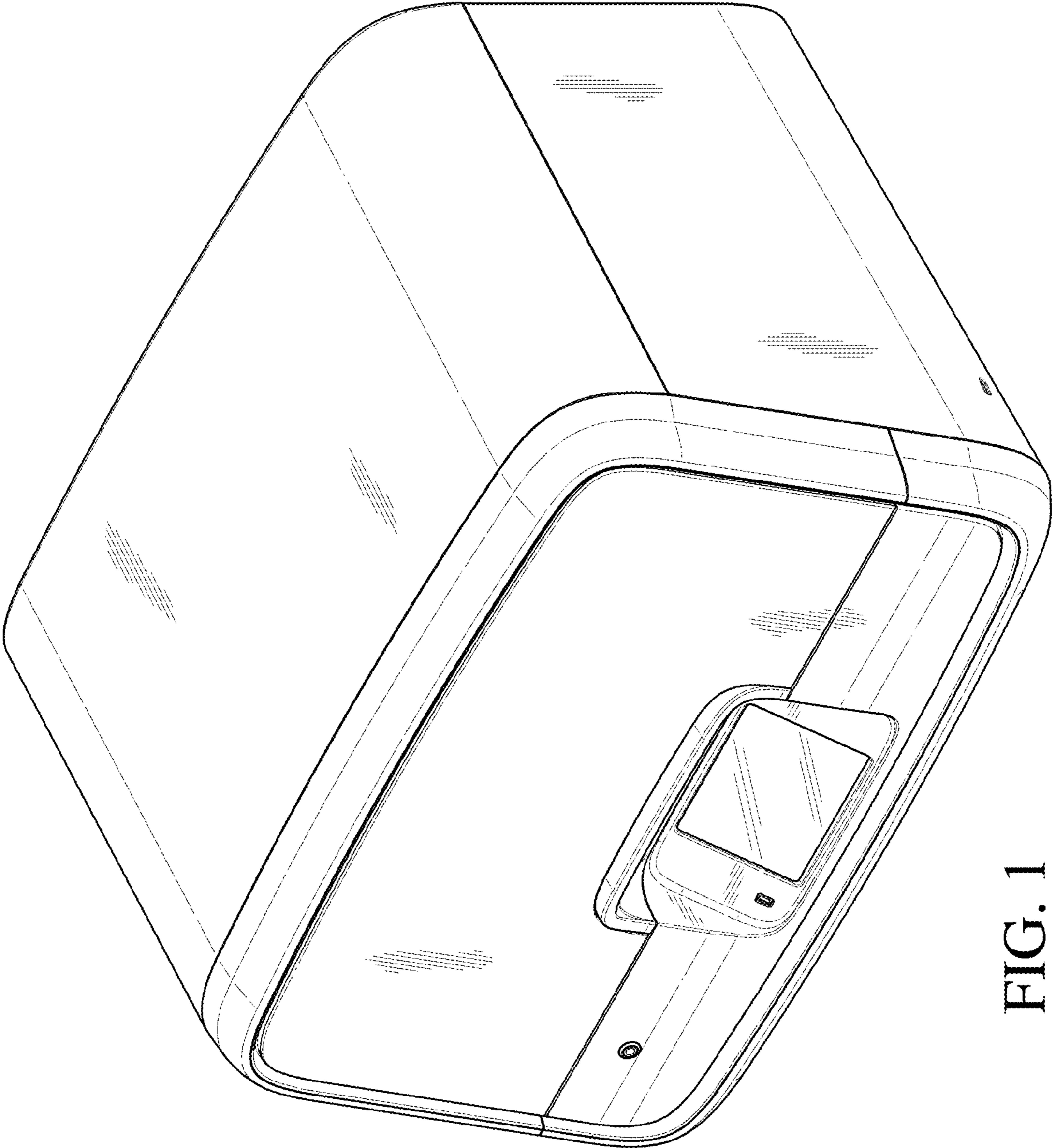


FIG. 1

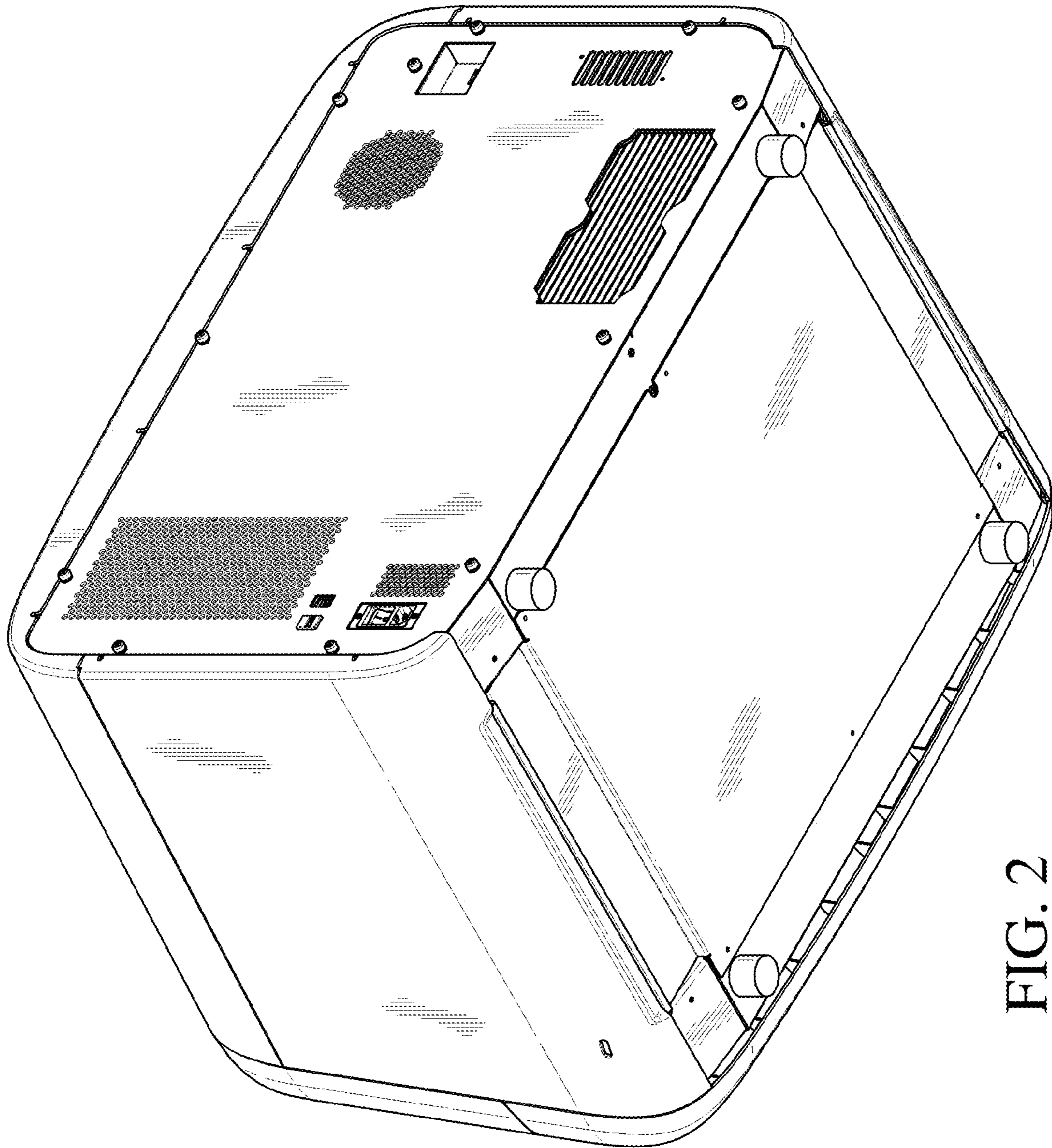


FIG. 2

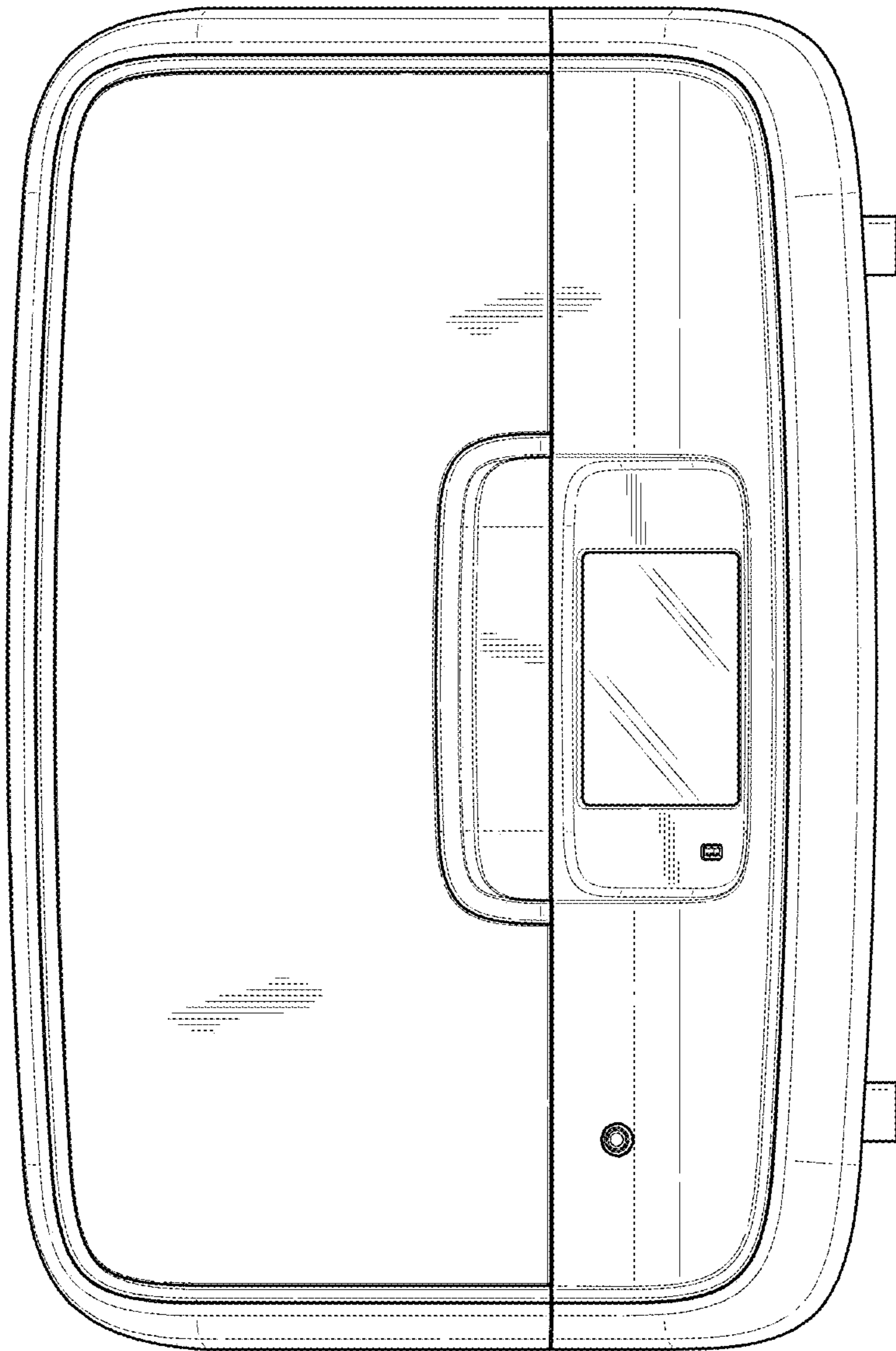


FIG. 3

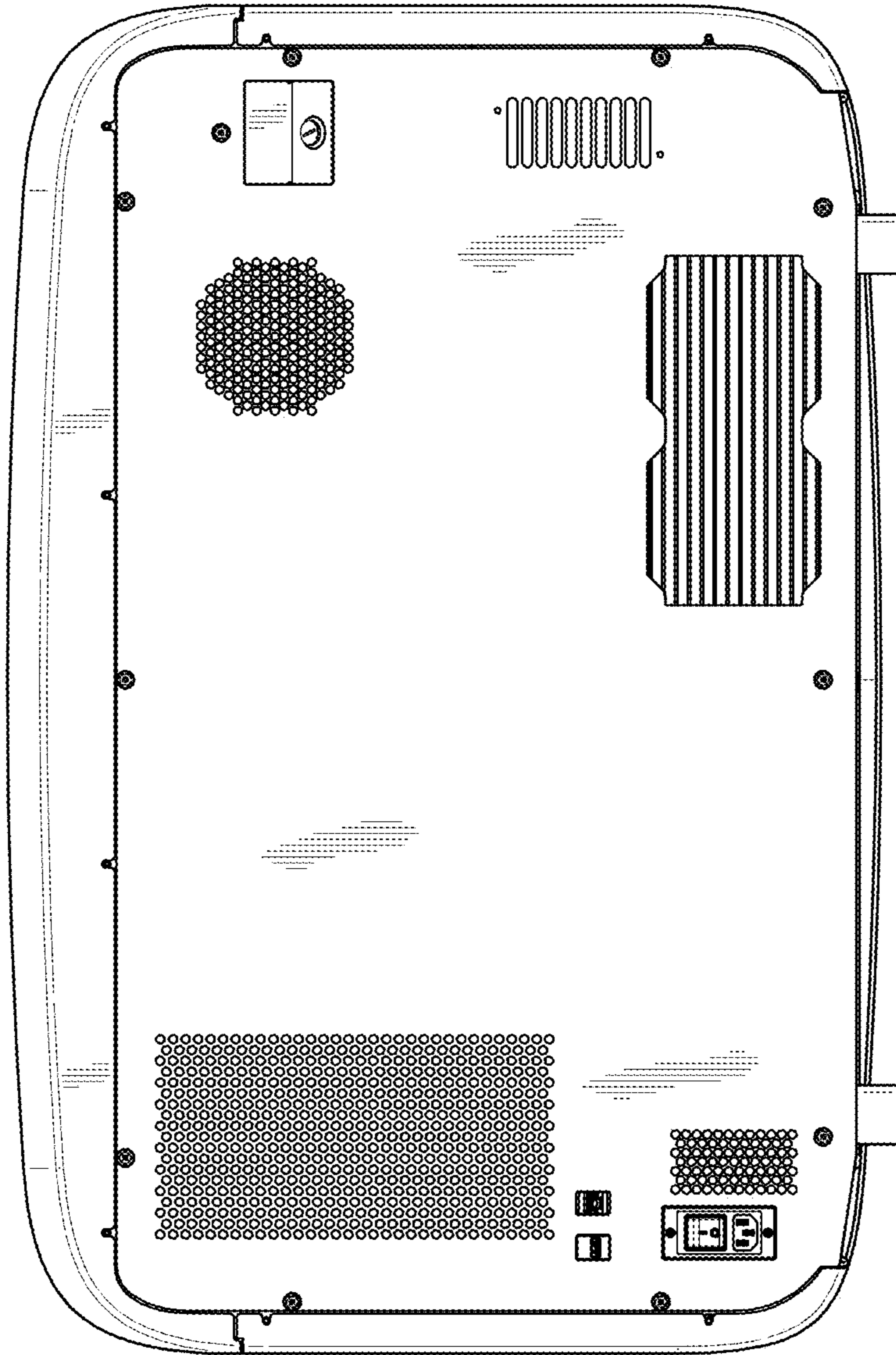


FIG. 4

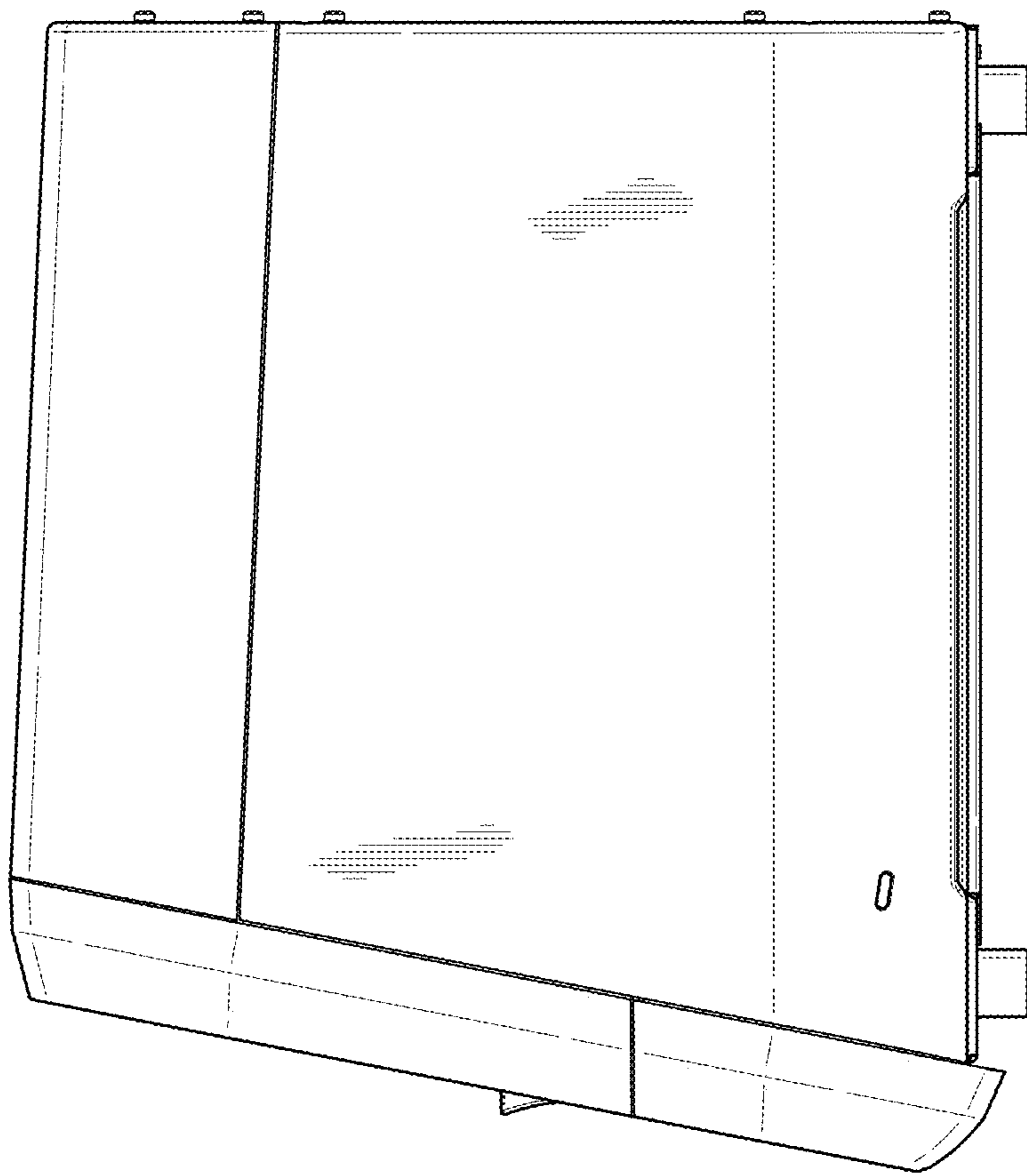


FIG. 5

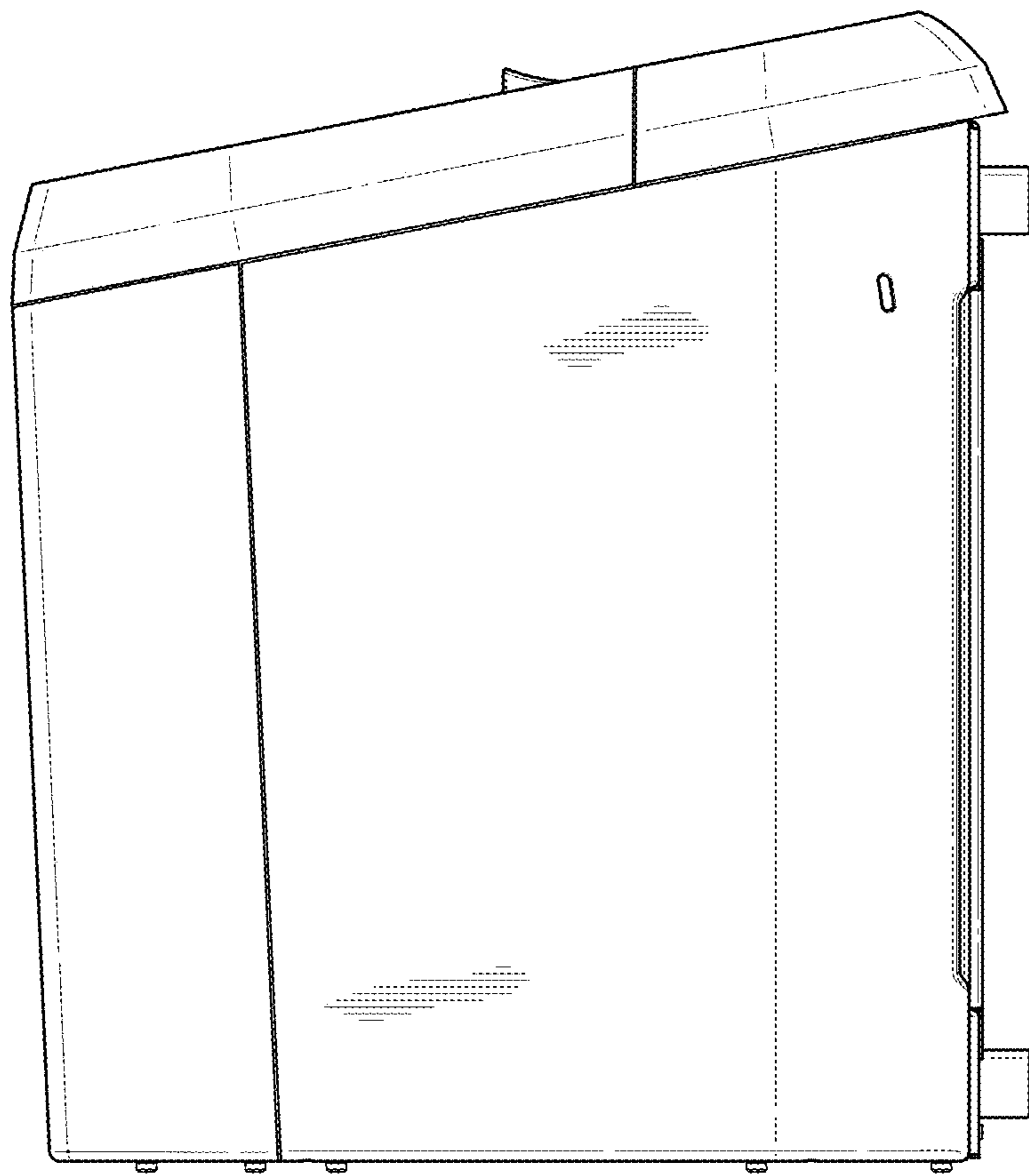


FIG. 6

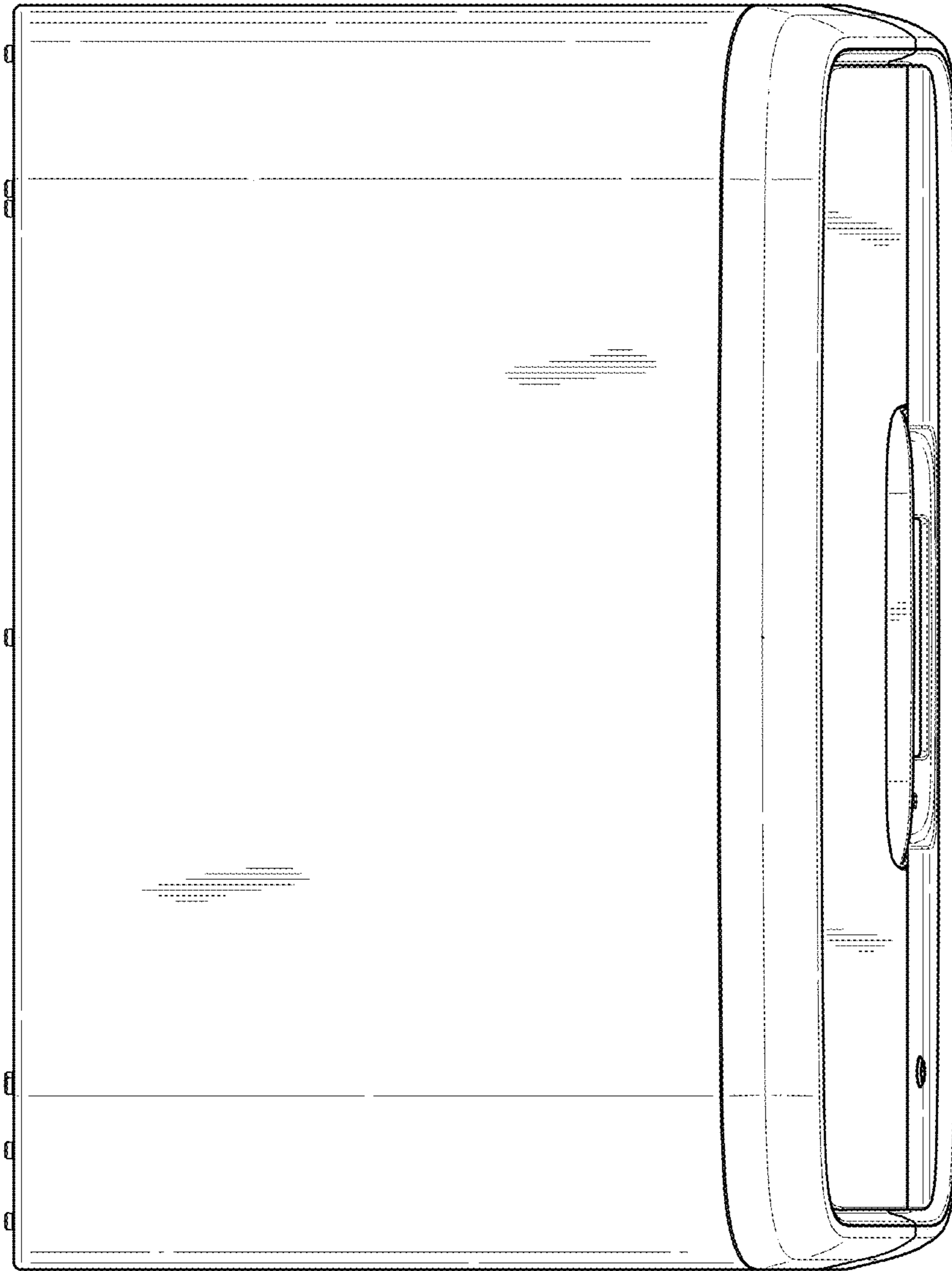


FIG. 7

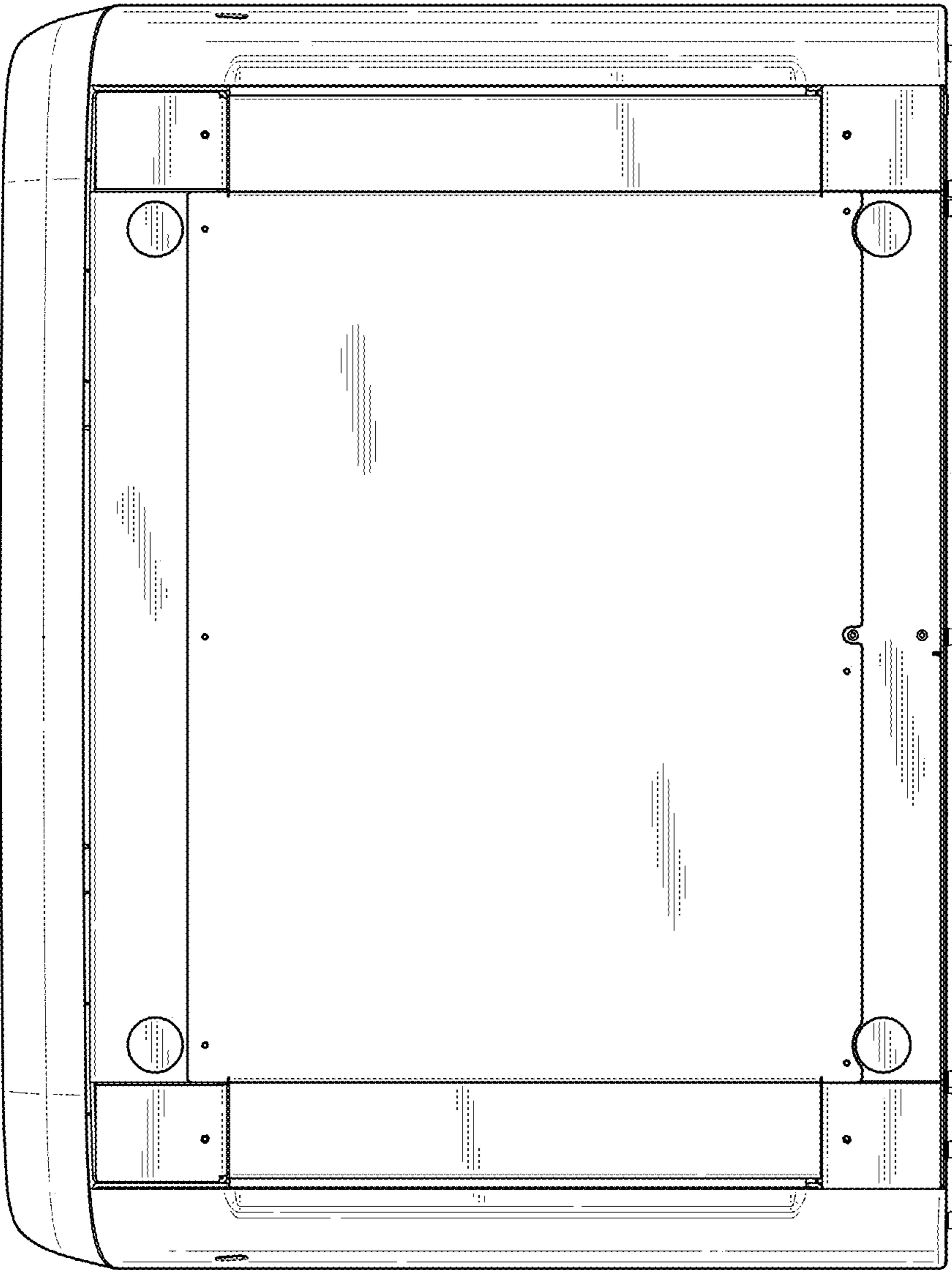


FIG. 8

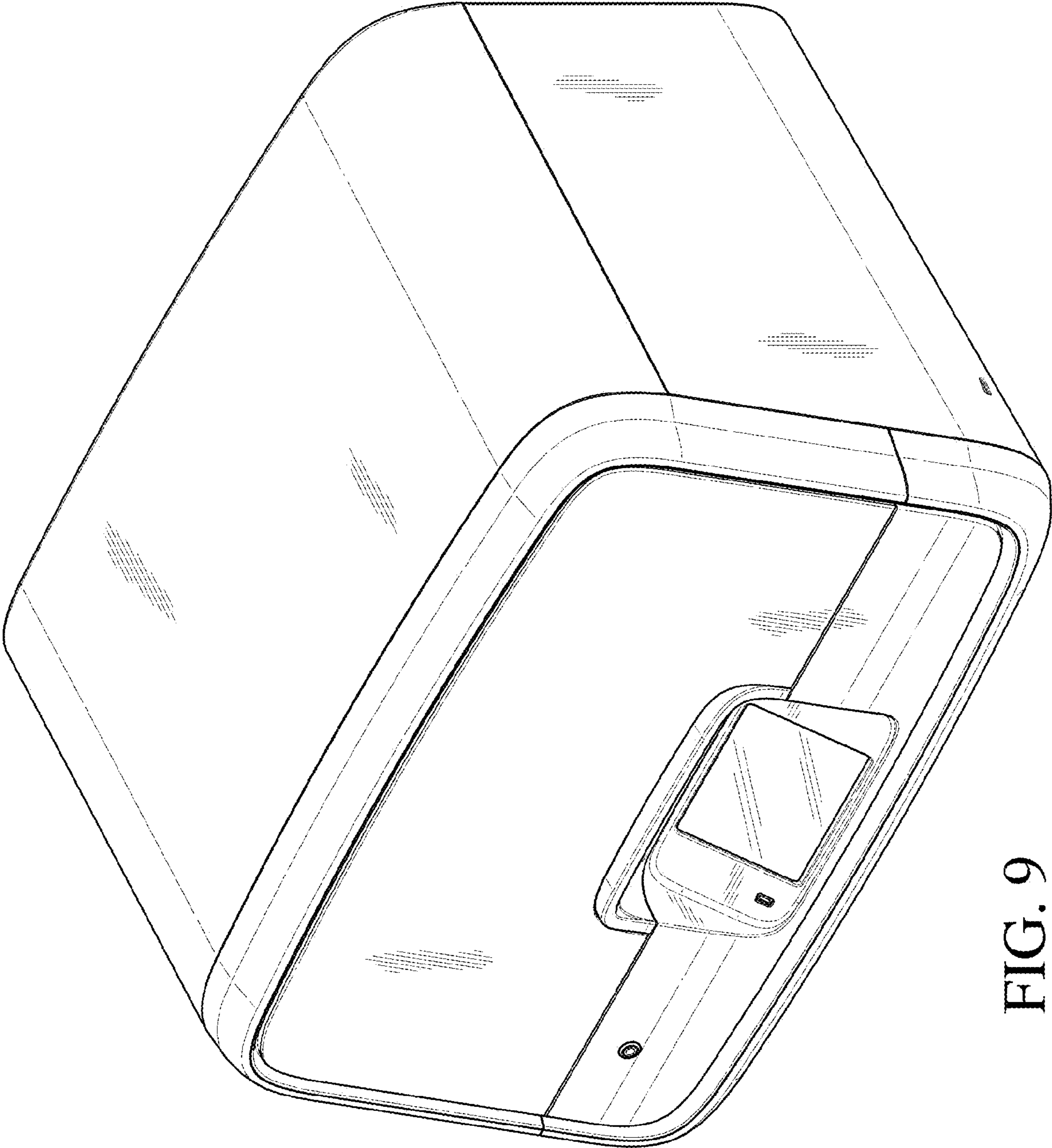


FIG. 9

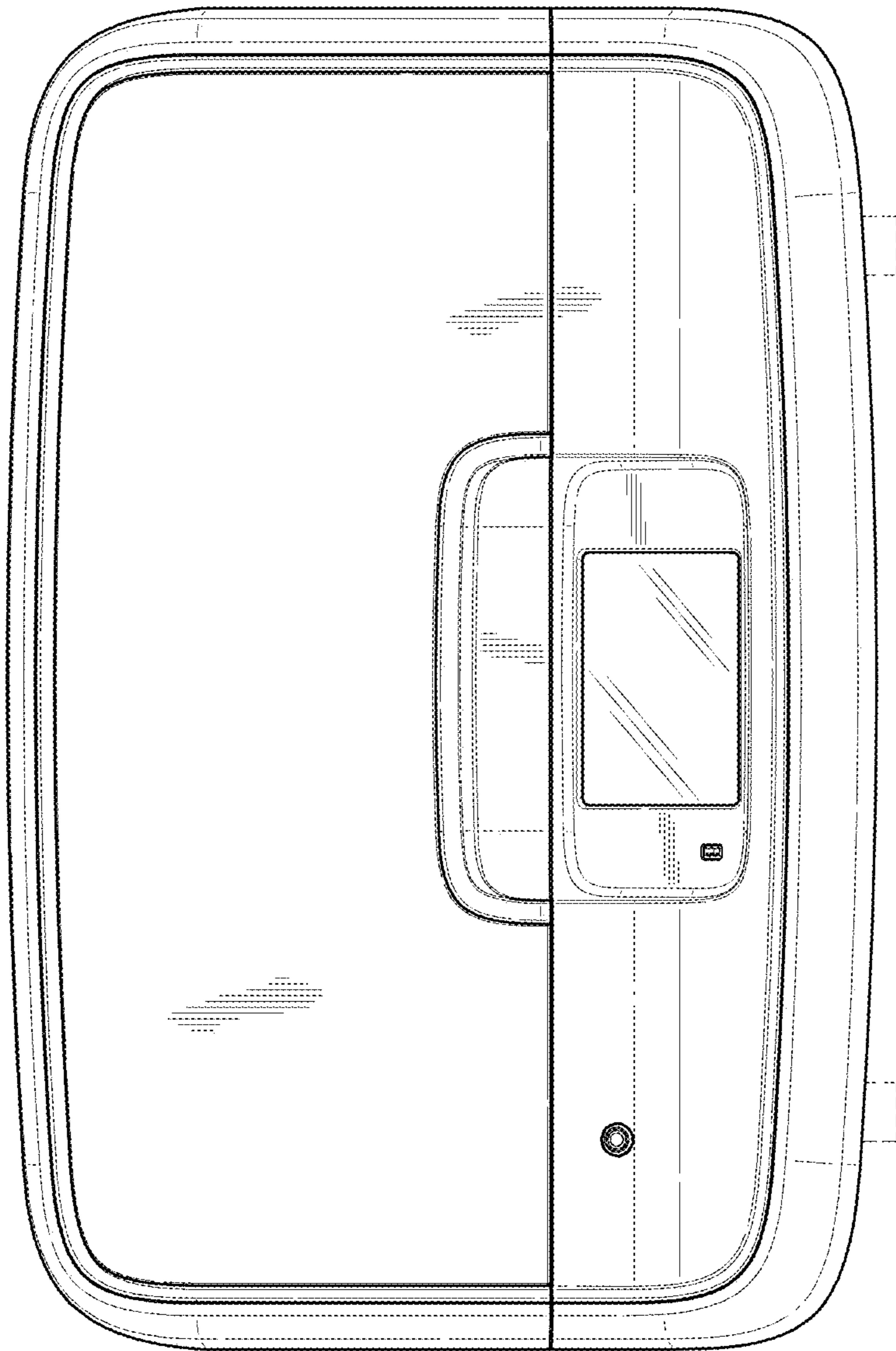


FIG. 10

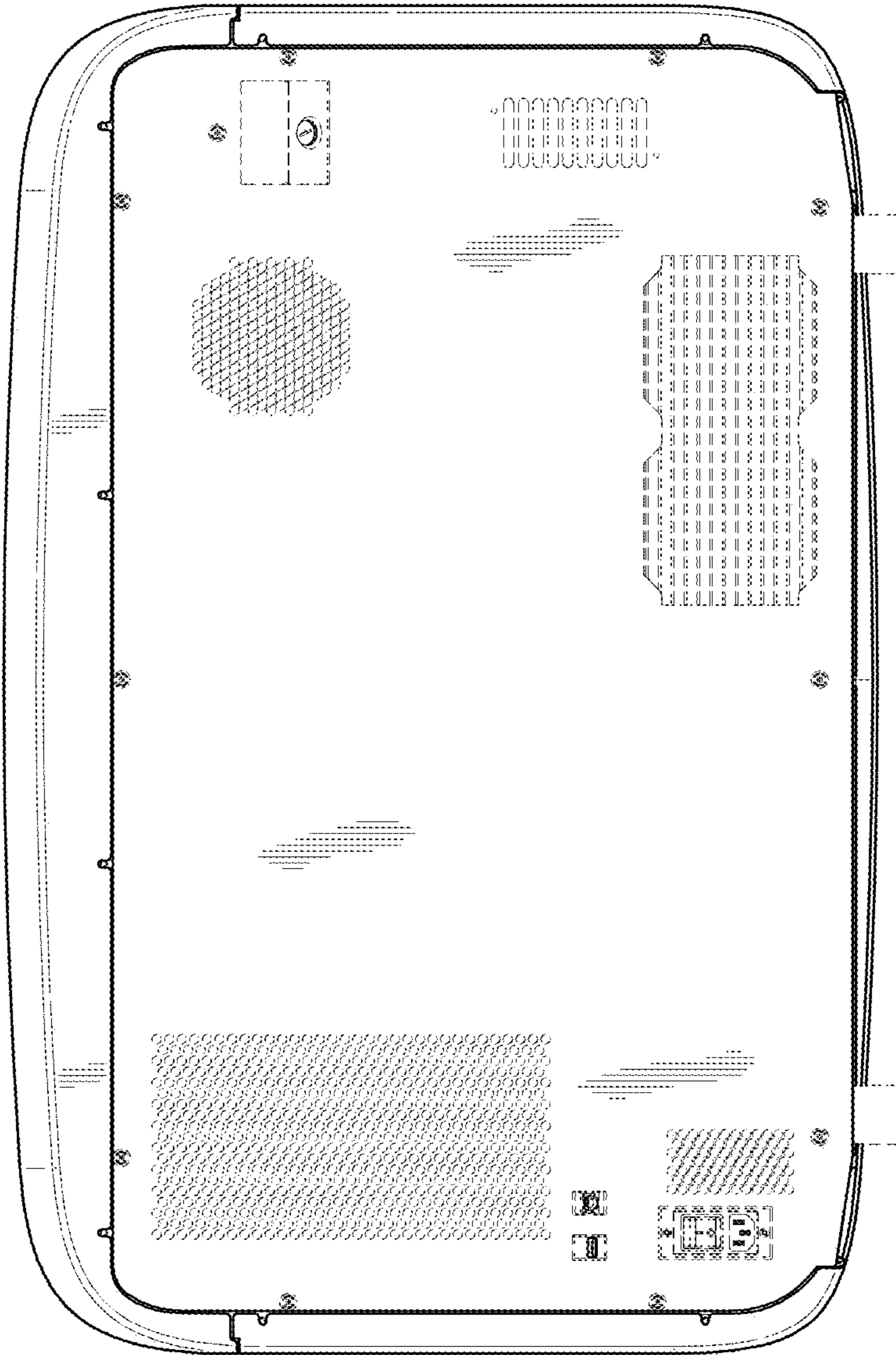


FIG. 11

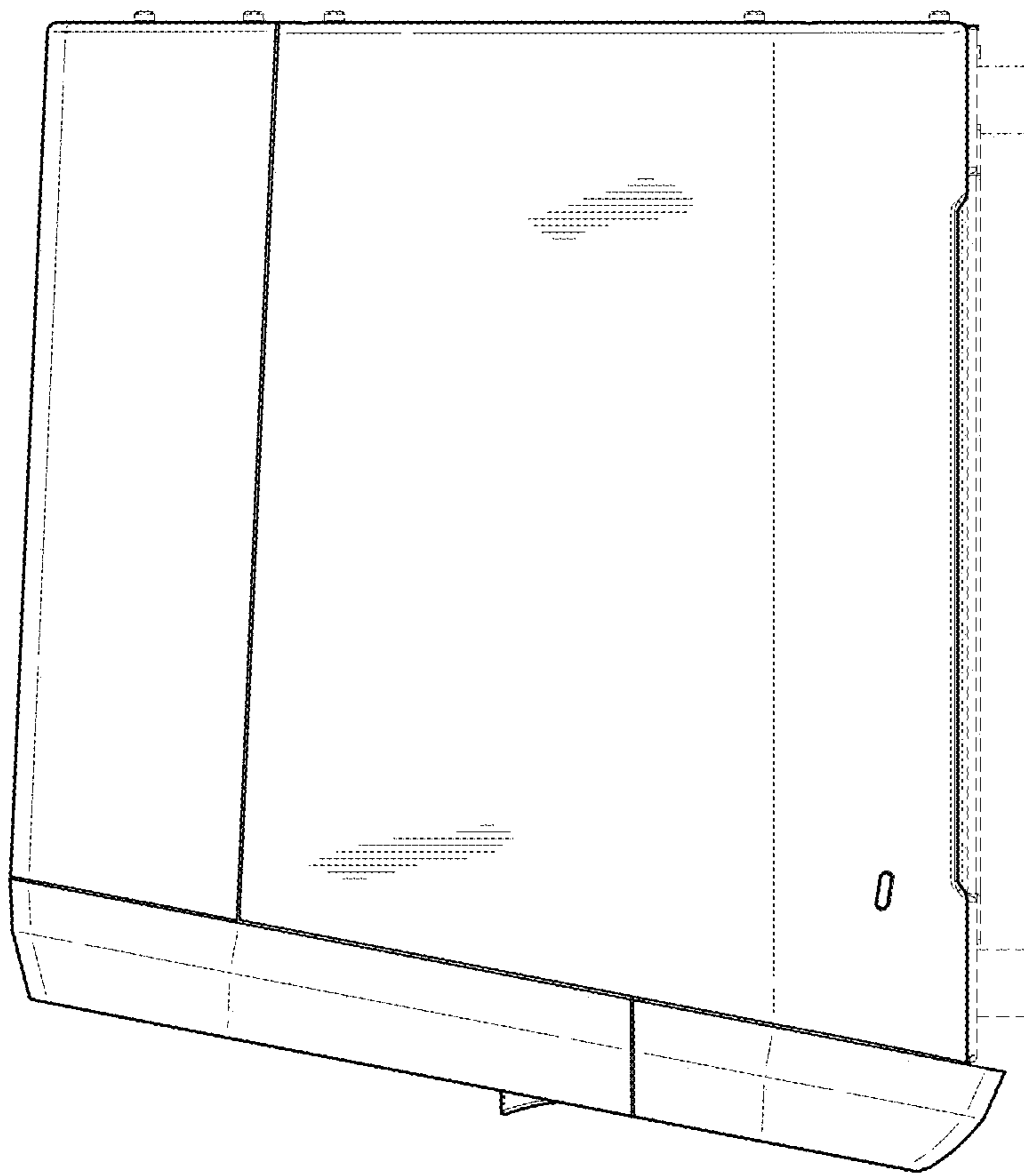


FIG. 12

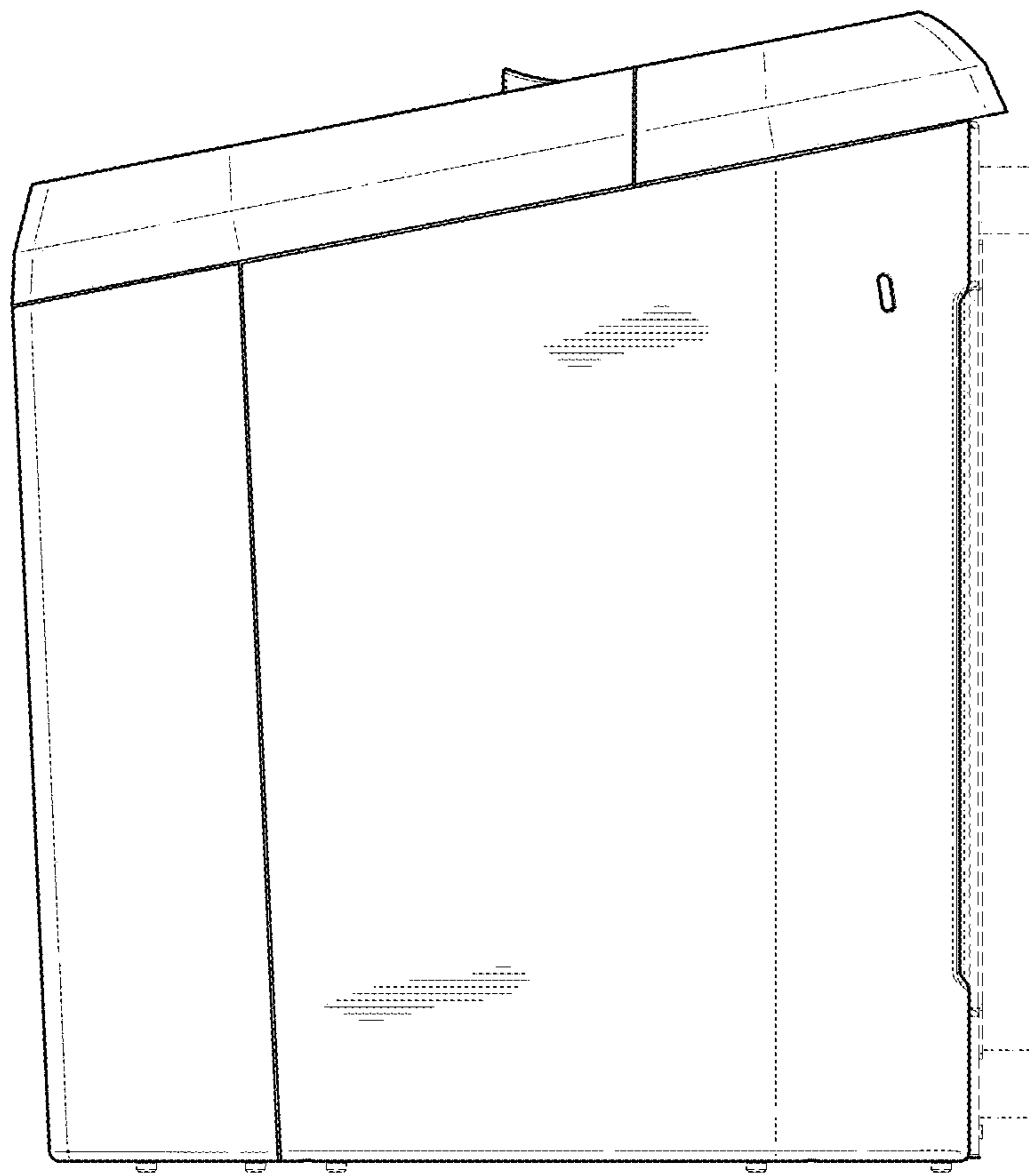


FIG. 13

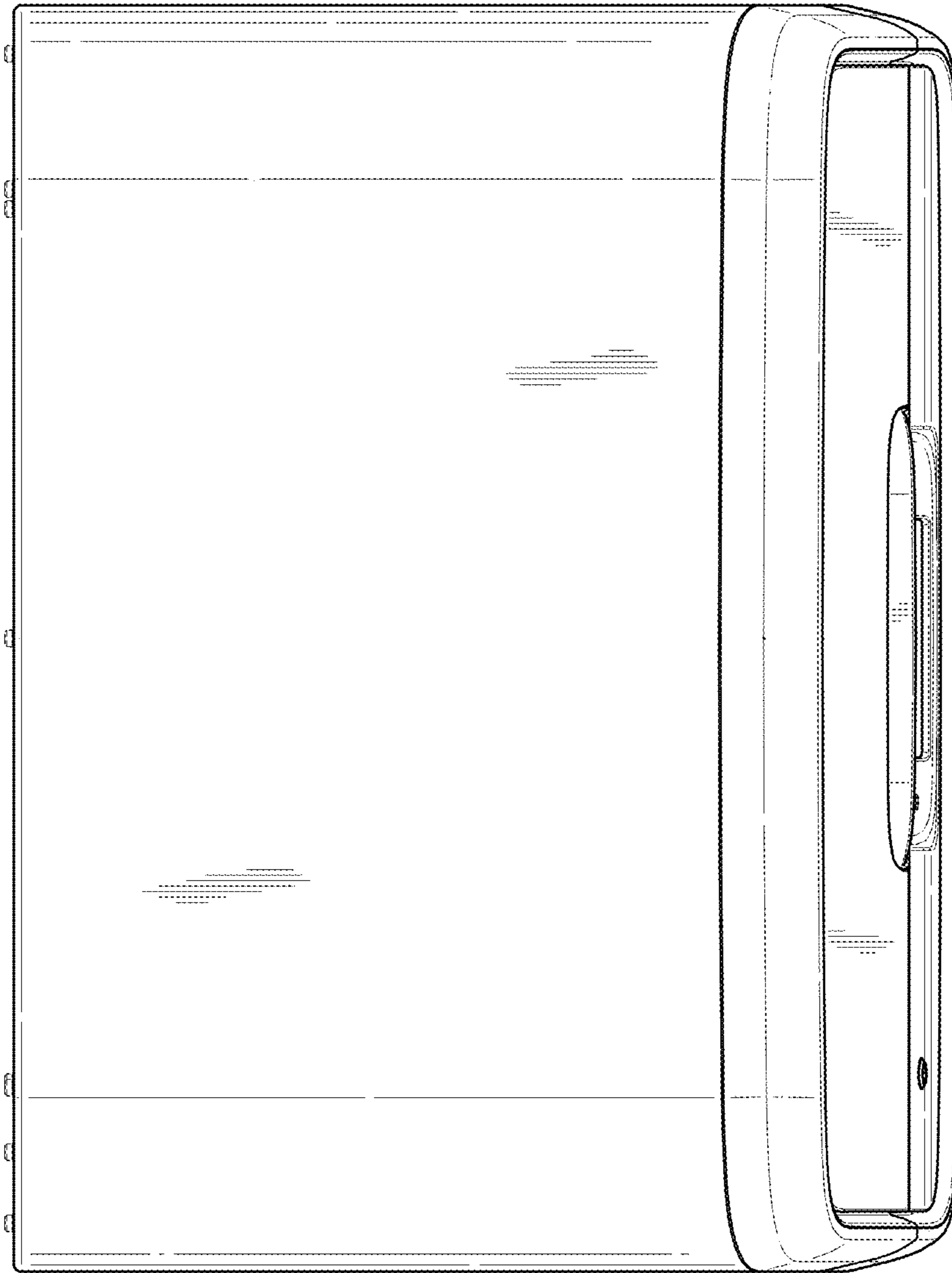


FIG. 14

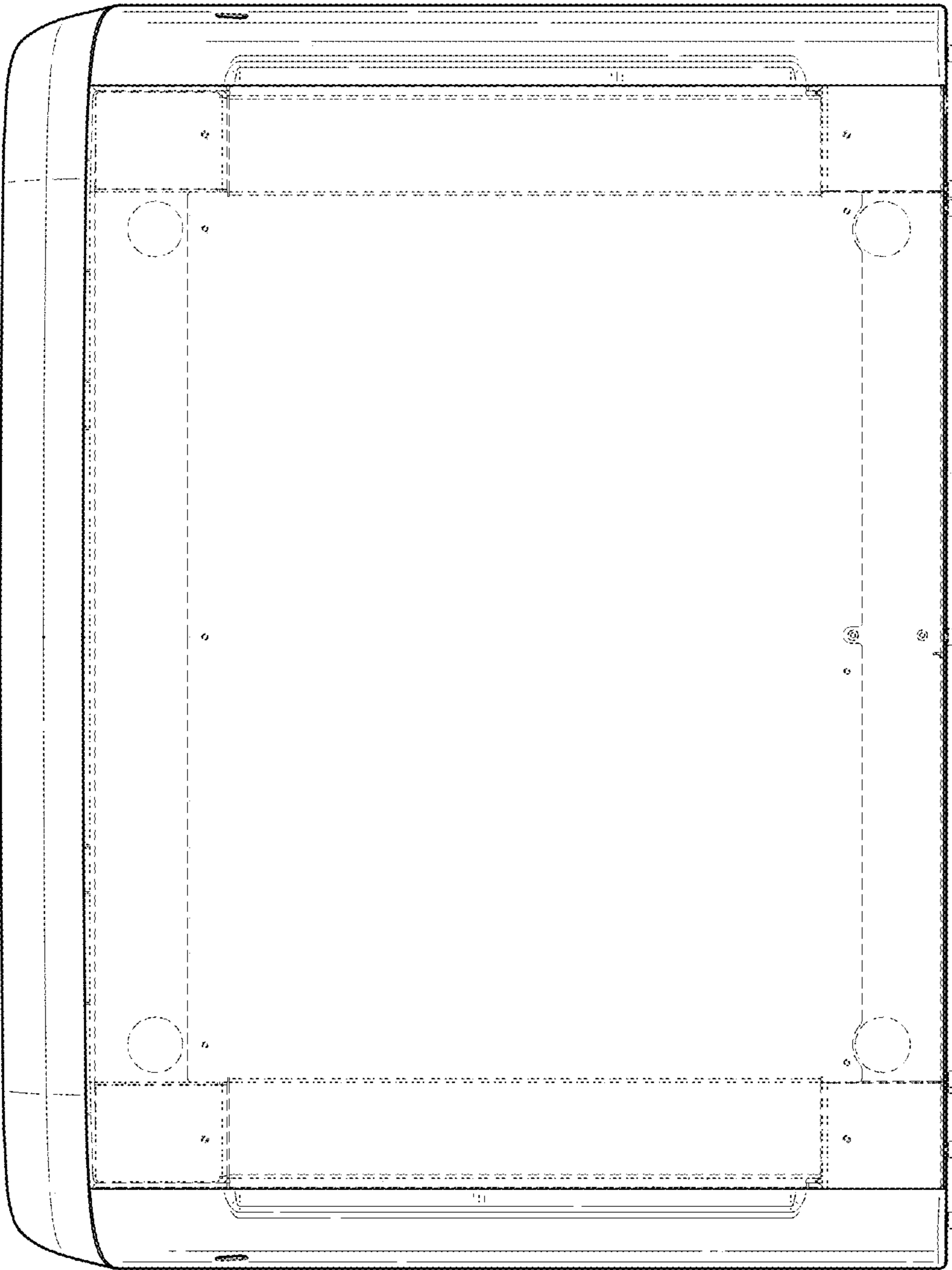


FIG. 15

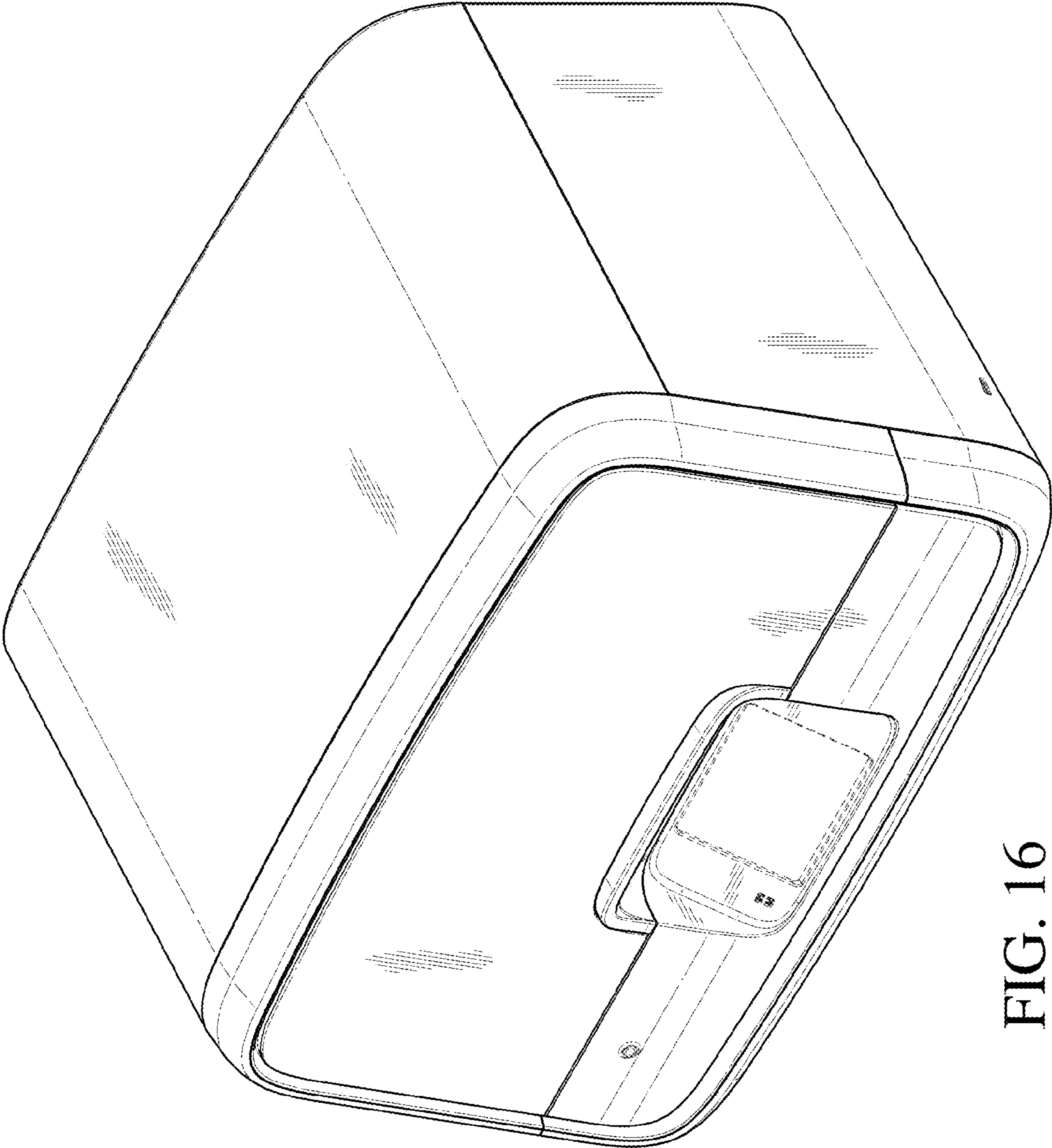


FIG. 16

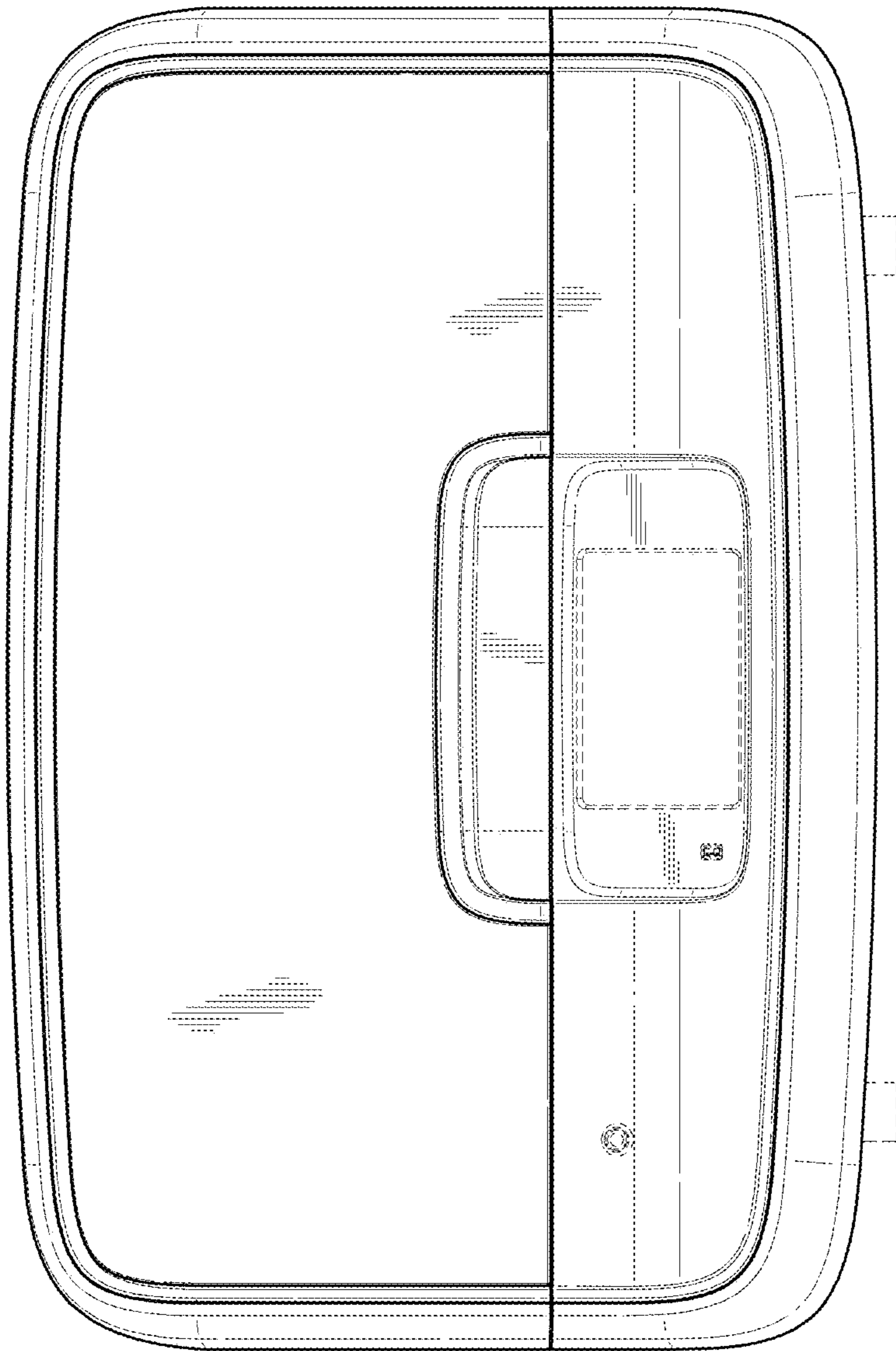


FIG. 17

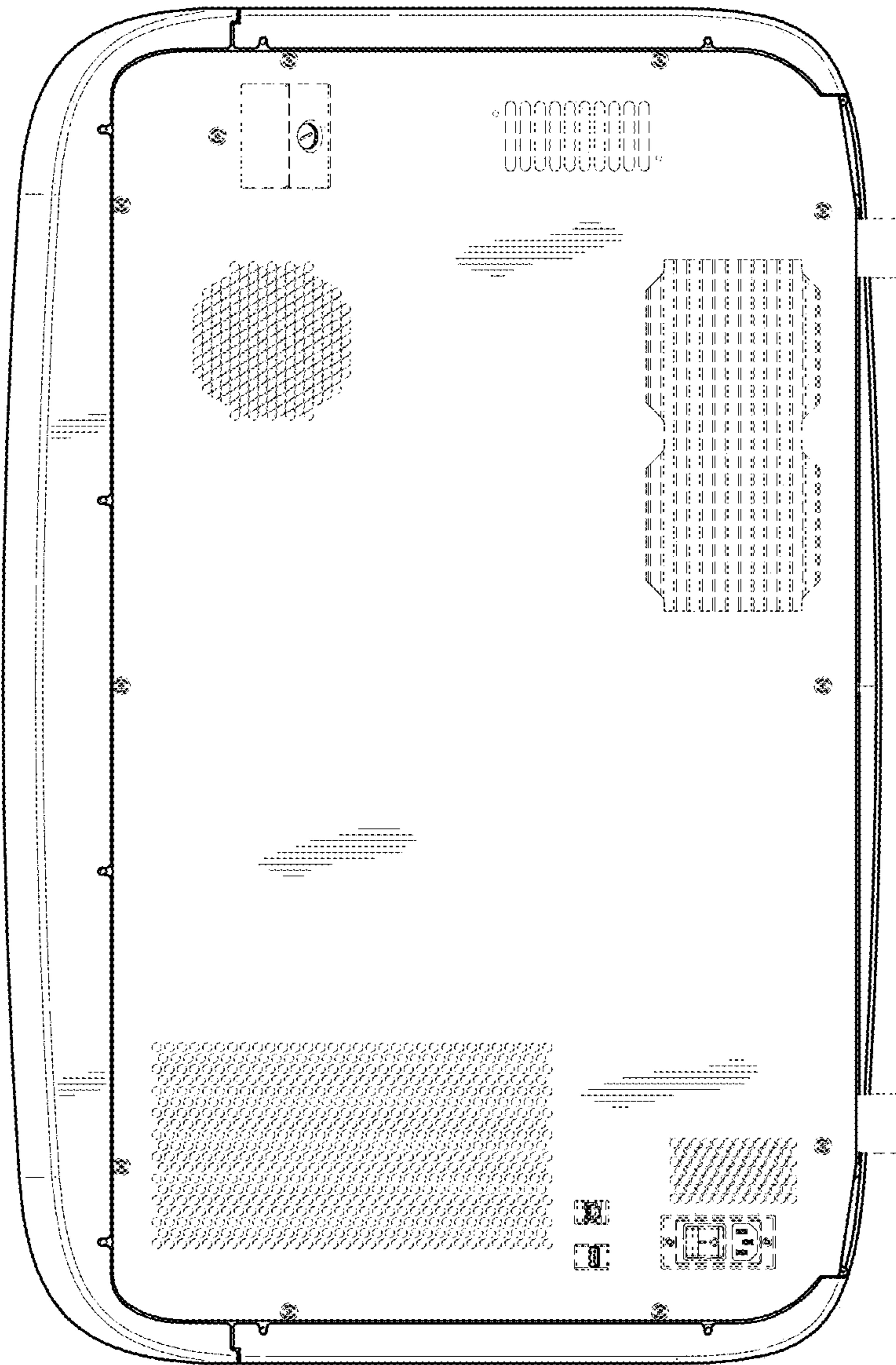


FIG. 18

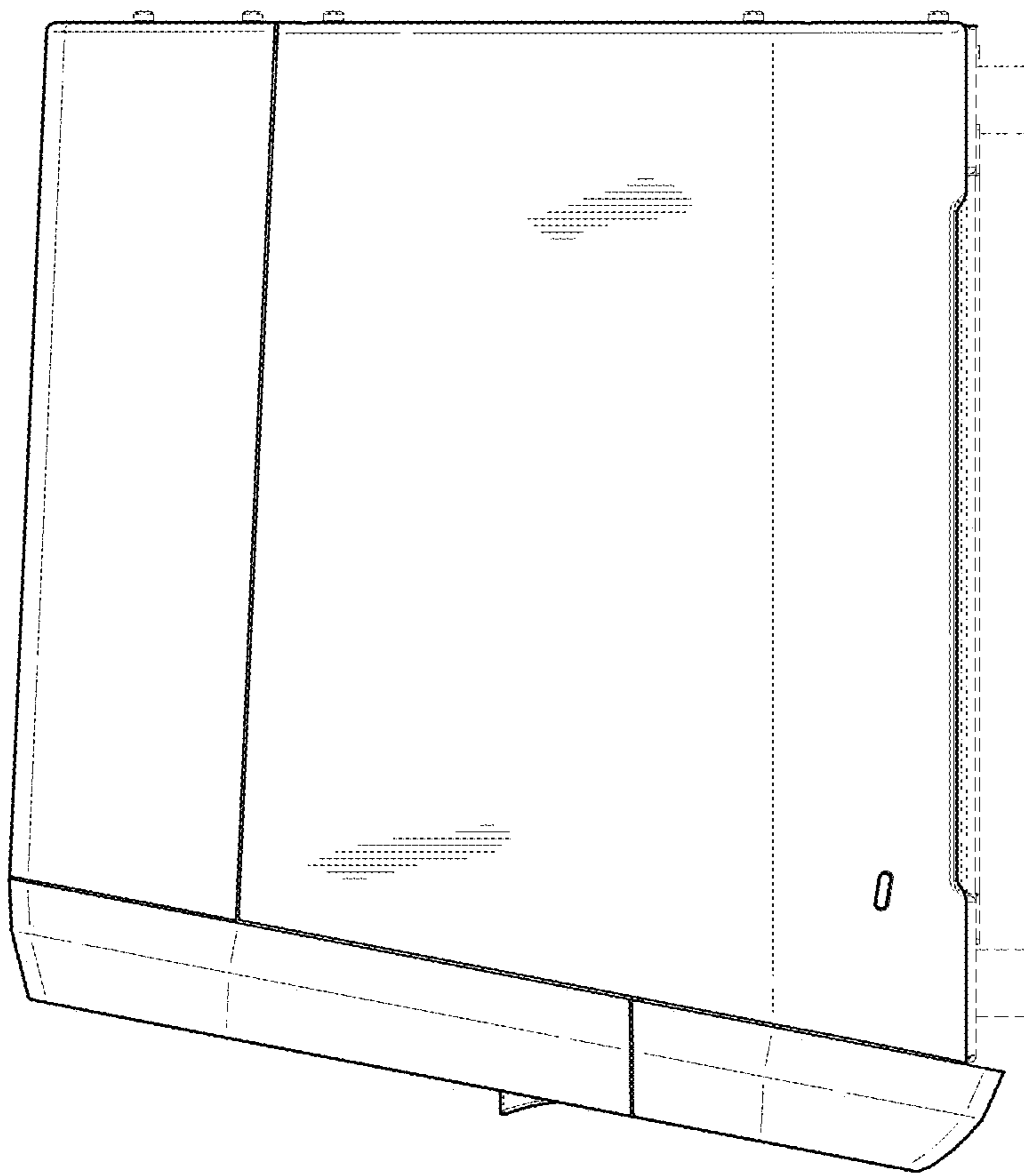


FIG. 19

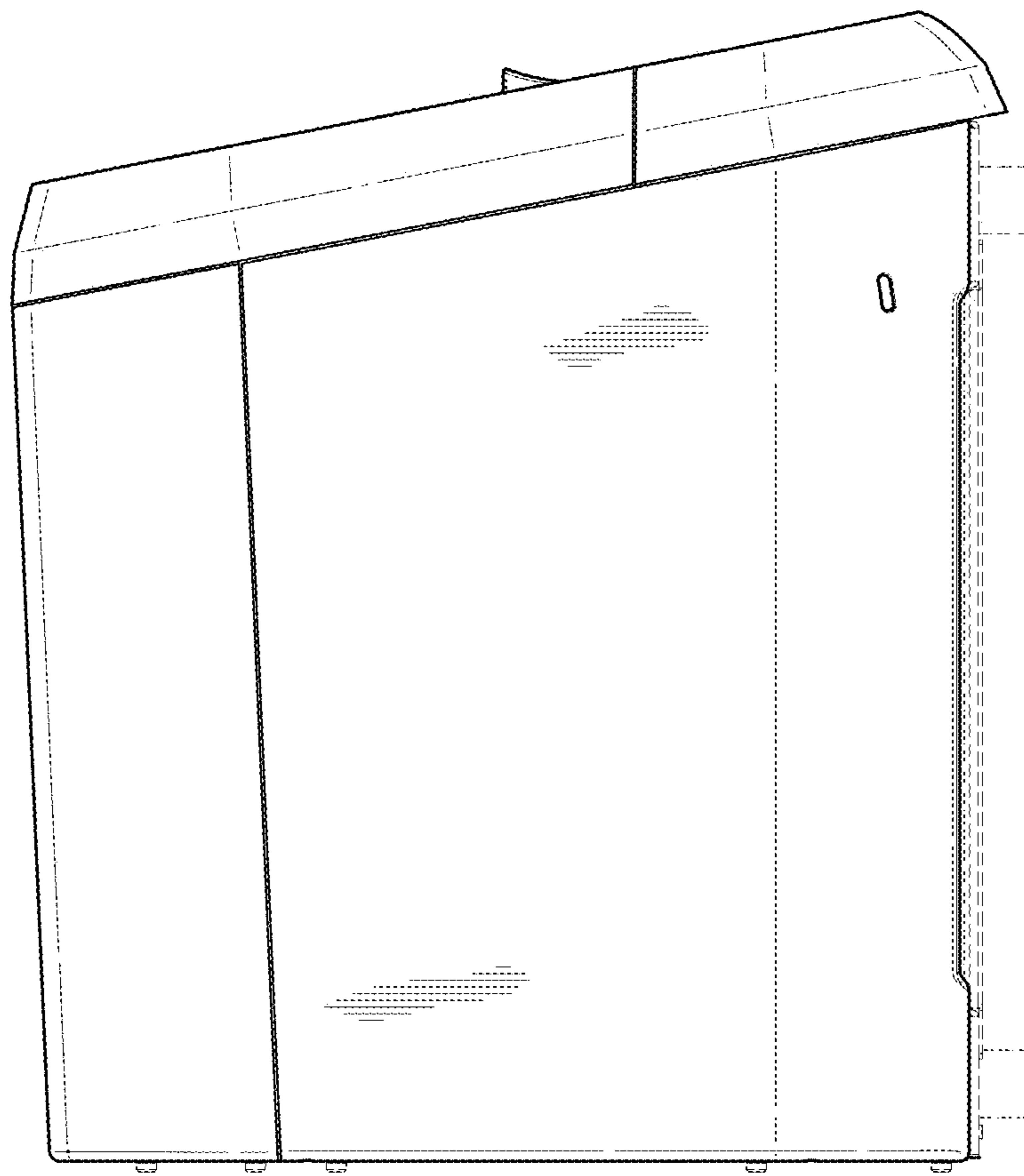


FIG. 20

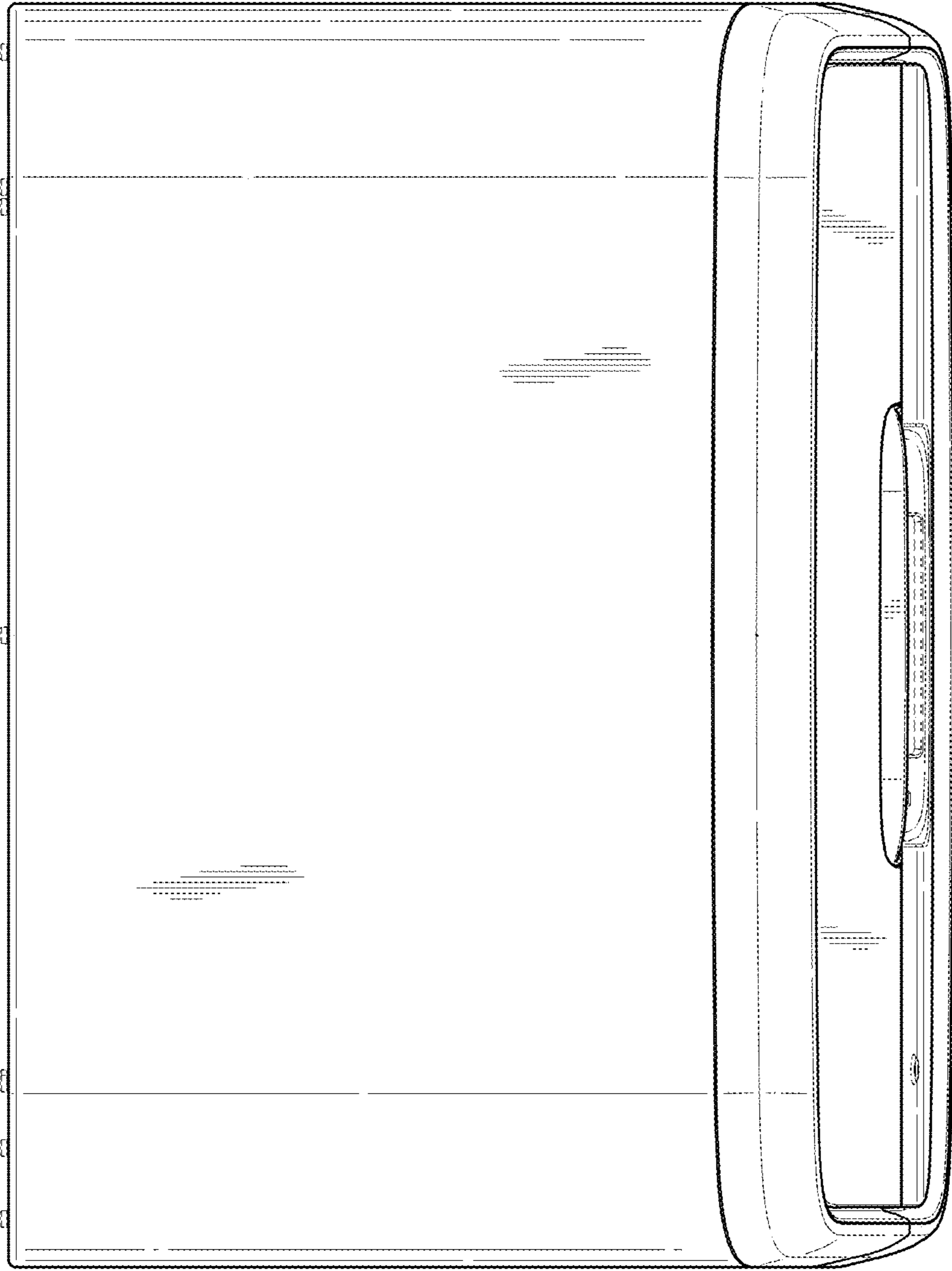


FIG. 21

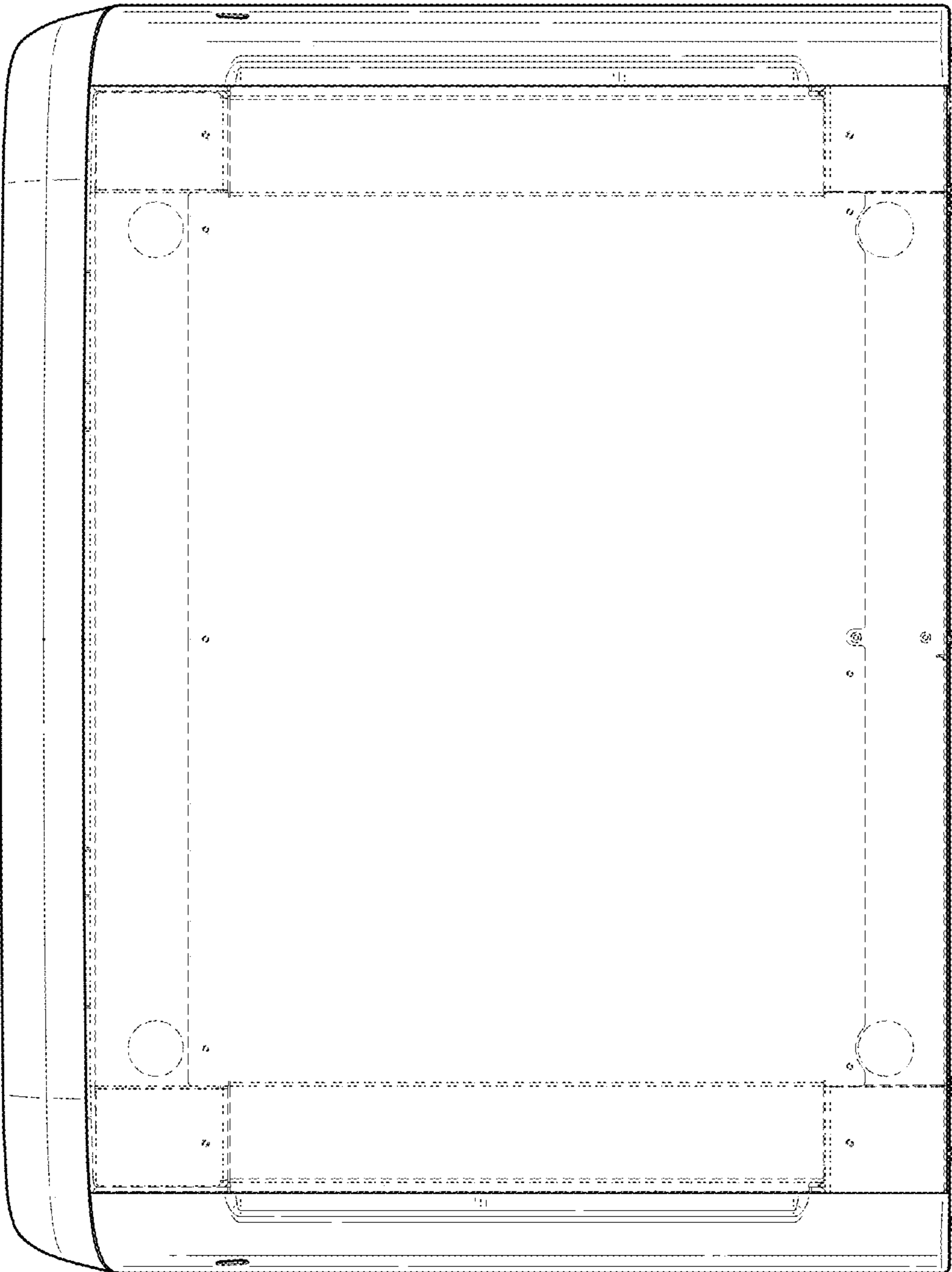


FIG. 22