



US00D914905S

(12) **United States Design Patent**
Wade

(10) **Patent No.:** **US D914,905 S**

(45) **Date of Patent:** **** Mar. 30, 2021**

(54) **SAMPLE PROCESSING INSTRUMENT**

(71) Applicant: **LUMINEX CORPORATION**, Austin, TX (US)

(72) Inventor: **Lucas Wade**, Round Rock, TX (US)

(73) Assignee: **LUMINEX CORPORATION**, Austin, TX (US)

(**) Term: **15 Years**

(21) Appl. No.: **29/700,323**

(22) Filed: **Aug. 1, 2019**

(51) **LOC (13) Cl.** **24-02**

(52) **U.S. Cl.**
USPC **D24/216**

(58) **Field of Classification Search**
USPC D13/103, 106, 107, 108, 109, 110, 112, D13/116, 118, 119, 123, 124, 184; D14/432, 434, 438; D24/107, 133, 144, D24/146, 158, 160, 216, 234
CPC H02M 7/00; G01N 2035/00306; G01N 33/5302
See application file for complete search history.

(56) **References Cited**

U.S. PATENT DOCUMENTS

7,546,957 B2 * 6/2009 Melnik G06Q 10/02 235/380
7,767,439 B2 * 8/2010 Oh G01N 21/0332 435/287.2
D694,888 S * 12/2013 Chung D24/169
D728,121 S * 4/2015 Cook D24/216
D728,125 S * 4/2015 Trigg D24/232
D756,913 S * 5/2016 Esses D13/107
D804,013 S * 11/2017 Carreon D24/107

(Continued)

FOREIGN PATENT DOCUMENTS

CN 201430335991 * 4/2015

OTHER PUBLICATIONS

“Luminex Verigene”. Found online Oct. 28, 2020 at youtube.com. Reference dated Mar. 4, 2019. Retrieved from https://www.youtube.com/watch?v=vpqviKllrPQ&feature=youtu.be. (Year: 2019).*

(Continued)

Primary Examiner — Kendra Leslie Hamilton

Assistant Examiner — Amanda Christensen

(74) *Attorney, Agent, or Firm* — Norton Rose Fulbright US LLP

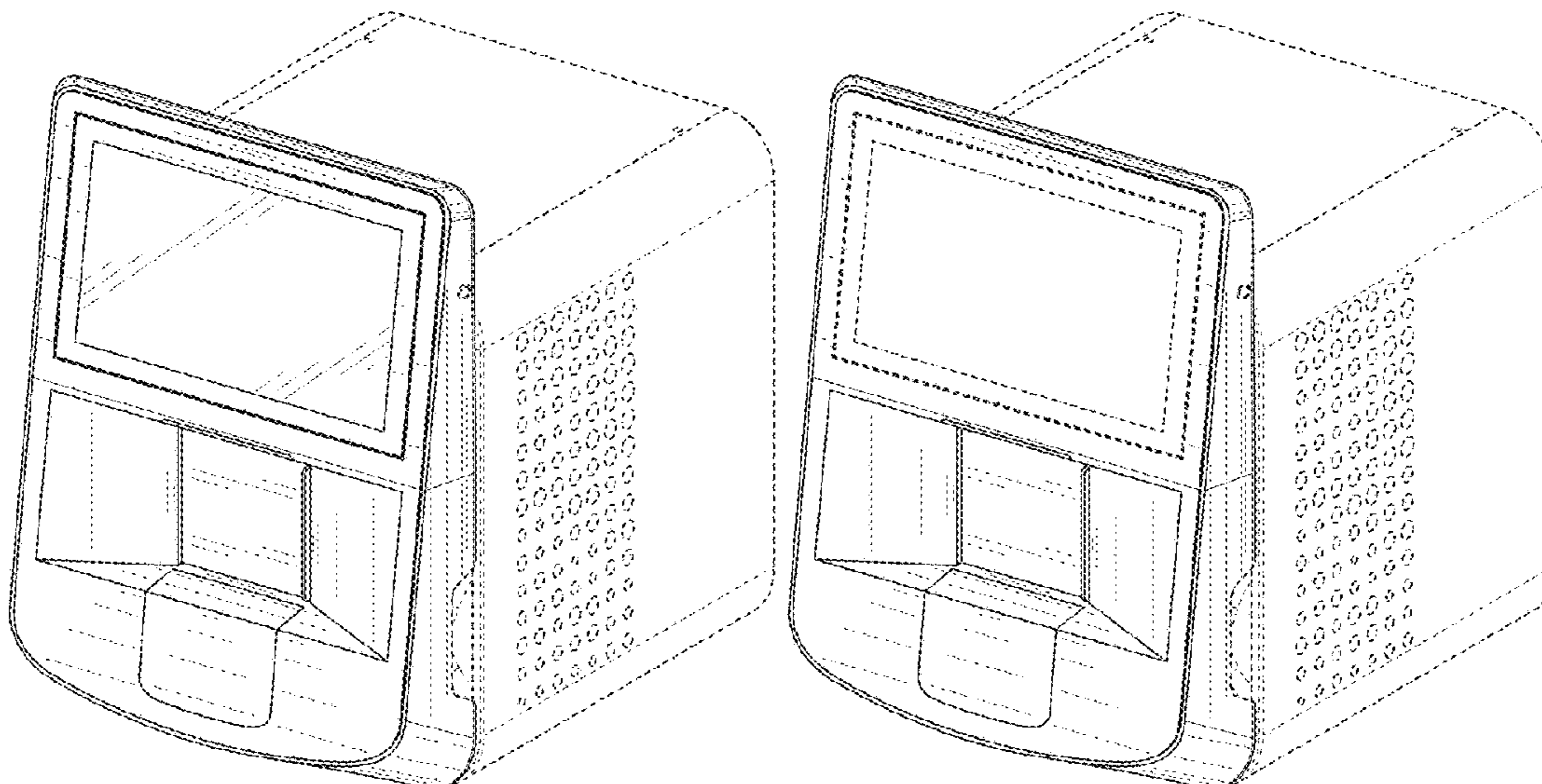
(57) **CLAIM**

The ornamental design for a sample processing instrument, as shown and described.

DESCRIPTION

FIG. 1 is a top, front, left side perspective view of a first embodiment of a sample processing instrument showing my new design;
FIG. 2 is a top, back, right side perspective view thereof;
FIG. 3 is a front elevation view thereof;
FIG. 4 is a back elevation view thereof;
FIG. 5 is a right side elevation view thereof;
FIG. 6 is a left side elevation view thereof;
FIG. 7 is a top plan view thereof;
FIG. 8 is a top, front, left side perspective view of a second embodiment of a sample processing instrument showing my new design;
FIG. 9 is a top, back, right side perspective view thereof;
FIG. 10 is a front elevation view thereof;
FIG. 11 is a back elevation view thereof;
FIG. 12 is a right side elevation view thereof;
FIG. 13 is a left side elevation view thereof; and,
FIG. 14 is a top plan view thereof.
In the drawings, the broke lines depict portions of the sample processing instrument that form no part of the claimed design.

1 Claim, 14 Drawing Sheets



(56)

References Cited

U.S. PATENT DOCUMENTS

D822,222 S * 7/2018 Smith D24/216
 D830,210 S * 10/2018 Ihara D10/81
 D866,796 S * 11/2019 Mellett D24/234
 D873,262 S * 1/2020 Fernando D14/307
 D888,267 S * 6/2020 Salomon D24/216
 2016/0290866 A1 * 10/2016 Kielhorn G01N 21/645

OTHER PUBLICATIONS

“QuantumMDx Q-POC”. Found online Oct. 28, 2020 at twitter.com. Reference dated Dec. 1, 2014. Retrieved from <https://twitter.com/elainewarburton/status/539348080844636160/photo/1>. (Year: 2014).*

“Luminex Systems”. Found online Oct. 28, 2020 at sec.gov. Reference dated Jan. 2017. Retrieved from <https://www.sec.gov/Archives/edgar/data/1033905/000103390517000007/jpm2017investorpresentation.pdf>. (Year: 2017).*

“MeMed POC Platform.” Found online Oct. 28, 2020 at clinicalomics. Reference dated Feb. 16, 2018. Retrieved from <https://www.clinicalomics.com/topics/translational-research/bacterial-diseases/memed-wins-4-1m-dod-grant-toward-manufacturing-of-poc-platform/>. (Year: 2018).*

Shamir, Nachum, “Investor Presentation Q2 2019” Luminex Corporation, 2019, 28 pages.

* cited by examiner

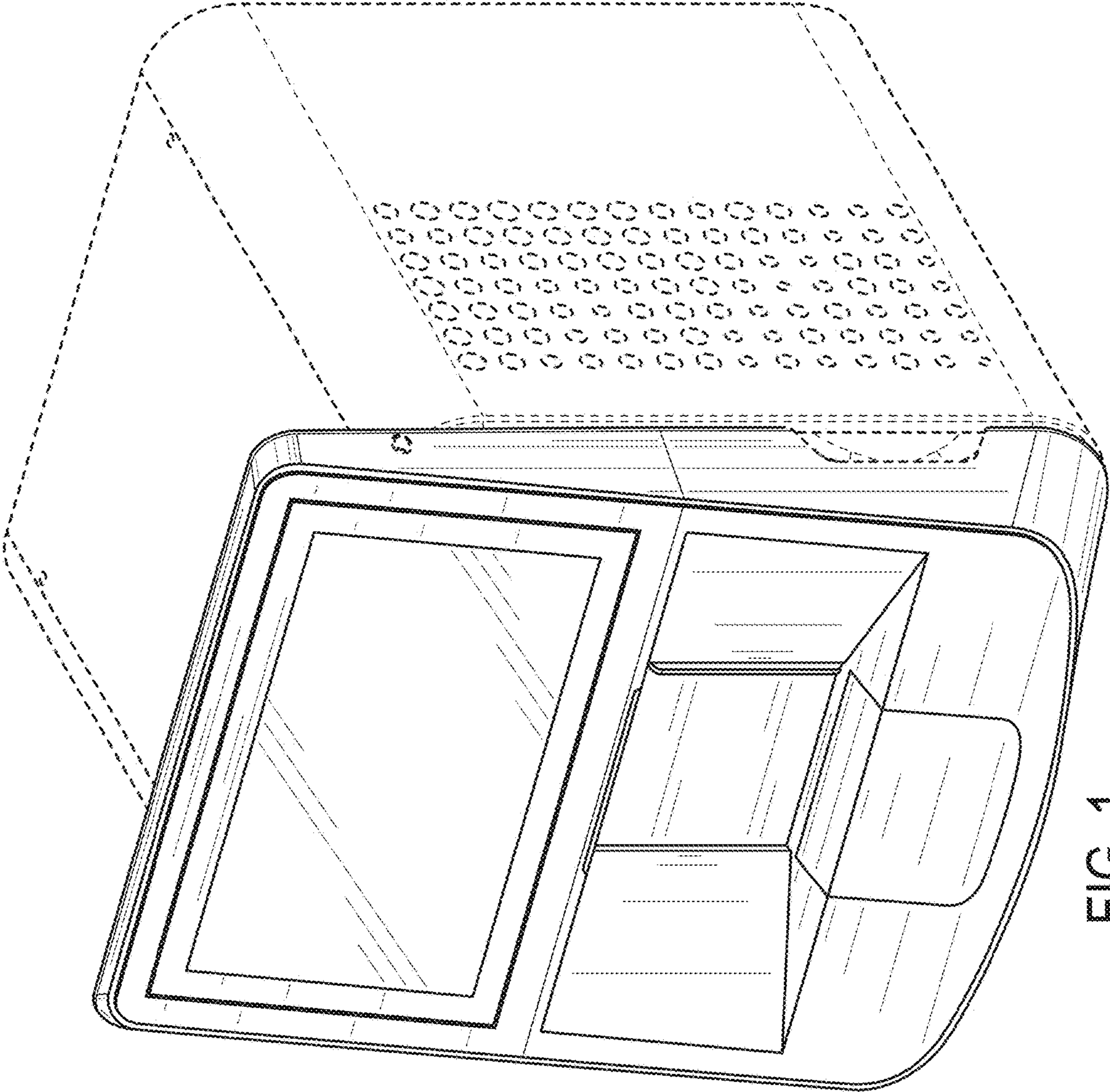


FIG. 1

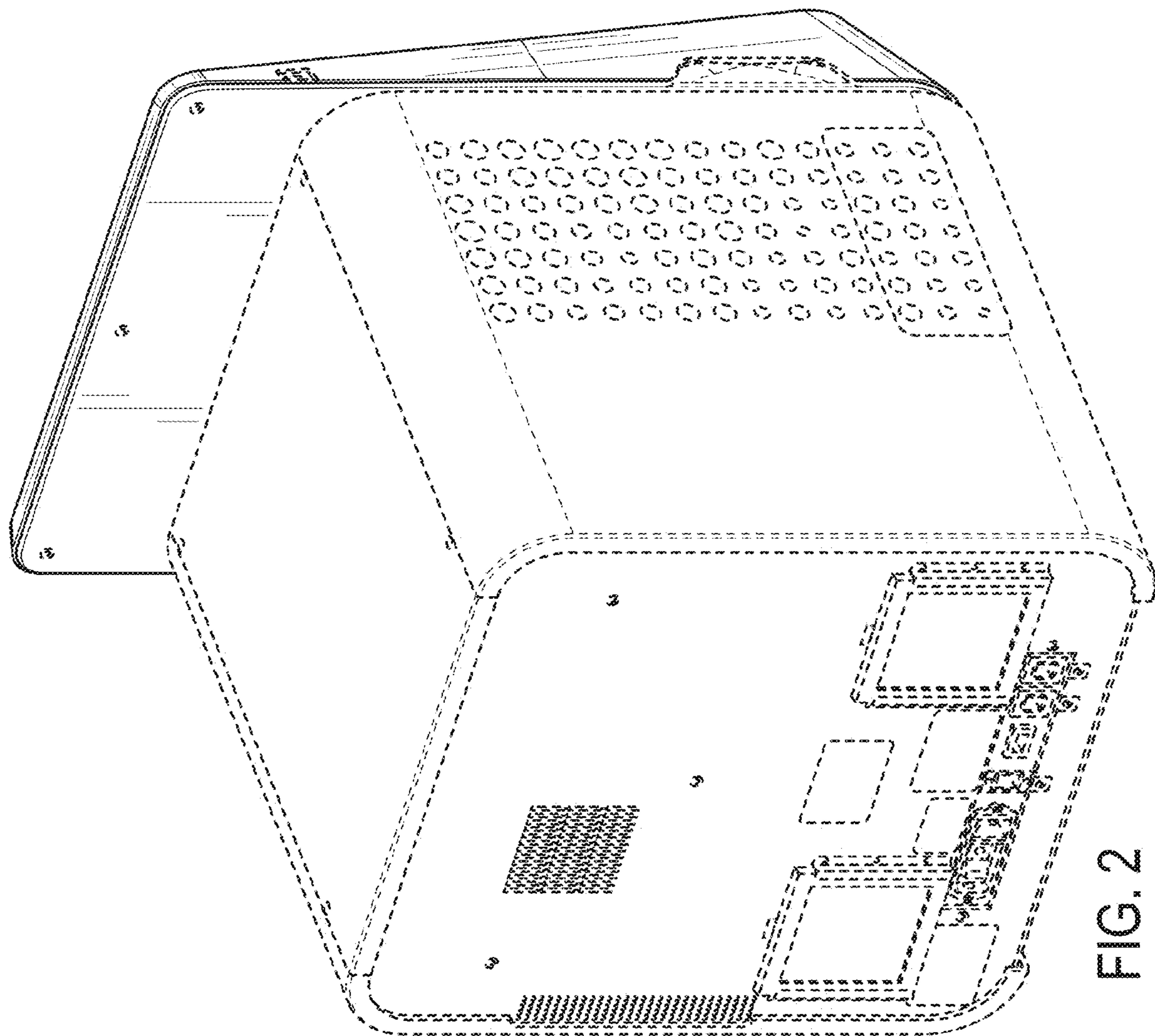


FIG. 2

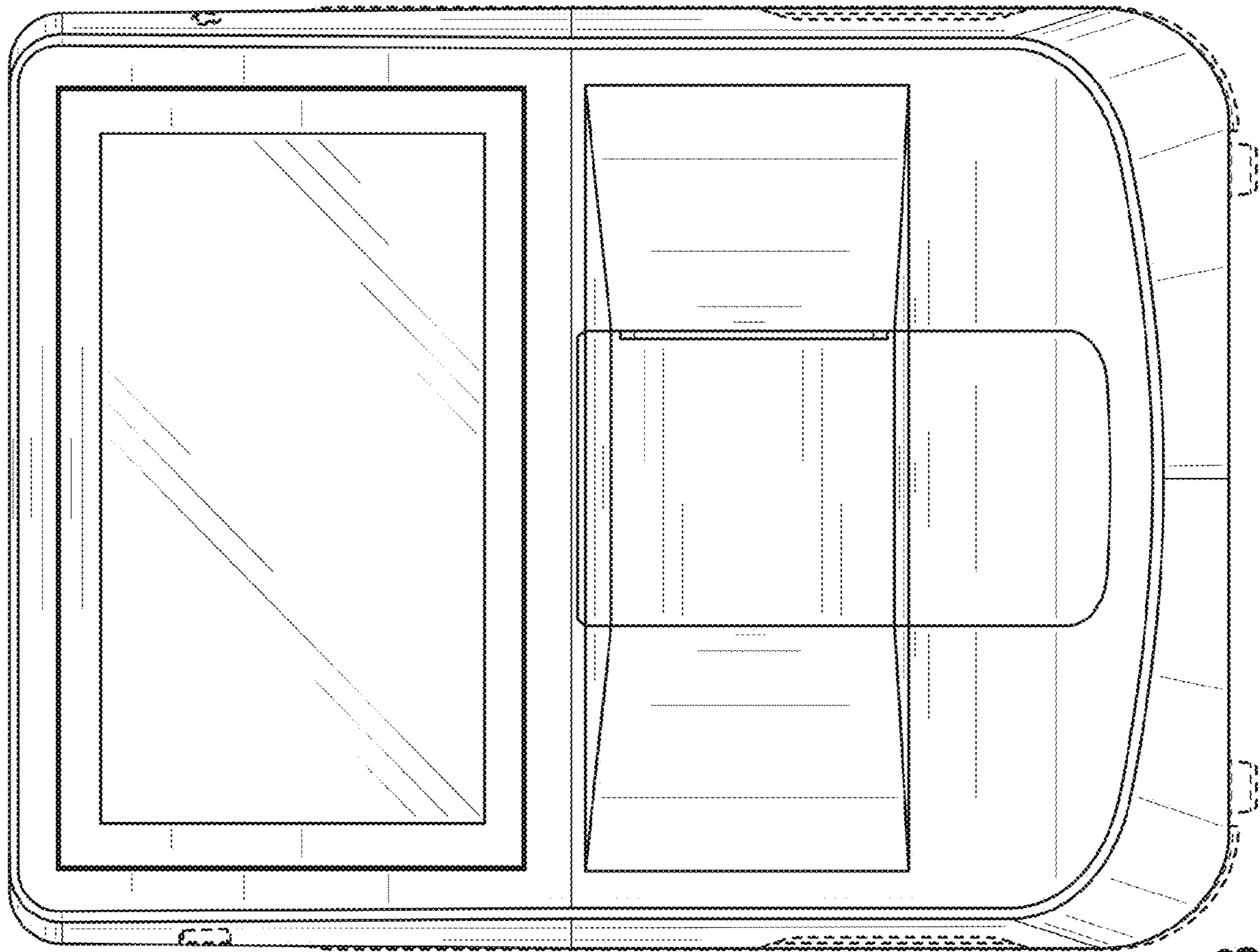


FIG. 3

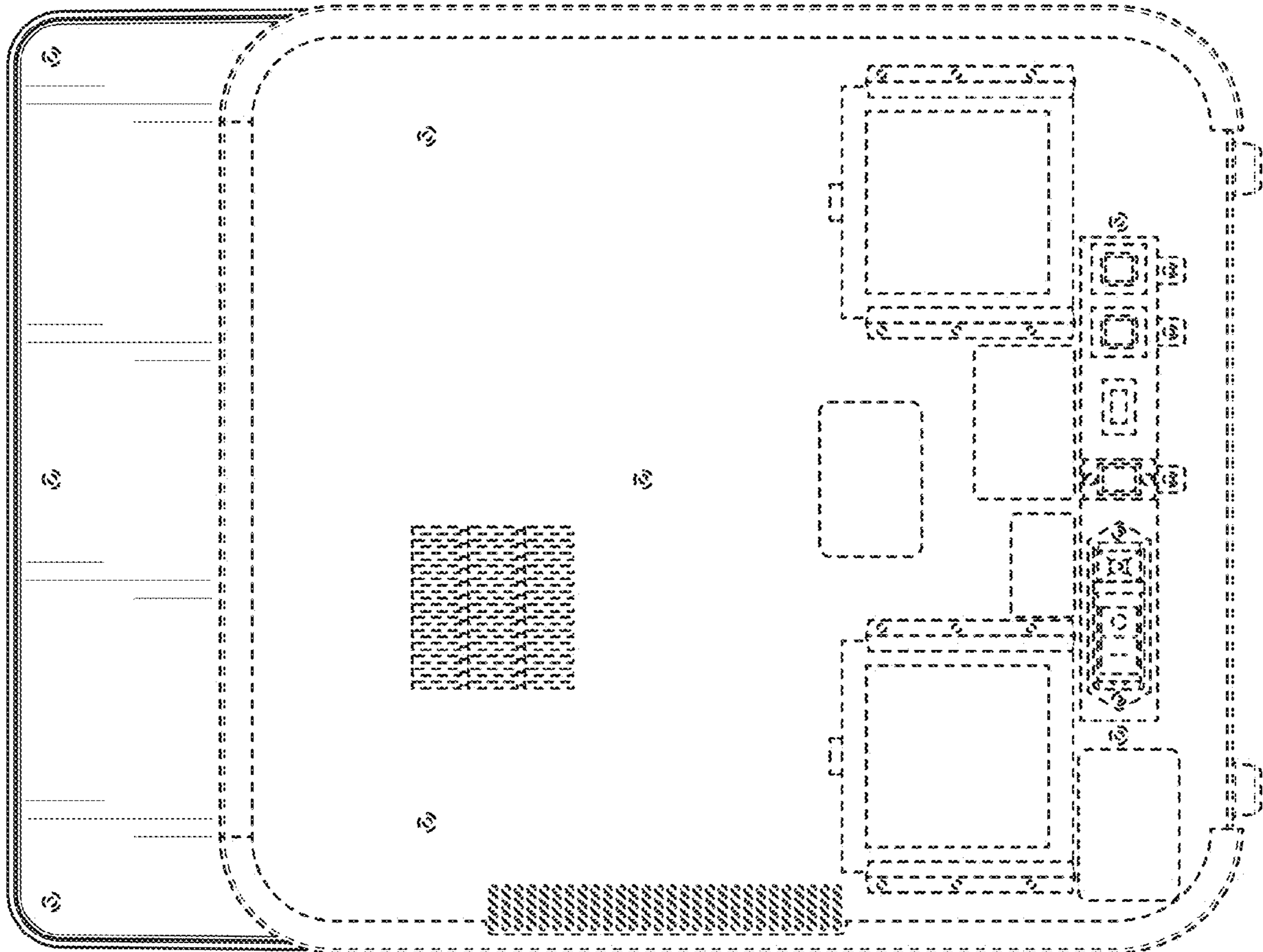


FIG. 4

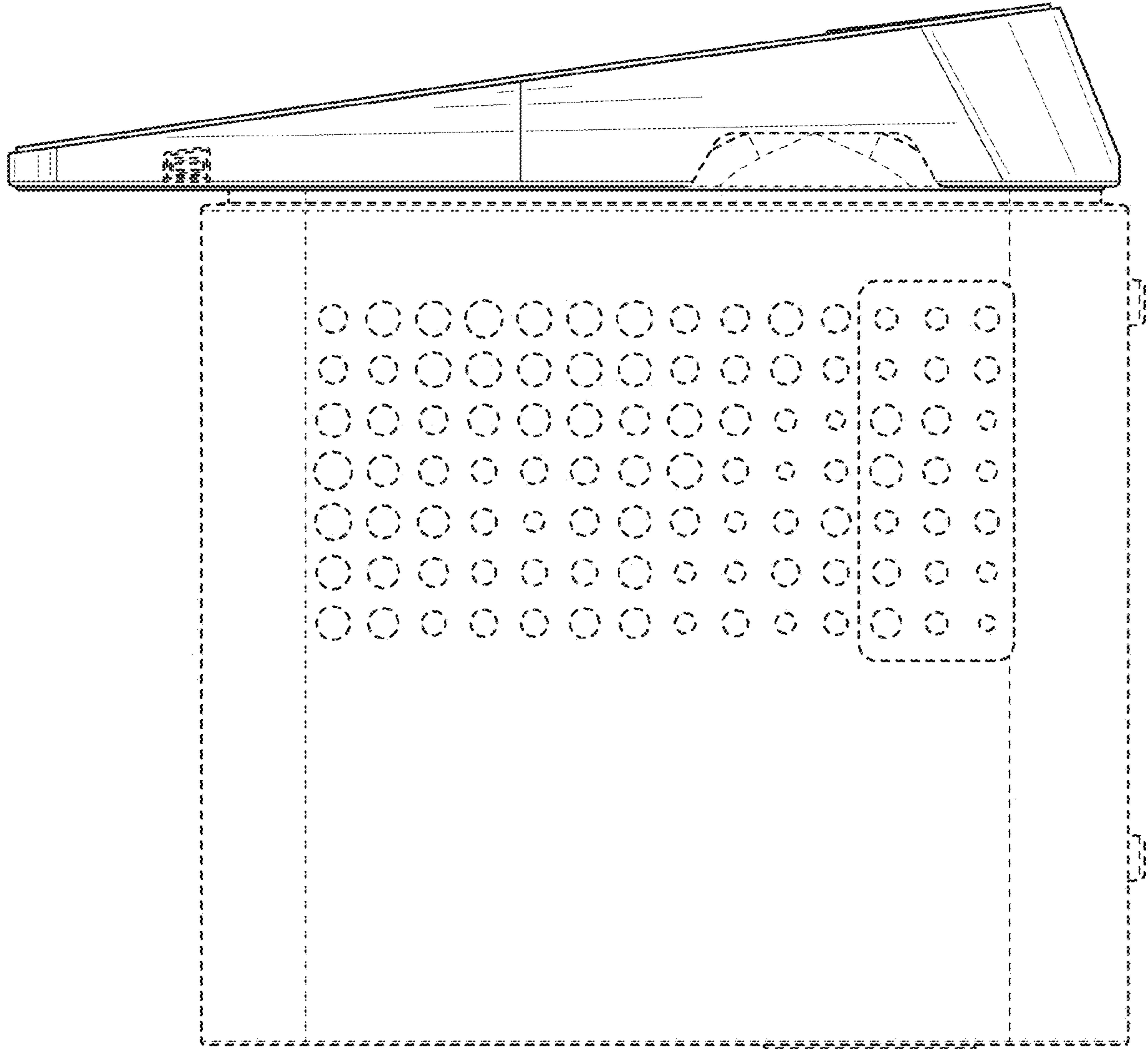


FIG. 5

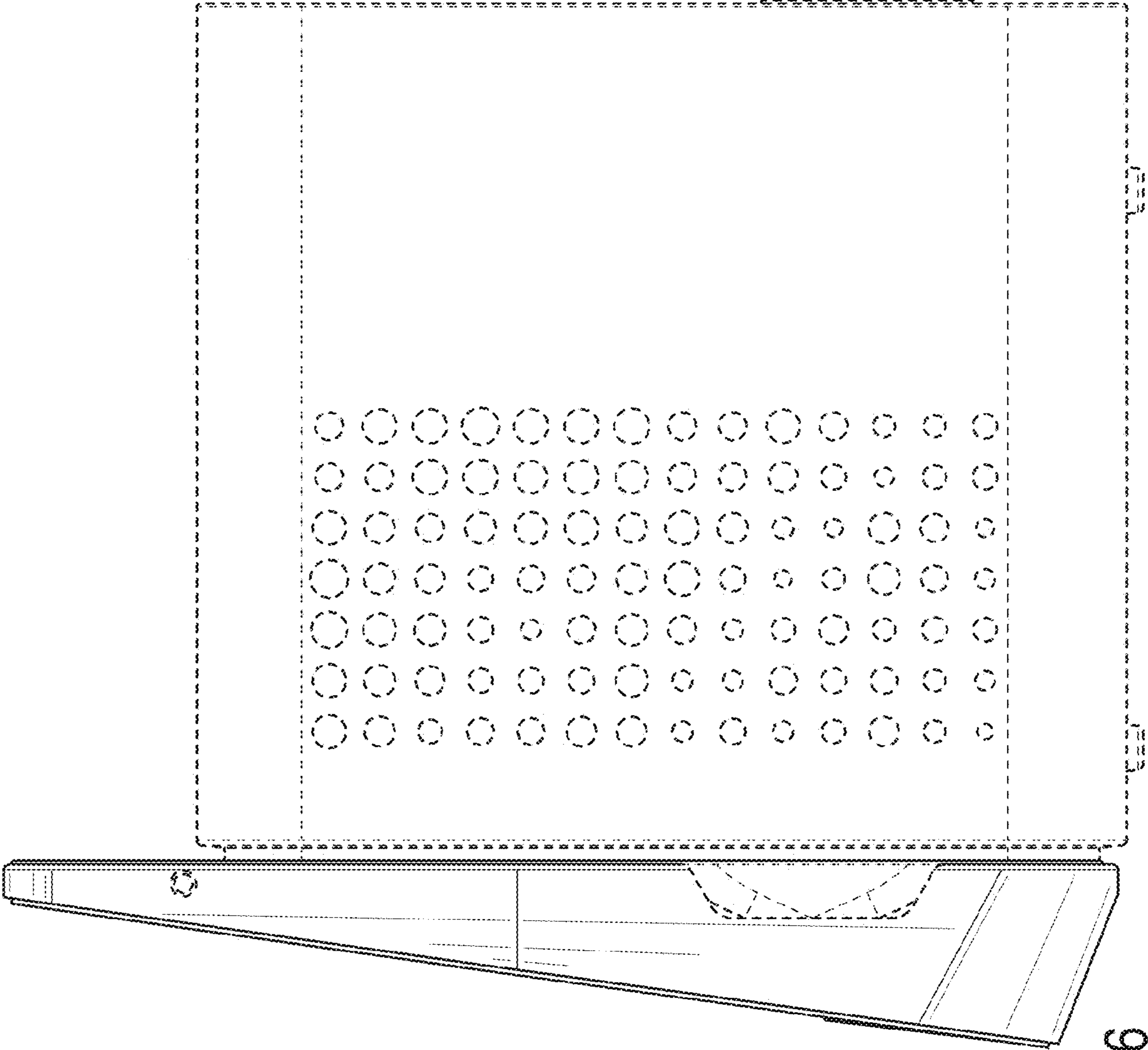


FIG. 6

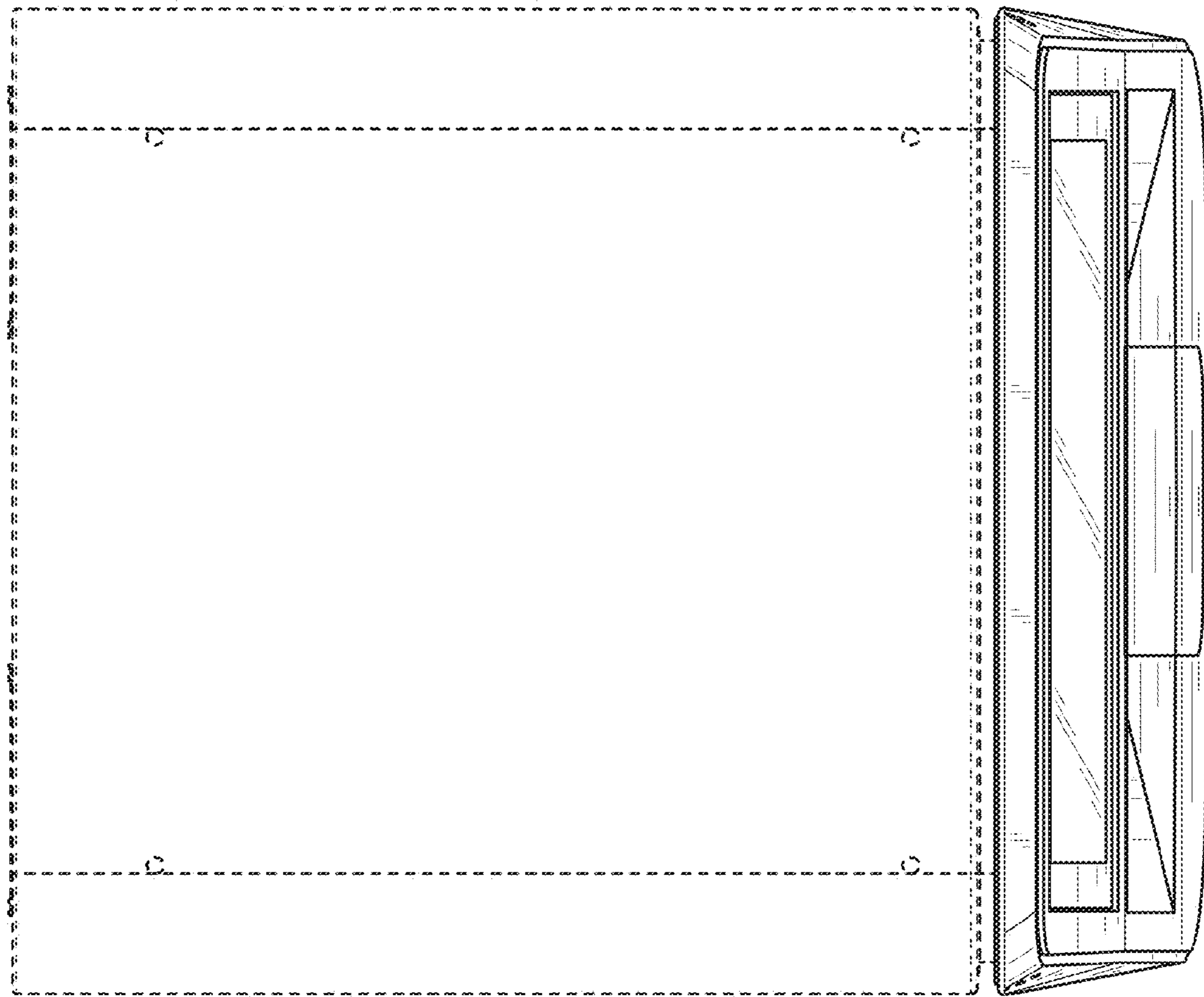


FIG. 7

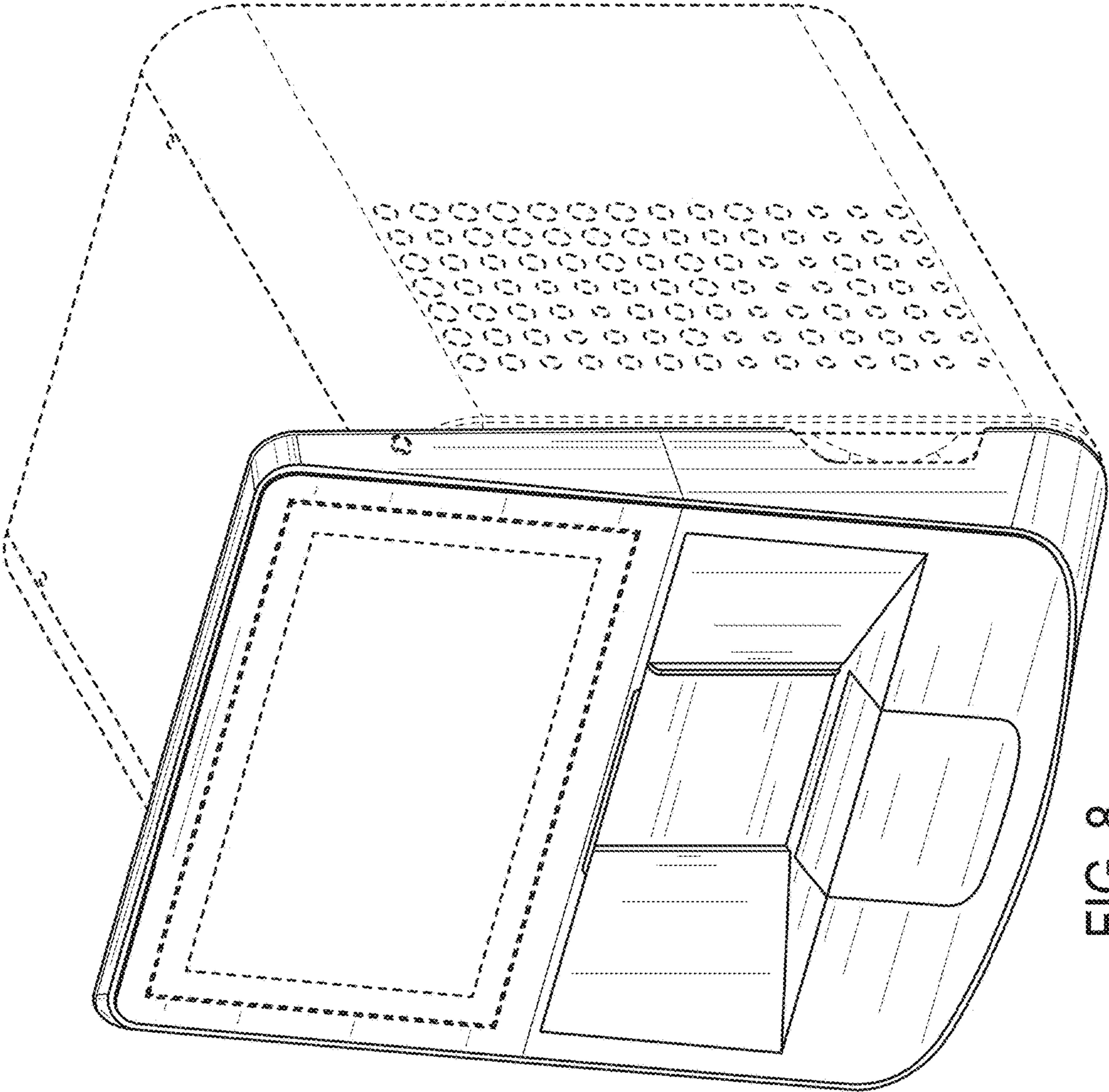


FIG. 8

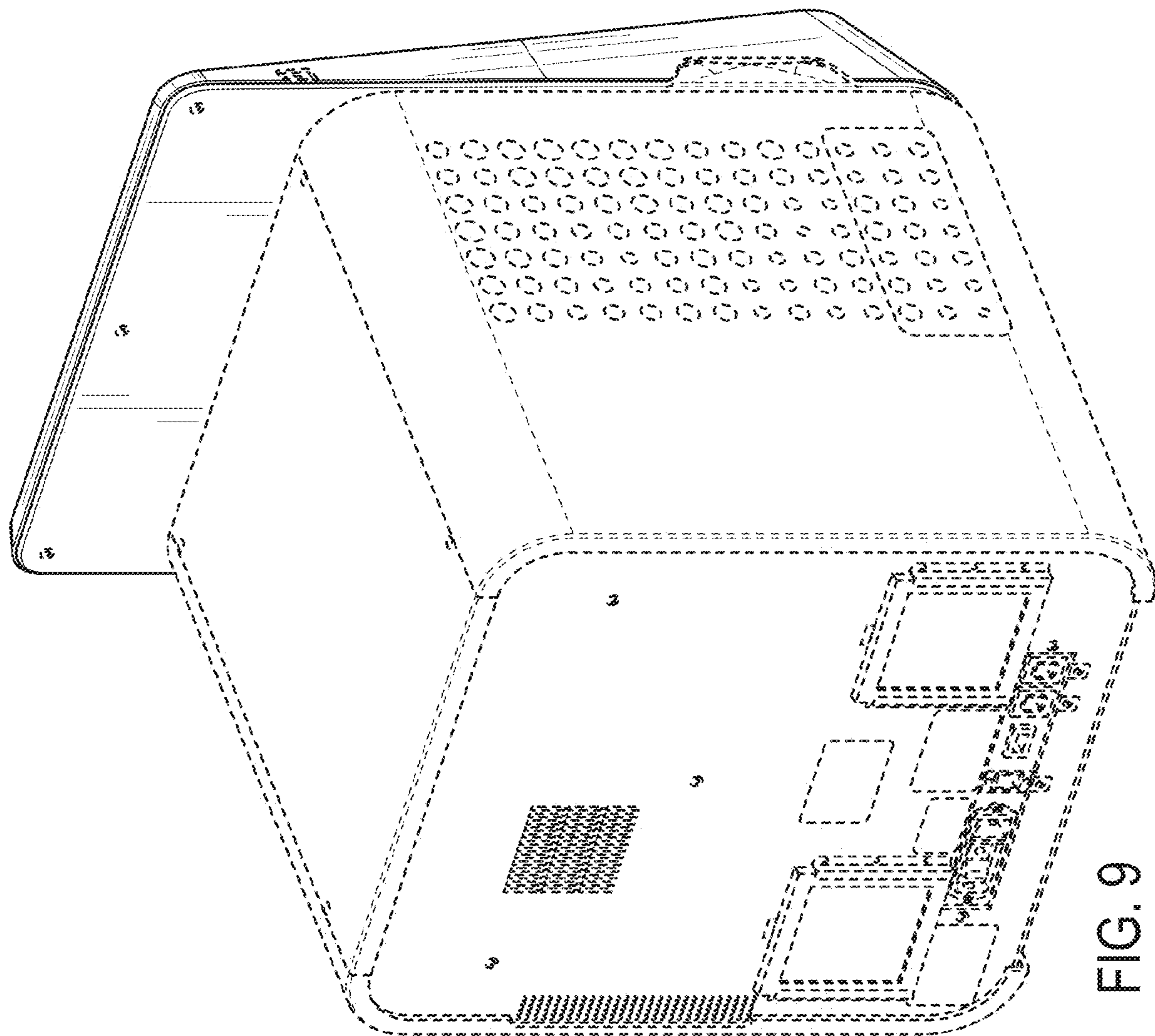


FIG. 9

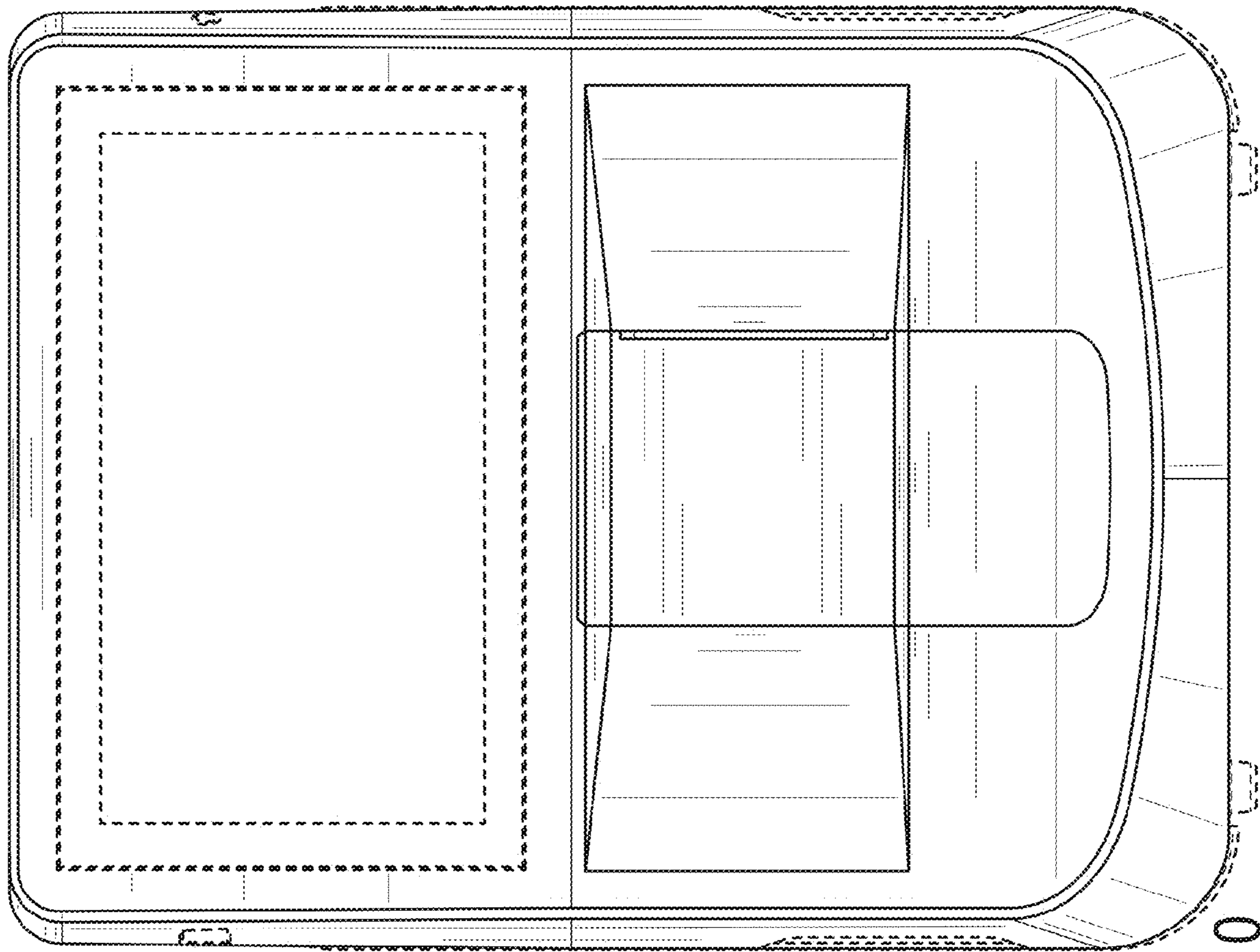


FIG. 10

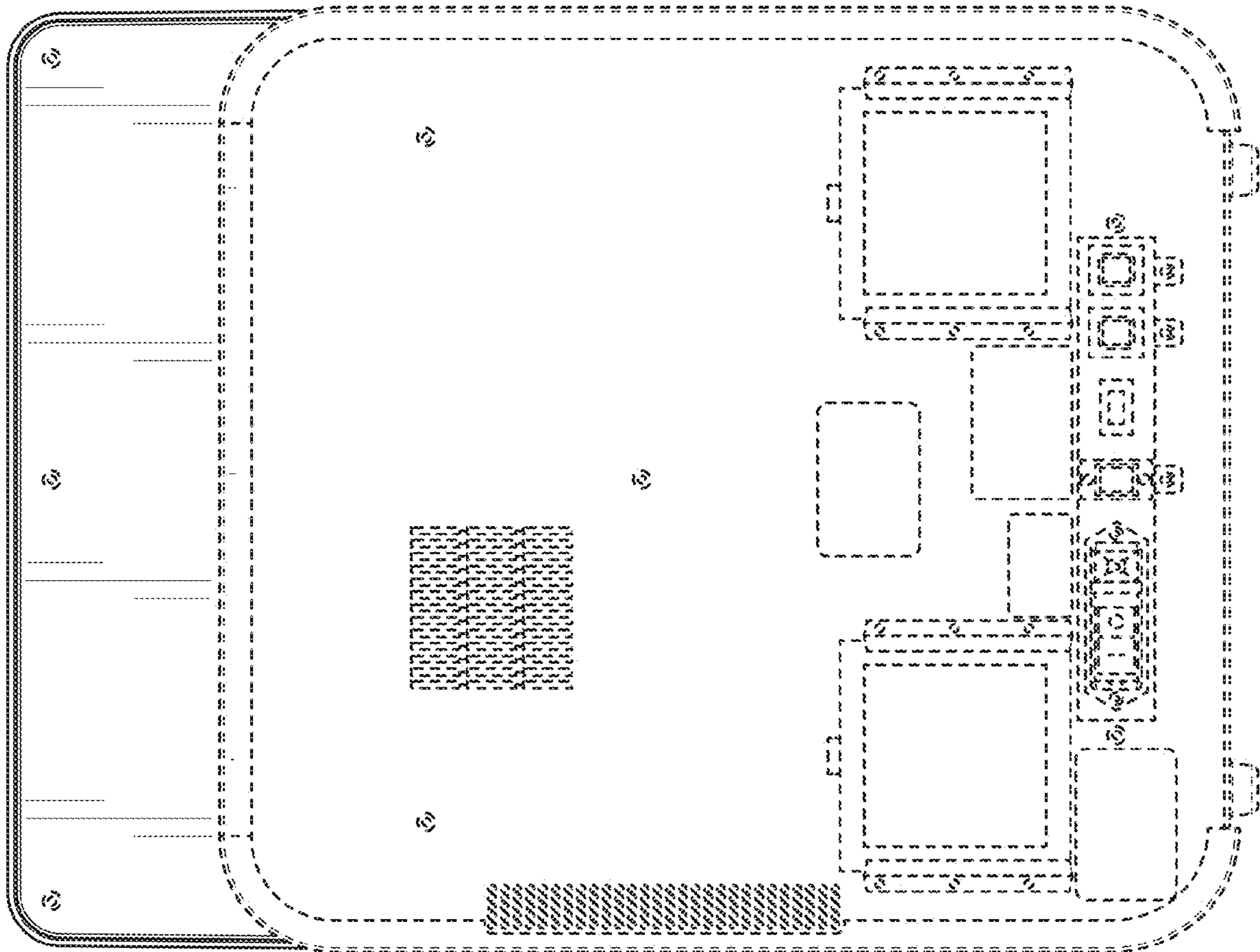


FIG. 11

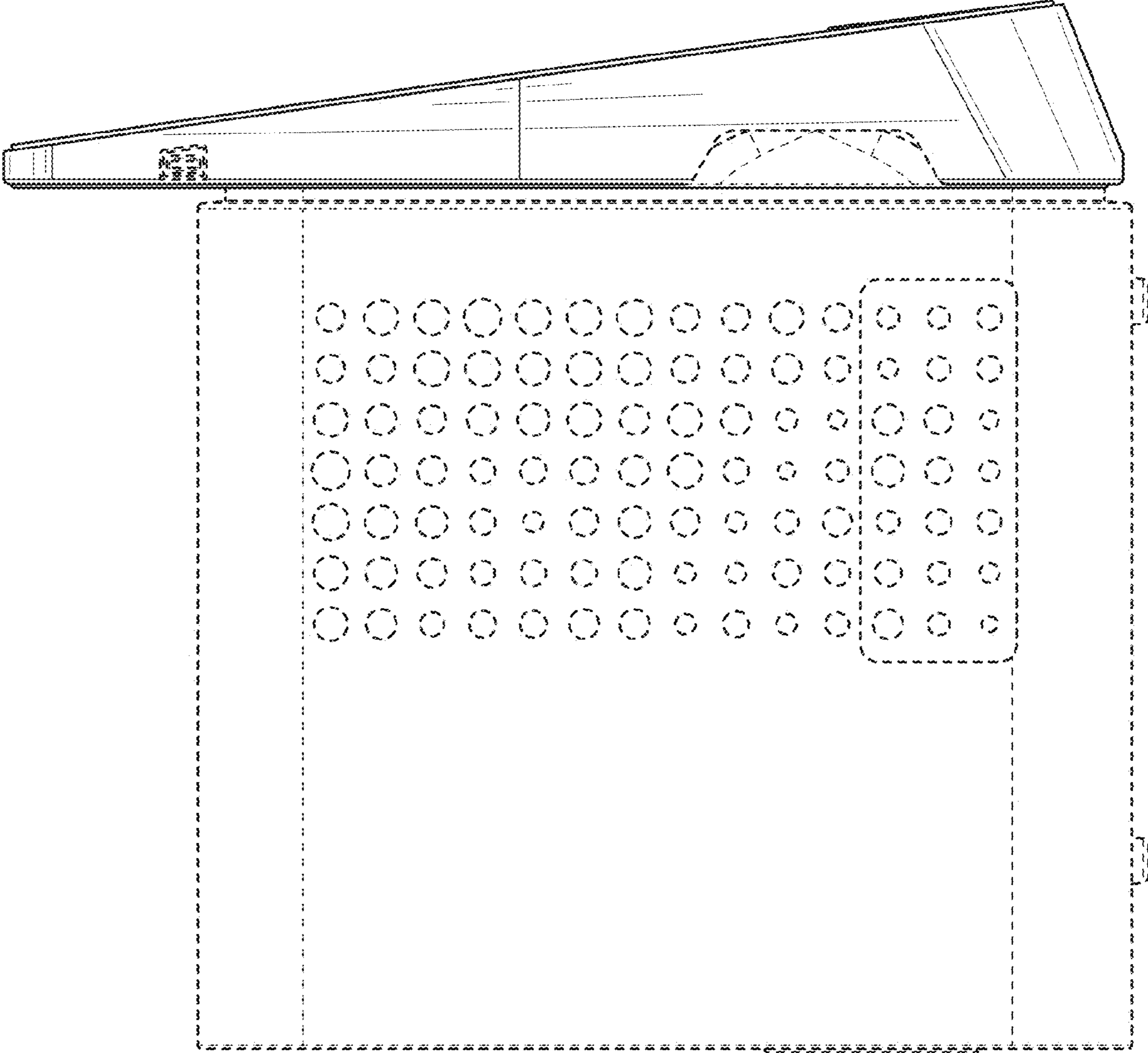


FIG. 12

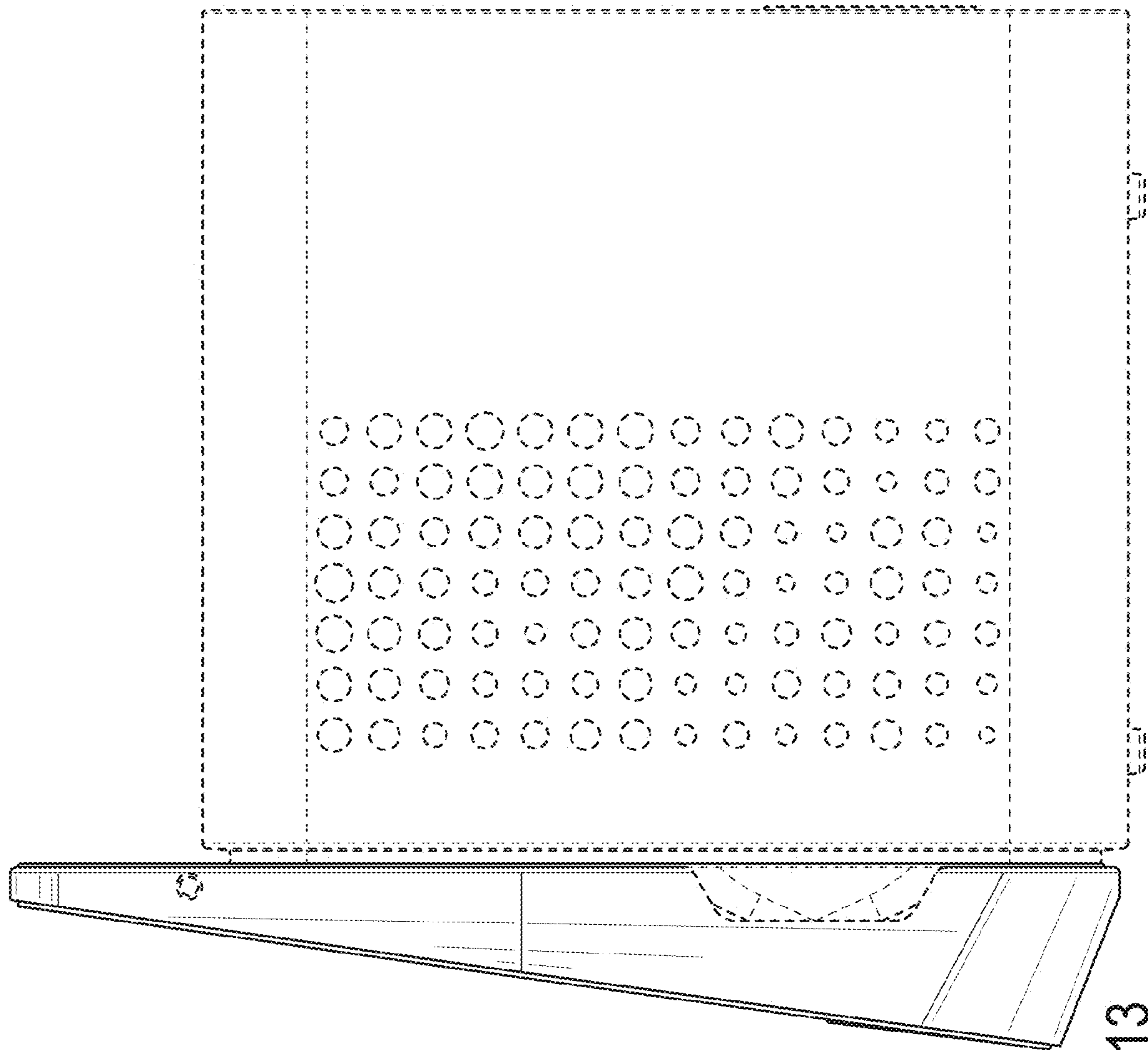


FIG. 13

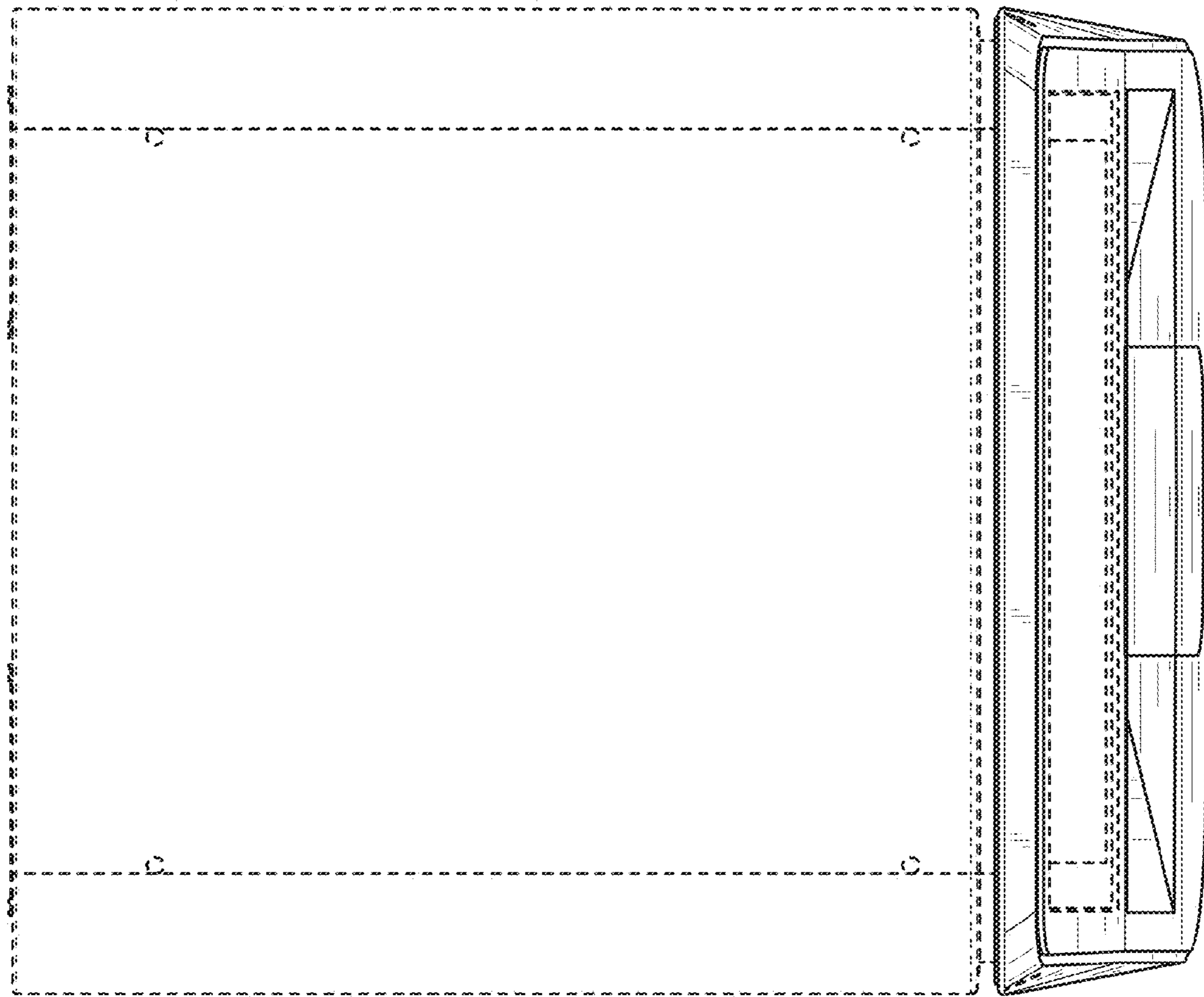


FIG. 14