



US00D914904S

(12) **United States Design Patent** (10) **Patent No.:** **US D914,904 S**
Pettinato et al. (45) **Date of Patent:** **** Mar. 30, 2021**

(54) **OXYGENATOR DEVICE**
(71) Applicant: **LIFELINE SCIENTIFIC, INC.**,
Itasca, IL (US)
(72) Inventors: **David Pettinato**, Schaumburg, IL (US);
Christopher P. Steinman, Sandy, UT
(US); **Alan K. Wu**, Homewood, IL
(US)
(73) Assignee: **LIFELINE SCIENTIFIC, INC.**,
Itasca, IL (US)

D692,572 S * 10/2013 Steinman D24/216
D692,573 S * 10/2013 Steinman D24/216
D692,574 S * 10/2013 Steinman D24/216
2014/0017657 A1* 1/2014 Kravitz A01N 1/0252
435/1.1
2014/0017666 A1* 1/2014 Steinman A01N 1/0247
435/1.2
2014/0017770 A1* 1/2014 Steinman A01N 1/0247
435/284.1
2020/0288701 A1* 9/2020 Pettinato A01N 1/0247

(**) Term: **15 Years**

(21) Appl. No.: **29/683,572**

(22) Filed: **Mar. 14, 2019**

(51) **LOC (13) Cl.** **24-01**

(52) **U.S. Cl.**
USPC **D24/216**

(58) **Field of Classification Search**
USPC D24/107, 164, 169, 185, 186, 216-219,
D24/231-234; D10/81
CPC ... A01N 1/0247; A01N 1/0252; A01N 1/0273
See application file for complete search history.

(56) **References Cited**

U.S. PATENT DOCUMENTS

D685,498 S * 7/2013 Steinman D24/216
D691,734 S * 10/2013 Steinman D24/216

OTHER PUBLICATIONS

Nov. 24, 2020 Office Action issued in U.S. Appl. No. 29/683,576.

* cited by examiner

Primary Examiner — Anhdao Doan
(74) *Attorney, Agent, or Firm* — Oliff PLC

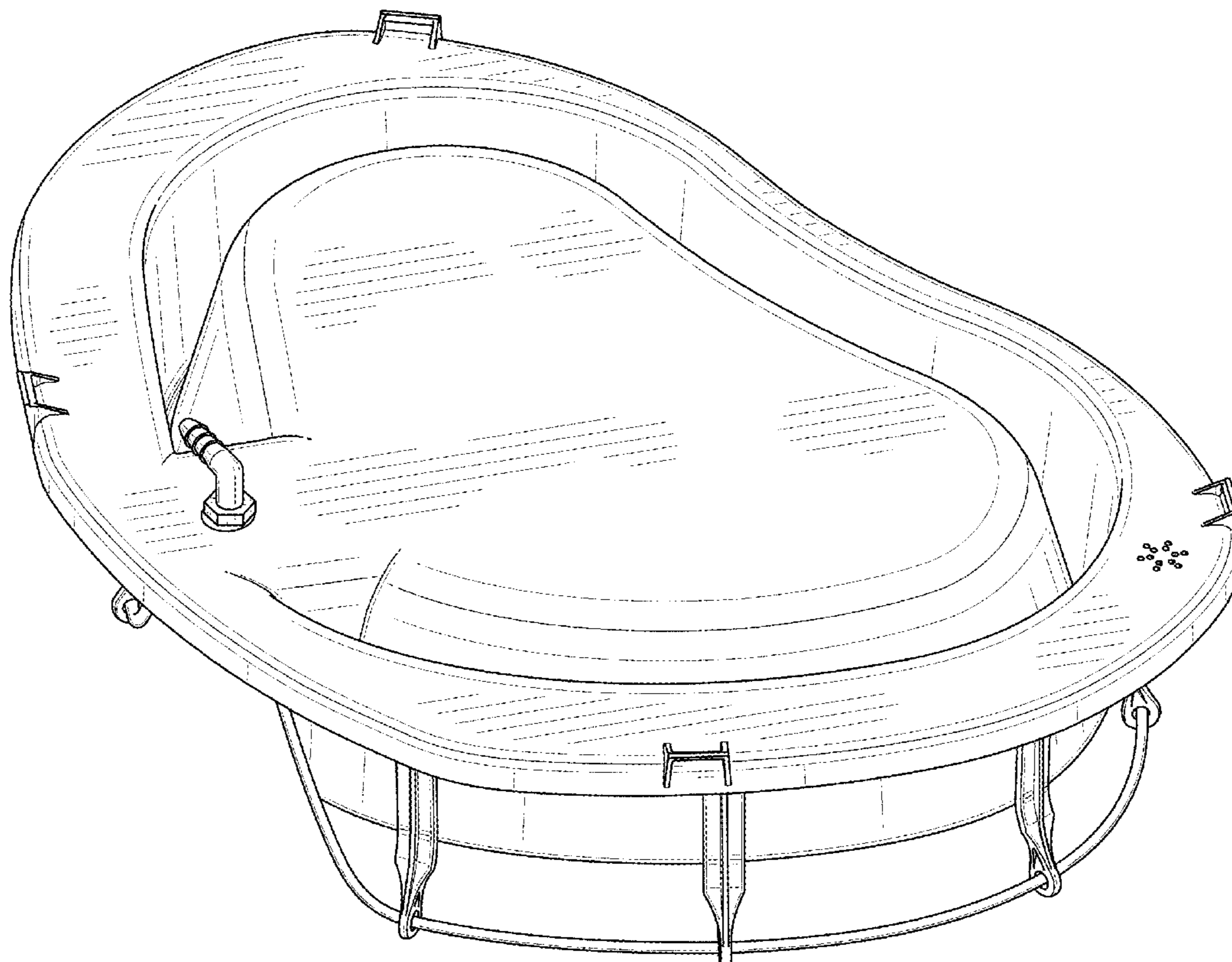
(57) **CLAIM**

The ornamental design for an oxygenator device, as shown and described.

DESCRIPTION

FIG. 1 is a top perspective view of the oxygenator device;
FIG. 2 is a bottom perspective view thereof;
FIG. 3 is a front elevational view thereof;
FIG. 4 is a rear elevational view thereof;
FIG. 5 is a left-side elevational view thereof;
FIG. 6 is a right-side elevational view thereof;
FIG. 7 is a top plan view thereof; and,
FIG. 8 is a bottom plan view thereof.

1 Claim, 8 Drawing Sheets



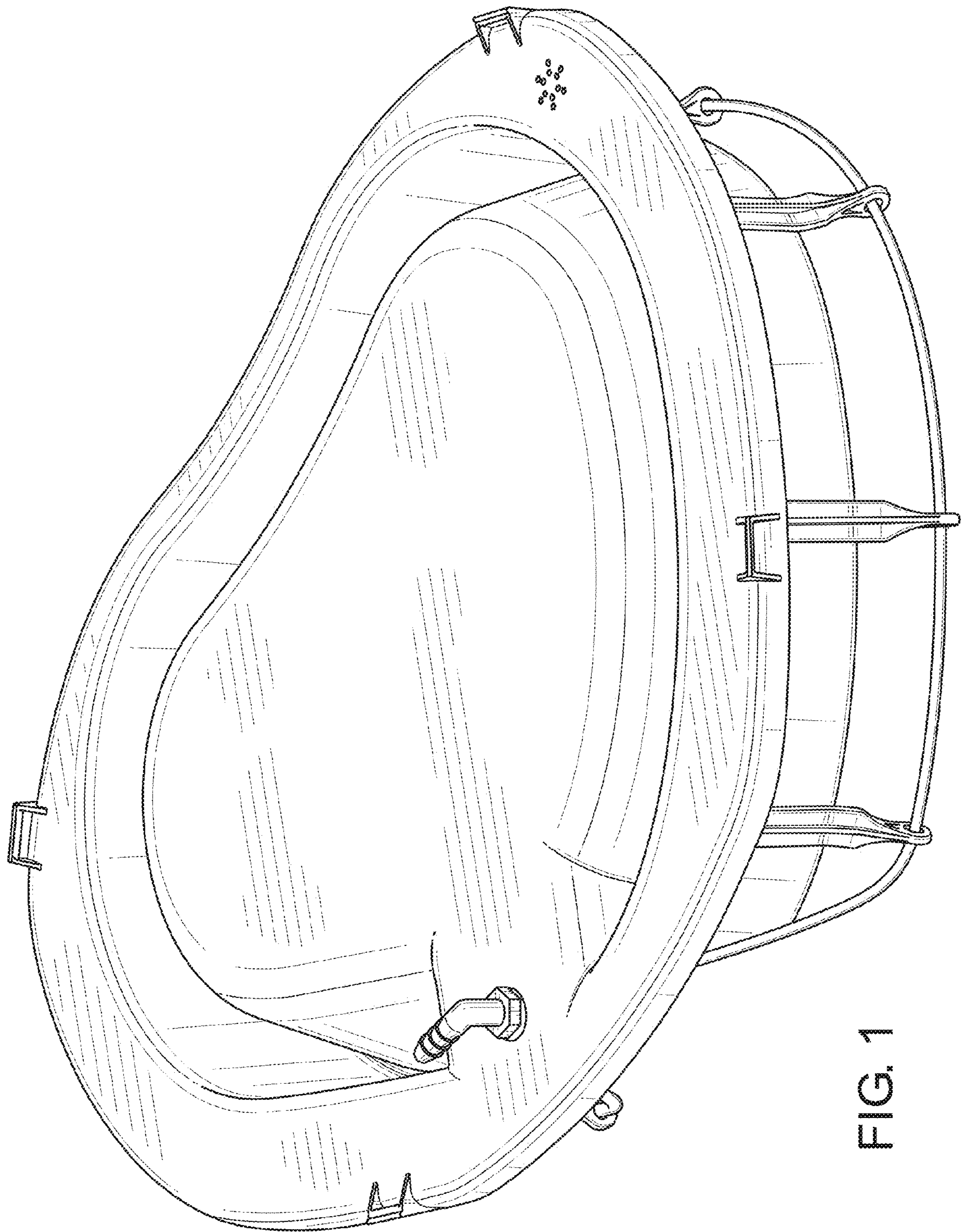


FIG. 1

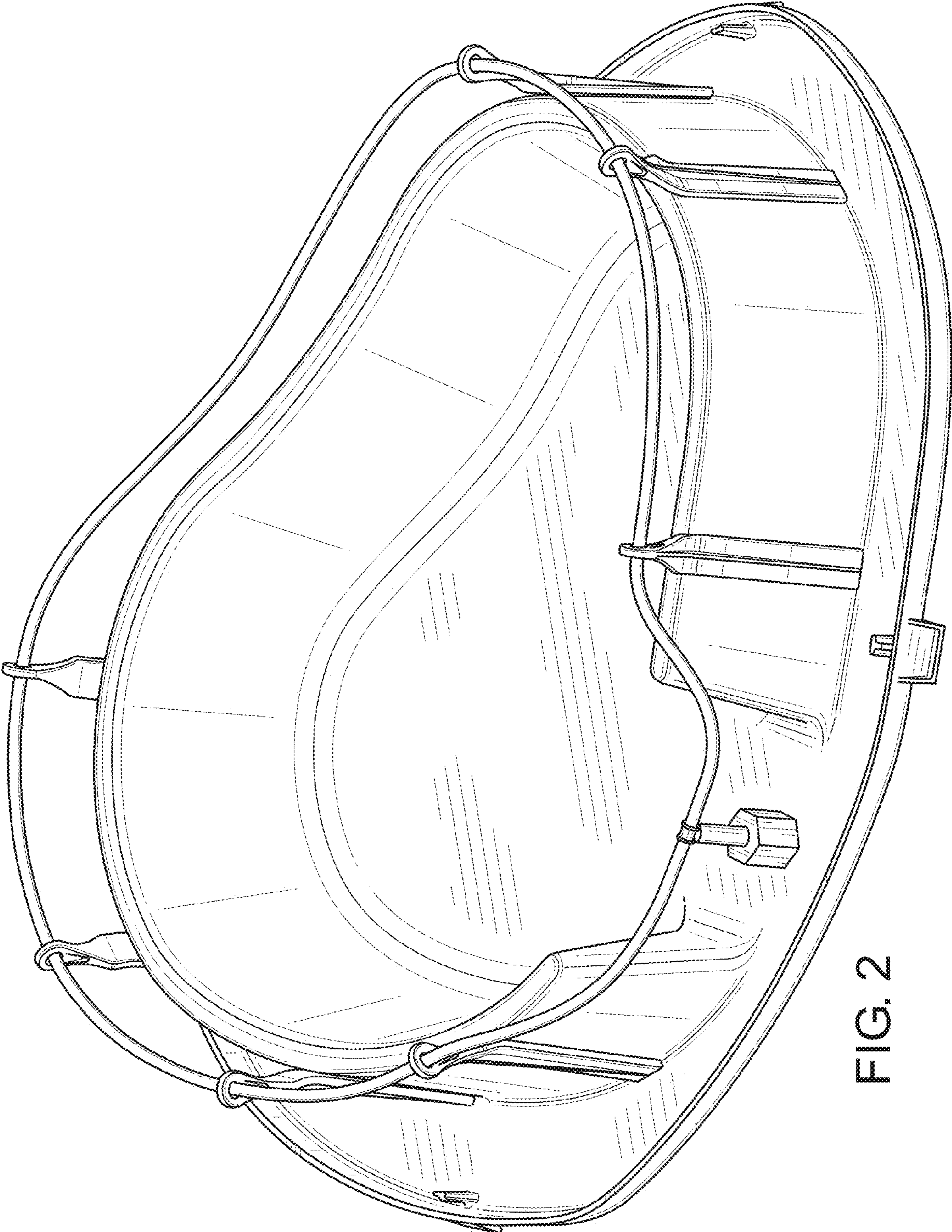


FIG. 2

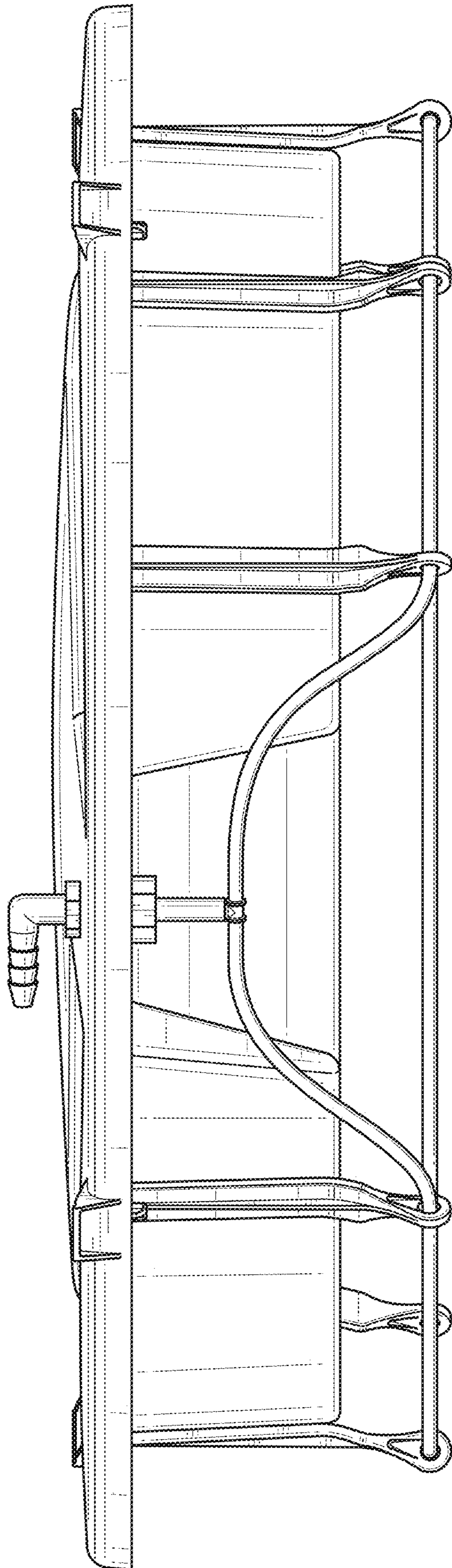


FIG. 3

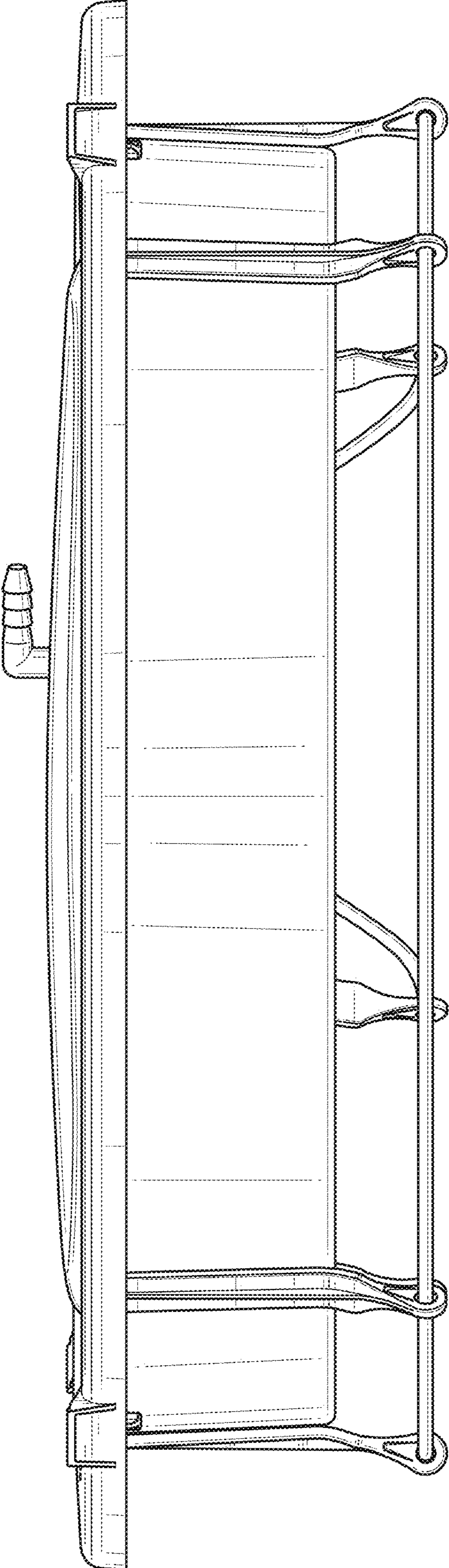


FIG. 4

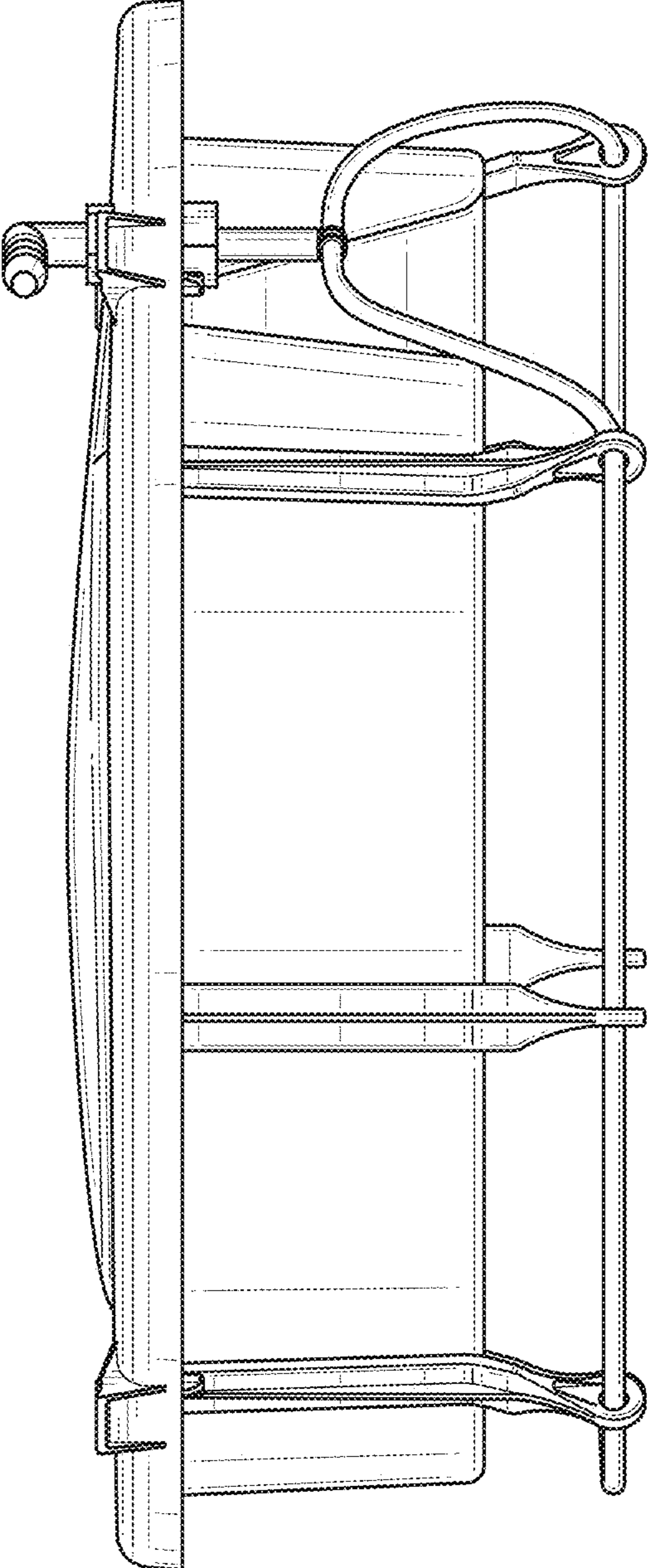


FIG. 5

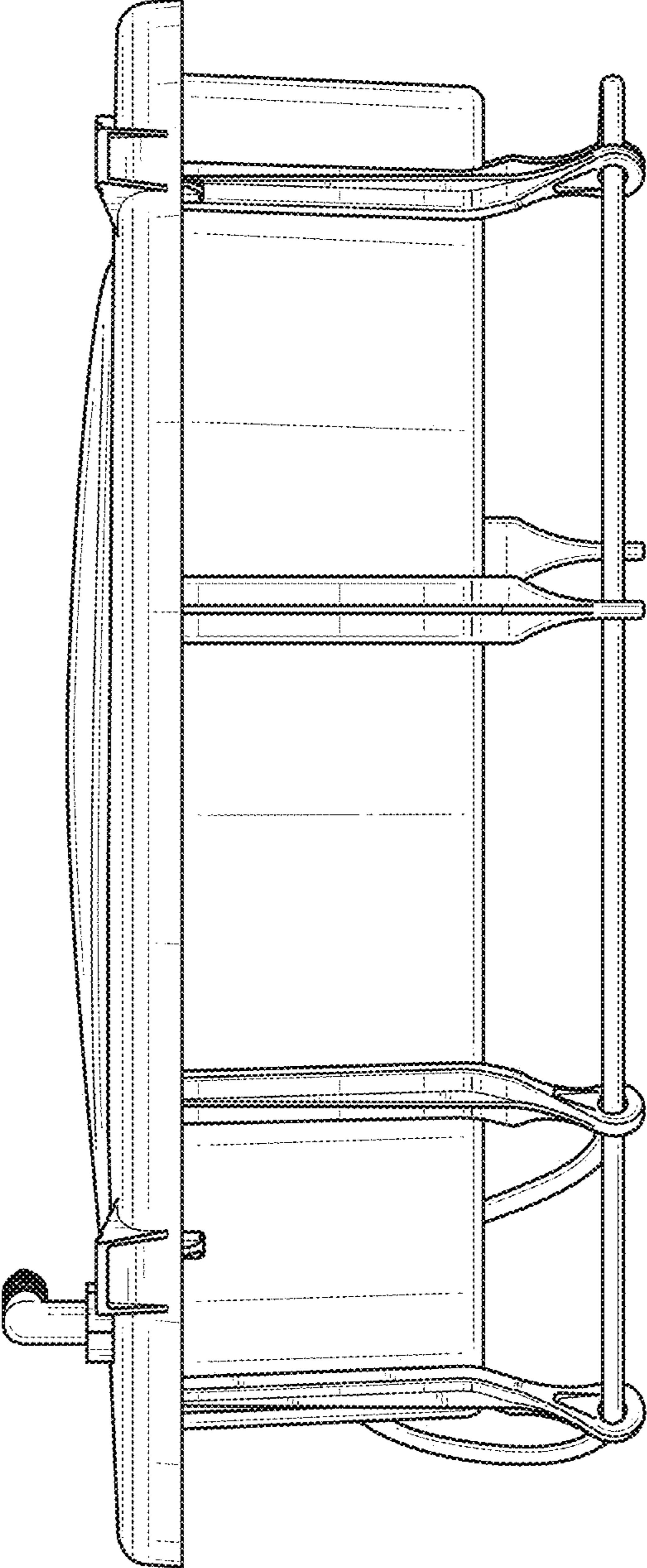


FIG. 6

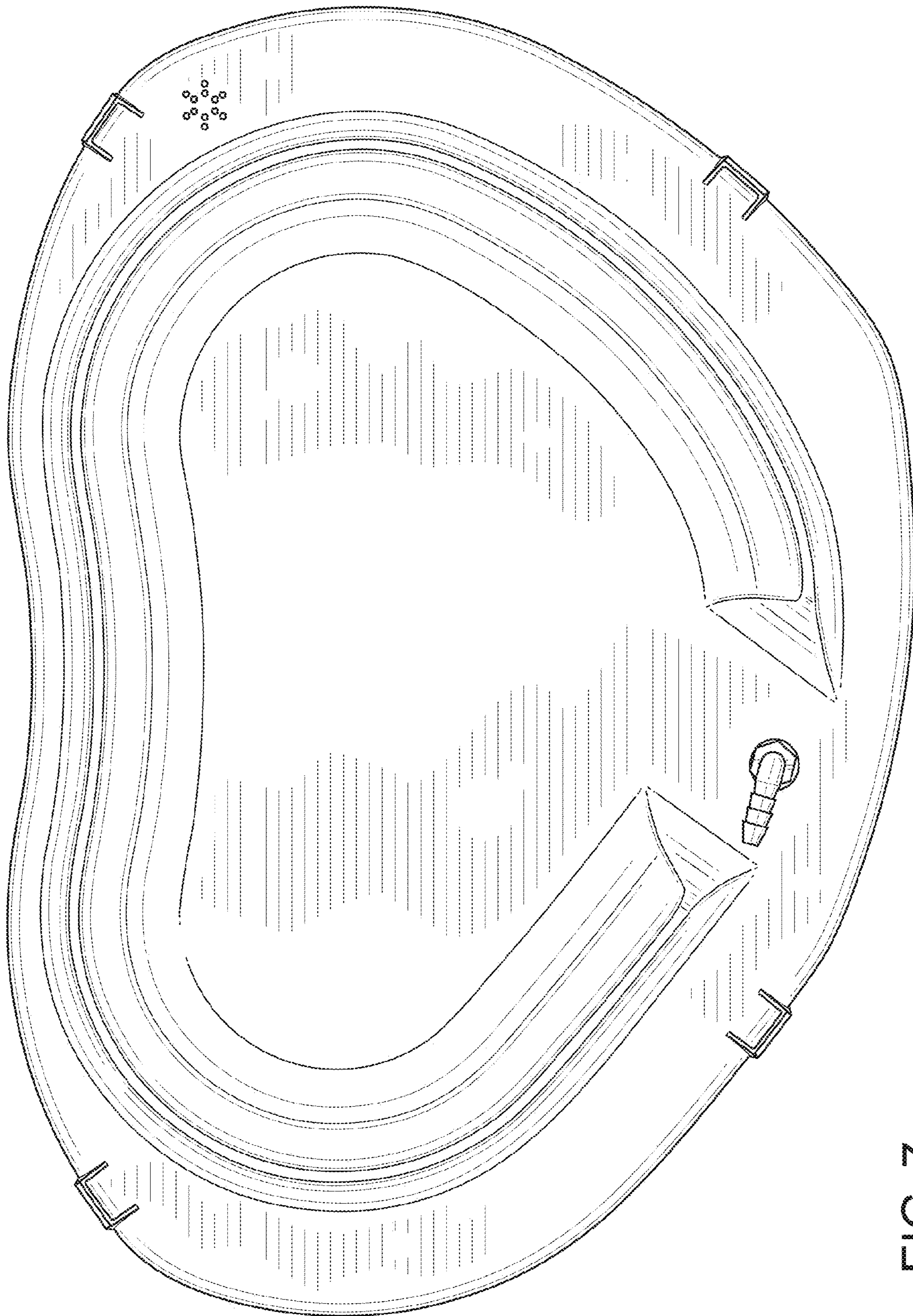


FIG. 7

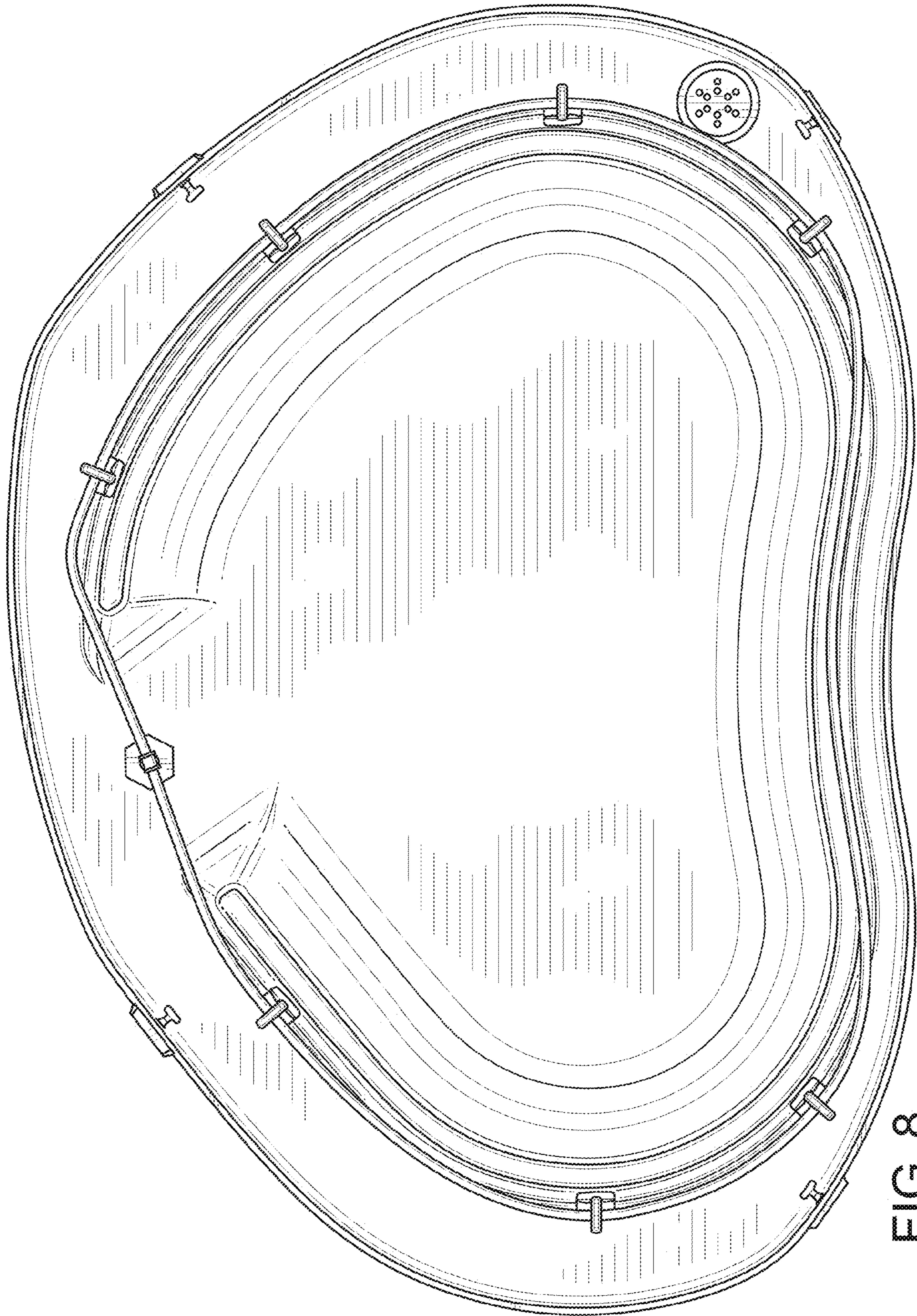


FIG. 8