



US00D914902S

(12) **United States Design Patent** (10) **Patent No.:** **US D914,902 S**
Steven (45) **Date of Patent:** **** Mar. 30, 2021**

(54) **THERAPY DEVICE**
(71) Applicant: **Scott Steven**, Winter Springs, FL (US)
(72) Inventor: **Scott Steven**, Winter Springs, FL (US)
(**) Term: **15 Years**

D545,975 S * 7/2007 Bell D24/211
D553,253 S * 10/2007 Gayne D24/215
7,645,248 B2 1/2010 Brown
D688,380 S * 8/2013 Nelson D24/211
D717,963 S * 11/2014 Milton D24/215
D763,459 S 8/2016 Vitko

(Continued)

(21) Appl. No.: **29/698,975**
(22) Filed: **Jul. 22, 2019**

OTHER PUBLICATIONS

Amazon, "Muscle Roller", Aug. 18, 2020. [\(Continued\)](https://www.amazon.com/dp/B086LD19J6/ref=sspa_dk_detail_6?pd_rd_i=B086LD19J6&pd_rd_w=0UXkr&pf_rd_p=48d372c1-f7e1-4b8b-9d02-4bd86f5158c5&pd_rd_wg=4Dg6u&pf_rd_r=6T1EBT95MH0CYN6ECDHD&pd_rd_r=1aa97209-1caf-404e-8da8-bd296761c9b3&spLa=ZW5jcnlwdGVkUXVhbGlmaWVy.p.1.(Year: 2020).*</p></div>
<div data-bbox=)

Related U.S. Application Data

(63) Continuation of application No. 16/518,022, filed on Jul. 22, 2019, which is a continuation-in-part of application No. 16/501,116, filed on Jul. 20, 2018, now abandoned.
(51) **LOC (13) Cl.** **28-03**
(52) **U.S. Cl.**
USPC **D24/211**
(58) **Field of Classification Search**
USPC D24/200, 211, 212, 213, 214, 215;
D4/127, 128
CPC A61H 15/00; A61H 2015/0035; A61H 2015/005; A61H 2015/0064; A61H 7/001
See application file for complete search history.

Primary Examiner — Cynthia Ramirez
Assistant Examiner — Michael A Maharajh
(74) *Attorney, Agent, or Firm* — Tillman Wright, PLLC; James D. Wright; David R. Higgins

(57) **CLAIM**

The ornamental design for a therapy device, as shown and described.

(56) **References Cited**

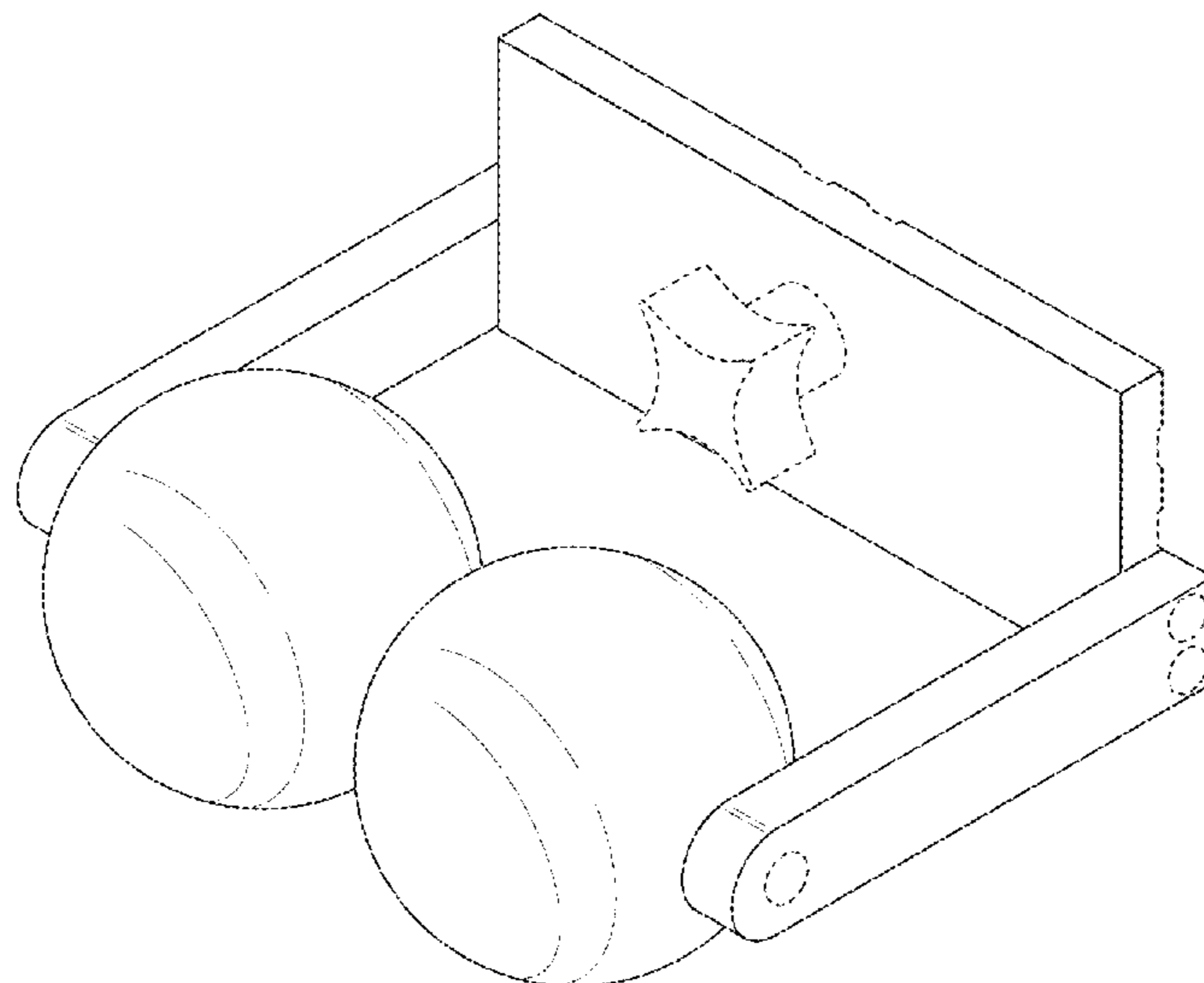
DESCRIPTION

U.S. PATENT DOCUMENTS

D127,686 S * 6/1941 Milton D24/212
D226,875 S * 5/1973 Haworth D24/211
D243,557 S * 3/1977 Kientz D24/212
D287,281 S * 12/1986 Lancellotti D24/211
D387,871 S * 12/1997 Childs D24/211
D414,874 S * 10/1999 Edens D24/212
D418,227 S * 12/1999 O'Connor D24/211
D435,660 S * 12/2000 Yoo D24/211
D491,271 S * 6/2004 Siegfried D24/211
D491,671 S * 6/2004 Kim D24/211
D492,791 S * 7/2004 Alexander D24/211
D497,457 S * 10/2004 Willinger A01K 15/026
D24/211
7,131,954 B2 11/2006 Liao

FIG. 1 is an isometric view of a new design for a therapy device;
FIG. 2 is a top view of the therapy device of FIG. 1;
FIG. 3 is a bottom view of the therapy device of FIG. 1;
FIG. 4 is a left side view of the therapy device of FIG. 1;
FIG. 5 is a right side view of the therapy device of FIG. 1;
FIG. 6 is a front view of the therapy device of FIG. 1; and,
FIG. 7 is a rear view of the therapy device of FIG. 1.
The broken lines in the drawings are for the purpose of illustrating portions of the therapy device and form no part of the claimed design.

1 Claim, 4 Drawing Sheets



(56)

References Cited

U.S. PATENT DOCUMENTS

D818,139	S *	5/2018	Marshall	D24/211
D820,993	S *	6/2018	Huang	D24/215
D848,090	S *	5/2019	Cunniff	D30/199
D855,820	S *	8/2019	Harashima	D24/215
D870,907	S *	12/2019	Cheng	D24/211
D871,599	S *	12/2019	Razumovskyi	D24/211
D872,868	S *	1/2020	Razumovskyi	D24/211
D879,887	S *	3/2020	Loftin, III	D21/662
D891,631	S *	7/2020	Liu	D24/211
2011/0237990	A1 *	9/2011	Marsten	A61H 15/00 601/119
2014/0228722	A1 *	8/2014	Nelson	A61H 15/00 601/125
2016/0022529	A1 *	1/2016	Abdo	A61H 15/0092 601/119
2016/0296415	A1 *	10/2016	Cross	A61H 15/0092
2017/0007486	A1 *	1/2017	Kuhne	A61H 1/008
2017/0035648	A1 *	2/2017	Frank	A61H 15/0085
2017/0156969	A1 *	6/2017	Fitzsimmons	A61H 15/00
2017/0290734	A1 *	10/2017	McCrea	A61H 15/0092
2018/0000684	A1 *	1/2018	Burrell	A61H 15/00
2019/0216680	A1 *	7/2019	Lee	A61H 15/00
2019/0224068	A1 *	7/2019	Moridaira	A61H 15/0092

OTHER PUBLICATIONS

“Back Rac: Back Pain Relief-Acupressure Massage-Healthy Spine.” <<https://web.archive.org/web/20171018032200/https://www.kickstart.com/>>, Oct. 18, 2017, accessed Jan. 15, 2020, (14 pages).

“Backrack-Beat back pain with BackRack.” <<https://web.archive.org/web/20160722115258/http://spinalbackrack.com/>> Jan. 17, 2016, accessed Jan. 15, 2020, (14 pages).

“Body Massage Roller Rope.” <https://www.amazon.com/Body-Massage-Roller-Rope-Equipment/dp/B07D17N1LG/ref=sr_1_2?crid=2P4CJ8FE6720F&dchild=1&keywords=body+massage+roller+rope&qid=1587004481&srefix=body+massage+roller%2Caps%2C262&sr=8-2>, Aug. 12, 2018, accessed Jan. 15, 2020, (11 pages).

“Chameleon Changeable Massage Stick Muscle Roller.” <https://www.amazon.com/product-reviews/B019E1HL8Y/ref=acr_dpdp>, Nov. 22, 2016, accessed Jan. 15, 2020, (1 page).

“Ethos Tactical Recovery Roller.” <<https://www.dickssportinggoods.com/p/ethos-tactical-recovery-roller-17>>, accessed Jan. 15, 2020, (5 pages).

“Solidback Handheld Deep tissue Self Massage Tool.” <https://www.amazon.com/dp/B074DWNJC8/ref=sspa_dk_detail_3?pd_r>, Jun. 23, 2016, accessed Jan. 15, 2020, (12 pages).

“Vertiball Massager.” vertiball.com, video, accessed Jan. 15, 2020.

“Wall Beastie Bar Technique.” YouTube, accessed Jan. 15, 2020.

* cited by examiner

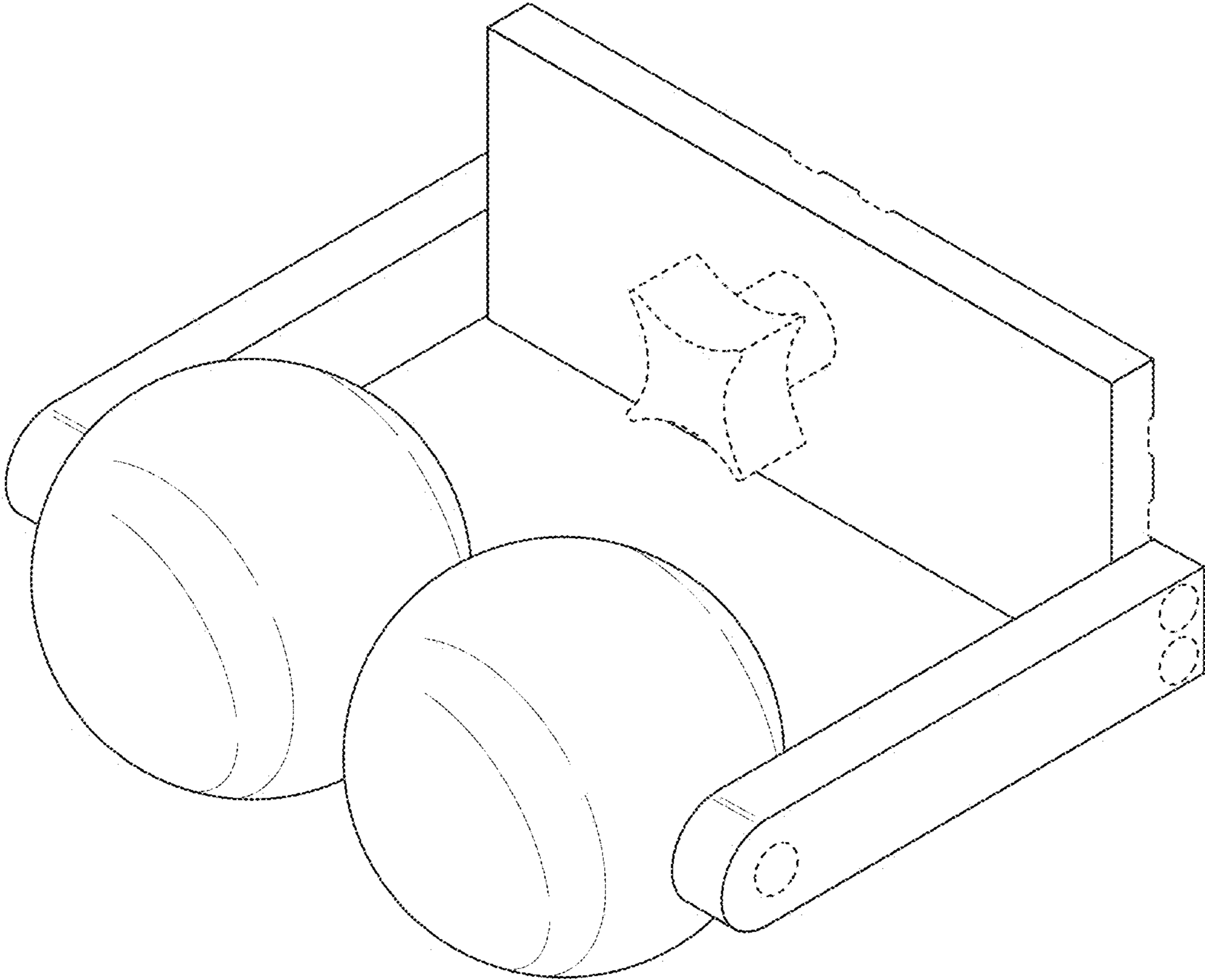


FIG. 1

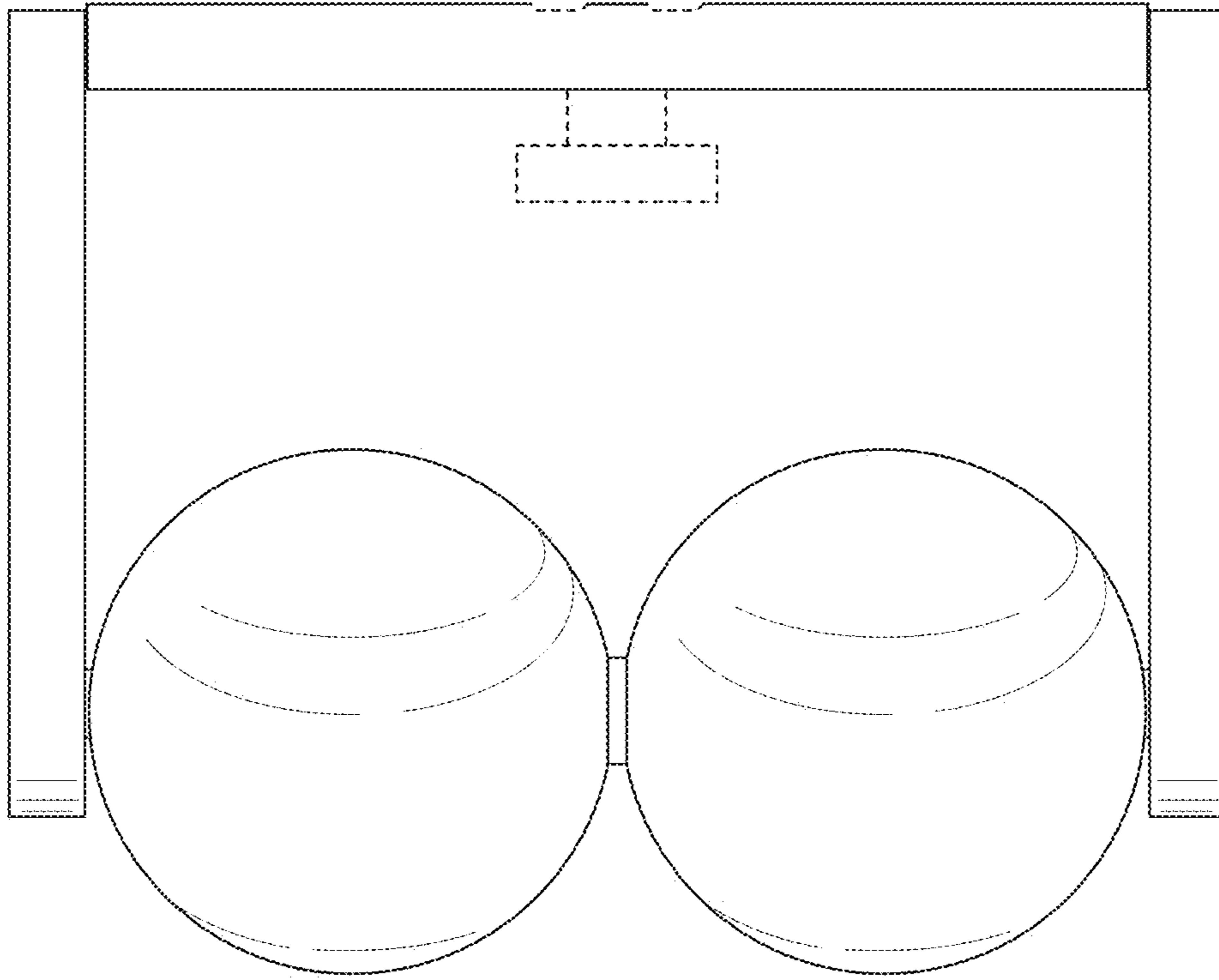


FIG. 2

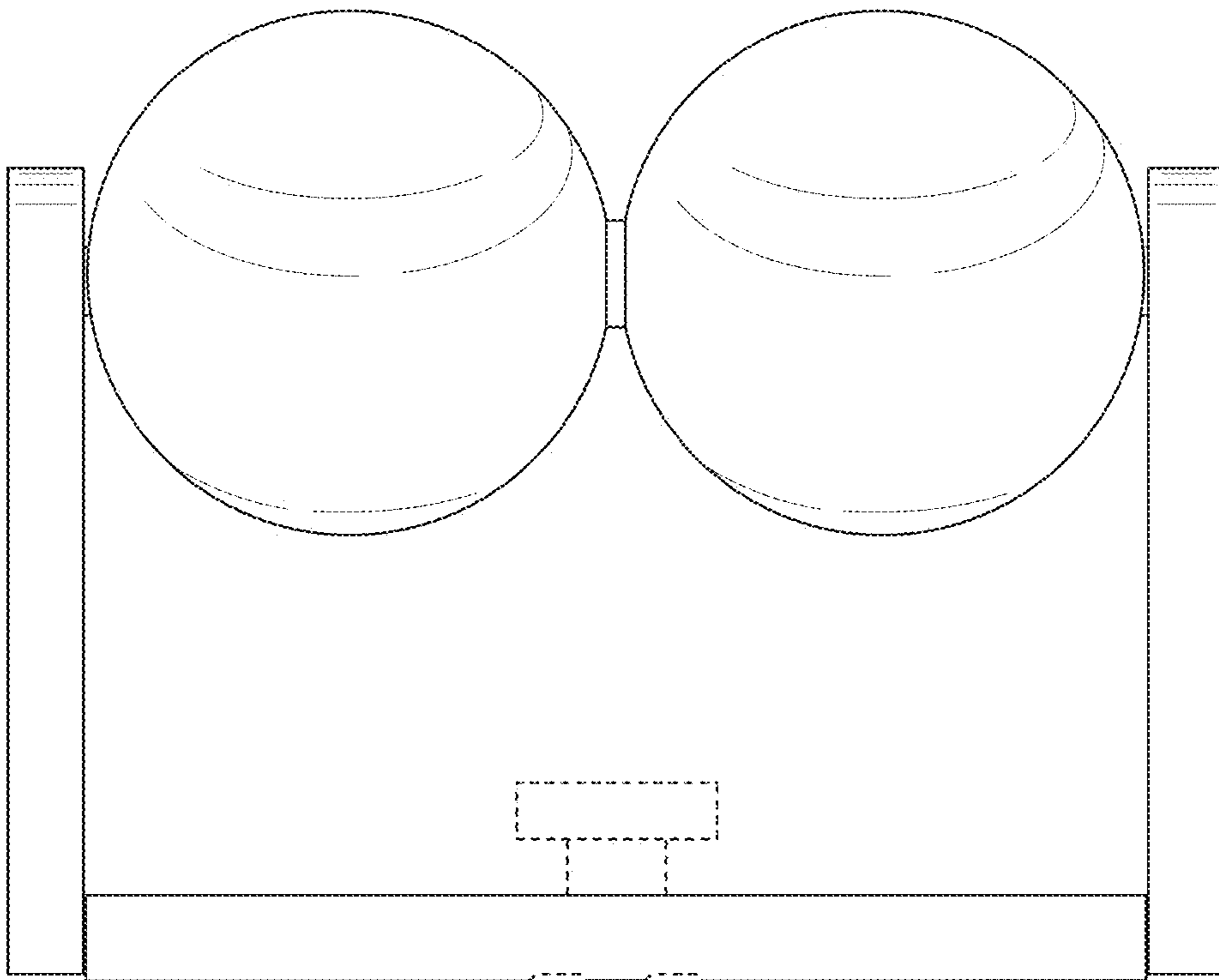


FIG. 3

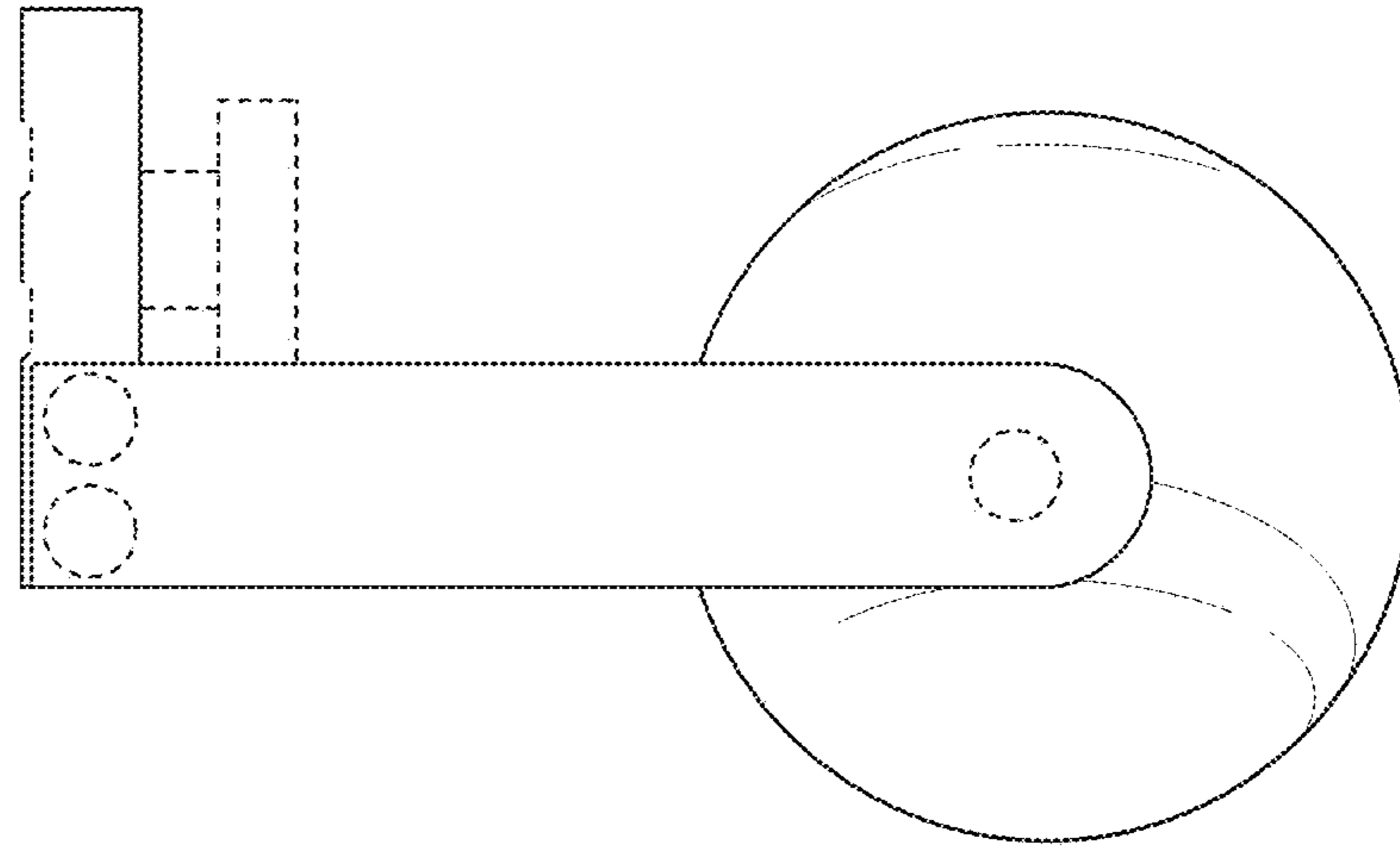


FIG. 4

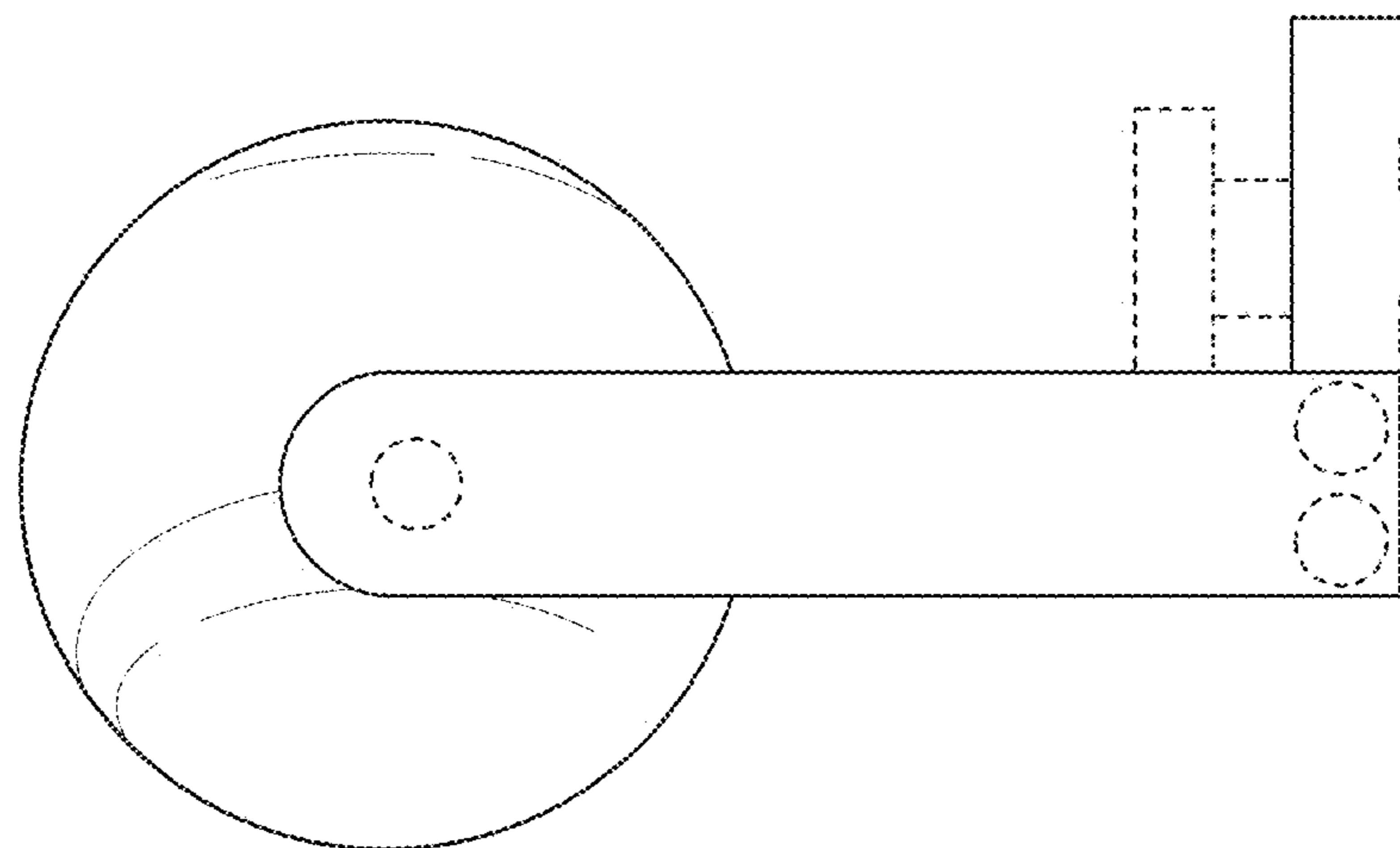


FIG. 5

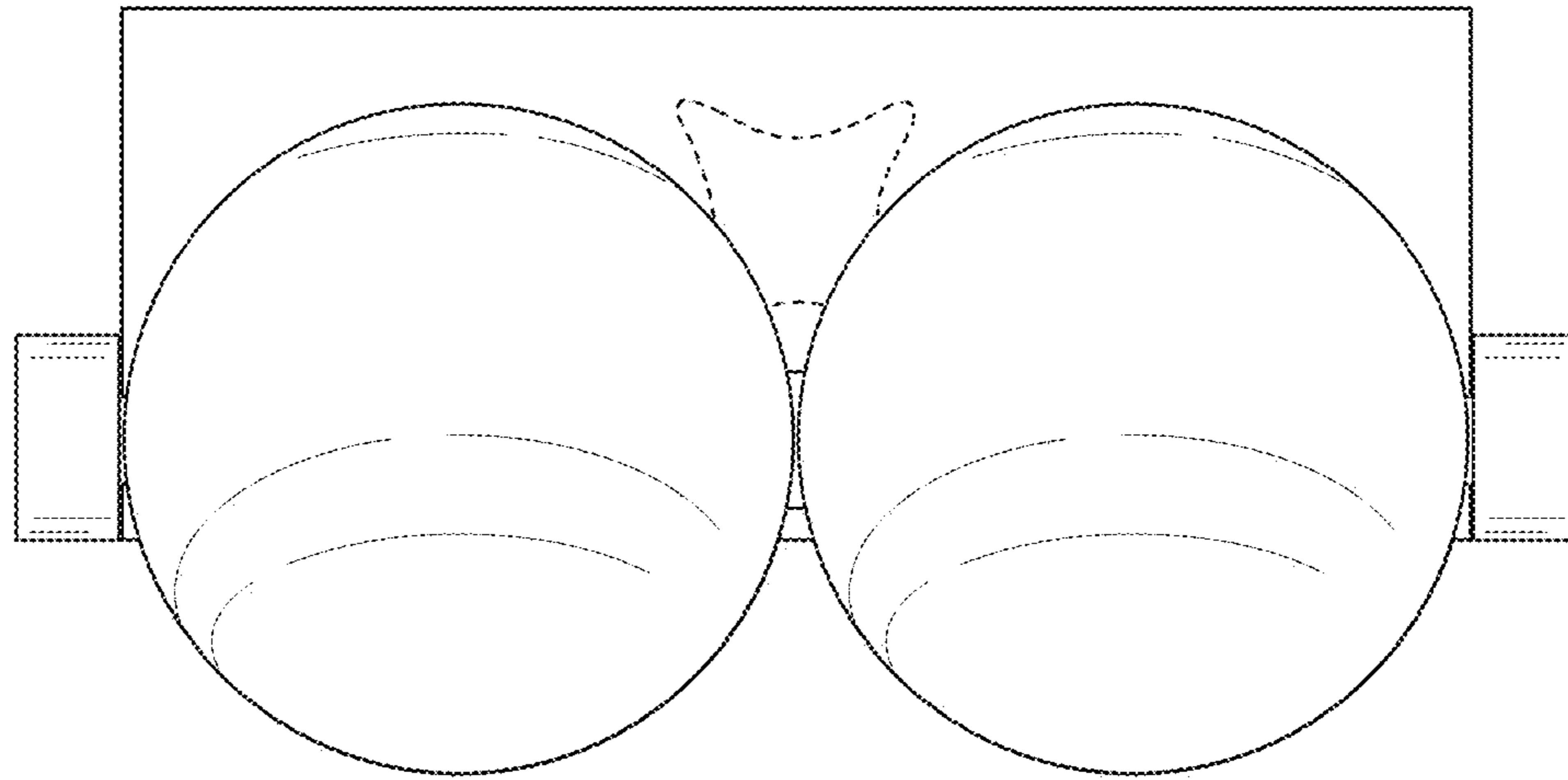


FIG. 6

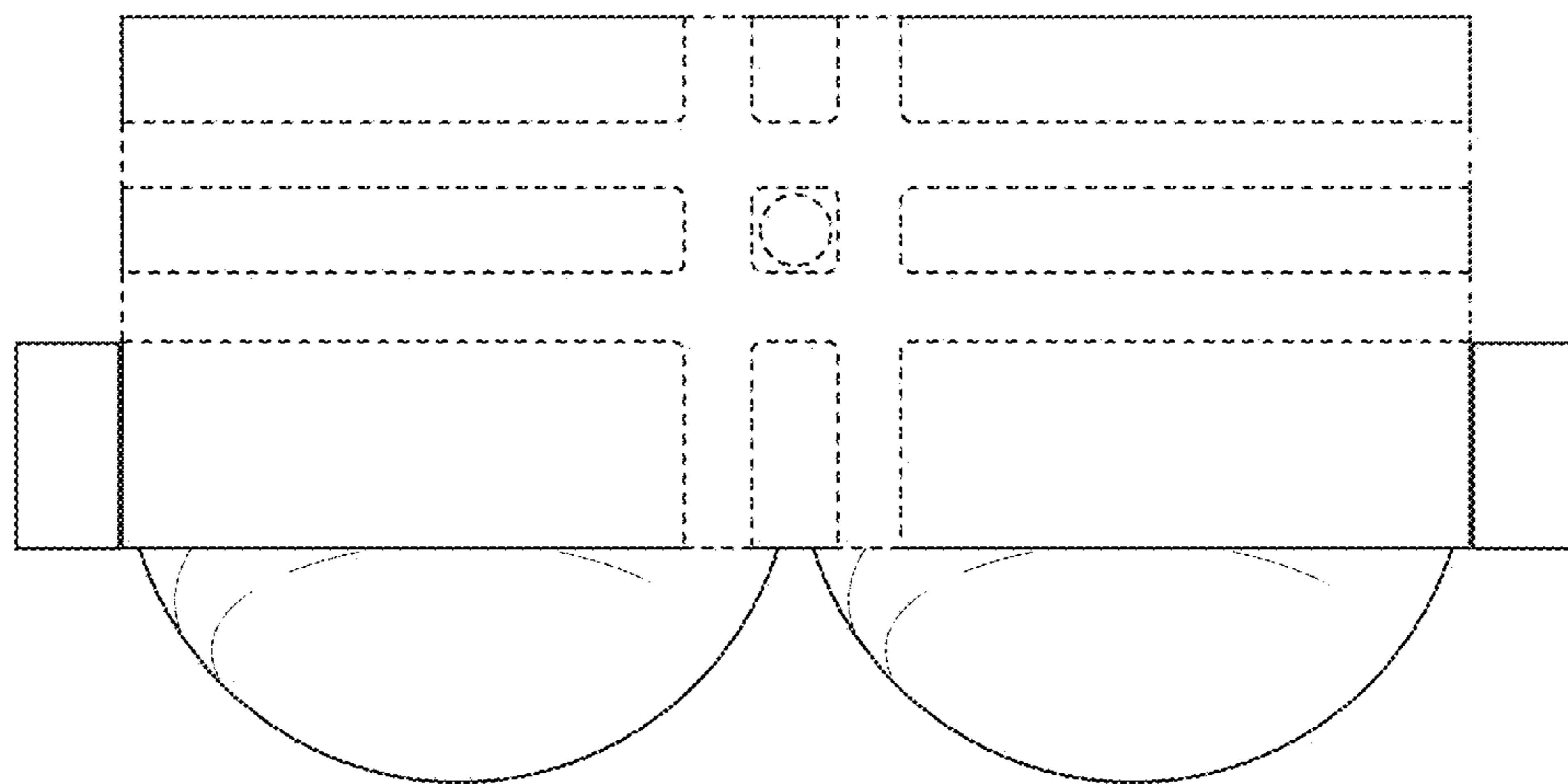


FIG. 7