



US00D914900S

(12) **United States Design Patent** (10) **Patent No.:** **US D914,900 S**
Le (45) **Date of Patent:** **** Mar. 30, 2021**

- (54) **PEDICURE BASE STATION**
- (71) Applicant: **Jonathan Le**, Orlando, FL (US)
- (72) Inventor: **Jonathan Le**, Orlando, FL (US)
- (73) Assignee: **Spa Nails Supply, Inc.**, Orlando, FL (US)
- (**) Term: **15 Years**
- (21) Appl. No.: **29/712,527**
- (22) Filed: **Nov. 8, 2019**
- (51) **LOC (13) Cl.** **23-02**
- (52) **U.S. Cl.**
USPC **D24/204**
- (58) **Field of Classification Search**
USPC D24/201–205, 213; D23/276–278,
D23/280.1–280.3
CPC A61H 33/6005; A61H 33/6021; A61H
33/6089; A61H 33/6094; A61H 2035/004;
A61H 35/006; A47K 3/022; A47K 3/062
See application file for complete search history.

D623,428 S *	9/2010	Galati, Jr.	D6/336
D664,664 S *	7/2012	Mai	D24/204
D707,836 S *	6/2014	Long	D24/204
D751,723 S *	3/2016	Le	D24/201
D757,283 S *	5/2016	Ton	D24/204
D757,284 S *	5/2016	Le	D24/204
D846,135 S *	4/2019	Pham	D24/204
2019/0104891 A1 *	4/2019	Tran	A61H 33/02

* cited by examiner

Primary Examiner — Anhdao Doan

(74) *Attorney, Agent, or Firm* — Jason T. Daniel, Esq.;
Daniel Law Offices, P.A.

(56) **References Cited**

U.S. PATENT DOCUMENTS

D571,018 S *	6/2008	Ton	D24/204
D622,858 S *	8/2010	Jan	D24/204

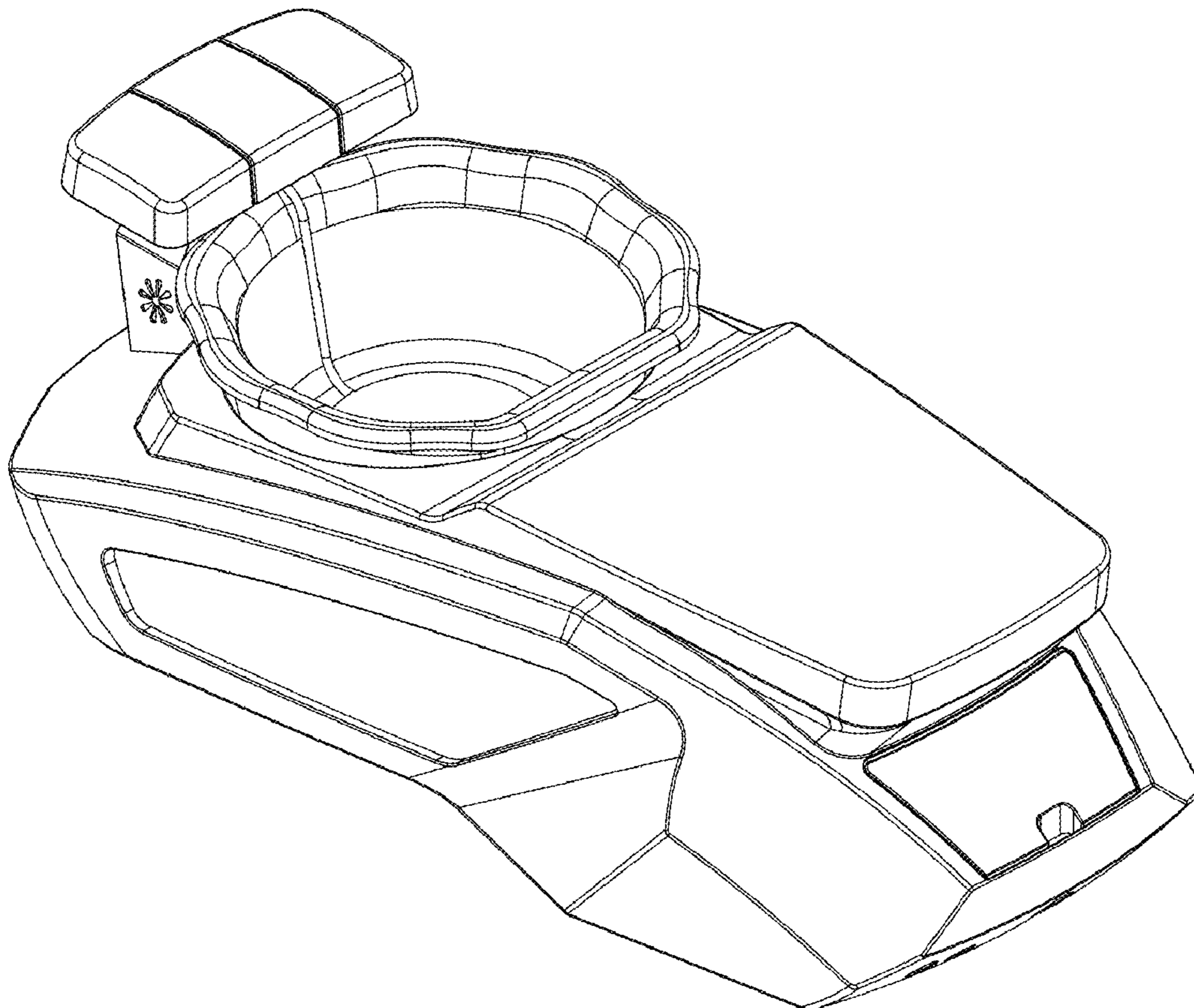
(57) **CLAIM**

The ornamental design for a pedicure base station, as shown and described.

DESCRIPTION

FIG. 1 is a top perspective view thereof,
FIG. 2 is a front view thereof,
FIG. 3 is a back view thereof,
FIG. 4 is a right side view thereof,
FIG. 5 is a left side view thereof,
FIG. 6 is a top view thereof; and,
FIG. 7 is a bottom view thereof.

1 Claim, 4 Drawing Sheets



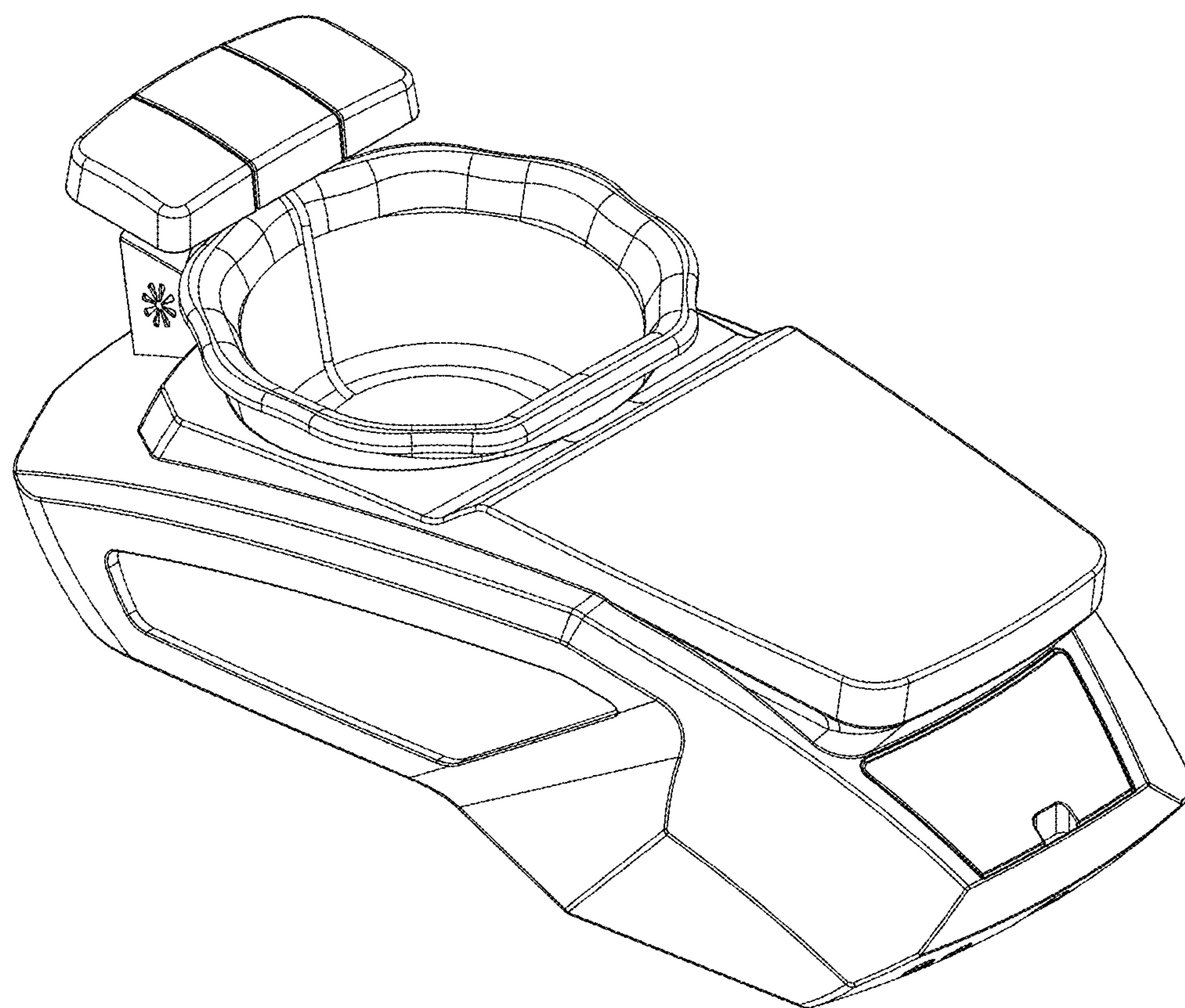


FIG. 1

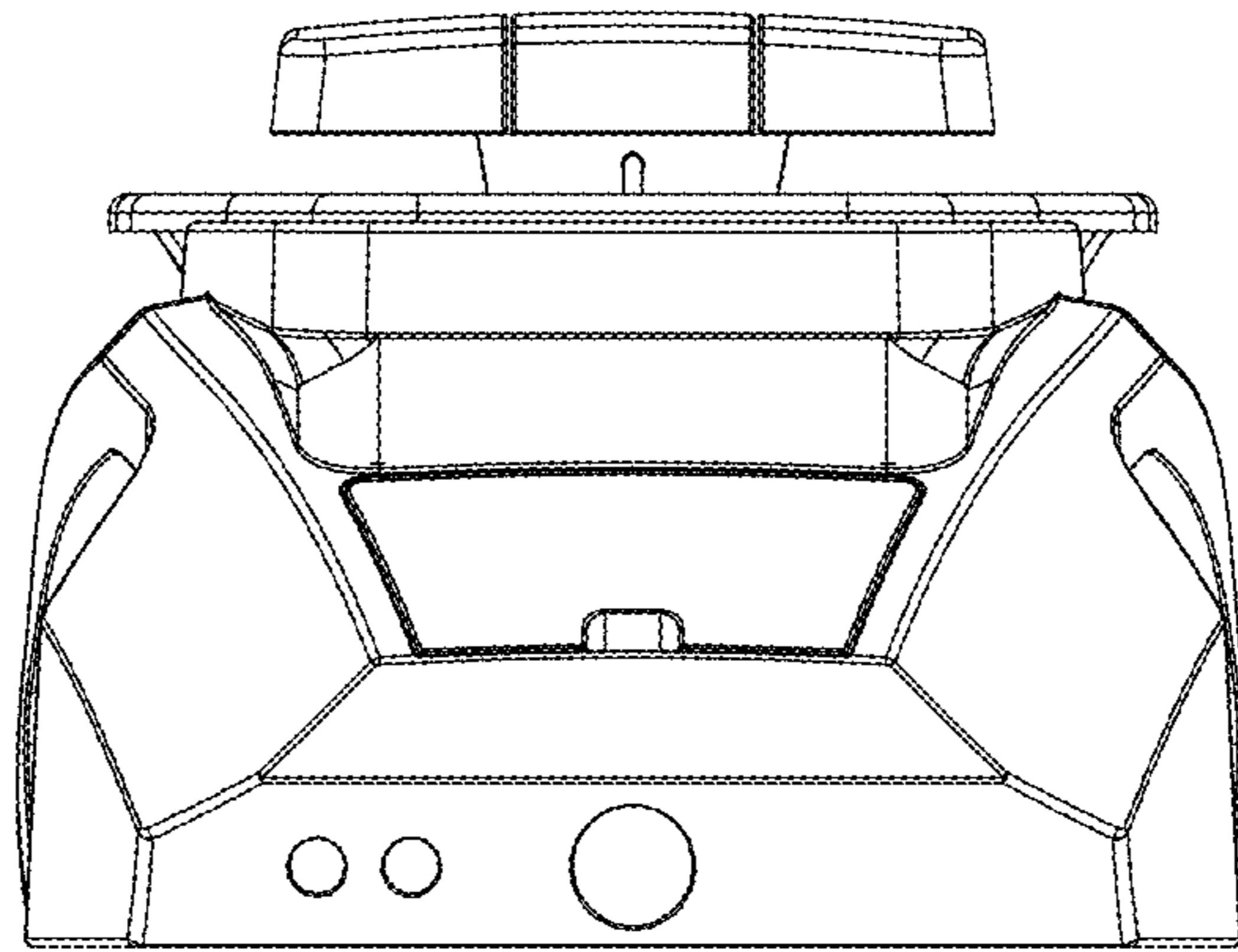


FIG. 2

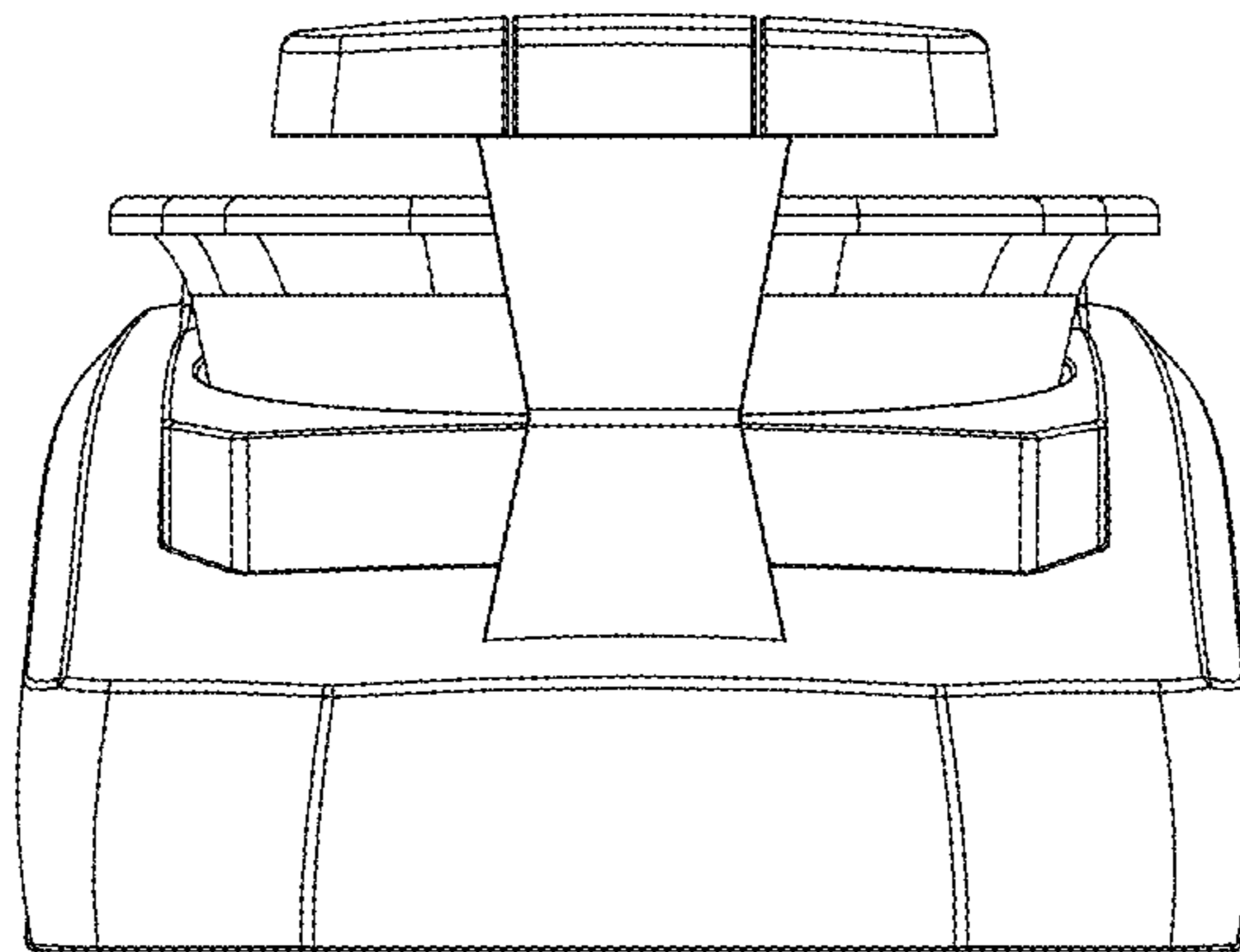


FIG. 3

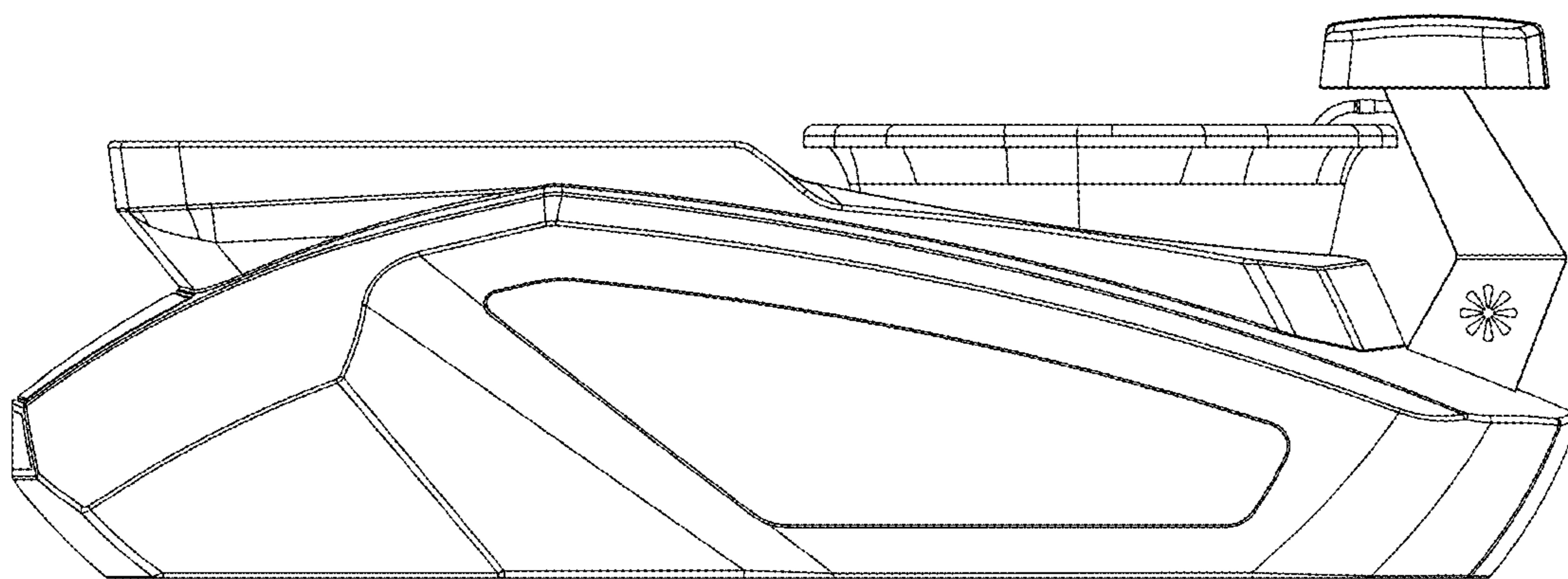


FIG. 4

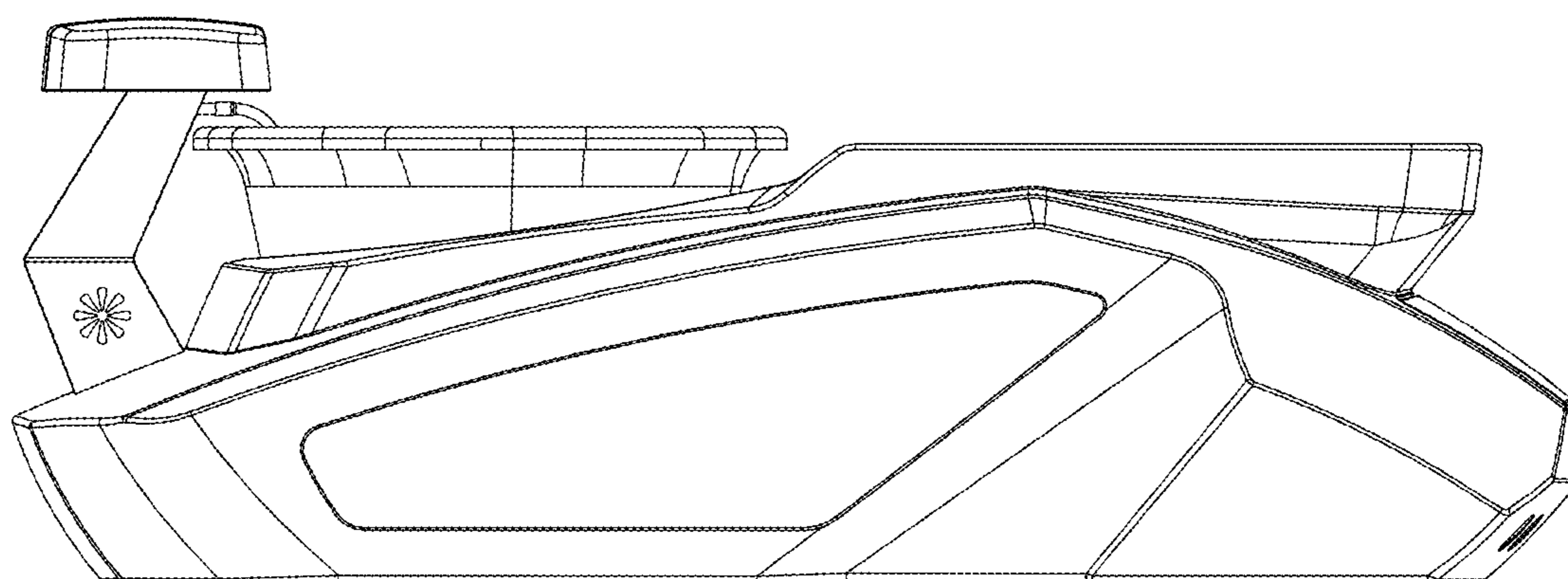


FIG. 5

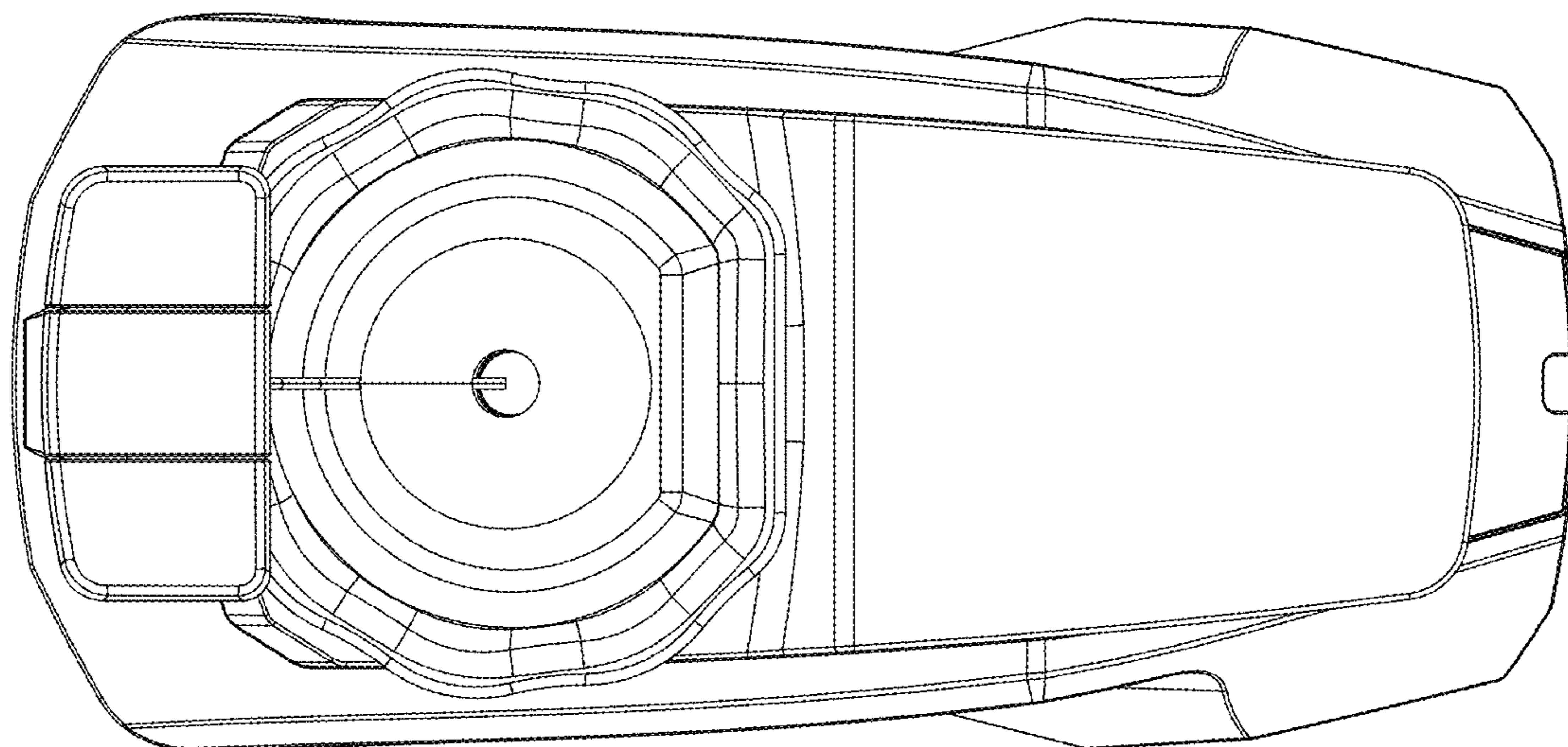


FIG. 6

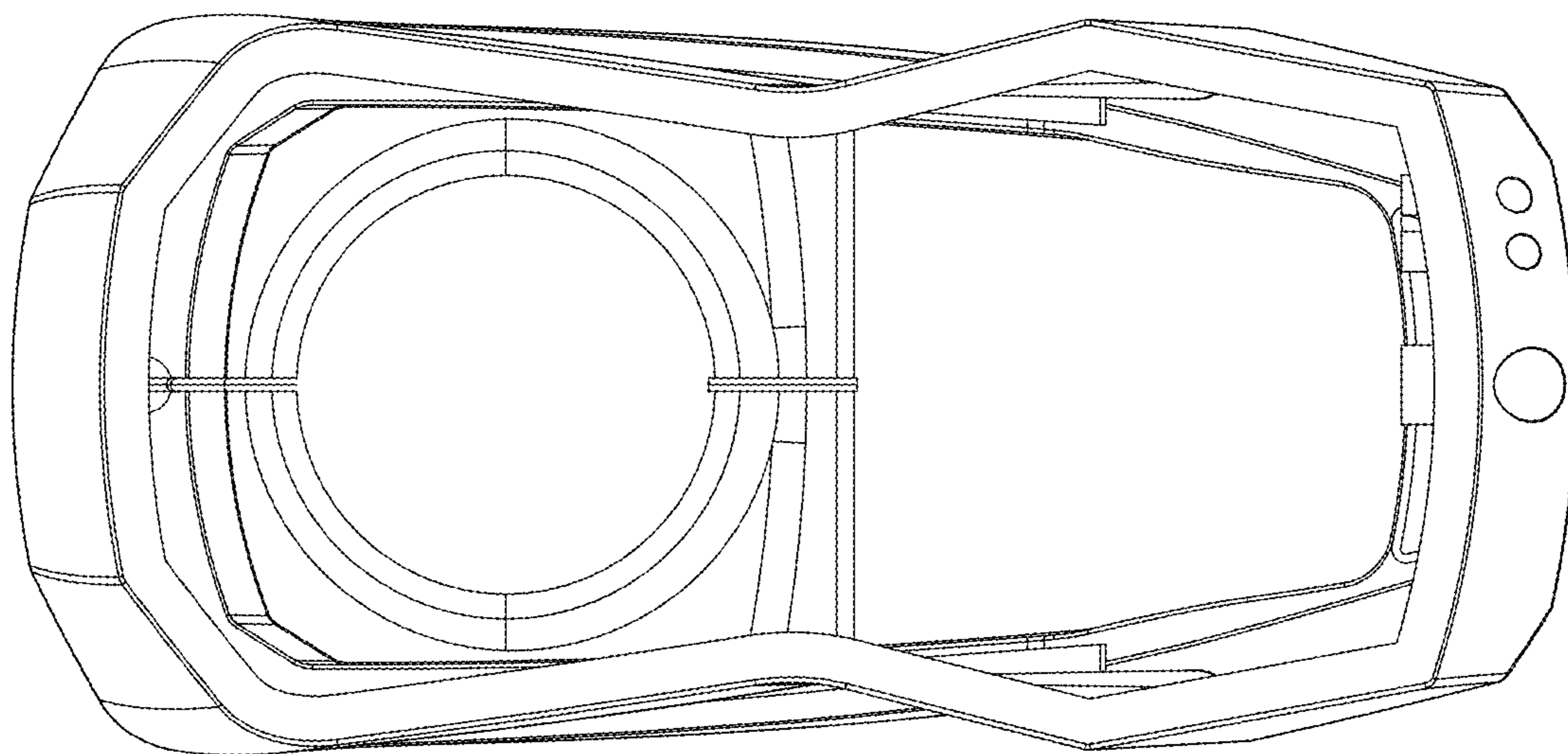


FIG. 7