



US00D914899S

(12) **United States Design Patent** (10) **Patent No.:** **US D914,899 S**  
**Le** (45) **Date of Patent:** **\*\* Mar. 30, 2021**

- (54) **PEDICURE BASE STATION**
- (71) Applicant: **Jonathan Le**, Orlando, FL (US)
- (72) Inventor: **Jonathan Le**, Orlando, FL (US)
- (73) Assignee: **Spa Nails Supply, Inc.**, Orlando, FL (US)
- (\*\*) Term: **15 Years**
- (21) Appl. No.: **29/703,980**
- (22) Filed: **Aug. 30, 2019**
- (51) **LOC (13) Cl.** ..... **23-02**
- (52) **U.S. Cl.**  
USPC ..... **D24/204**
- (58) **Field of Classification Search**  
USPC ..... D24/201–205, 213; D23/276–278,  
D23/280.1–280.3  
CPC ..... A61H 33/6005; A61H 33/6021; A61H  
33/6089; A61H 33/6094; A61H 2035/004;  
A61H 35/006; A47K 3/022; A47K 3/062  
See application file for complete search history.

- D623,428 S \* 9/2010 Galati, Jr. .... D6/336
- D664,664 S \* 7/2012 Mai ..... D24/204
- D707,836 S \* 6/2014 Long ..... D24/204
- D751,723 S \* 3/2016 Le ..... D24/201
- D757,283 S \* 5/2016 Ton ..... D24/204
- D757,284 S \* 5/2016 Le ..... D24/204
- D846,135 S \* 4/2019 Pham ..... D24/204
- 2019/0104891 A1\* 4/2019 Tran ..... A47K 3/001

\* cited by examiner

*Primary Examiner* — Anhdao Doan

(74) *Attorney, Agent, or Firm* — Jason T. Daniel, Esq.;  
Daniel Law Offices, P.A.

(56) **References Cited**

**U.S. PATENT DOCUMENTS**

- D571,018 S \* 6/2008 Ton ..... D24/204
- D622,858 S \* 8/2010 Jan ..... D24/204

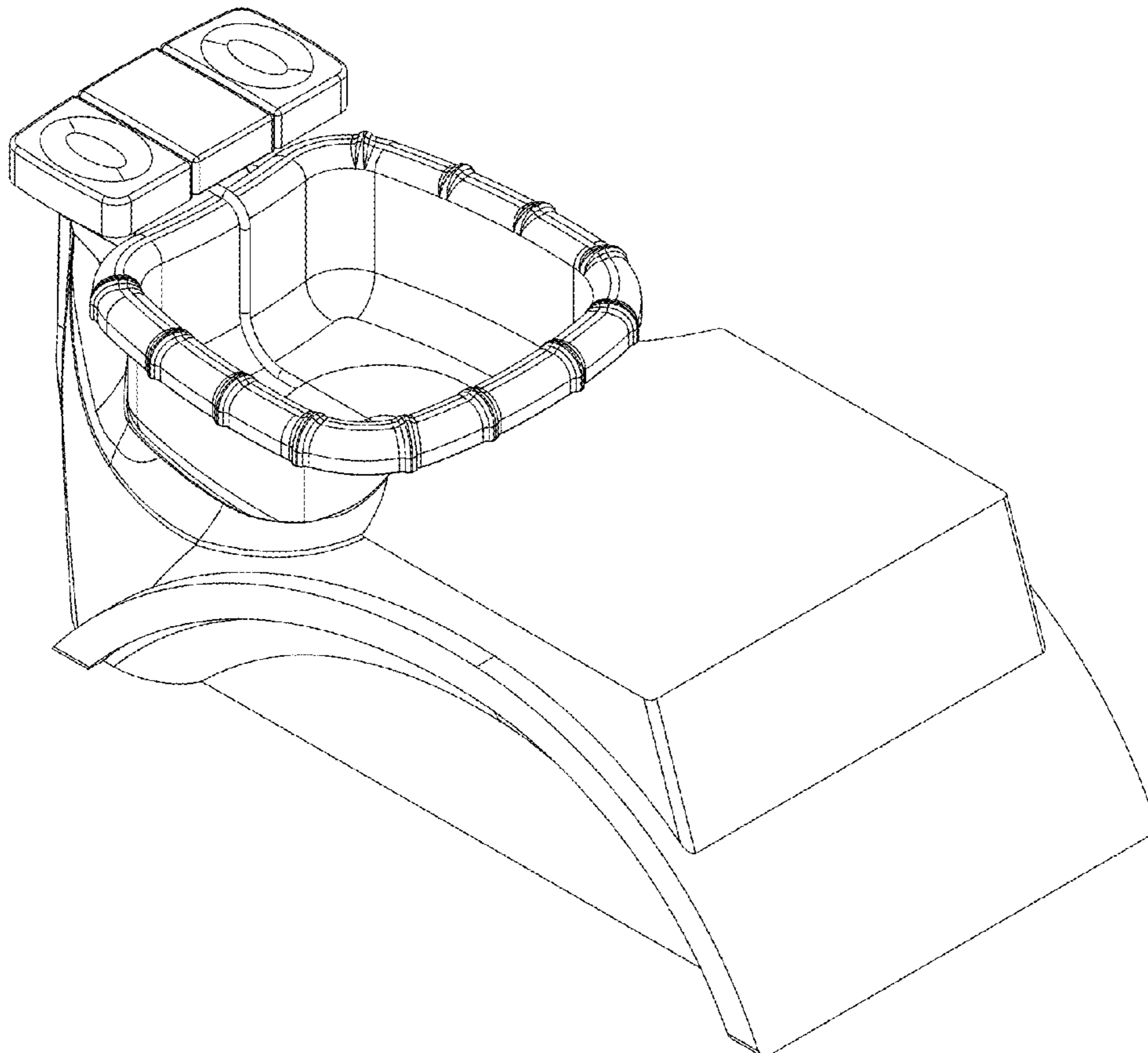
(57) **CLAIM**

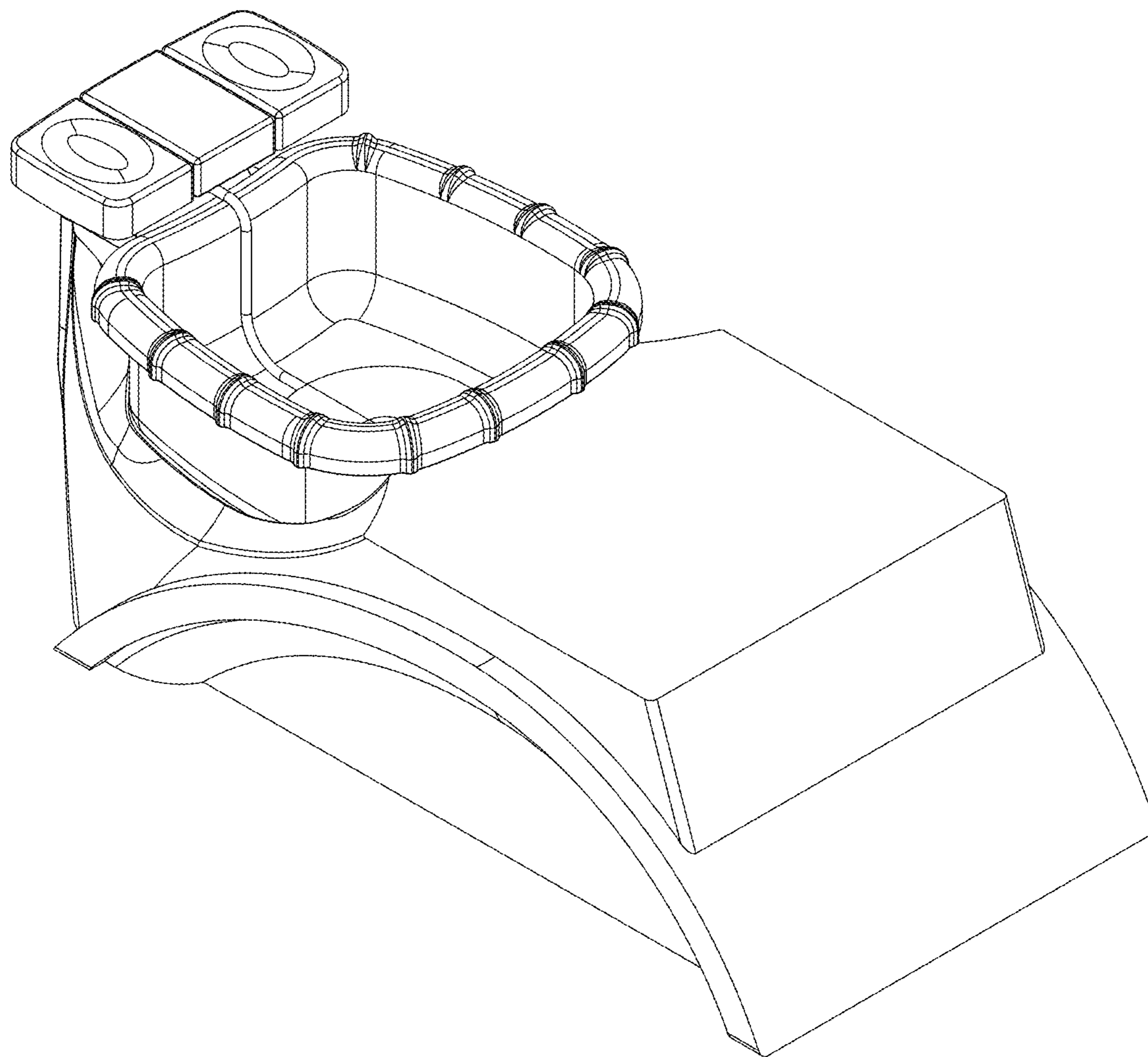
The ornamental design for a pedicure base station, as shown and described.

**DESCRIPTION**

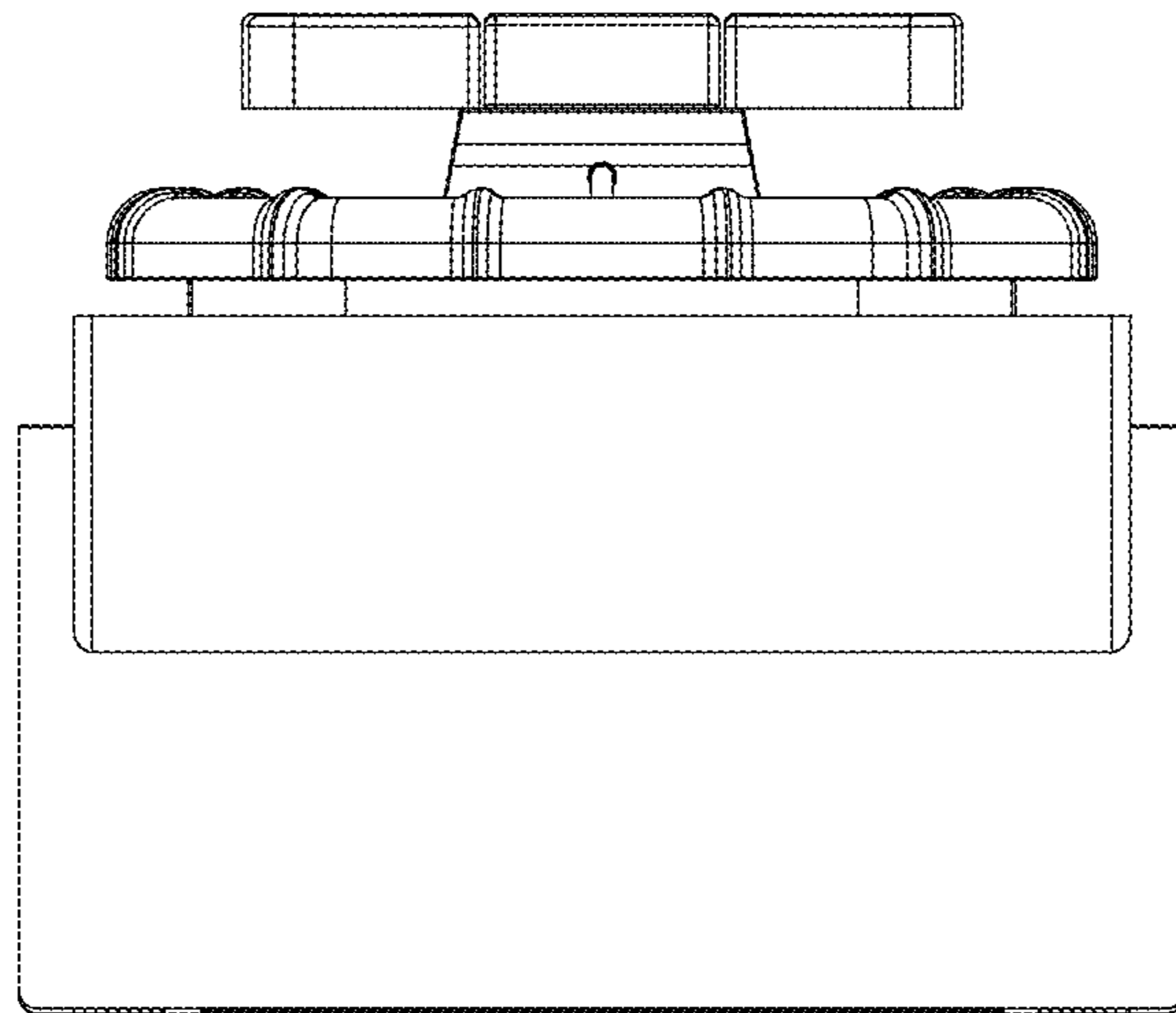
FIG. 1 is a top perspective view thereof,  
FIG. 2 is a front view thereof,  
FIG. 3 is a back view thereof,  
FIG. 4 is a right side view thereof,  
FIG. 5 is a left side view thereof,  
FIG. 6 is a top view thereof; and,  
FIG. 7 is a bottom view thereof.

**1 Claim, 4 Drawing Sheets**

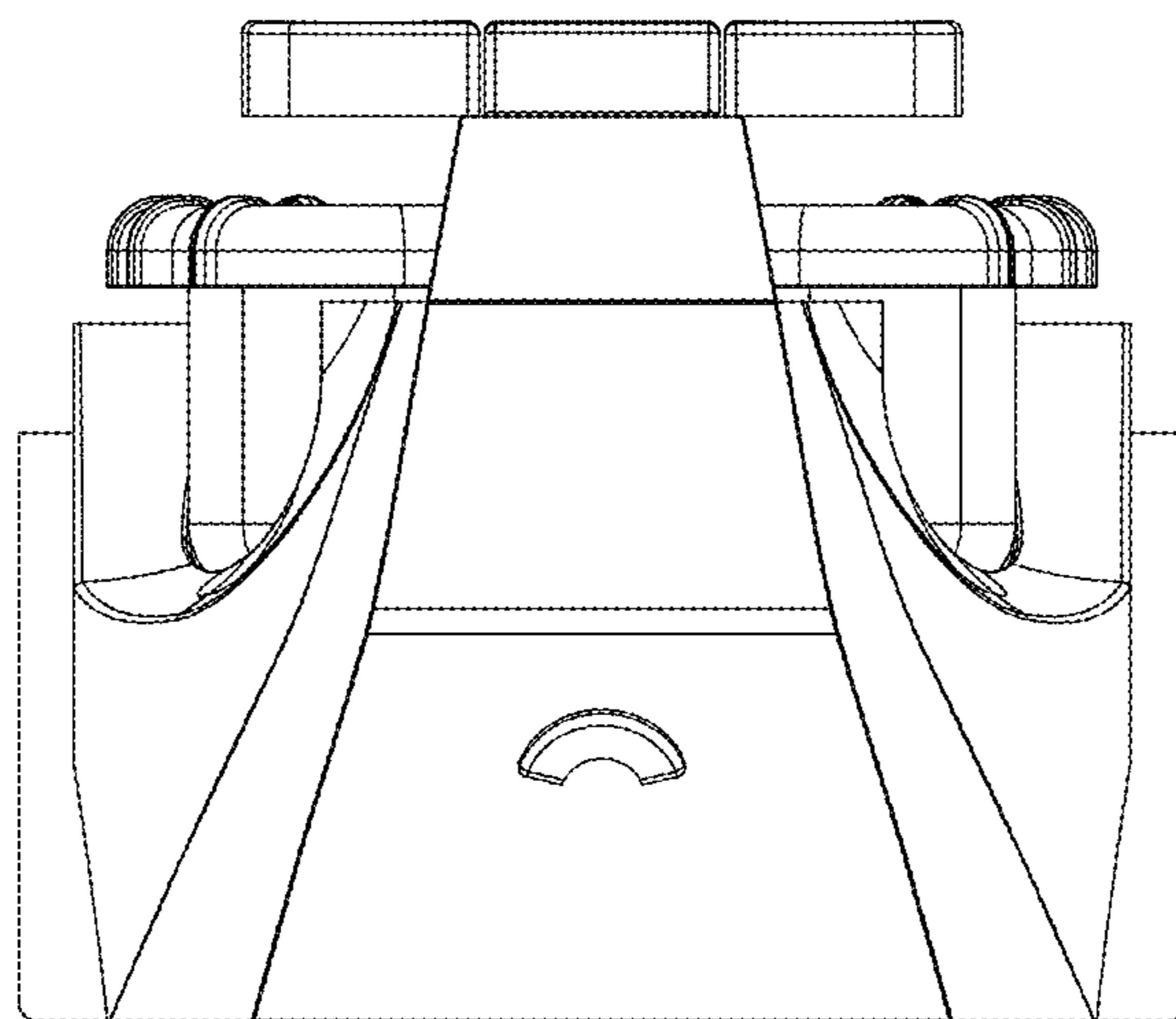




*FIG. 1*



*FIG. 2*



*FIG. 3*

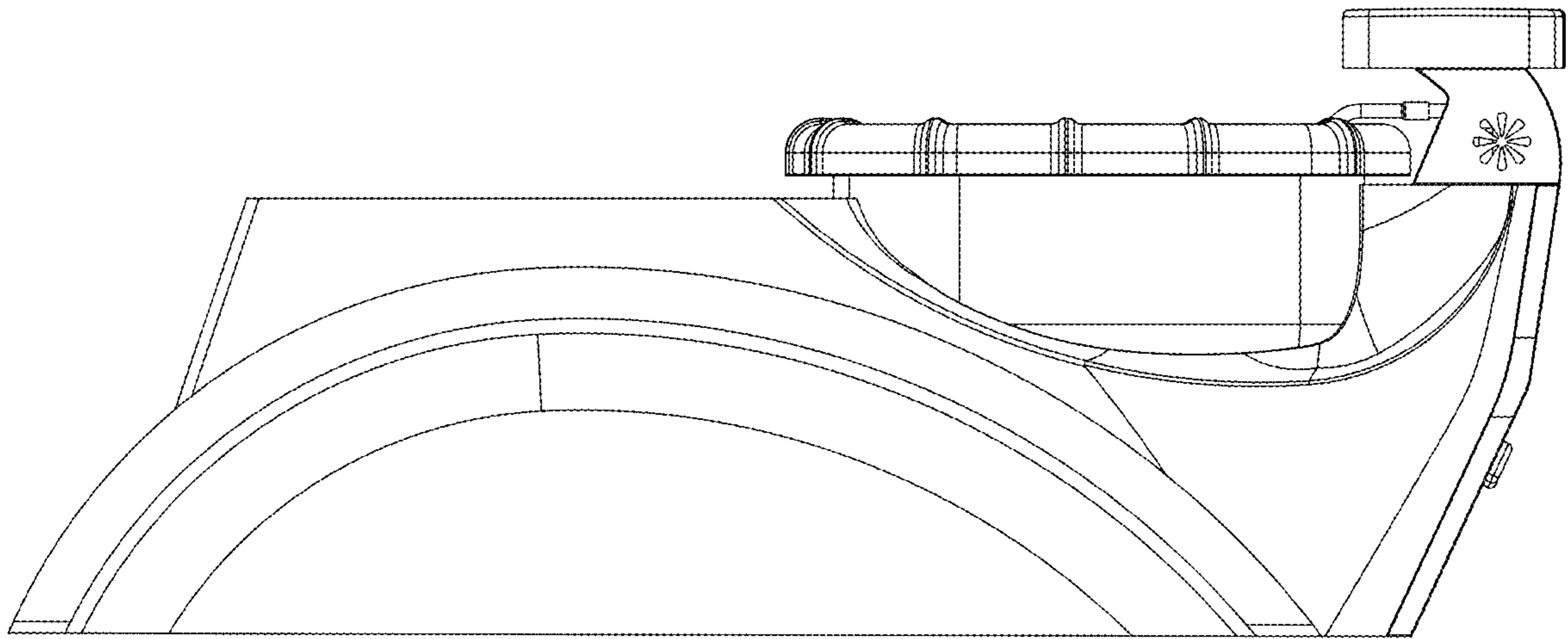


FIG. 4

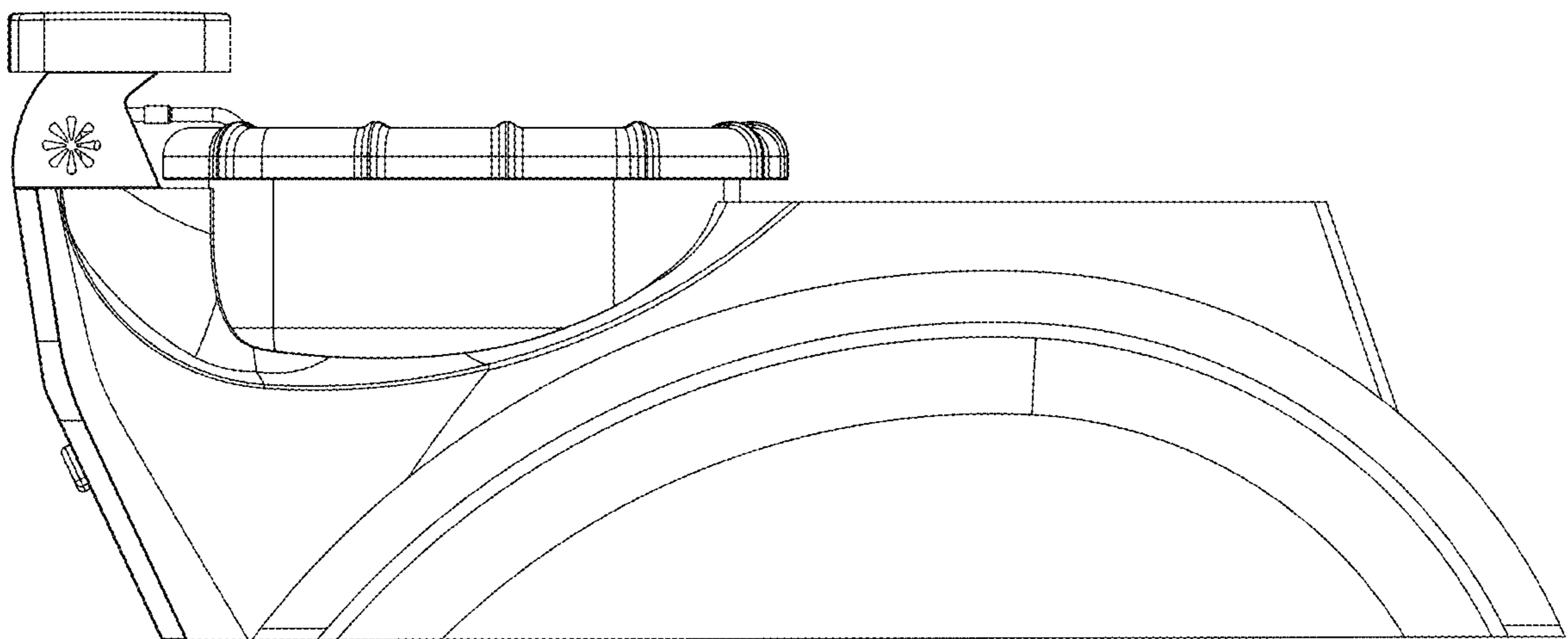
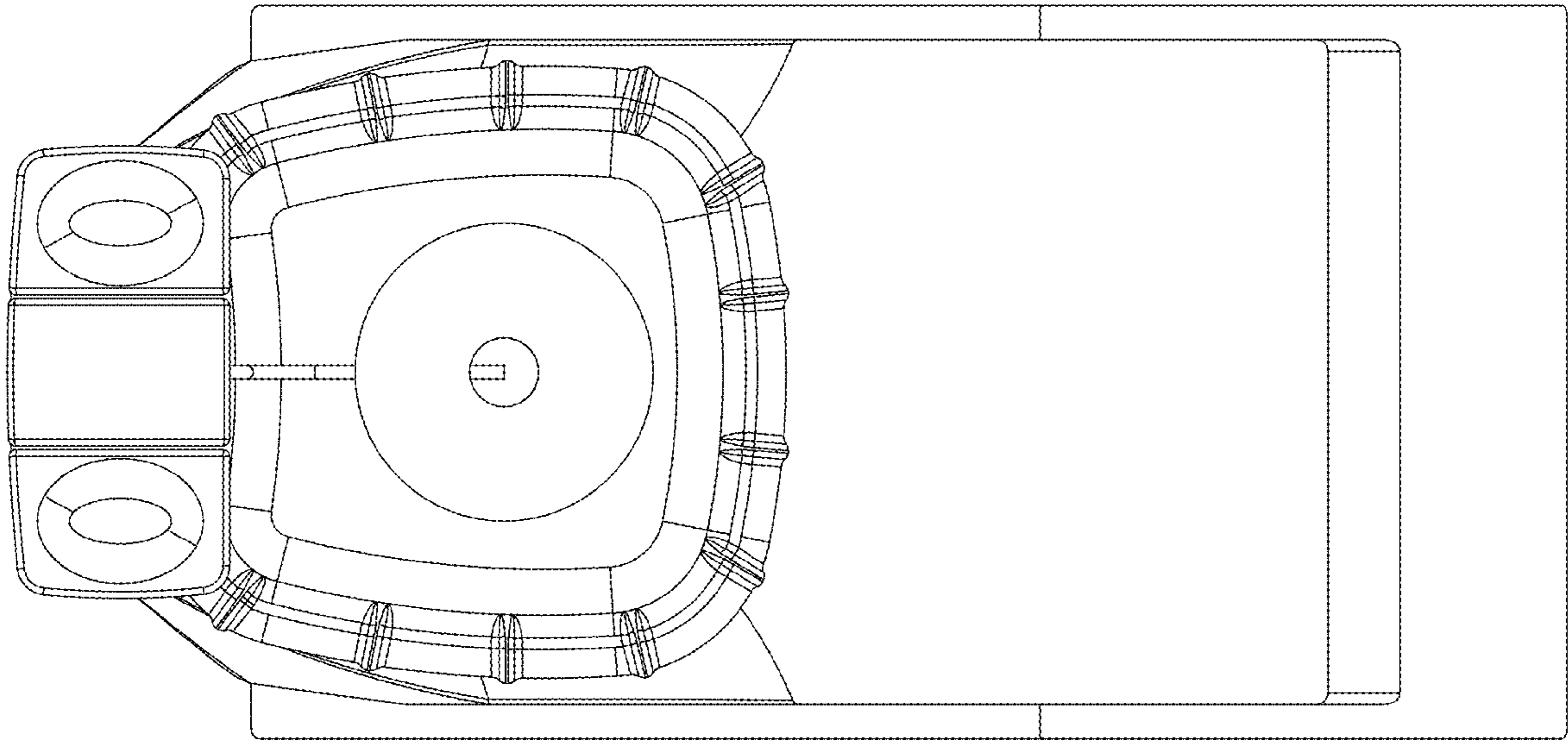
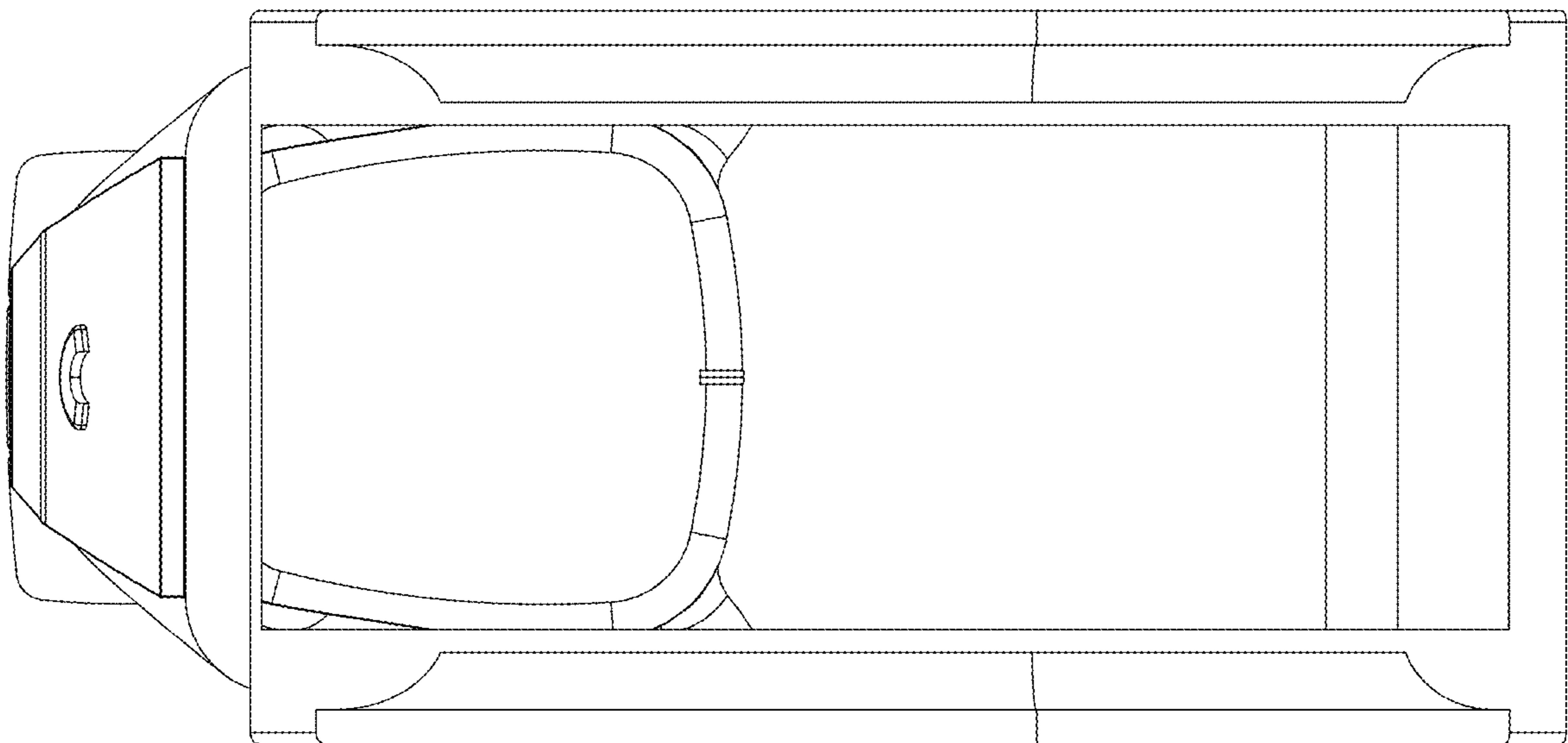


FIG. 5



*FIG. 6*



*FIG. 7*