



US00D914897S

(12) **United States Design Patent**
Woo

(10) **Patent No.:** **US D914,897 S**
(45) **Date of Patent:** **** Mar. 30, 2021**

(54) **FACIAL THERAPY SHROUD BODY**

FOREIGN PATENT DOCUMENTS

- (71) Applicant: **COIZ Co., Ltd.**, Seoul (KR)
- (72) Inventor: **Jae Hyun Woo**, Seoul (KR)
- (73) Assignee: **COIZ Co., Ltd.**, Seoul (KR)
- (**) Term: **15 Years**

CN	304836298 S	9/2018
JP	3207572 U	10/2016
KR	10-1899572 B1	9/2018
KR	30-0997860	3/2019
KR	10-2019-0085757	7/2019

* cited by examiner

Primary Examiner — Wan Laymon

(74) *Attorney, Agent, or Firm* — Bachman & LaPointe, P.C.

(21) Appl. No.: **29/704,376**

(22) Filed: **Sep. 4, 2019**

(51) **LOC (13) Cl.** **28-03**

(52) **U.S. Cl.**
USPC **D24/200**

(58) **Field of Classification Search**
USPC D24/200, 215, 110.1; D29/105–106
CPC A61H 7/00; A61H 7/001; A61H 39/00;
A61H 39/007; A61H 2201/165; A61H
2205/022; A45D 44/002; A61N 5/0616;
A61N 2005/0645; A61N 2005/0647
See application file for complete search history.

(57) **CLAIM**

The ornamental design for a facial therapy shroud body, as shown and described.

DESCRIPTION

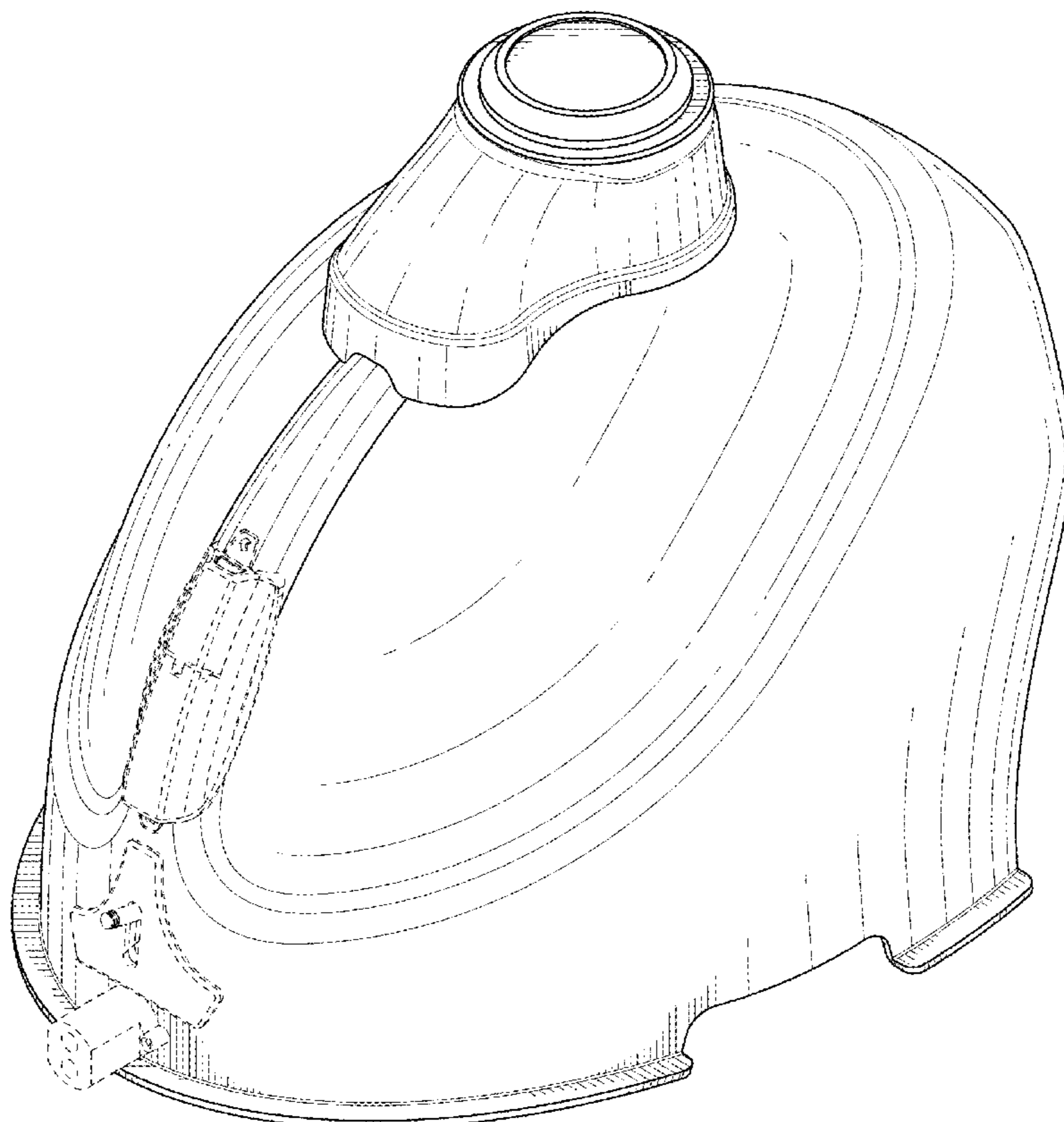
FIG. 1 is a view of a facial therapy shroud body.
FIG. 2 is a rear view of the facial therapy shroud body.
FIG. 3 is a front view of the facial therapy shroud body.
FIG. 4 is a right side view of the facial therapy shroud body.
FIG. 5 is a left side view of the facial therapy shroud body.
FIG. 6 is a top view of the facial therapy shroud body; and,
FIG. 7 is a bottom view of the facial therapy shroud body.
The broken line showing of mechanical/electrical workings is for the purpose of illustrating portions of the facial therapy shroud body and forms no part of the claimed design.

(56) **References Cited**

U.S. PATENT DOCUMENTS

4,787,372 A *	11/1988	Ramseyer	A61H 7/006 D29/108
D434,852 S *	12/2000	Kim	D24/200
D457,642 S *	5/2002	Cunningham	D24/200
D897,548 S *	9/2020	Liu	D24/200
2016/0310757 A1 *	10/2016	Pepitone	A61N 5/0616

1 Claim, 7 Drawing Sheets



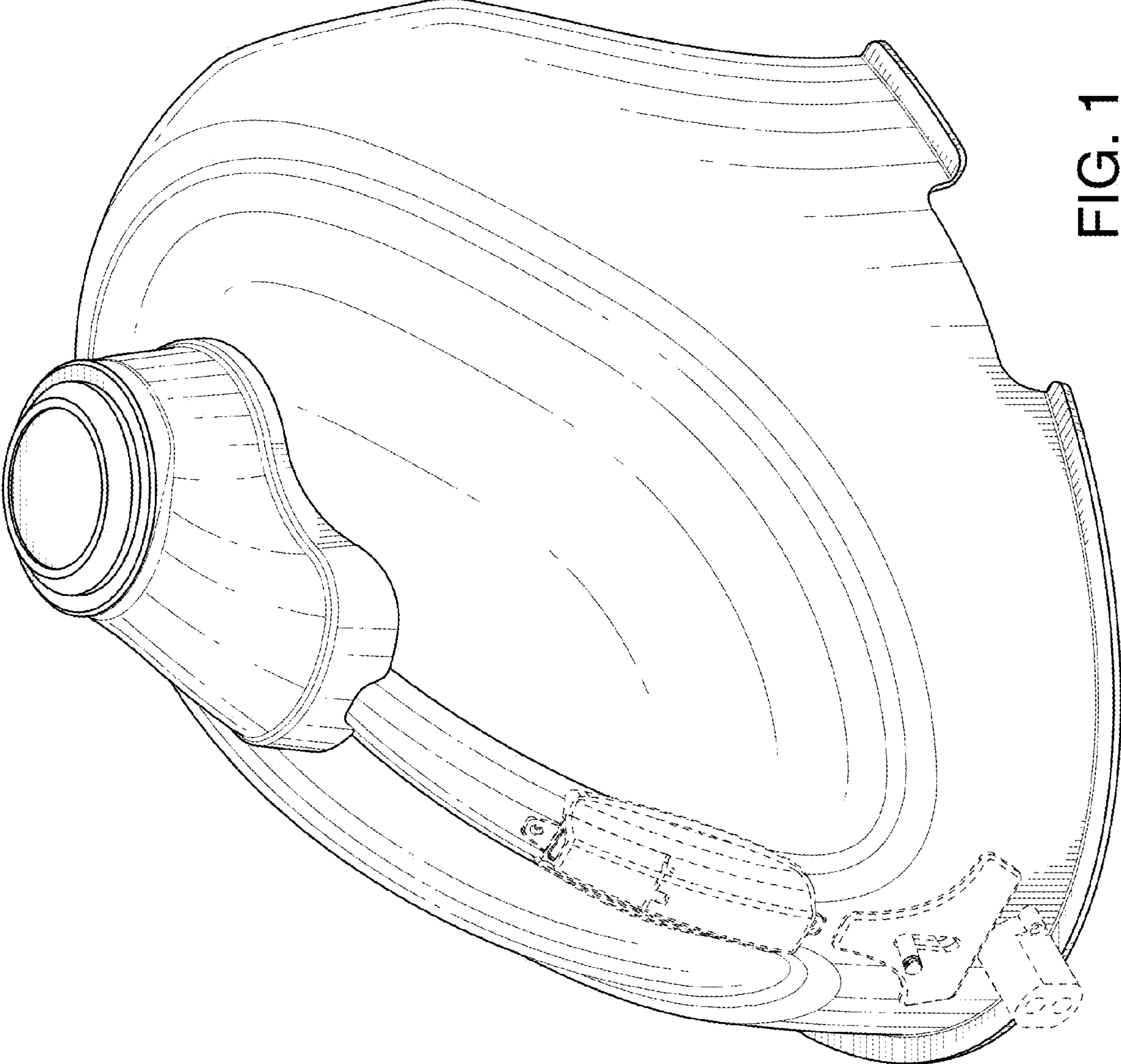


FIG. 1

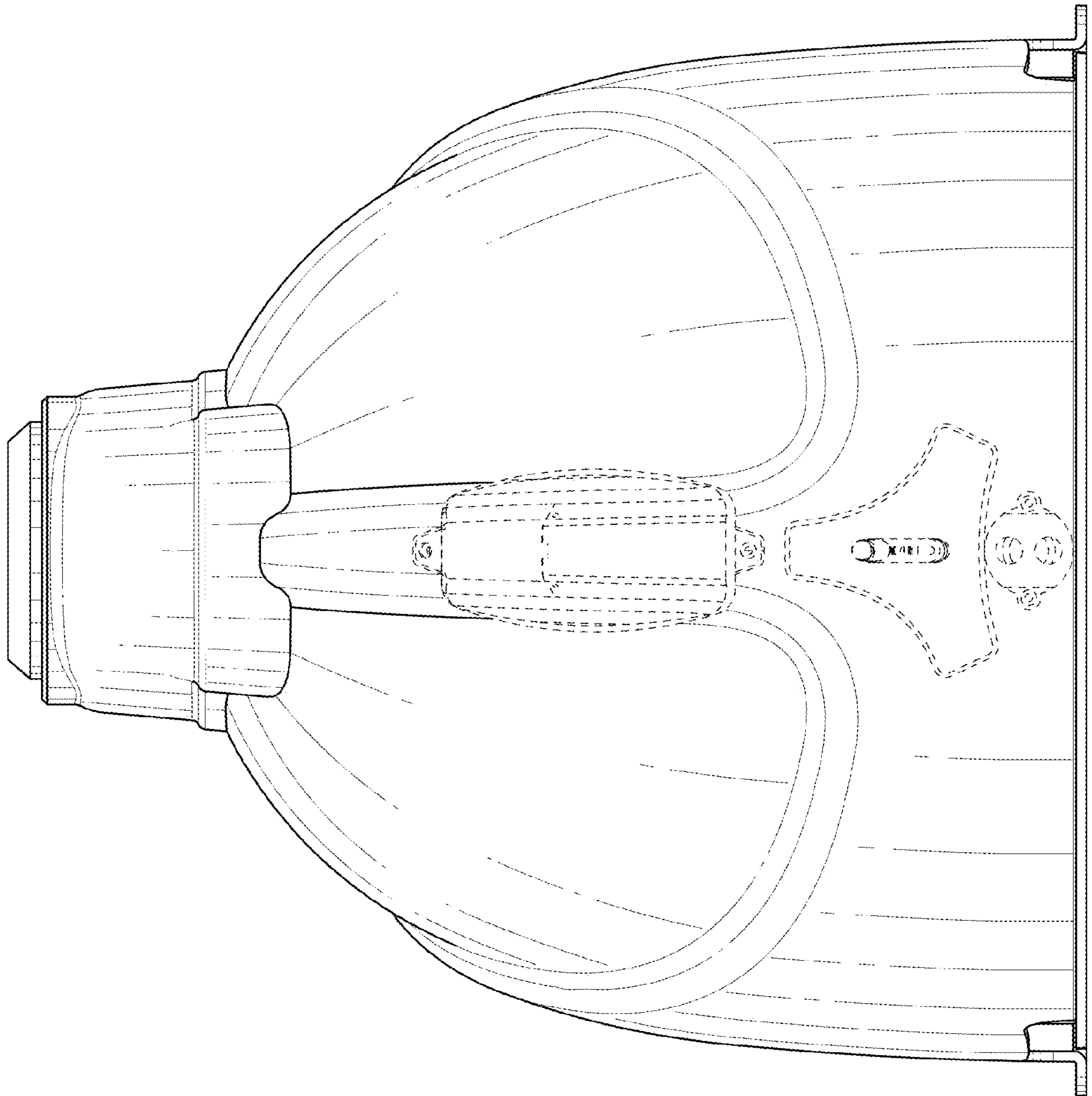


FIG. 2

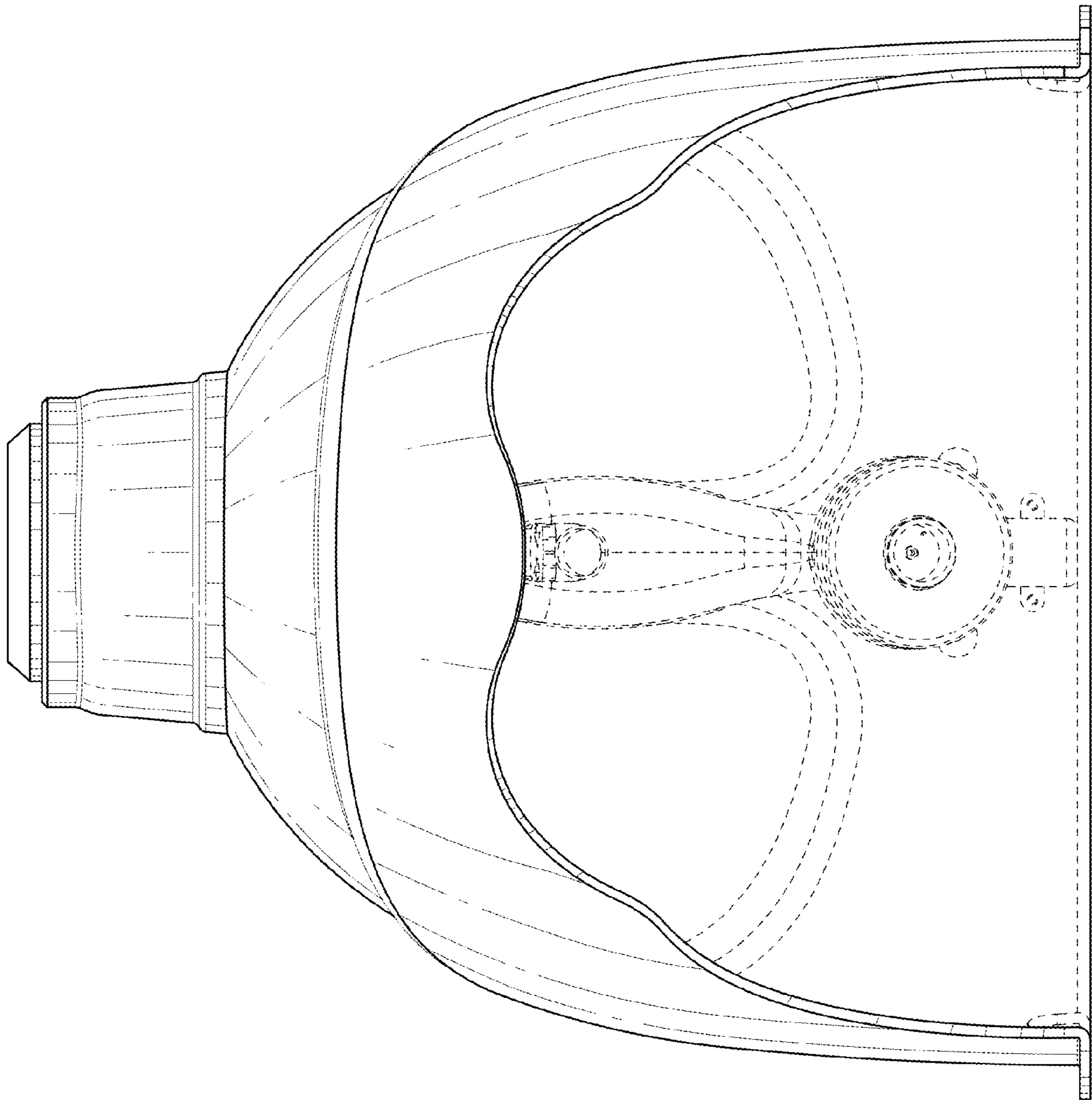


FIG. 3

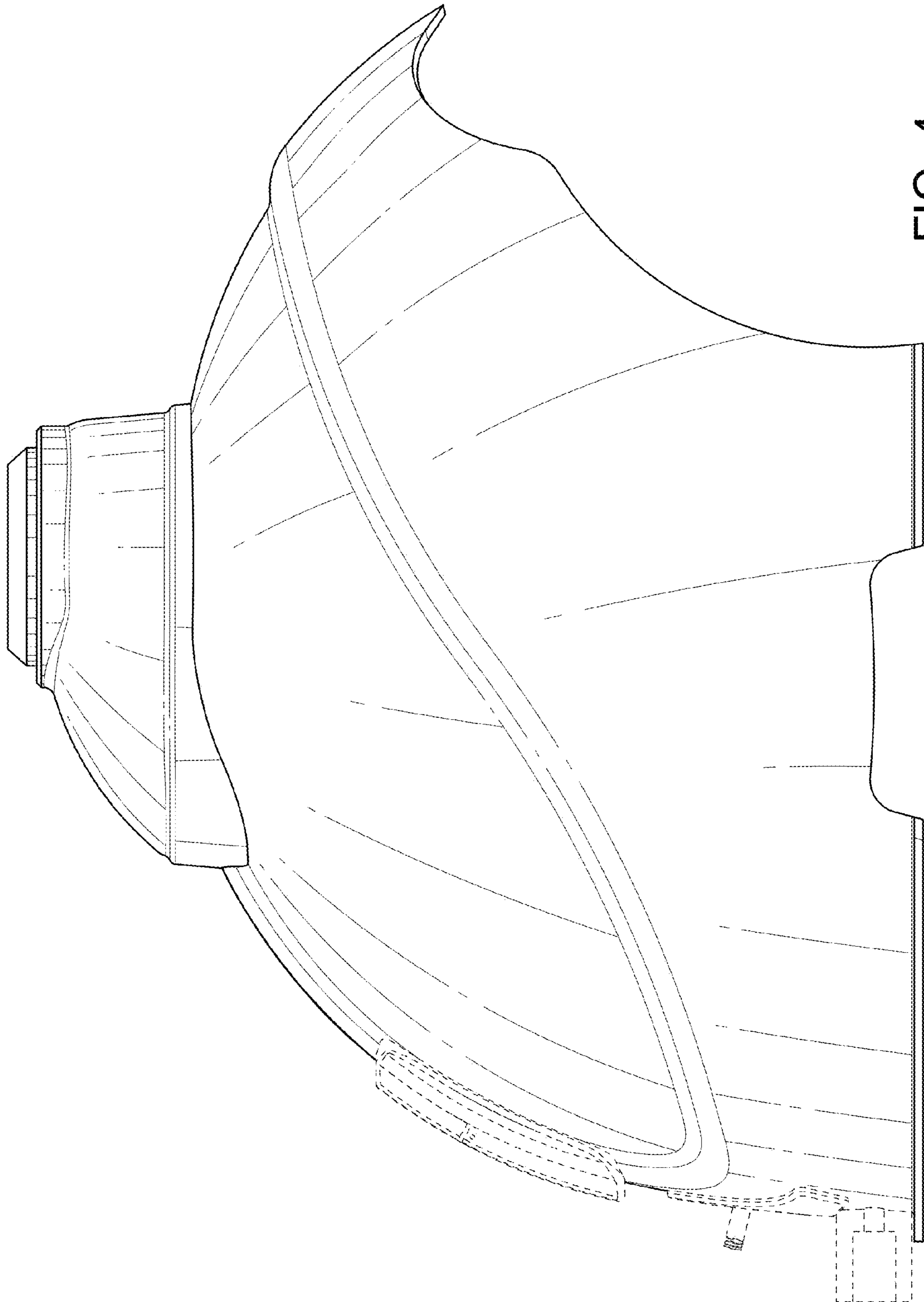


FIG. 4

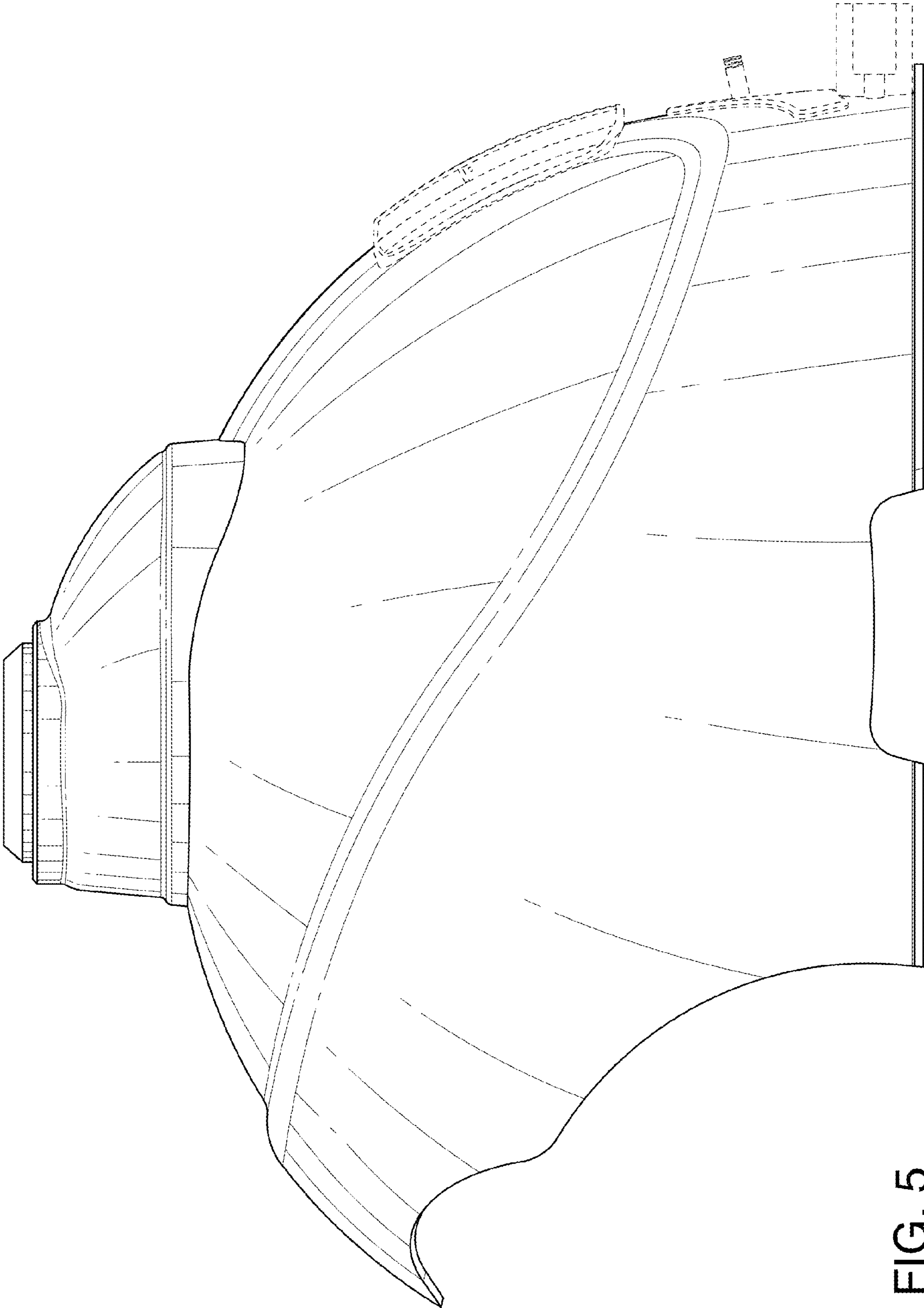


FIG. 5

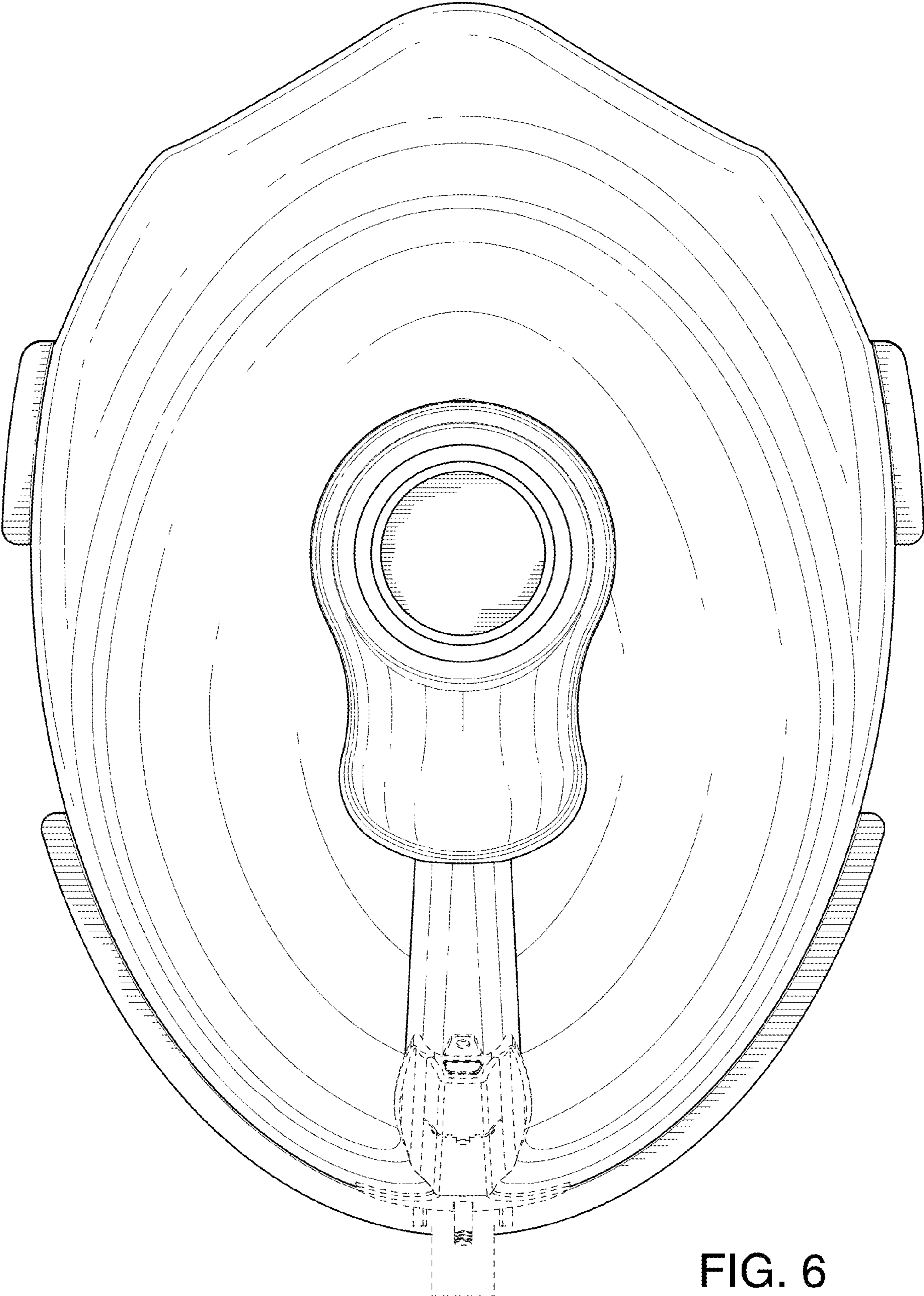


FIG. 6

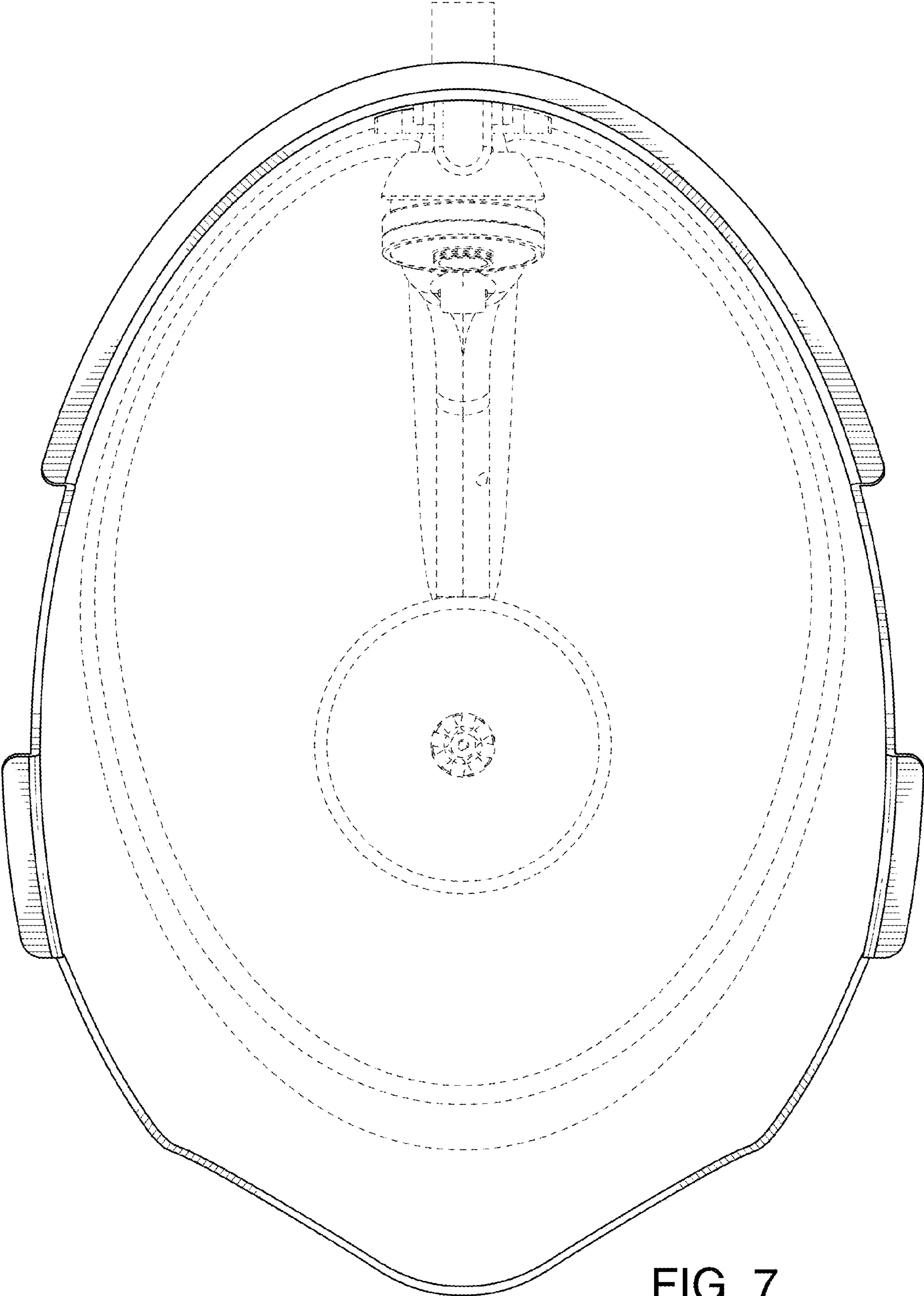


FIG. 7