



US00D914896S

(12) **United States Design Patent**  
**Hoshino et al.**

(10) **Patent No.:** **US D914,896 S**

(45) **Date of Patent:** **\*\* Mar. 30, 2021**

(54) **BRAIN FUNCTION MEASUREMENT  
DEVICE**

(71) Applicant: **NeU Corporation**, Tokyo (JP)

(72) Inventors: **Takeshi Hoshino**, Tokyo (JP);  
**Takushige Katsura**, Tokyo (JP); **Ryuta  
Kawashima**, Tokyo (JP)

(73) Assignee: **NEU CORPORATION**, Tokyo (JP)

(\*\*) Term: **15 Years**

(21) Appl. No.: **29/685,827**

(22) Filed: **Apr. 1, 2019**

(30) **Foreign Application Priority Data**

Oct. 2, 2018 (JP) ..... 2018-021579

(51) **LOC (13) Cl.** ..... **28-03**

(52) **U.S. Cl.**  
USPC ..... **D24/200**; D24/186

(58) **Field of Classification Search**  
USPC ..... D24/191, 200, 201, 206, 207, 208,  
D24/211–215, 111, 165, 185, 186, 182,  
D24/183, 184, 187, 188, 189, 190, 192;  
D23/314, 332, 333, 351; D3/327;  
D29/121.1, 101.2, 101.5, 120.1; D10/75,  
D10/78

CPC ..... A61H 1/00; A61H 2015/0007; A61H  
2015/0014; A61H 2015/0042; A61H  
15/00; A61H 11/00; A61H 21/00; A61H  
37/00; A61H 15/0092; A61H 2201/0207;  
A61H 2201/0221; A61H 2201/0228;  
A61H 2039/005; A61F 7/00; A61F 7/02;  
A61F 7/03; A61F 7/007; A61F 7/034;  
A61F 2013/00187; A61F 2013/00204;  
A61F 2013/00906; A61F 2007/0225;  
A61F 2007/0071; A61F 2007/0072; A61F  
2007/0087; A61F 2007/0088; A61F

(Continued)

(56) **References Cited**

U.S. PATENT DOCUMENTS

D344,942 S \* 3/1994 Gilman ..... D14/155  
D350,205 S \* 8/1994 Yamasaki ..... D24/200

(Continued)

OTHER PUBLICATIONS

NeU XB-01, [site visited Aug. 10, 2020]. Available from Internet.  
URL: <http://neu-brains.site/en/brain-activity-measurement/> (Year:  
2020).\*

*Primary Examiner* — T Chase Nelson

*Assistant Examiner* — Kelly L Gross

(57) **CLAIM**

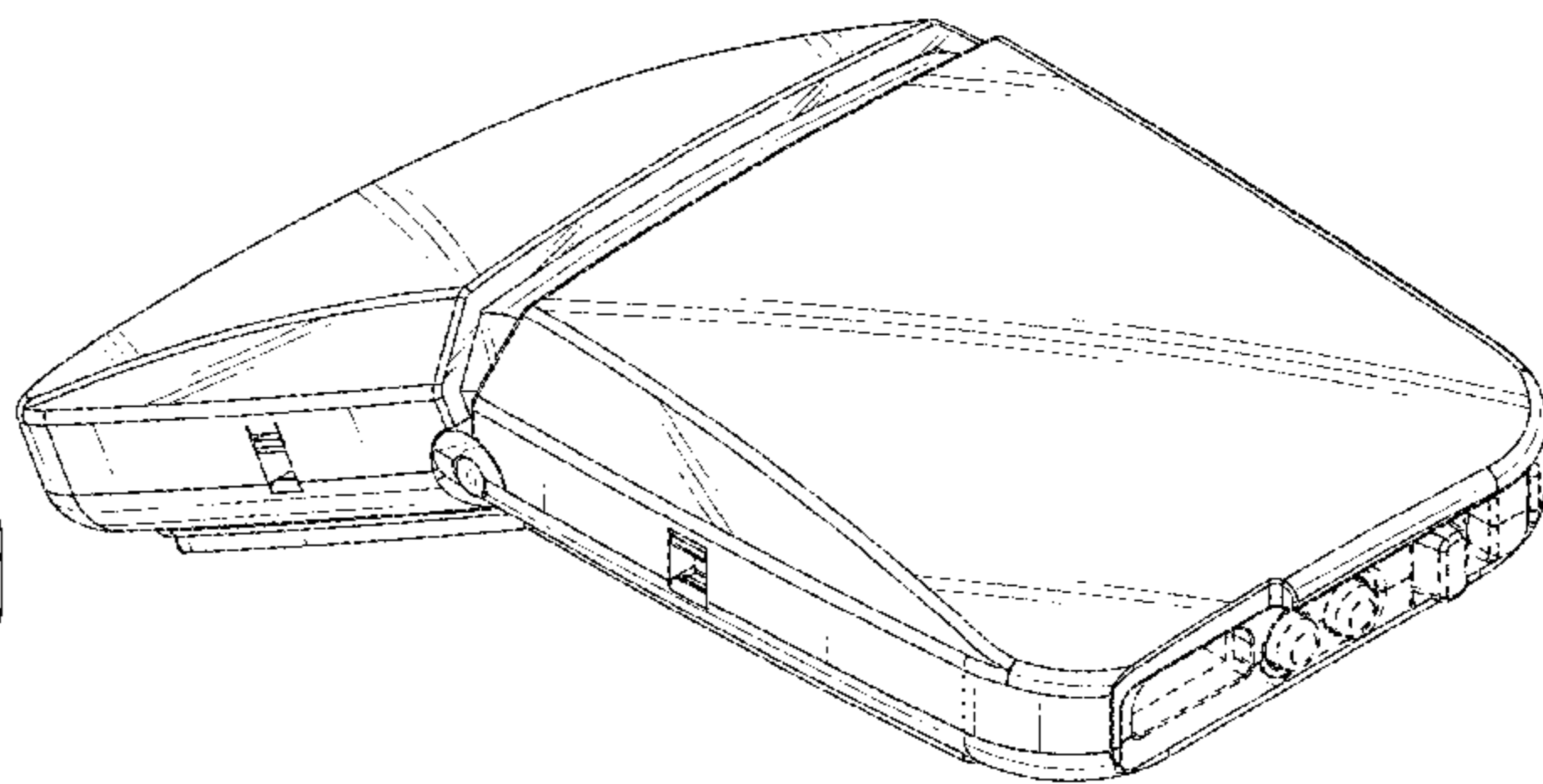
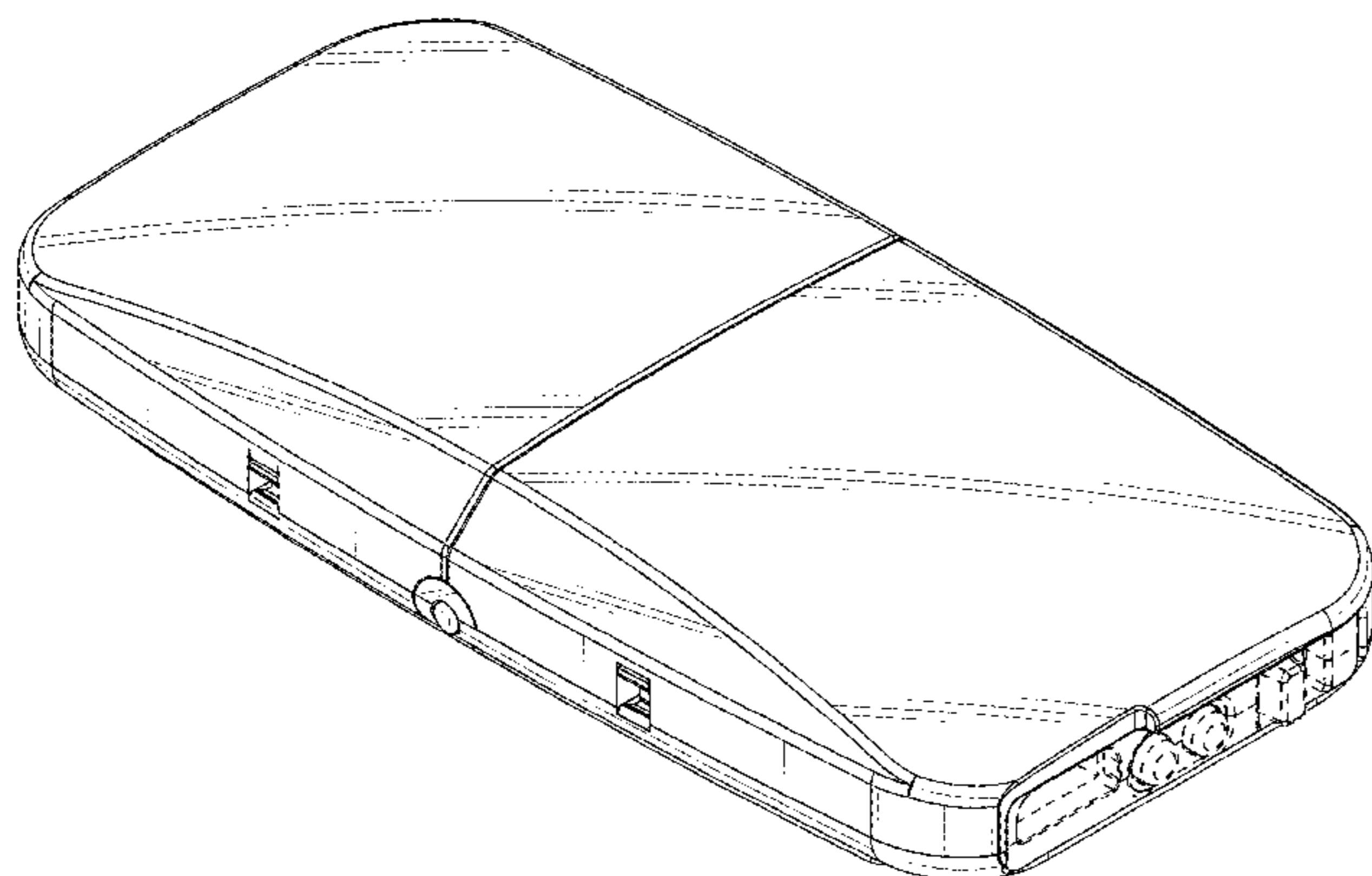
The ornamental design for a brain function measurement  
device, as shown and described.

**DESCRIPTION**

FIG. 1 is a front top right perspective view of a brain  
function measurement device showing our new design;  
FIG. 2 is a front bottom right perspective view thereof;  
FIG. 3 is a front elevational view thereof;  
FIG. 4 is a rear elevational view thereof;  
FIG. 5 is a right side elevational view thereof;  
FIG. 6 is a left side view thereof;  
FIG. 7 is a top plan view thereof;  
FIG. 8 is a bottom plan view thereof;  
FIG. 9 is a front top right perspective view thereof showing  
an alternate configuration where the brain function measure-  
ment device is in a bended state thereof;  
FIG. 10 is a front elevational view thereof; and,  
FIG. 11 is a rear elevational view thereof.

The broken lines in the drawings showing the brain function  
measurement device illustrate portions thereof that form no  
part of the claimed design. The dot-dash broken lines define  
the boundaries of the claimed design and also form no part  
of the claimed design.

**1 Claim, 9 Drawing Sheets**



(58) **Field of Classification Search**

CPC .... 2007/0089; A61F 7/08; A61F 7/086; A61F 7/10; A61F 7/103; A61F 2007/0001; A61F 2007/0002; A61F 2007/003; A61F 2007/0219; A61F 2007/022; A61F 2007/023; A61F 2007/0231; A61F 2007/108; A61F 7/106; A61F 2007/0011; A61F 2007/0249; A61F 2007/0098; A61N 1/403; A61N 5/06; A61N 2005/006; A61N 2005/0659; A61N 2005/0644; A61N 1/36; A61N 1/36003; A61N 1/36014; A61N 1/0404; A61N 1/0456; A61N 1/36021; A61N 5/0613; A61N 5/0616

See application file for complete search history.

(56) **References Cited**

U.S. PATENT DOCUMENTS

D350,206 S \* 8/1994 Mochida ..... D24/200  
 D359,806 S \* 6/1995 Mikler ..... D24/189  
 D383,212 S \* 9/1997 Okabe ..... D24/200  
 D510,288 S \* 10/2005 Arnoux ..... D10/78  
 D562,985 S \* 2/2008 Brefka ..... D24/186  
 D568,479 S \* 5/2008 Mao ..... D24/168  
 D598,552 S \* 8/2009 Potts ..... D24/187  
 D598,553 S \* 8/2009 Potts ..... D24/187  
 D607,574 S \* 1/2010 de Buor ..... D24/210  
 D625,016 S \* 10/2010 Potts ..... D24/187  
 D631,552 S \* 1/2011 Kasabach ..... D24/186  
 D634,435 S \* 3/2011 Chua ..... D24/186  
 D642,281 S \* 7/2011 Bachinski ..... D24/200  
 D645,968 S \* 9/2011 Kasabach ..... D24/186  
 D659,836 S \* 5/2012 Bensch ..... D24/167  
 D676,134 S \* 2/2013 Sævareid ..... D24/167  
 D679,815 S \* 4/2013 Dunn ..... D24/169

D682,834 S \* 5/2013 Ishikawa ..... D14/422  
 D688,717 S \* 8/2013 Tanaka ..... D16/202  
 D688,784 S \* 8/2013 Schneider ..... D24/108  
 D705,435 S \* 5/2014 Gonzales ..... D24/200  
 D726,052 S \* 4/2015 Henning ..... D10/98  
 D749,226 S \* 2/2016 Cooper ..... D24/188  
 D751,068 S \* 3/2016 Erbeus ..... D14/344  
 D751,549 S \* 3/2016 Park ..... D14/344  
 D753,314 S \* 4/2016 Stivoric ..... D24/187  
 D760,903 S \* 7/2016 Lin ..... D24/165  
 D764,677 S \* 8/2016 Mason ..... D24/215  
 D773,721 S \* 12/2016 Hrach ..... D26/113  
 D783,170 S \* 4/2017 Carreon ..... D24/167  
 D783,432 S \* 4/2017 Lei ..... D10/78  
 D785,185 S \* 4/2017 Yang ..... D24/186  
 D789,366 S \* 6/2017 Jentz ..... D14/388  
 D791,767 S \* 7/2017 Ali ..... D14/358  
 D792,597 S \* 7/2017 Ahmed ..... D24/186  
 D794,805 S \* 8/2017 Kranz ..... D24/186  
 D795,719 S \* 8/2017 Lean ..... D10/70  
 D800,313 S \* 10/2017 Chang ..... D24/167  
 D808,530 S \* 1/2018 Bak ..... D24/158  
 D822,834 S \* 7/2018 Harper, IV ..... D24/167  
 D843,250 S \* 3/2019 Misson ..... D10/78  
 D847,812 S \* 5/2019 Shim ..... D14/356  
 D847,813 S \* 5/2019 Jun ..... D14/356  
 D851,769 S \* 6/2019 Wirz ..... D24/165  
 D856,324 S \* 8/2019 Shim ..... D14/348  
 D856,326 S \* 8/2019 Shim ..... D14/356  
 D856,524 S \* 8/2019 Bergbacka ..... D24/215  
 D860,989 S \* 9/2019 Choplin ..... D14/344  
 D860,994 S \* 9/2019 Wingate ..... D14/426  
 D865,546 S \* 11/2019 Kellock ..... D10/70  
 D868,974 S \* 12/2019 Albert ..... D24/167  
 D877,918 S \* 3/2020 Siff ..... D24/200  
 D879,983 S \* 3/2020 Wang ..... D24/200  
 D883,114 S \* 5/2020 Nordahl ..... D10/81  
 D885,215 S \* 5/2020 Dewey ..... D10/78  
 D886,986 S \* 6/2020 Clemente ..... D24/111

\* cited by examiner

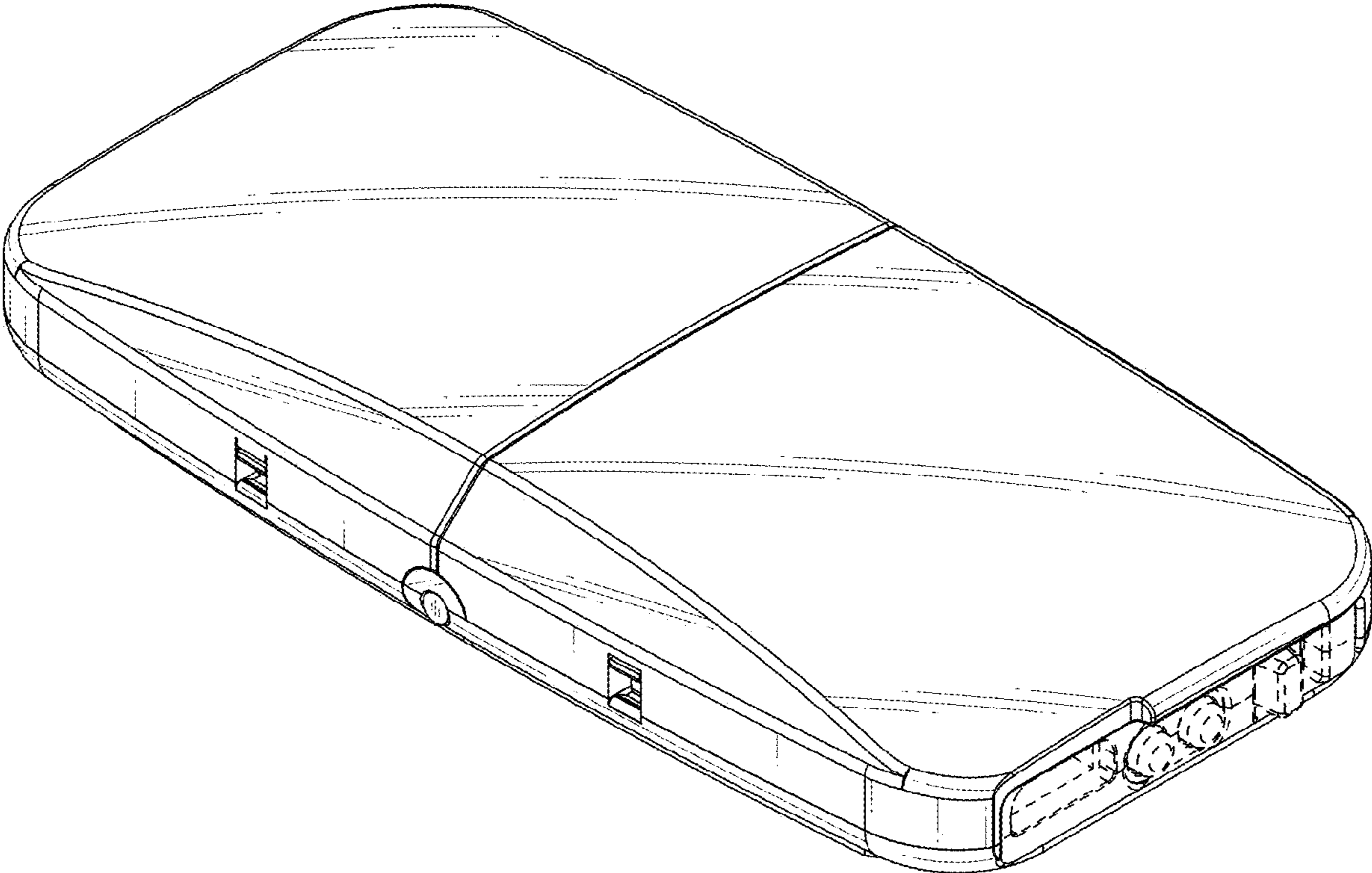


FIG.1

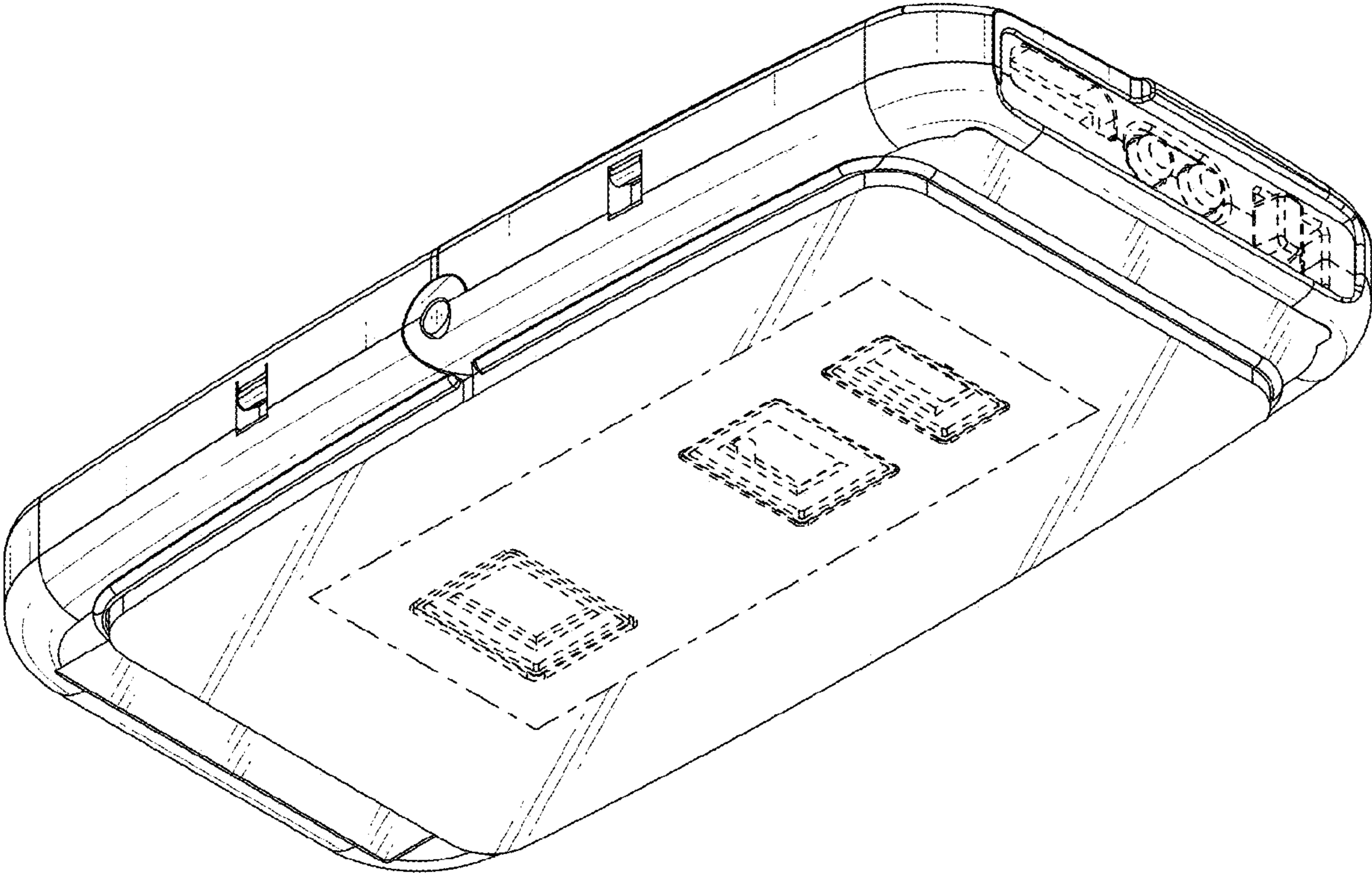


FIG.2

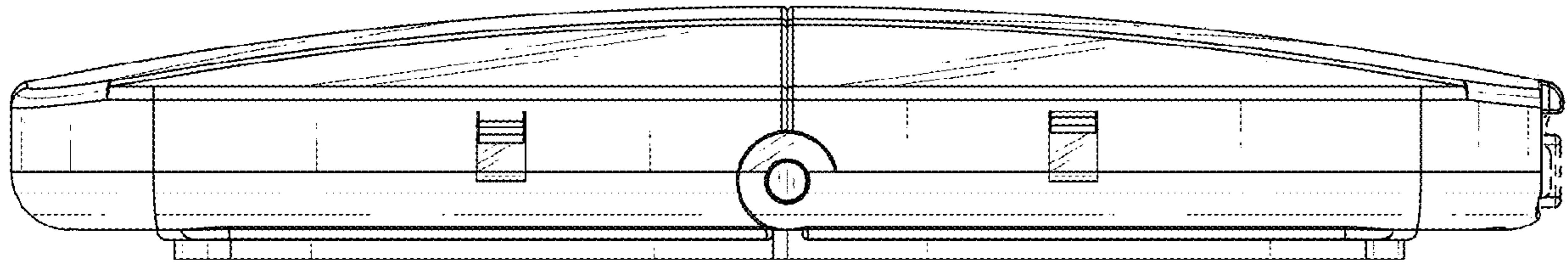


FIG.3

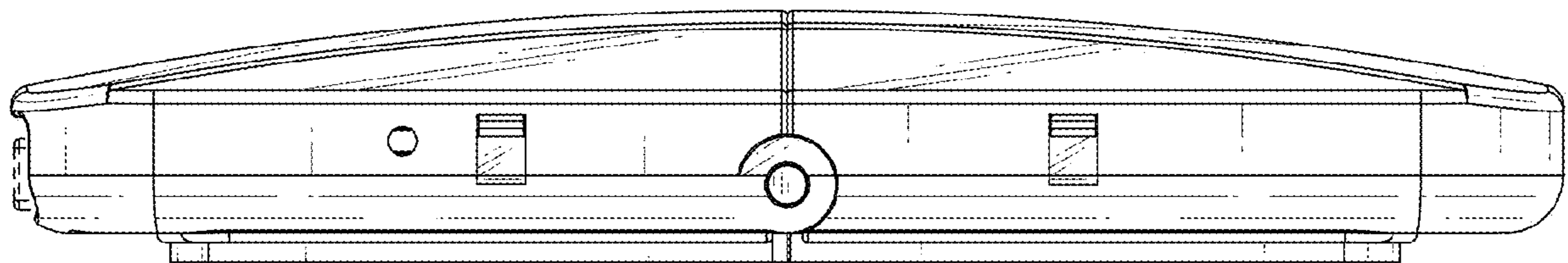


FIG.4

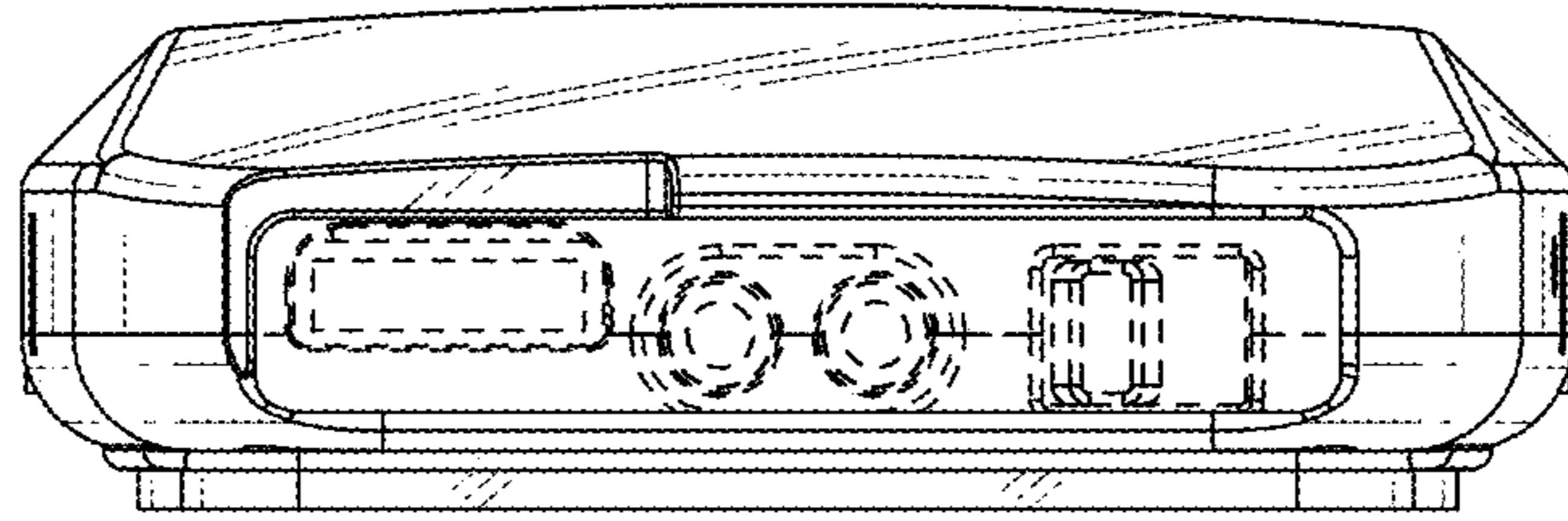


FIG. 5

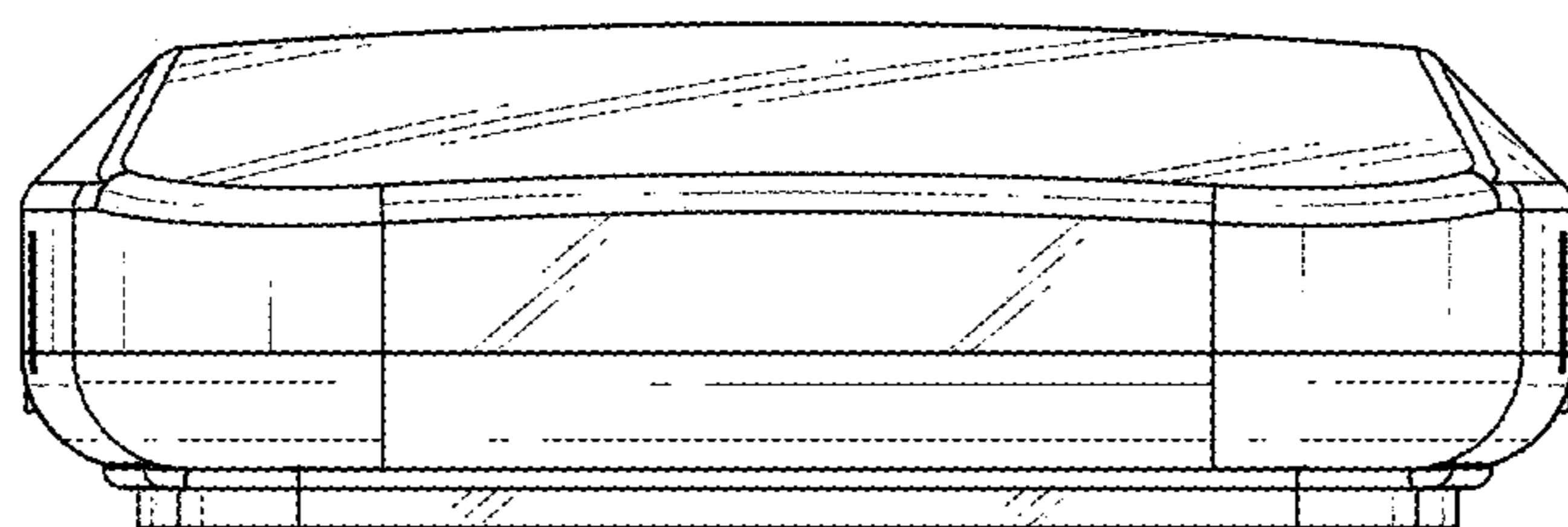


FIG. 6

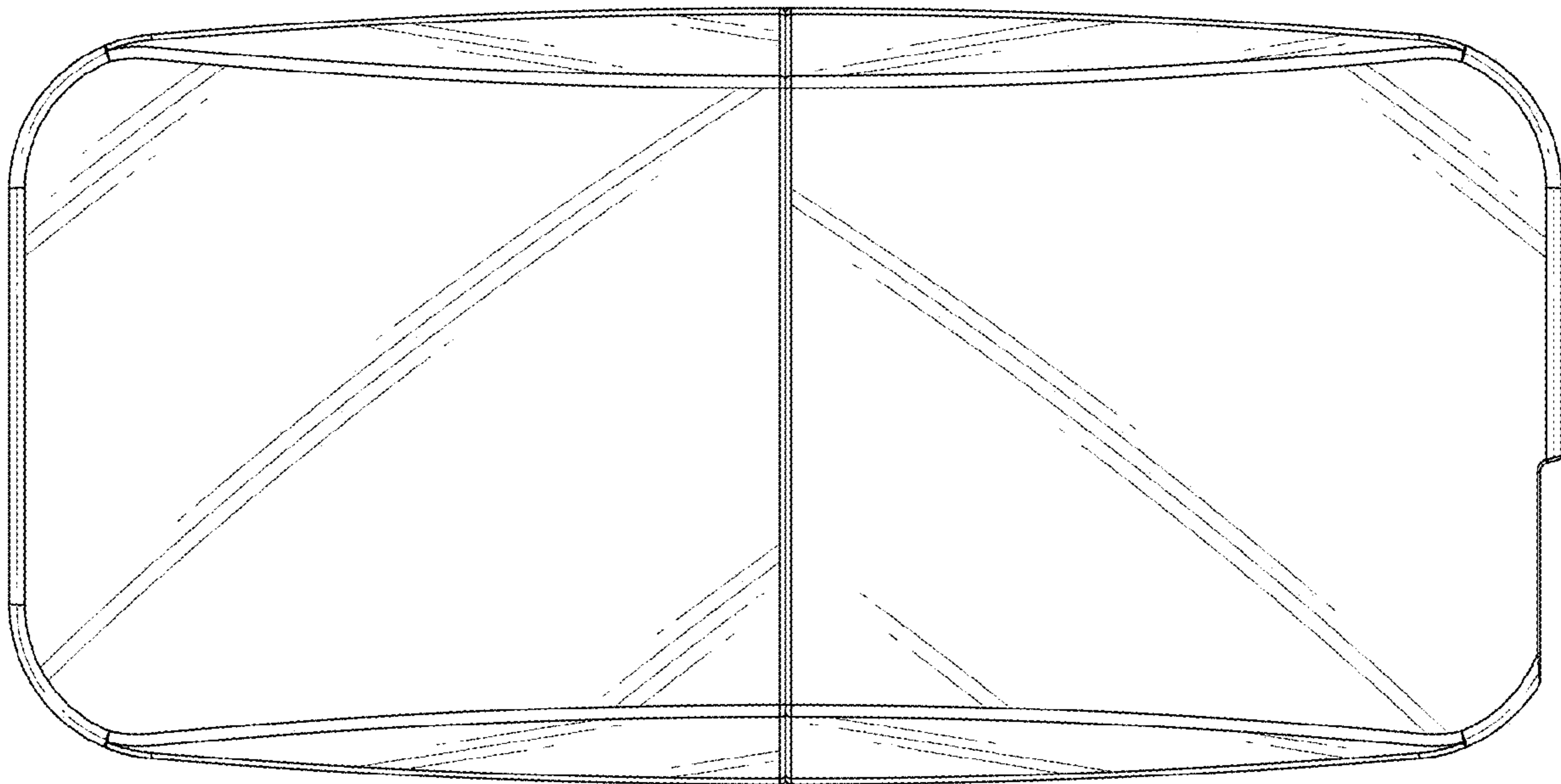


FIG.7

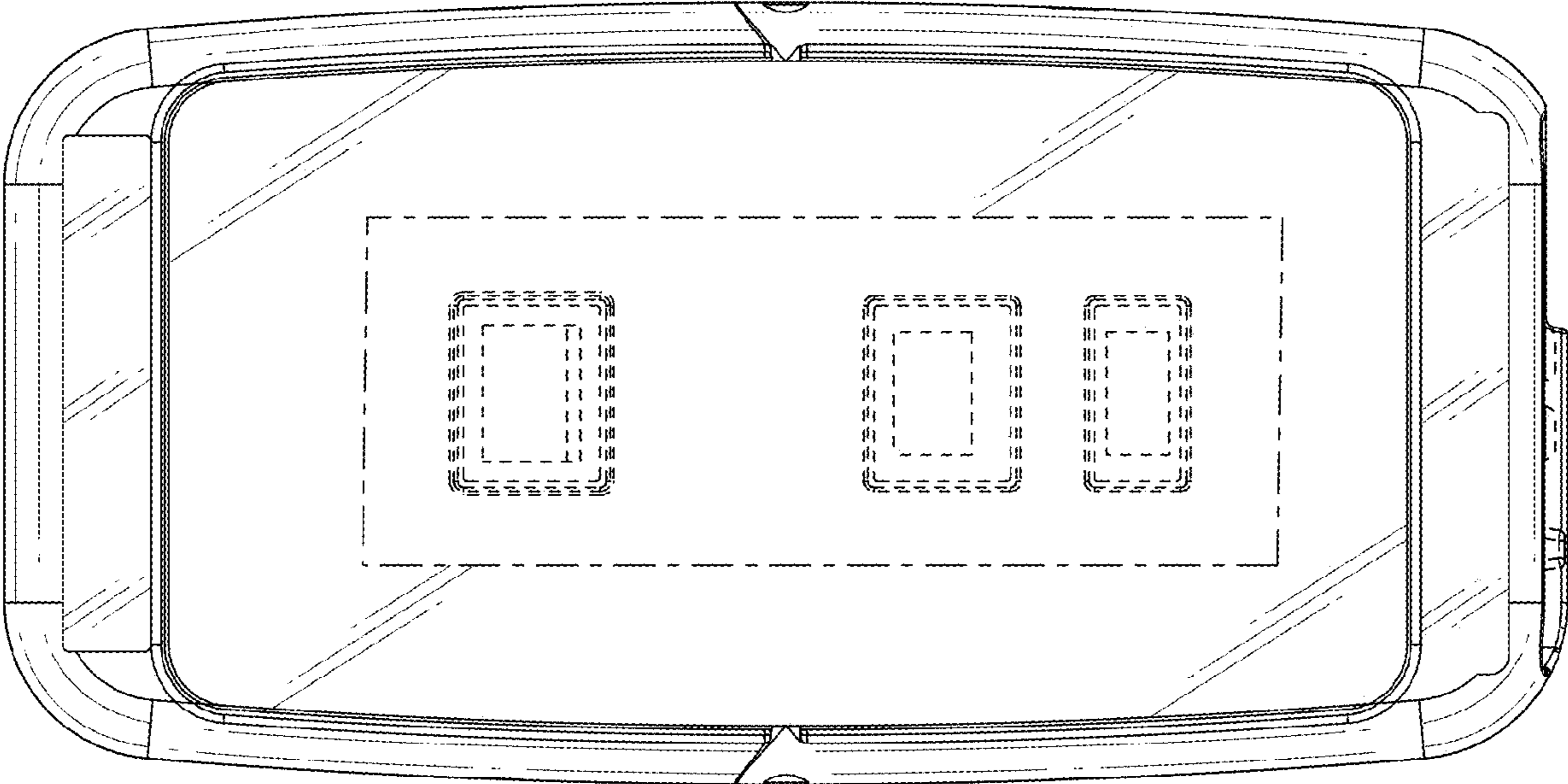


FIG.8



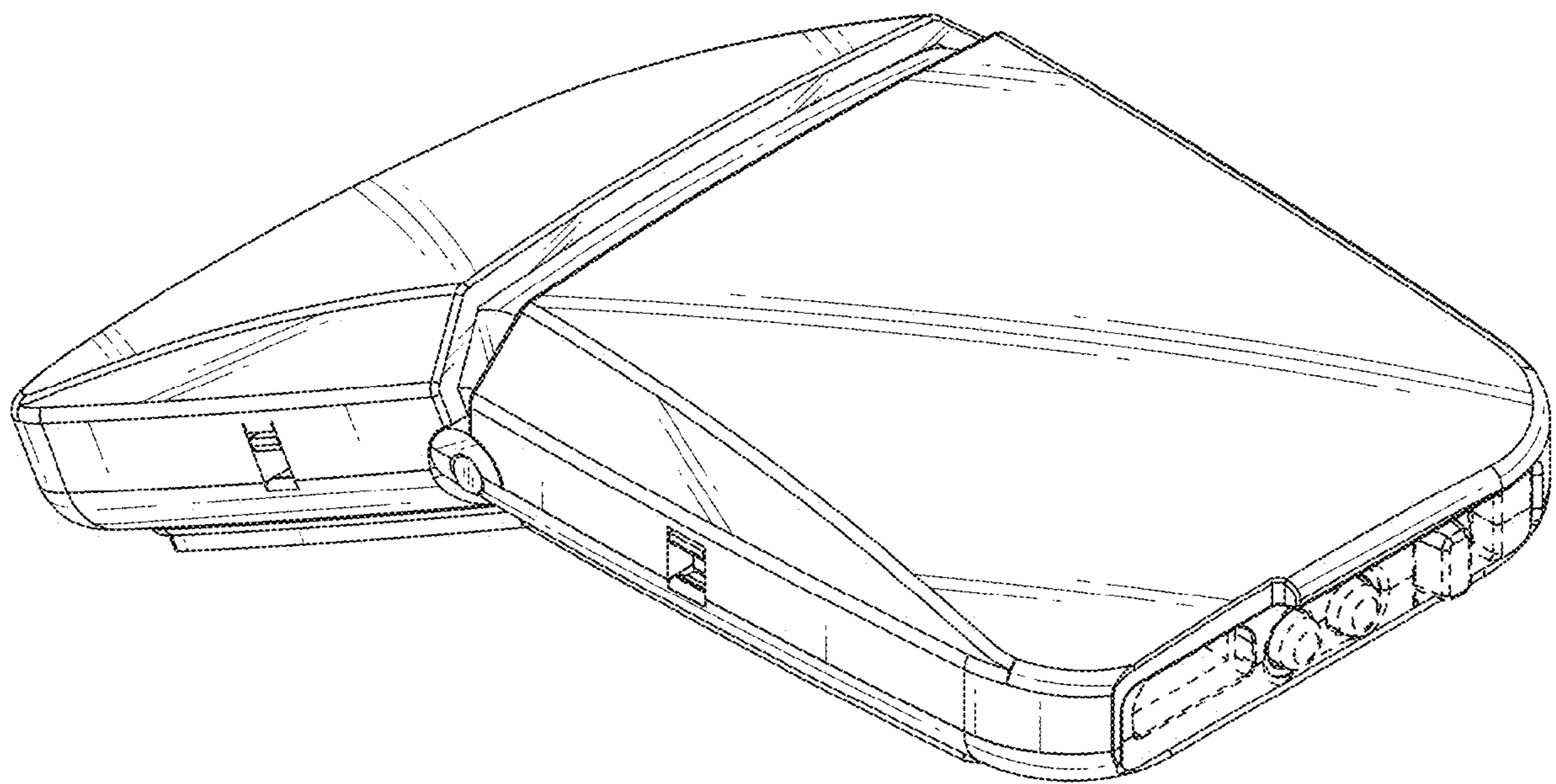


FIG.9

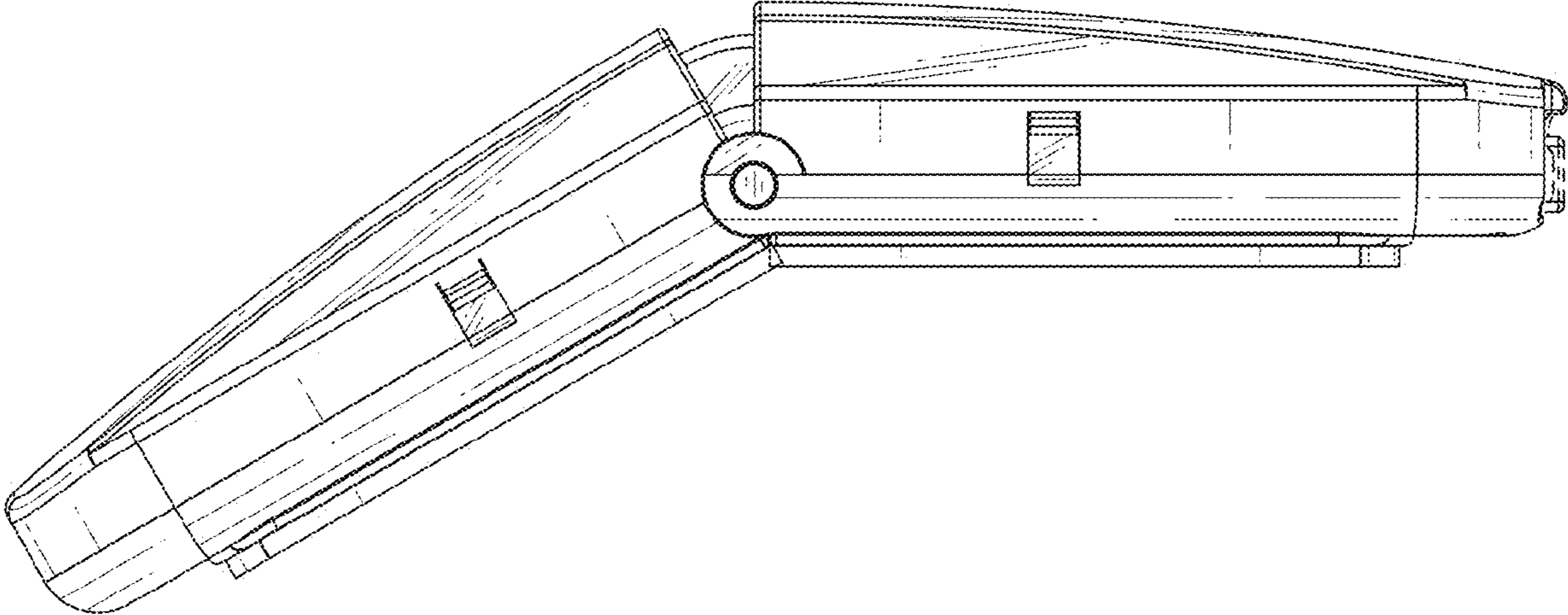


FIG. 10

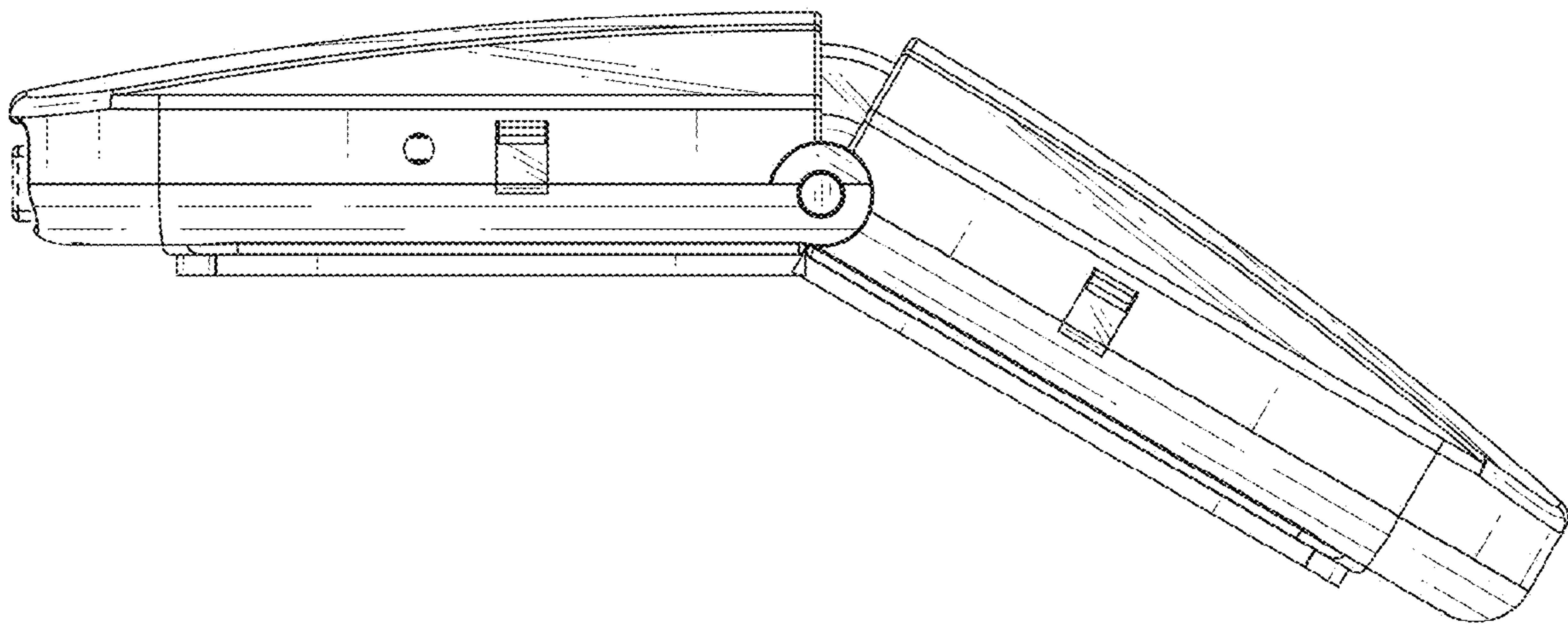


FIG.11