



US00D914895S

(12) **United States Design Patent**
Kwon

(10) **Patent No.:** **US D914,895 S**

(45) **Date of Patent:** **** Mar. 30, 2021**

- (54) **FEEDING BOTTLE**
- (71) Applicant: **UPIS CO., LTD.**, Seoul (KR)
- (72) Inventor: **Yeon Ok Kwon**, Seoul (KR)
- (73) Assignee: **UPIS CO., LTD.**, Seoul (KR)
- (**) Term: **15 Years**
- (21) Appl. No.: **29/685,840**
- (22) Filed: **Apr. 1, 2019**

(30) **Foreign Application Priority Data**

Mar. 4, 2019 (KR) 30-2019-0009548

- (51) **LOC (13) Cl.** **07-01**
- (52) **U.S. Cl.**
USPC **D24/197**
- (58) **Field of Classification Search**
USPC D24/193, 194, 195, 196, 197, 198, 199;
D7/392, 510, 511, 619.1; D9/516, 530,
D9/719, 761; D3/316, 229
CPC A61J 9/00; A61J 9/0623
See application file for complete search history.

(56) **References Cited**

U.S. PATENT DOCUMENTS

| | | | | |
|----------------|---------|----------|-------|------------------------|
| D371,304 S * | 7/1996 | Onneweer | | D7/511 |
| D538,939 S * | 3/2007 | Conaway | | D24/197 |
| H2200 H * | 9/2007 | Horton | | D24/197 |
| D555,795 S * | 11/2007 | Mallet | | D24/197 |
| 7,798,347 B2 * | 9/2010 | Rees | | A61J 9/006 215/11.5 |
| D625,423 S * | 10/2010 | MacKay | | D24/197 |
| D677,570 S * | 3/2013 | Cueto | | D9/504 |
| D749,745 S * | 2/2016 | Prentice | | D24/197 |
| D777,938 S * | 1/2017 | Roaks | | D24/197 |
| D866,777 S * | 11/2019 | Han | | D24/197 |

2004/0256345 A1* 12/2004 Lundquist A61J 11/04
215/11.5
2016/0310367 A1* 10/2016 Lin A61J 11/02
2019/0110956 A1* 4/2019 Smith A61J 11/045

OTHER PUBLICATIONS

“Upis Pura: Multi-Use Bottle”. Found online May 28, 2020 at youtube.com. Reference dated Nov. 28, 2019. Retrieved from https://www.youtube.com/watch?time_continue=1&v=NDdPycisB-Y&feature=emb_logo.*

(Continued)

Primary Examiner — Kendra Leslie Hamilton

(74) *Attorney, Agent, or Firm* — Novick, Kim & Lee, PLLC; Sang Ho Lee; Hyun Woo Shin

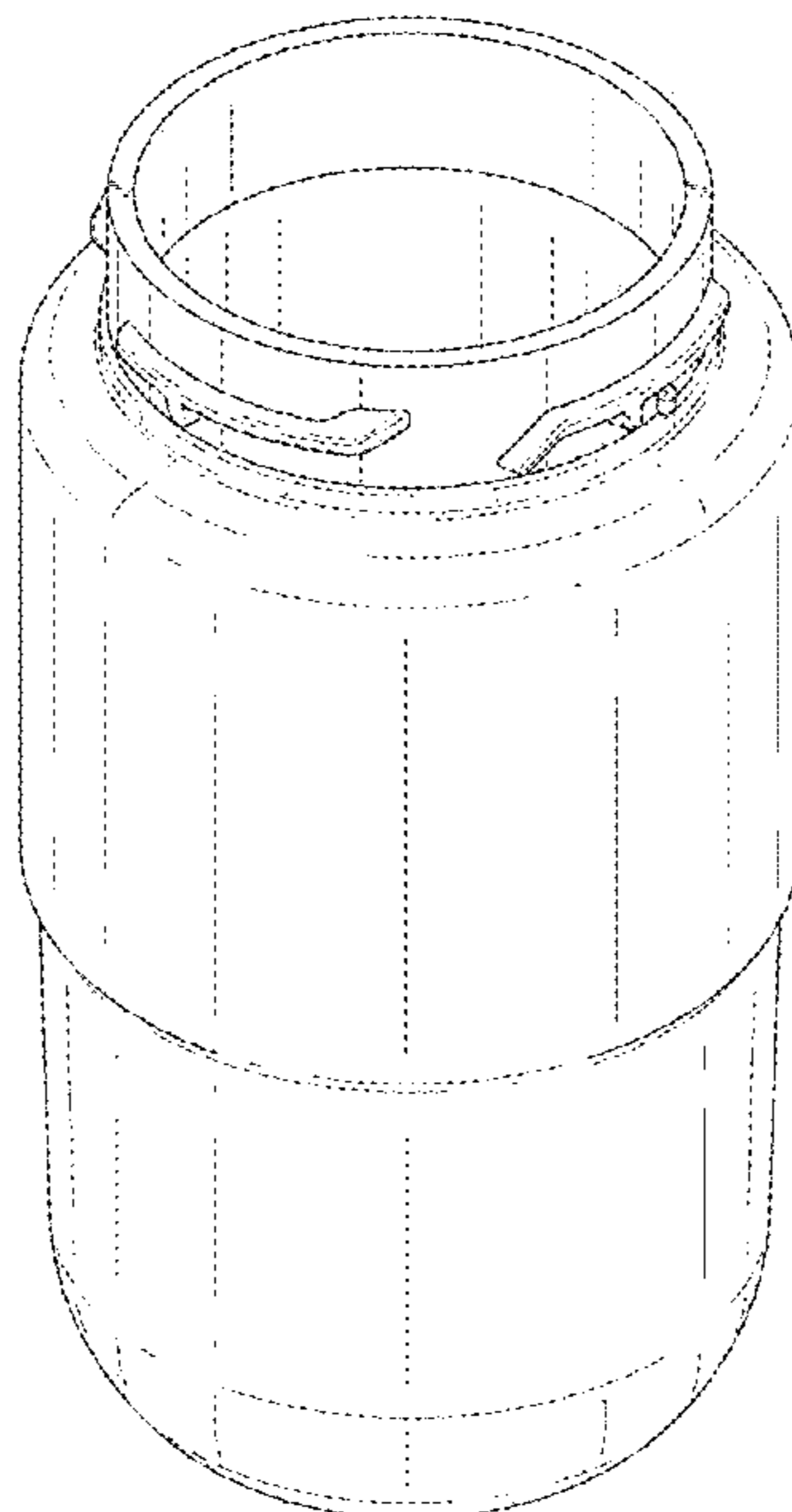
(57) **CLAIM**

I claim the ornamental design for a feeding bottle, as shown and described.

DESCRIPTION

FIG. 1 is a top, front perspective view of a feeding bottle, showing my new design;
 FIG. 2 is a front elevation view thereof;
 FIG. 3 is a rear elevation view thereof;
 FIG. 4 is a left side elevation view thereof;
 FIG. 5 is a right side elevation view thereof;
 FIG. 6 is a cross-sectional elevation view of the feeding bottle of FIG. 1, taken in the direction of line 6-6 of FIG. 2;
 FIG. 7 is a top plan view of the feeding bottle of FIG. 1;
 FIG. 8 is a bottom plan view thereof;
 FIG. 9 is a top, front perspective view of the feeding bottle of FIG. 1, shown in a first configuration of use; and,
 FIG. 10 is a top, front perspective view of the feeding bottle of FIG. 1, shown in a second configuration of use.
 The broken lines in the drawings show environmental structure only and form no part of the claimed design.

1 Claim, 9 Drawing Sheets



(56)

References Cited

OTHER PUBLICATIONS

“Upis Pura Feeding Bottle”. Found online May 28, 2020 at facebook.com. Reference dated Dec. 26, 2019. Retrieved from <https://www.facebook.com/kidsplaza.com.vn/posts/3578035665570715/>.*

“De-Zeen: Borrn Adaptive Baby Bottle”. Found online Oct. 8, 2020 at dezeen.com. Reference dated Feb. 19, 2019. Retrieved from <https://www.dezeen.com/2019/02/20/blond-design-hygienic-borrn-baby-bottle/>.*

“Playtex Simply Baby Bottle”. Found online Feb. 26, 2019 at amazon.com. Reference dated Oct. 10, 2017. Retrieved from https://www.amazon.com/Playtex-Simply-Bottle-Leak-Proof-Ounce/dp/B06XCW5BQR/ref=sr_1_25?keywords=mace%2Bbaby&qid=1551209940&s=baby-products&sr=1-25&th=1.*

* cited by examiner

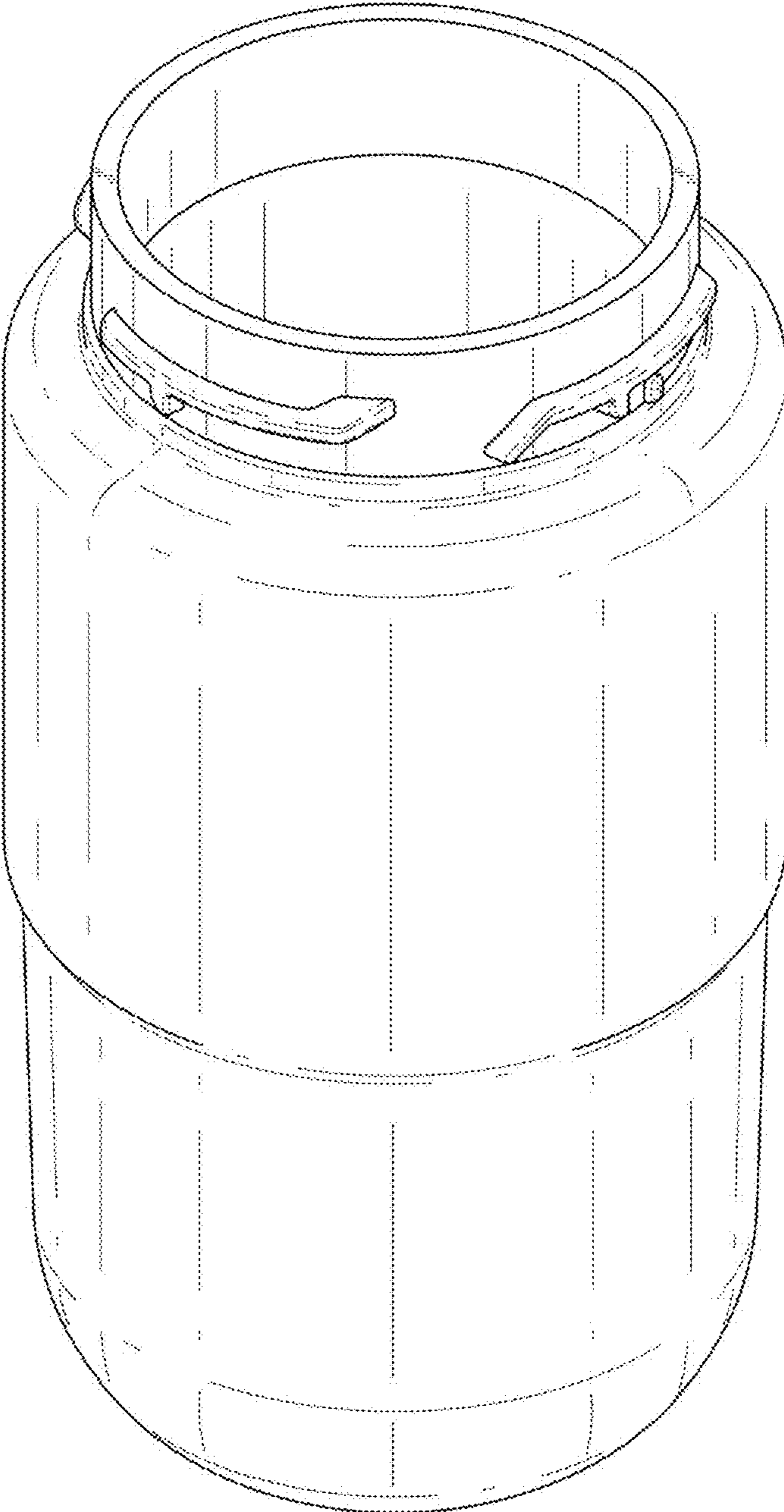


FIG. 1

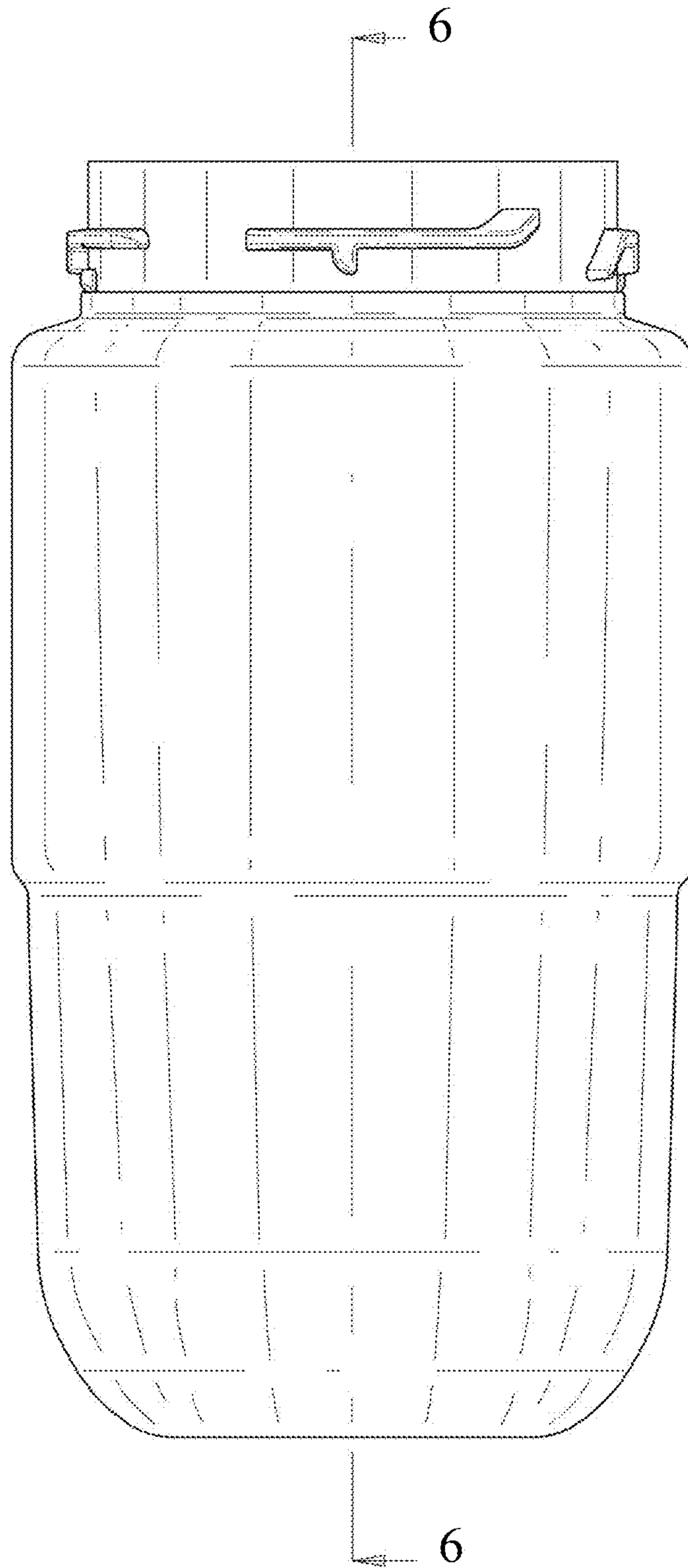


FIG. 2

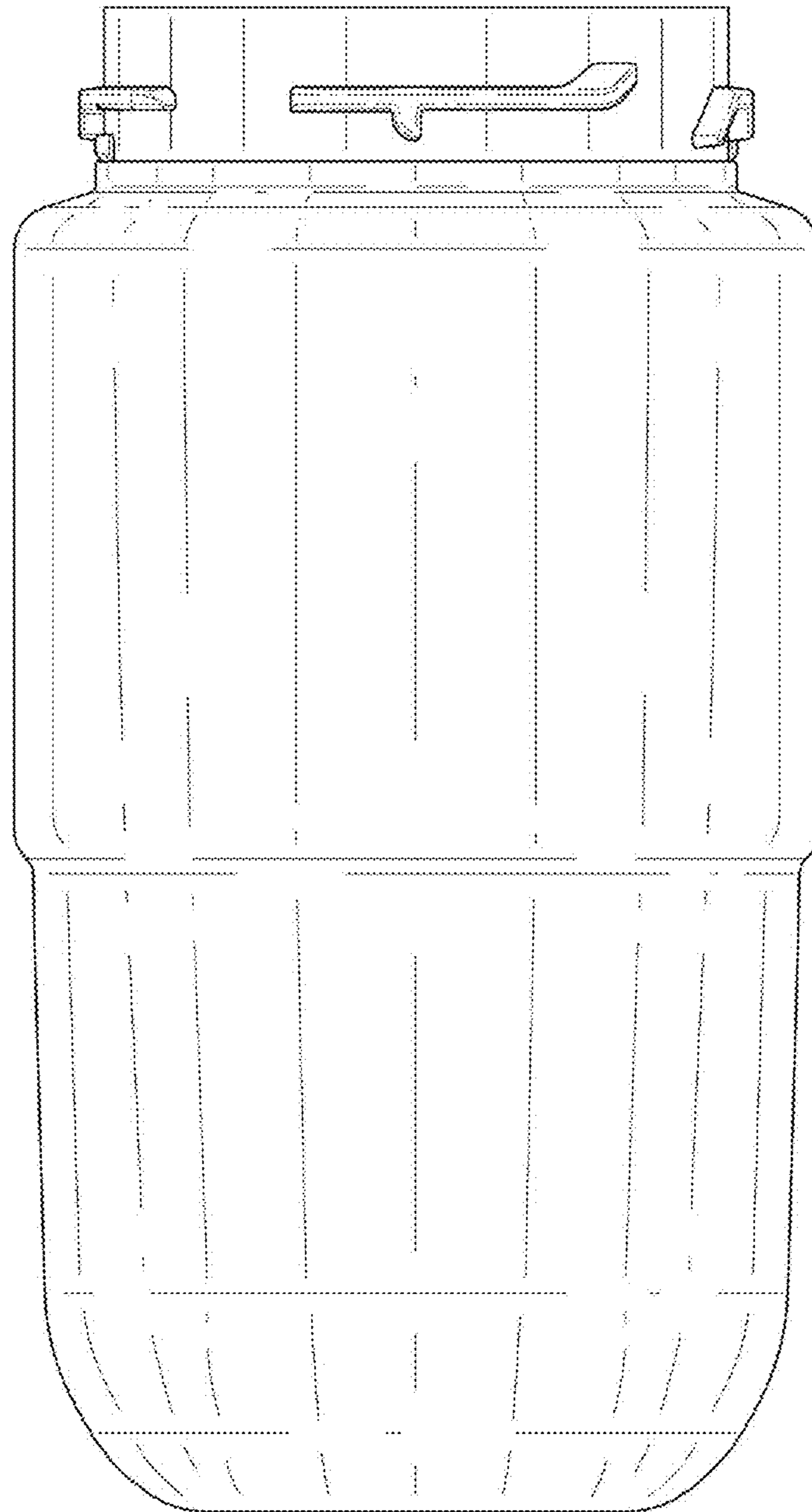


FIG. 3

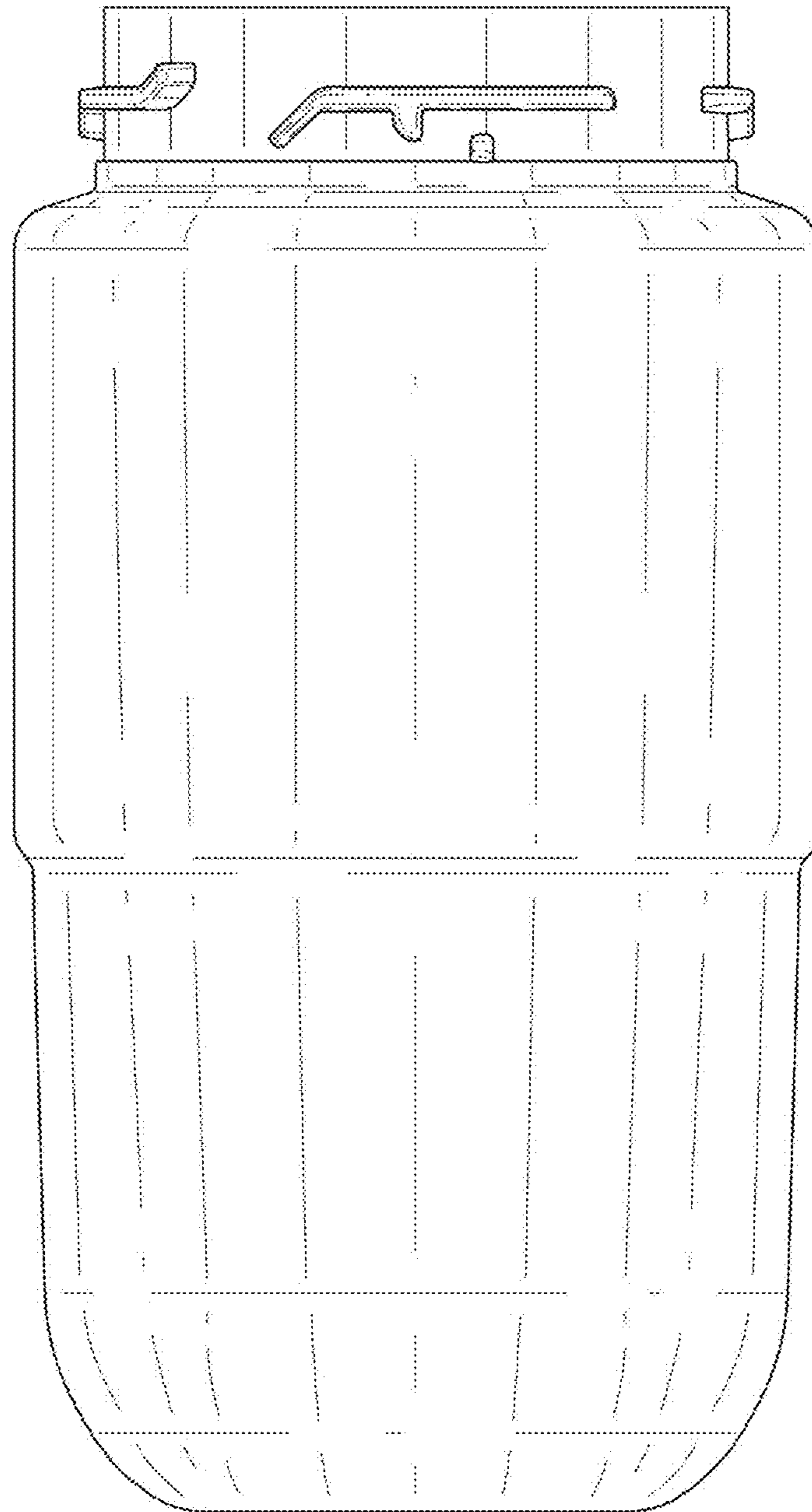


FIG. 4

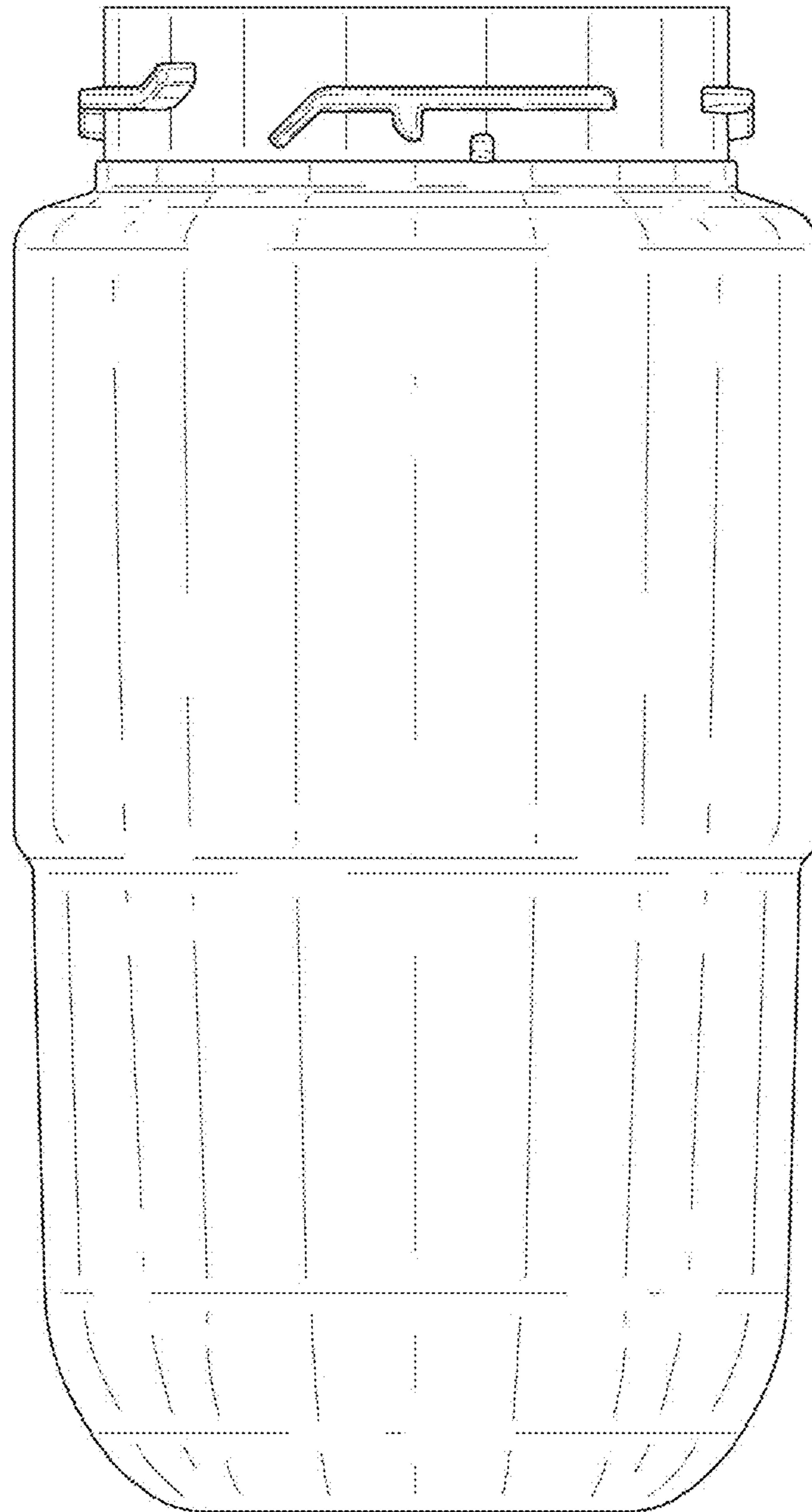


FIG. 5

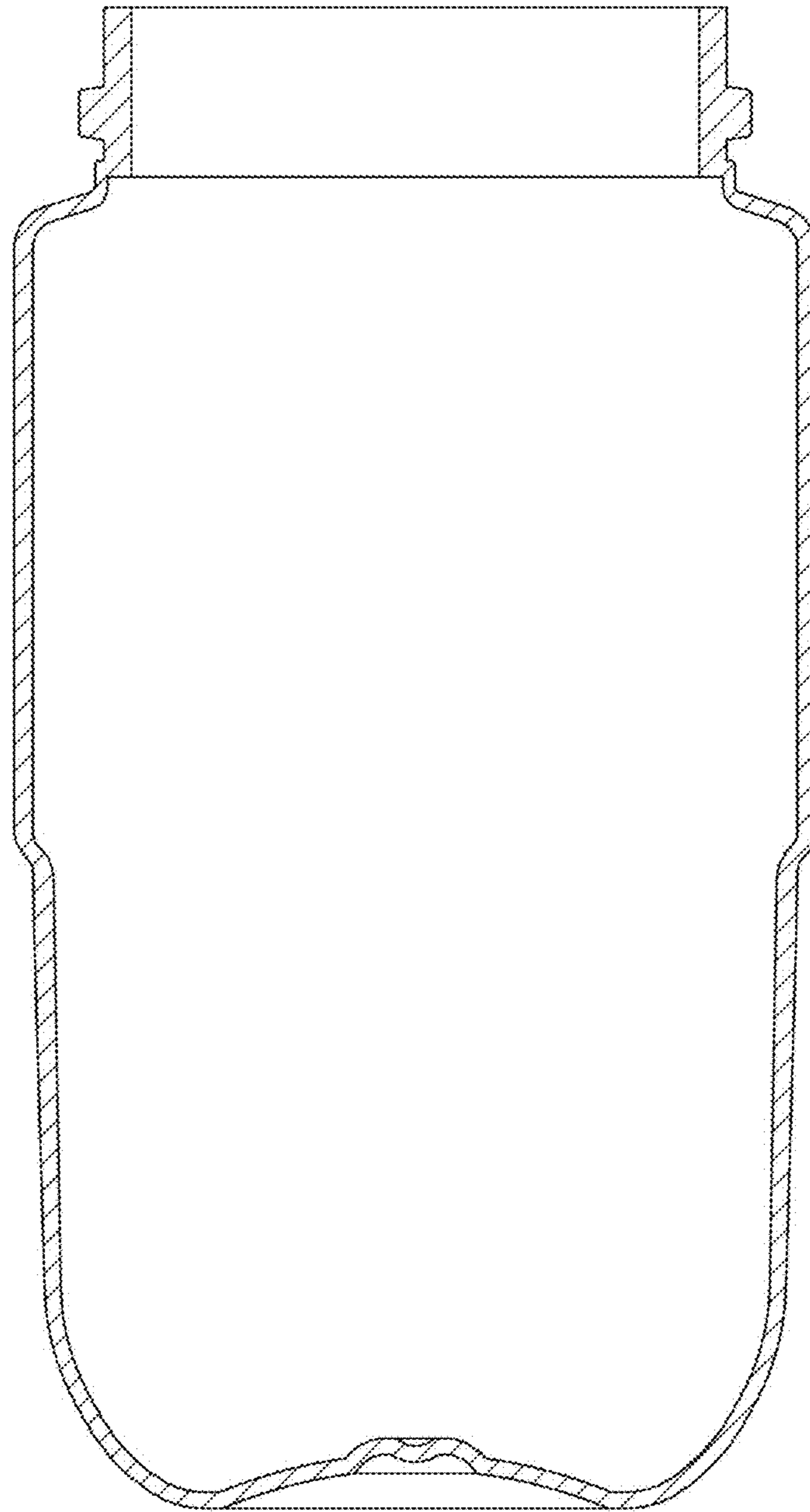


FIG. 6

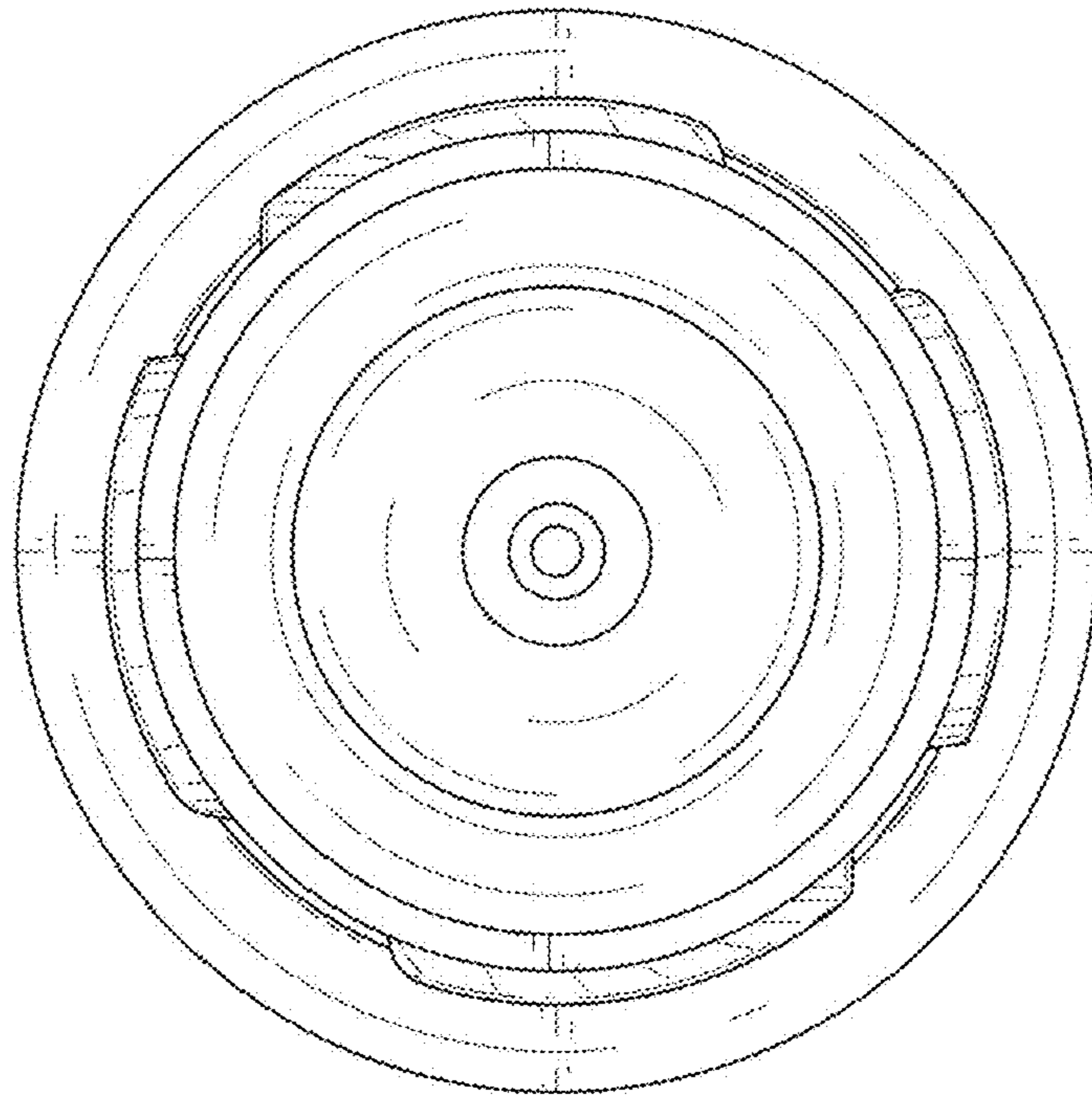


FIG. 7

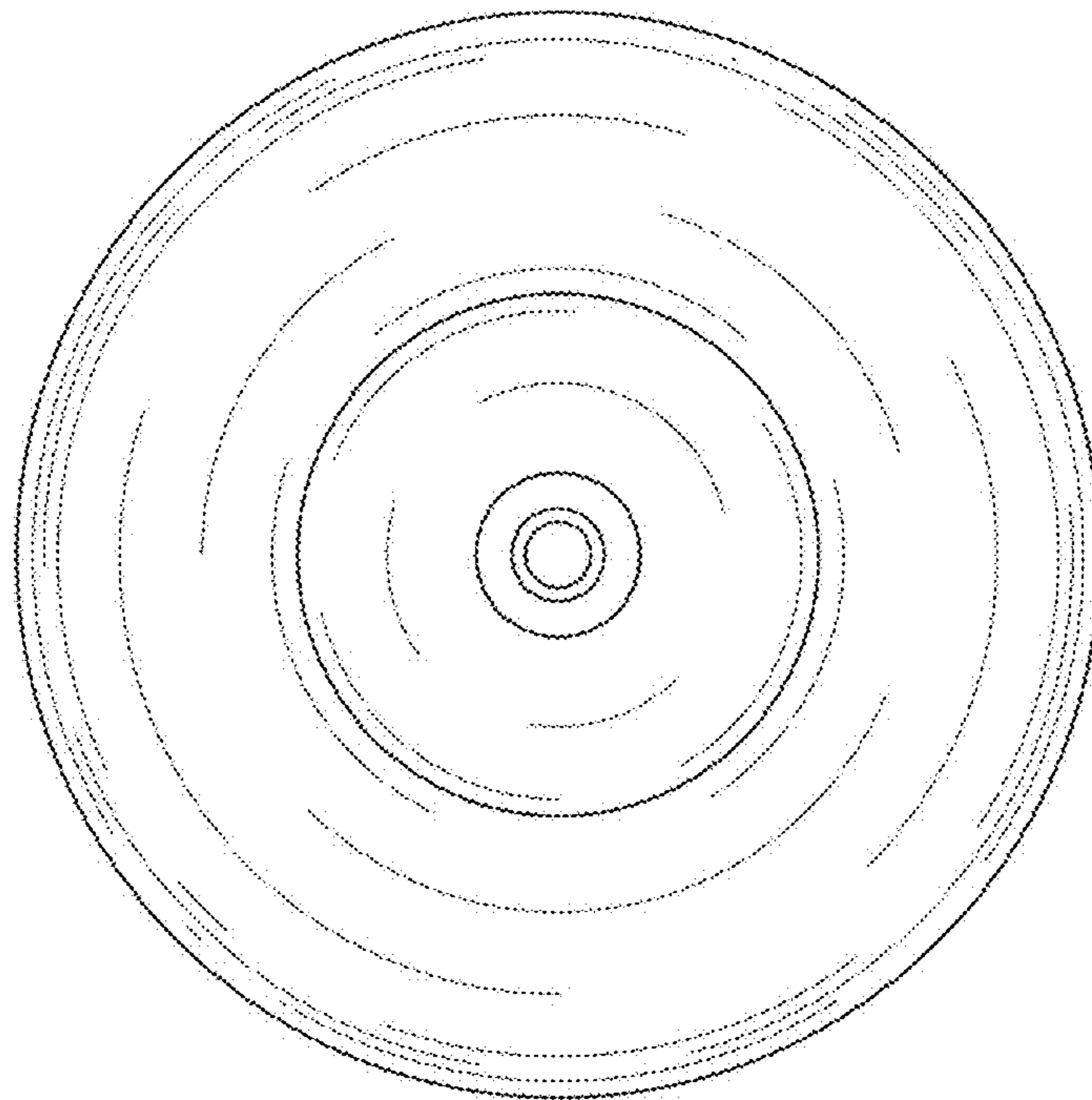


FIG. 8

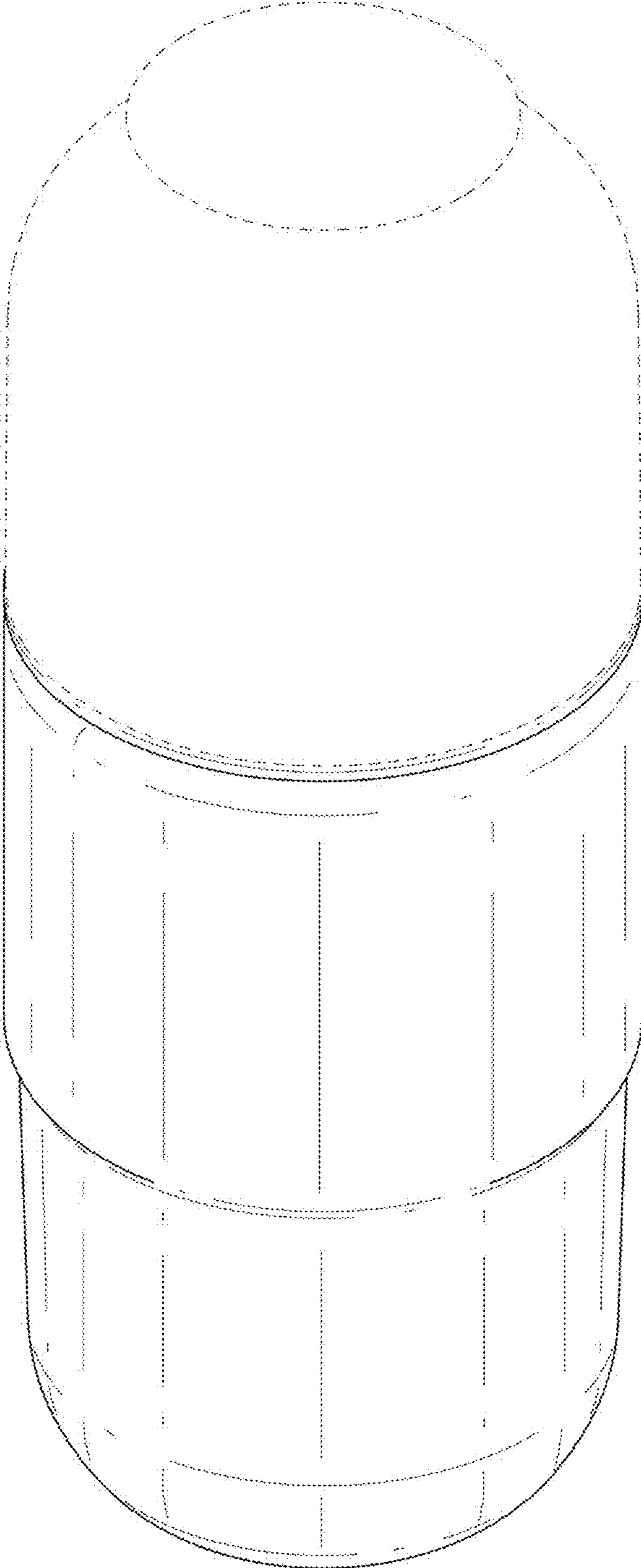


FIG. 9

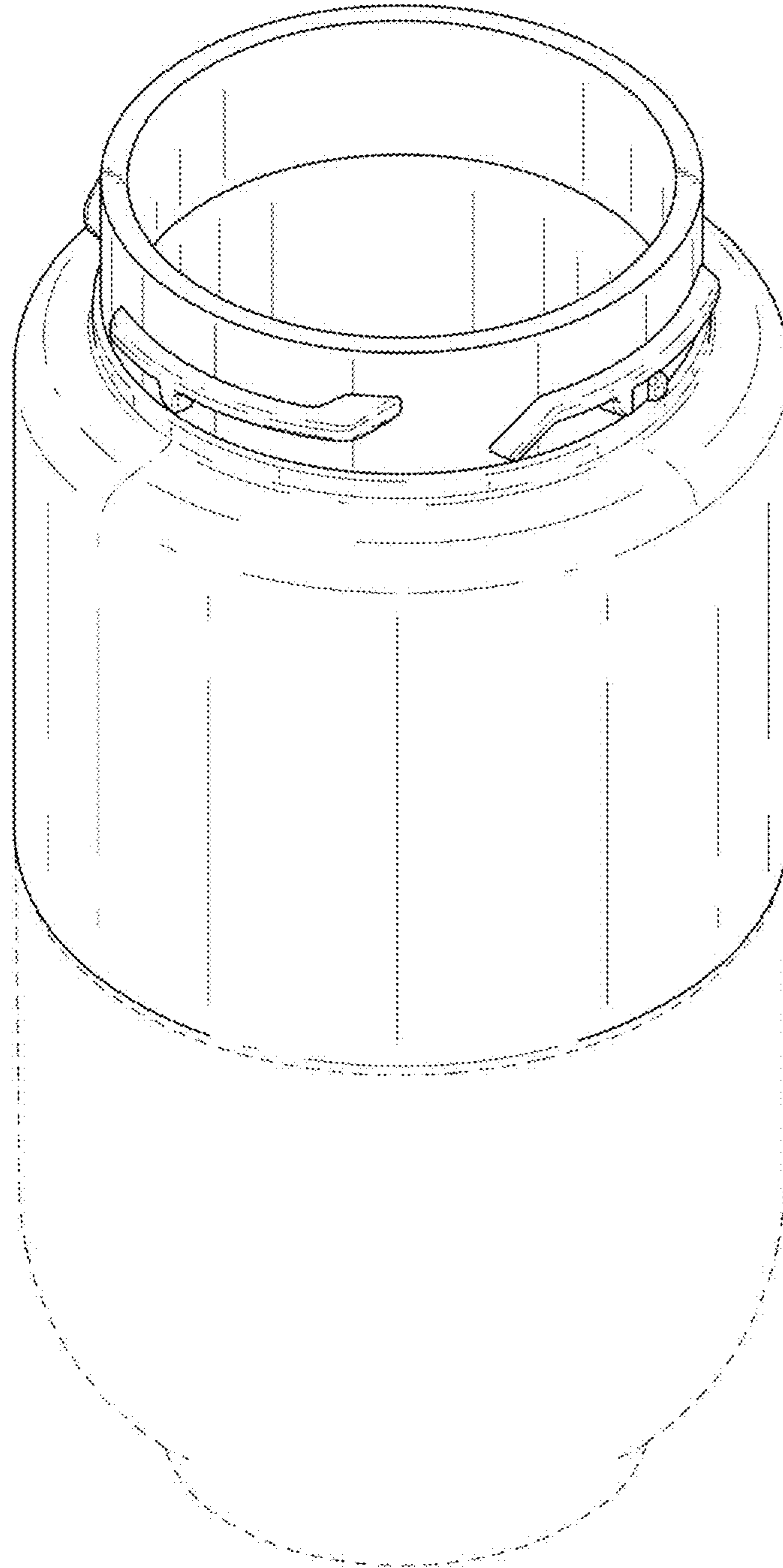


FIG. 10