



US00D914892S

(12) **United States Design Patent** (10) **Patent No.:** **US D914,892 S**  
**Spivak et al.** (45) **Date of Patent:** **\*\* Mar. 30, 2021**

(54) **NIPPLE SHIELD**

(71) Applicant: **Mitera LLC**, Mountainside, NJ (US)

(72) Inventors: **Yekaterina Spivak**, Mountainside, NJ (US); **Maksim Spivak**, Mountainside, NJ (US); **Aaron Bronshtein**, Oakland, NJ (US); **Michael Maloney**, Caledon East (CA)

(\*\*) Term: **15 Years**

(21) Appl. No.: **29/683,891**

(22) Filed: **Mar. 15, 2019**

(51) **LOC (13) Cl.** ..... **24-01**

(52) **U.S. Cl.**  
USPC ..... **D24/190**

(58) **Field of Classification Search**  
USPC ..... D24/187-190

(Continued)

(56) **References Cited**

U.S. PATENT DOCUMENTS

4,687,466 A 8/1987 Larsson  
D384,414 S \* 9/1997 Pernarella ..... D24/155

(Continued)

*Primary Examiner* — Jennifer L Watkins

(74) *Attorney, Agent, or Firm* — Patent GC LLC;  
Alexander Franco

(57) **CLAIM**

The ornamental design for a nipple shield, as shown and described.

**DESCRIPTION**

FIG. 1 is a perspective view of a nipple shield in an assembled position with a flap that is bonded in place over a channel.

FIG. 2 is a top view thereof.

FIG. 3 is a bottom view thereof.

FIG. 4 is front view thereof.

FIG. 5 is a back view thereof.

FIG. 6 is a right side view thereof, and the left side view (not illustrated) is a mirror image of the right side view.

FIG. 7 is a cross-section view along the short-short-long dash line indicated in FIG. 2.

FIG. 8 is an enlarged view of the encircled area indicated in FIG. 7.

FIG. 9 is a cross-section view along the correspondingly numbered short-short-long dash line indicated in FIG. 7.

FIG. 10 is a cross-section view along the correspondingly numbered short-short-long dash line indicated in FIG. 7.

FIG. 11 is a cross-section view along the correspondingly numbered short-short-long dash line indicated in FIG. 7.

FIG. 12 is an enlarged view of the encircled area indicated in FIG. 9.

FIG. 13 is an enlarged view of the encircled area indicated in FIG. 10.

FIG. 14 is an enlarged view of the encircled area indicated in FIG. 11.

FIG. 15 is a perspective view of the nipple shield of FIG. 1 in a partially assembled position with a loose flap not yet bonded in place.

FIG. 16 is a top view thereof.

FIG. 17 is a bottom view thereof.

FIG. 18 is front view thereof.

FIG. 19 is a back view thereof.

FIG. 20 is a right side view thereof, and the left side view (not illustrated) is a mirror image of the right side view.

FIG. 21 is a cross-section view along the short-short-long dash line indicated in FIG. 16.

FIG. 22 is an enlarged view of the encircled area indicated in FIG. 21.

FIG. 23 is a cross-section view along the correspondingly numbered short-short-long dash line indicated in FIG. 21.

FIG. 24 is a cross-section view along the correspondingly numbered short-short-long dash line indicated in FIG. 21.

FIG. 25 is a cross-section view along the correspondingly numbered short-short-long dash line indicated in FIG. 21.

FIG. 26 is an enlarged view of the encircled area indicated in FIG. 23.

FIG. 27 is an enlarged view of the encircled area indicated in FIG. 24.

(Continued)

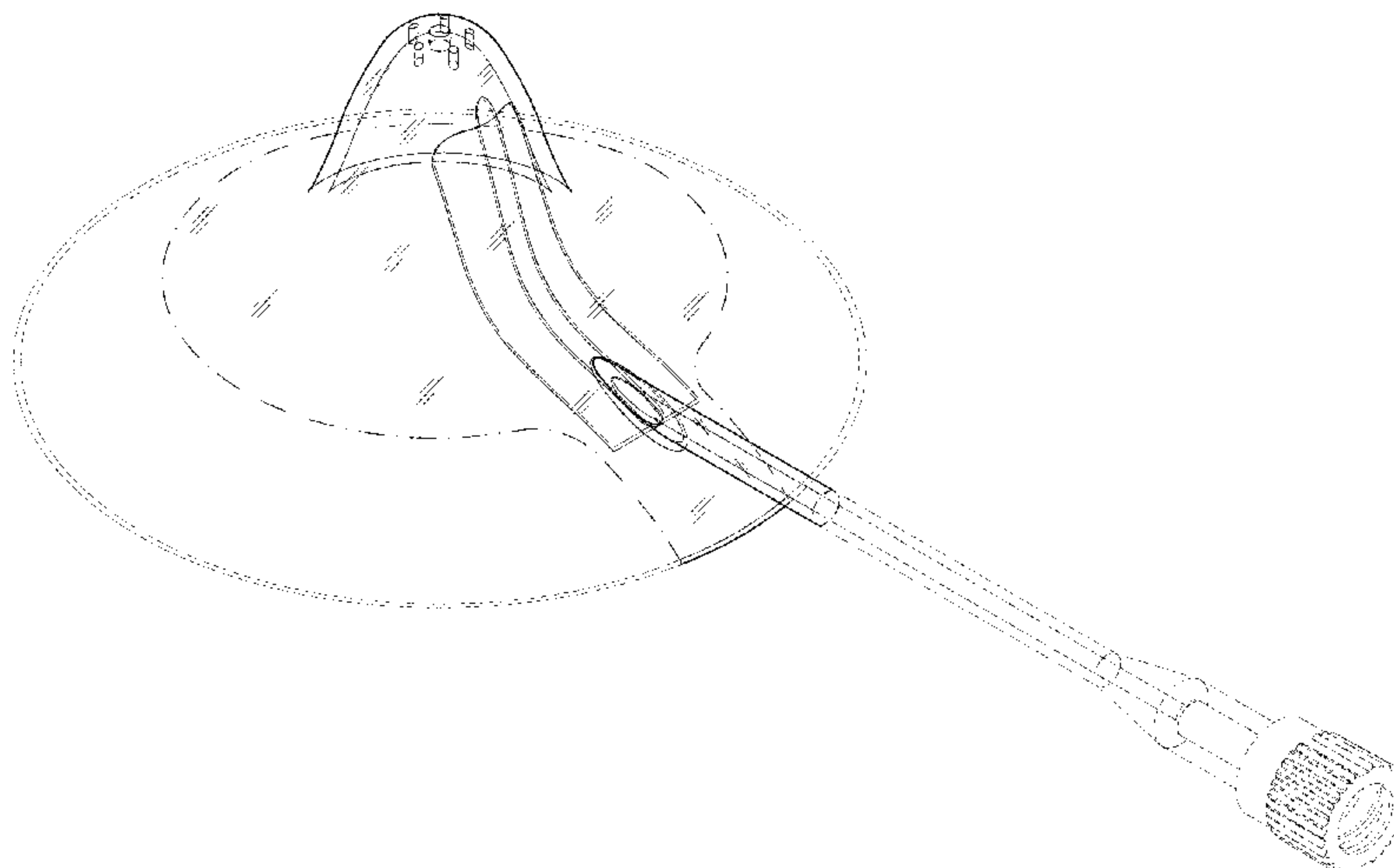


FIG. 28 is an enlarged view of the encircled area indicated in FIG. 25.

FIG. 29 is a perspective view of a second embodiment of the nipple shield of FIG. 1 in an opaque state.

FIG. 30 is a top view thereof.

FIG. 31 is a bottom view thereof.

FIG. 32 is front view thereof.

FIG. 33 is a back view thereof; and,

FIG. 34 is a right side view thereof, and the left side view (not illustrated) is a mirror image of the right side view.

In the drawings, broken lines illustrate environmental structure and form no part of the claimed design. The dot-dash broken lines define the bounds of the claimed design and form no part of the claimed design. The short-short-long dash broken lines identify cross section views and enlarged views and form no part of the claimed design.

**1 Claim, 28 Drawing Sheets**

(58) **Field of Classification Search**

CPC ..... A61F 13/023; A61F 13/0259; A61F 2013/00412; A61F 2013/00846; A61F 13/0203; A61B 5/0408; A61N 1/0456; Y10T 428/14; Y10T 428/15; Y10T 428/149; Y10T 428/1495; Y10T

428/1471; Y10T 428/24793; Y10T 428/24802; Y10T 428/1476; Y10T 428/24777; Y10T 428/2848

See application file for complete search history.

(56)

**References Cited**

U.S. PATENT DOCUMENTS

6,270,519	B1	8/2001	Botts	
D476,085	S	6/2003	Dumont et al.	
6,968,964	B2	11/2005	Gilmore	
D584,399	S *	1/2009	Pacini .....	D24/109
D599,028	S *	8/2009	Schofield .....	D24/196
8,357,117	B2	1/2013	Sokal et al.	
8,672,877	B2	3/2014	Gust	
9,060,917	B1	6/2015	Tronson	
D780,610	S *	3/2017	Ogden .....	D10/96
D810,308	S *	2/2018	Lind .....	D24/189
9,895,292	B1	2/2018	Tronson	
10,016,341	B2	7/2018	Chin et al.	
10,149,801	B2	12/2018	Conner et al.	
10,639,207	B1 *	5/2020	Harder .....	A61F 13/025
2006/0100603	A1	5/2006	Thwaits	
2013/0270140	A1	10/2013	Tronson	
2015/0005678	A1 *	1/2015	Wall .....	A61M 1/0084 601/9
2016/0120763	A1	5/2016	Conner et al.	

\* cited by examiner

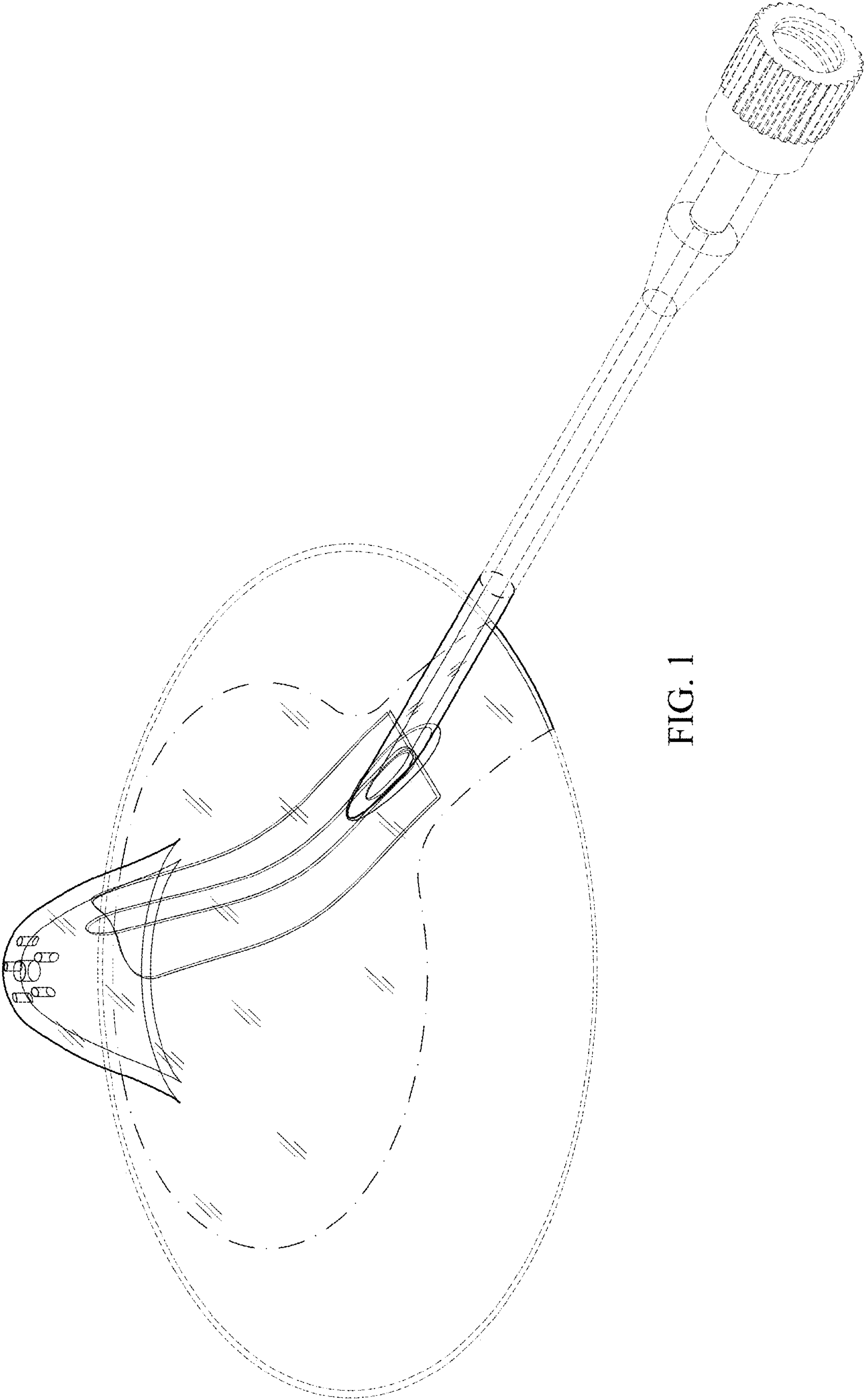


FIG. 1

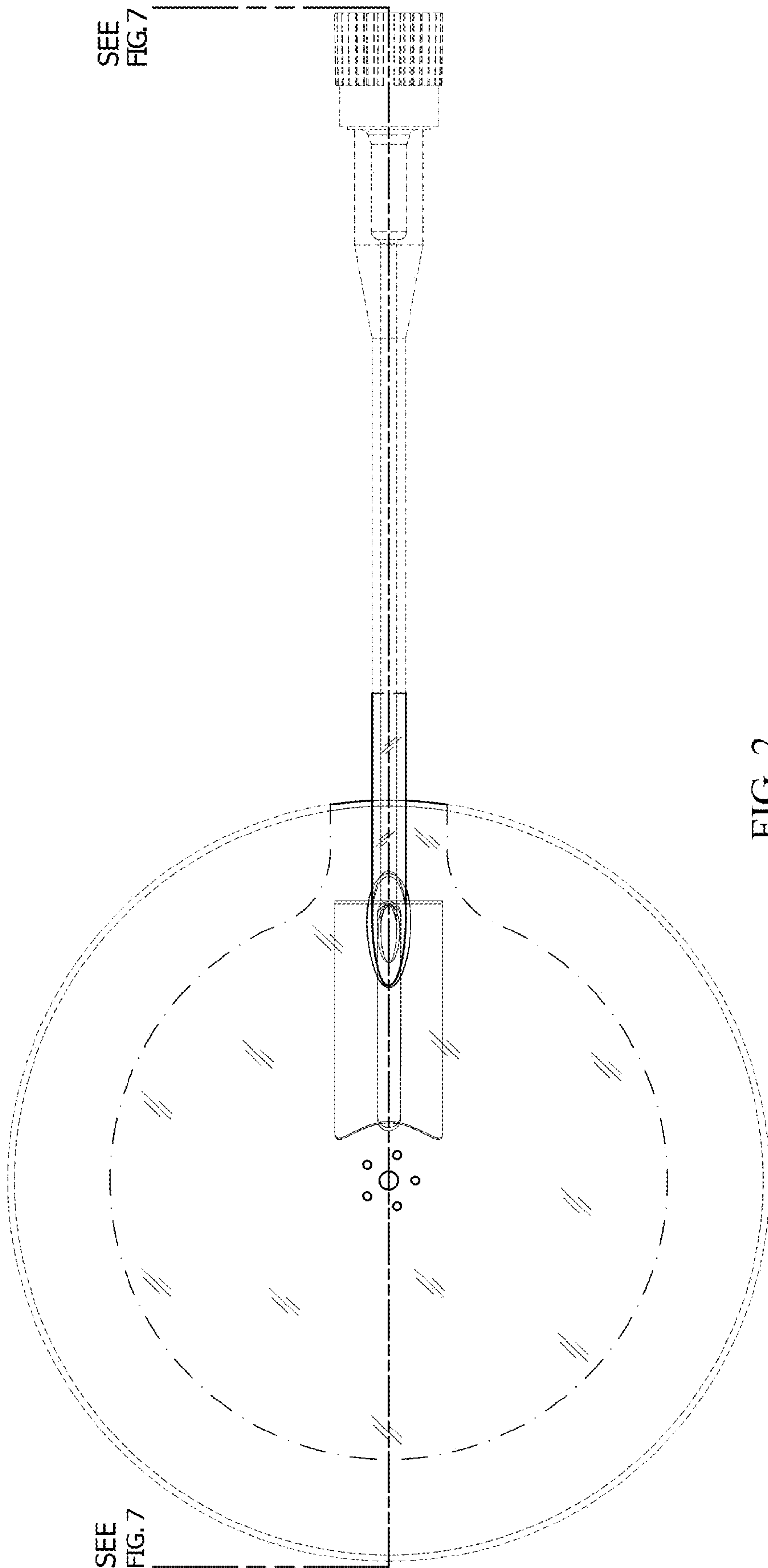


FIG. 2



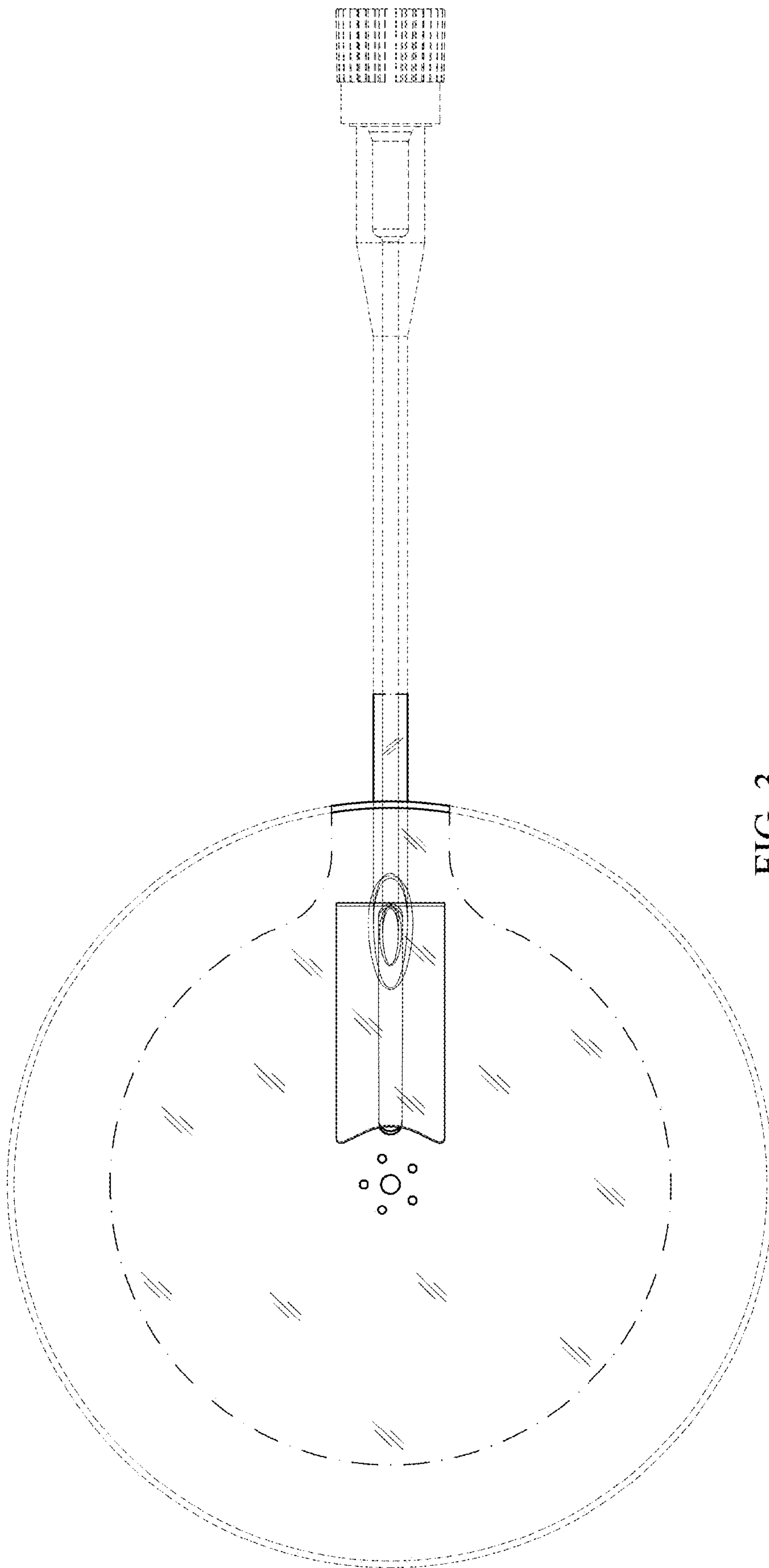


FIG. 3

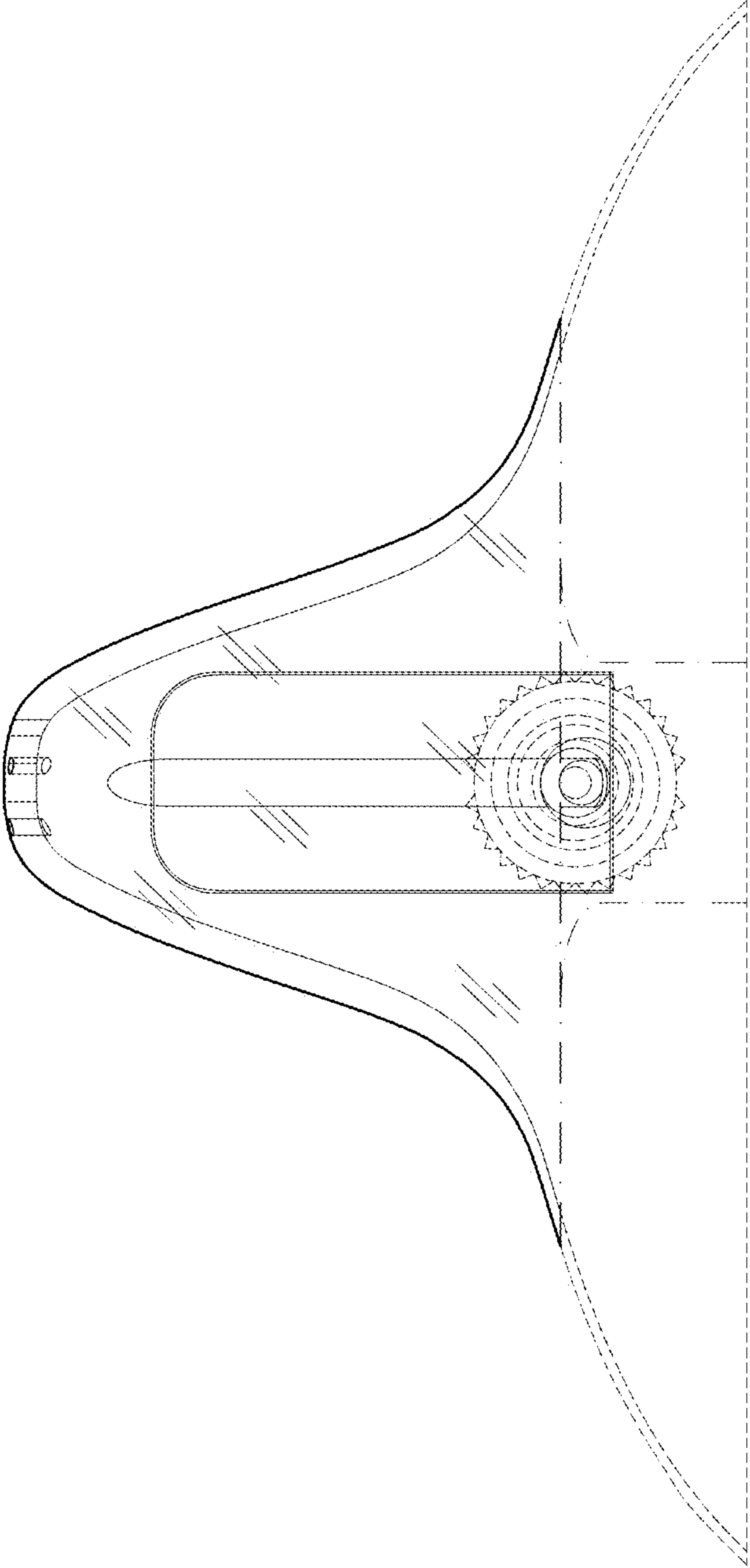


FIG. 4

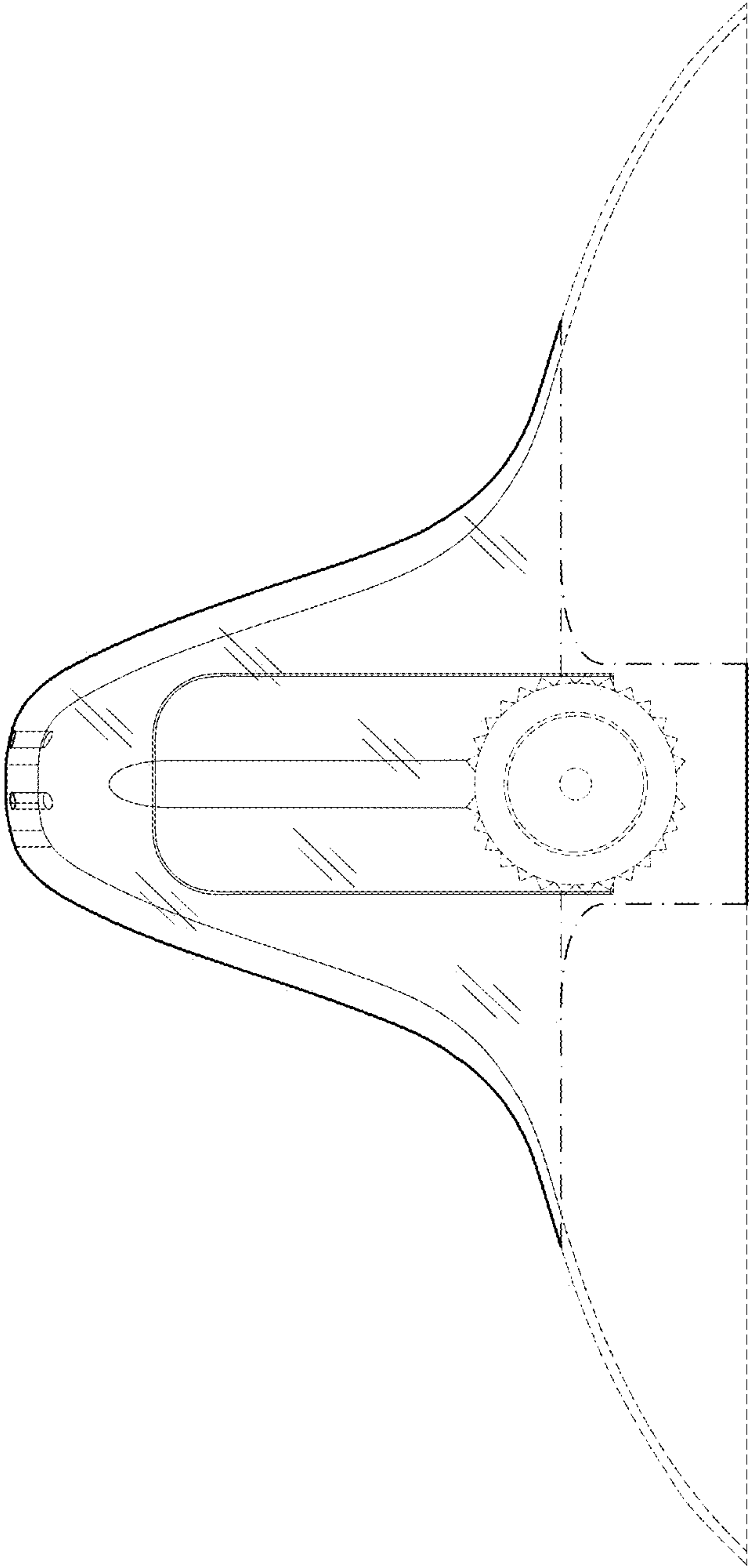


FIG. 5

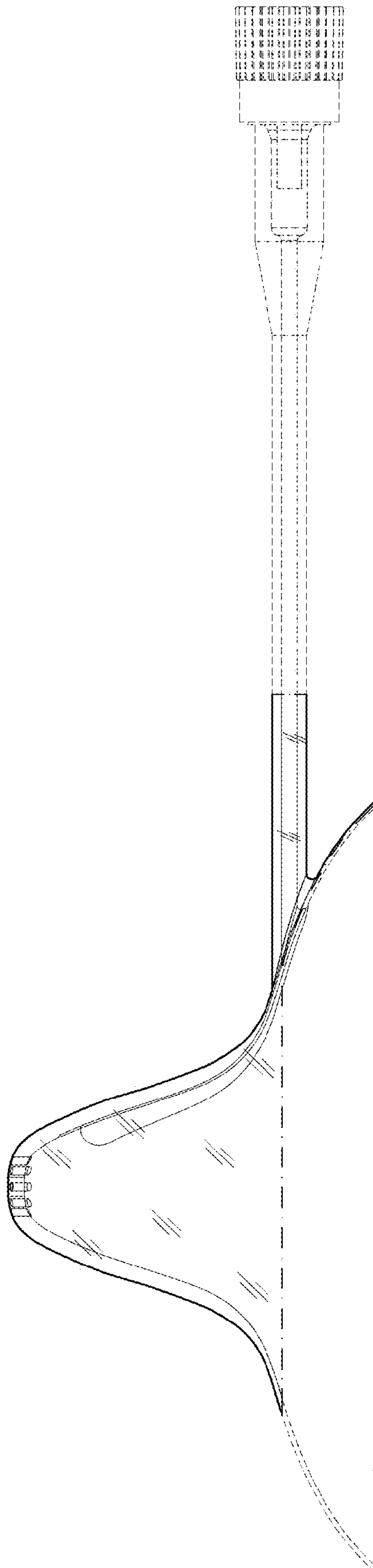


FIG. 6



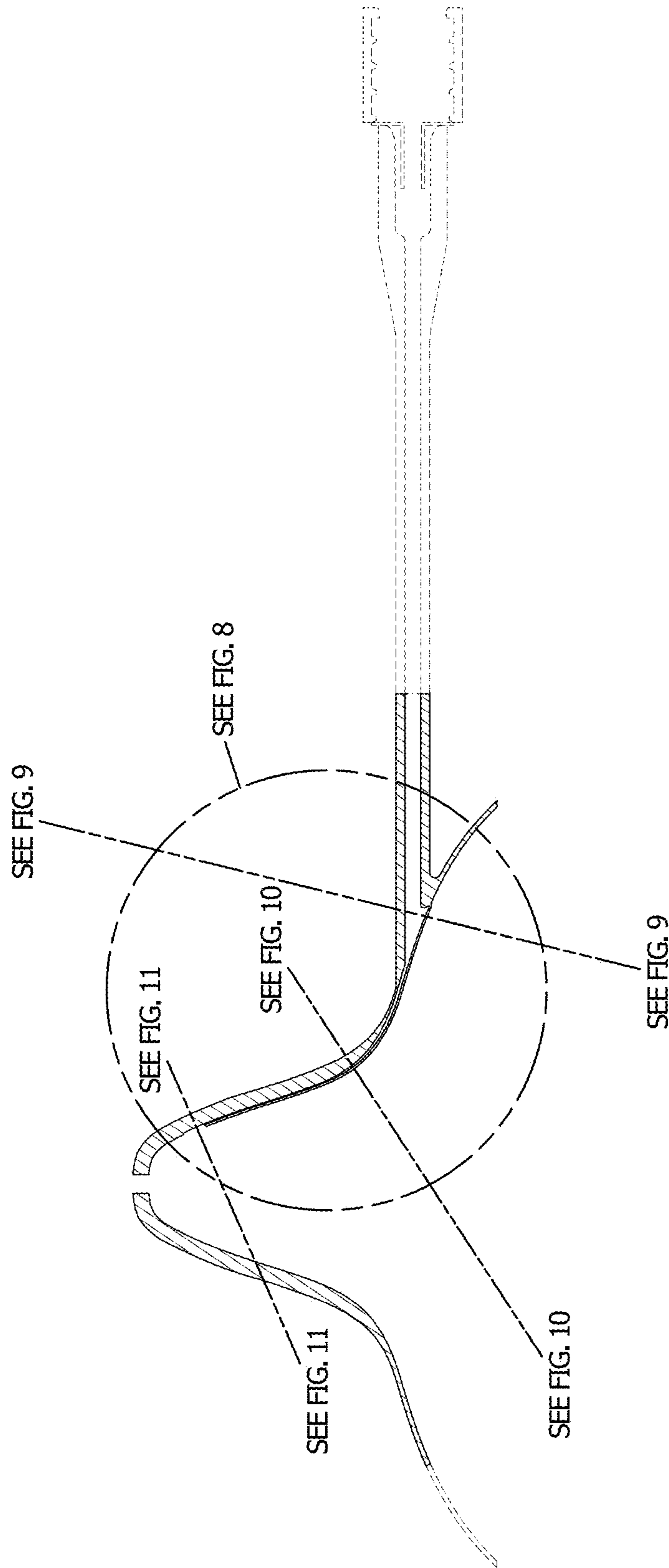


FIG. 7

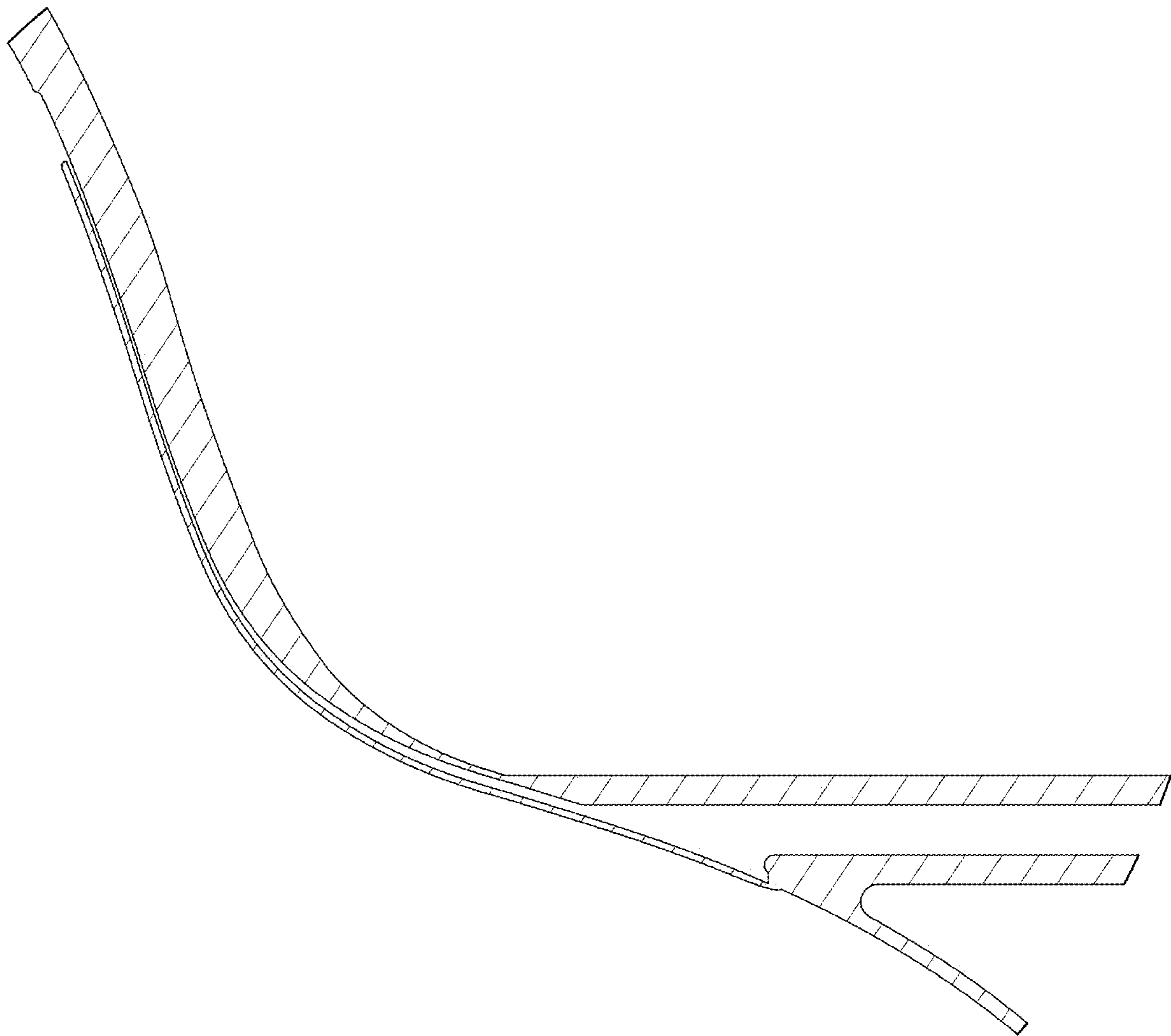


FIG. 8

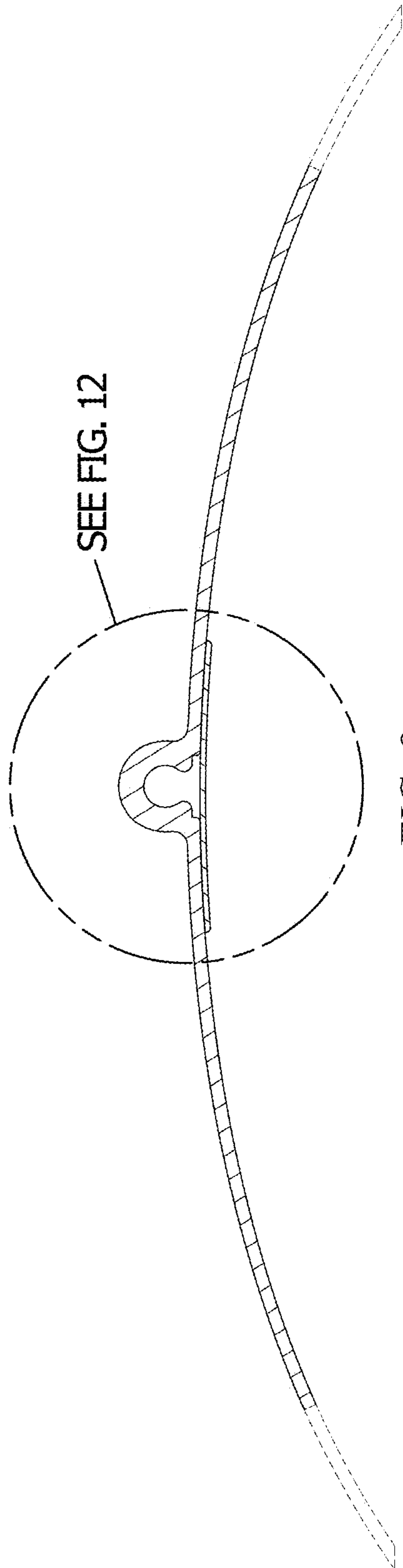


FIG. 9

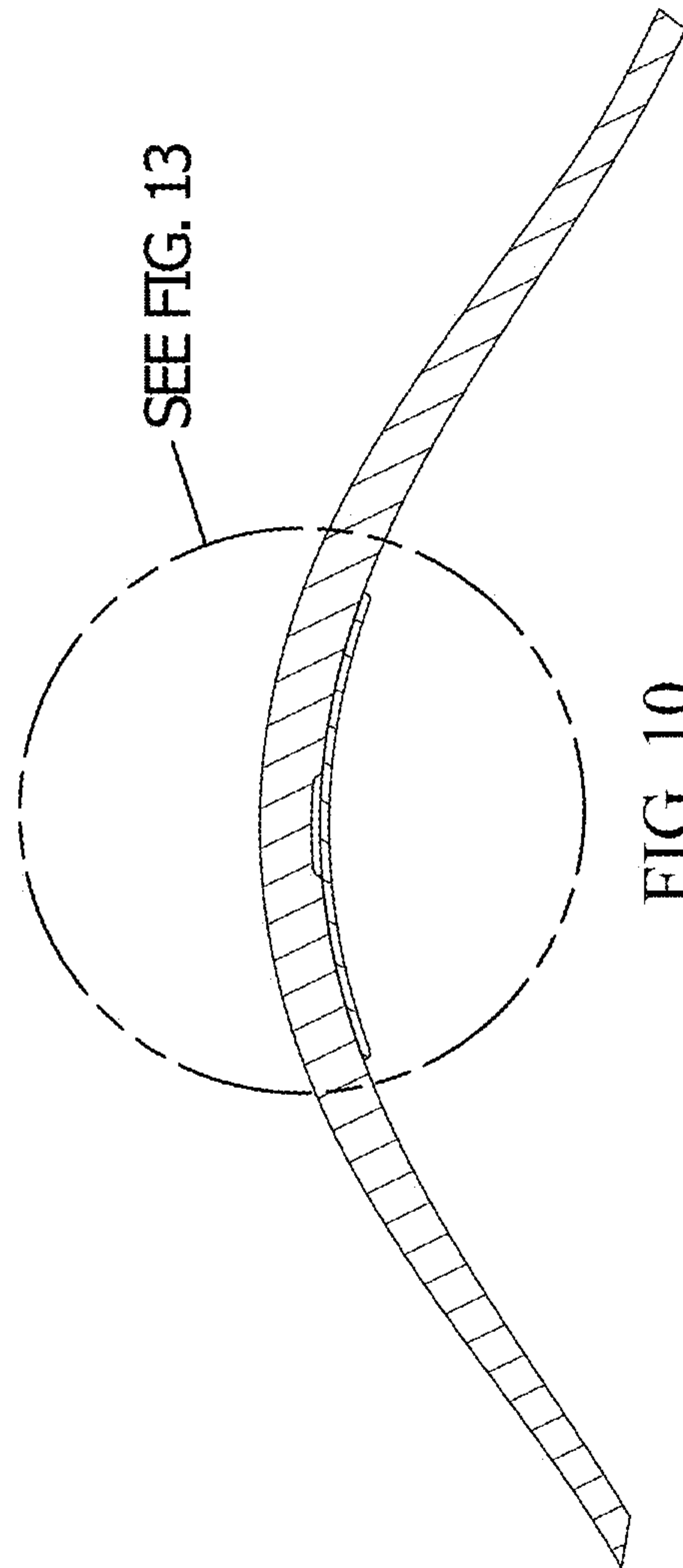


FIG. 10

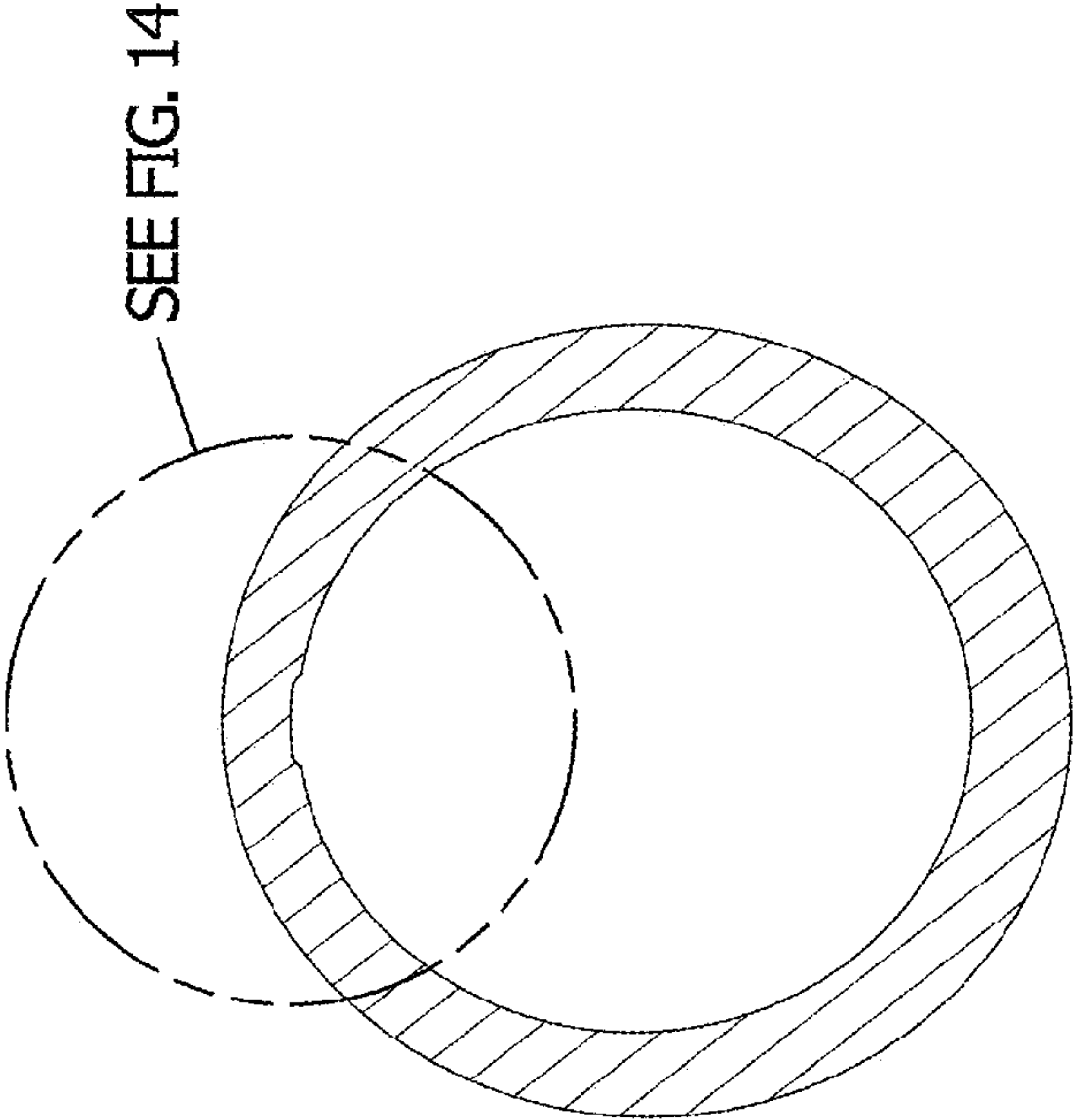


FIG. 11

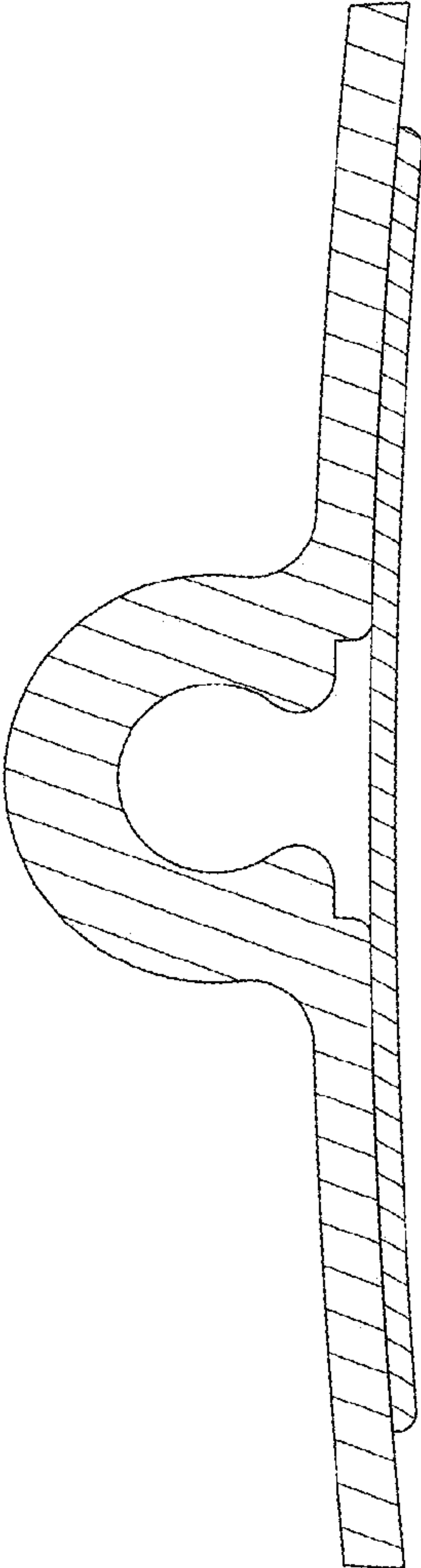


FIG. 12

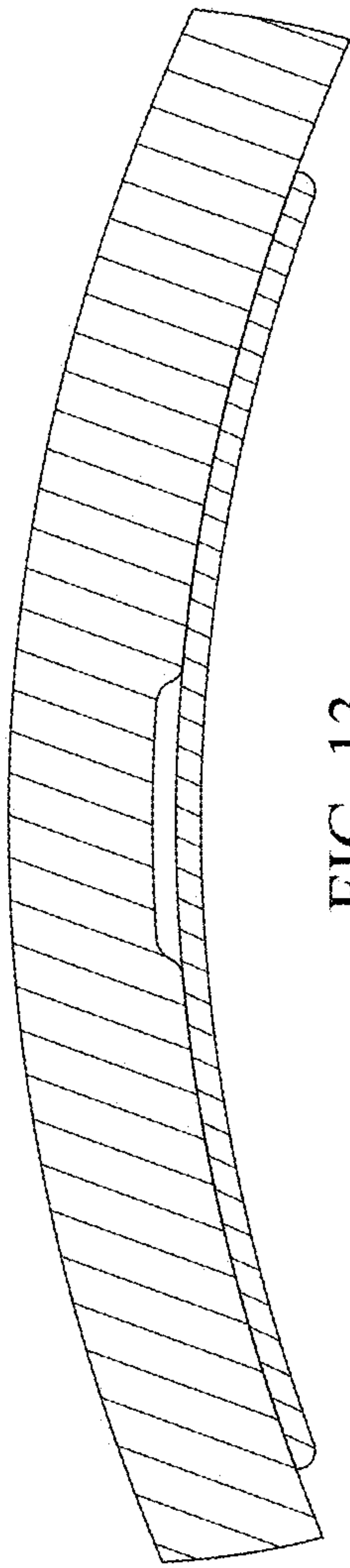


FIG. 13

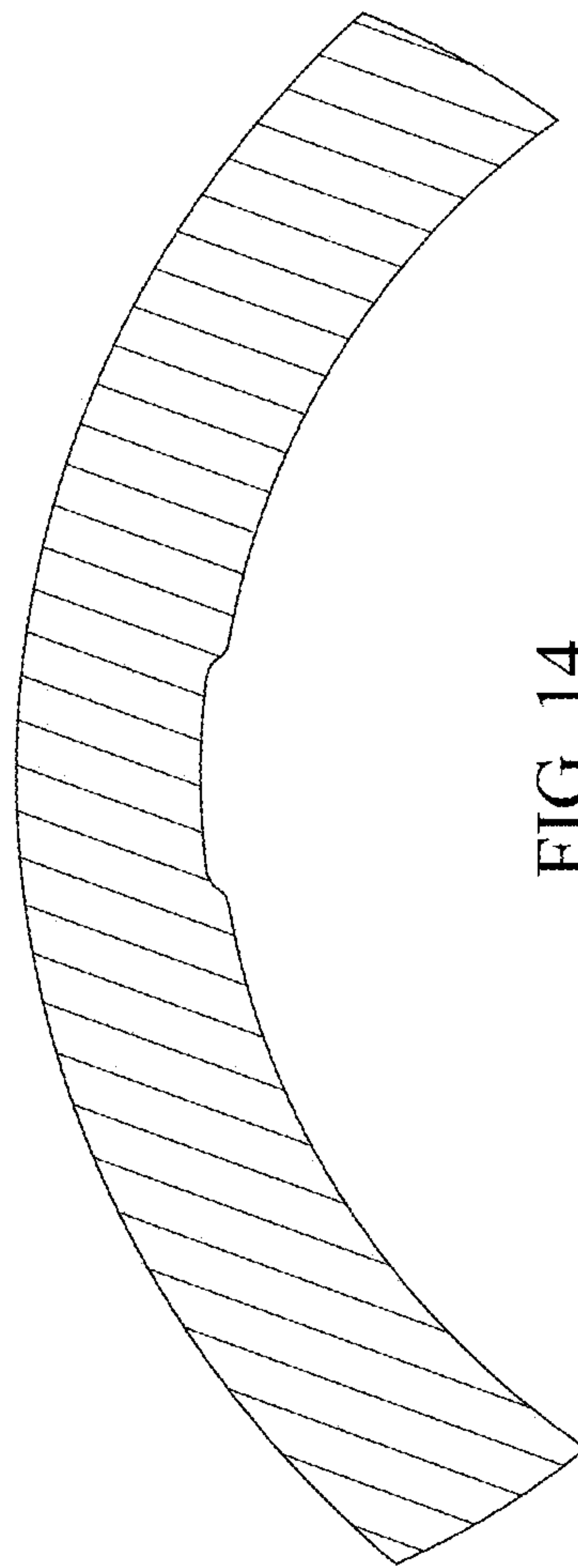


FIG. 14



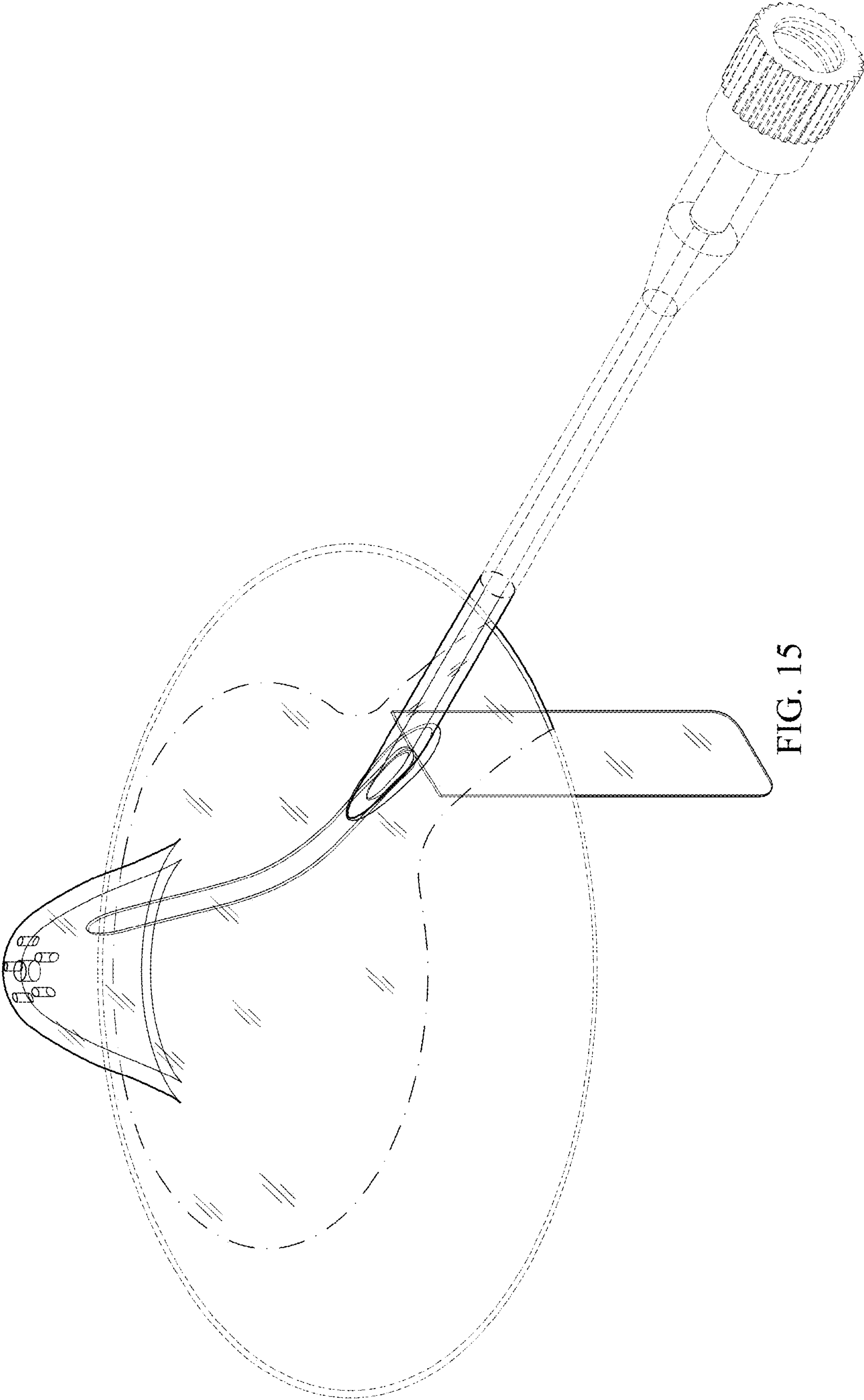
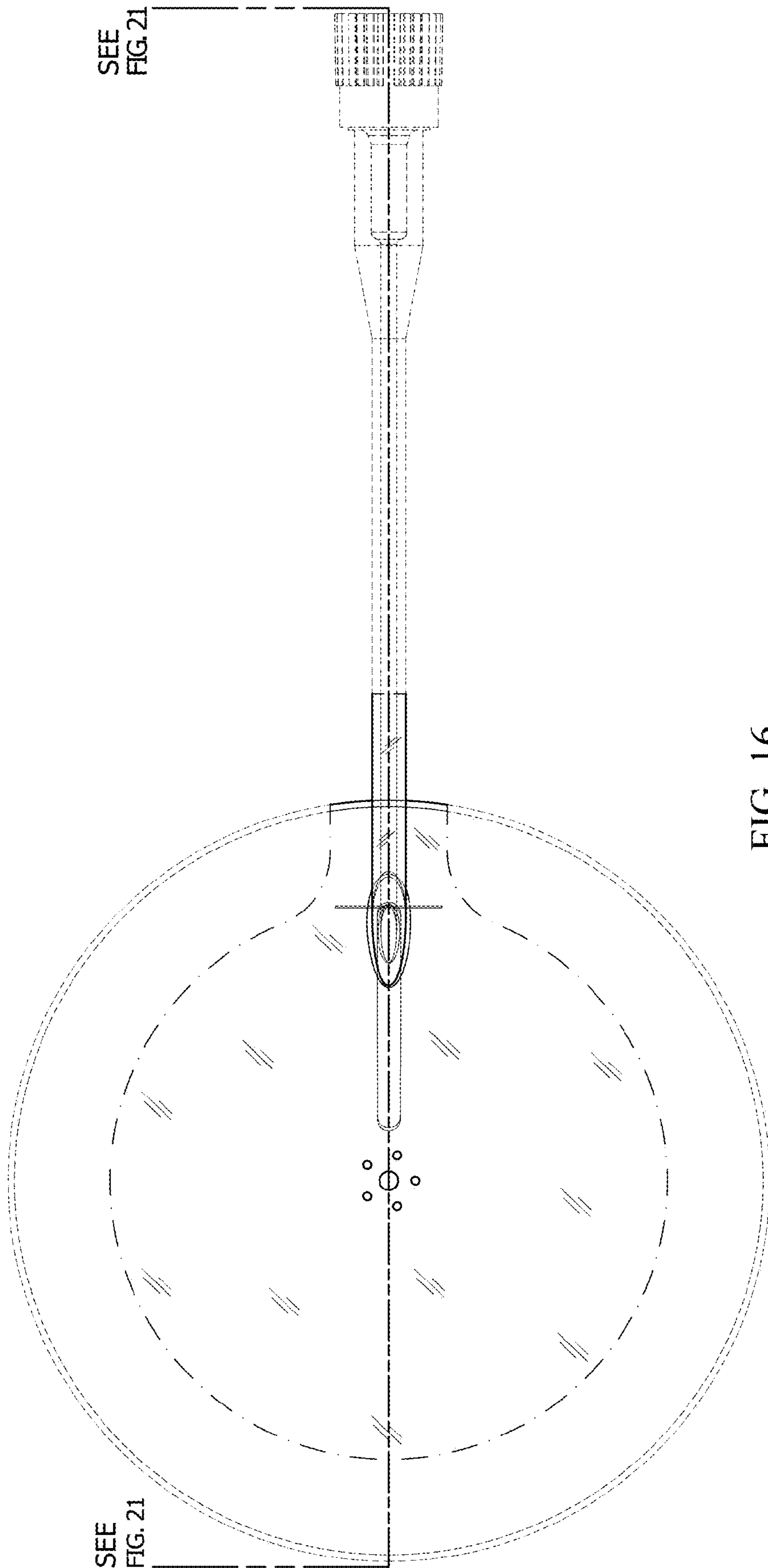


FIG. 15



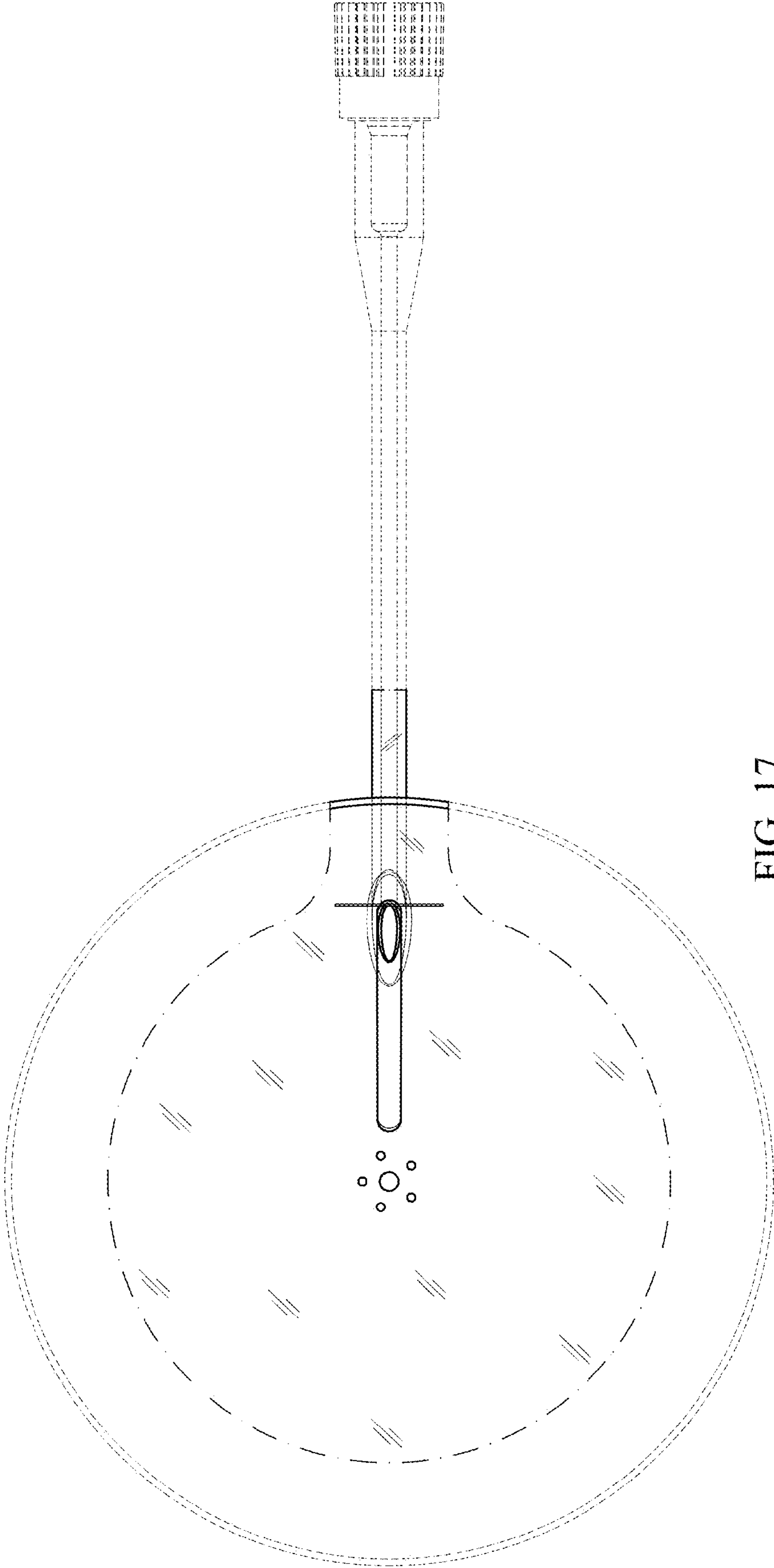


FIG. 17

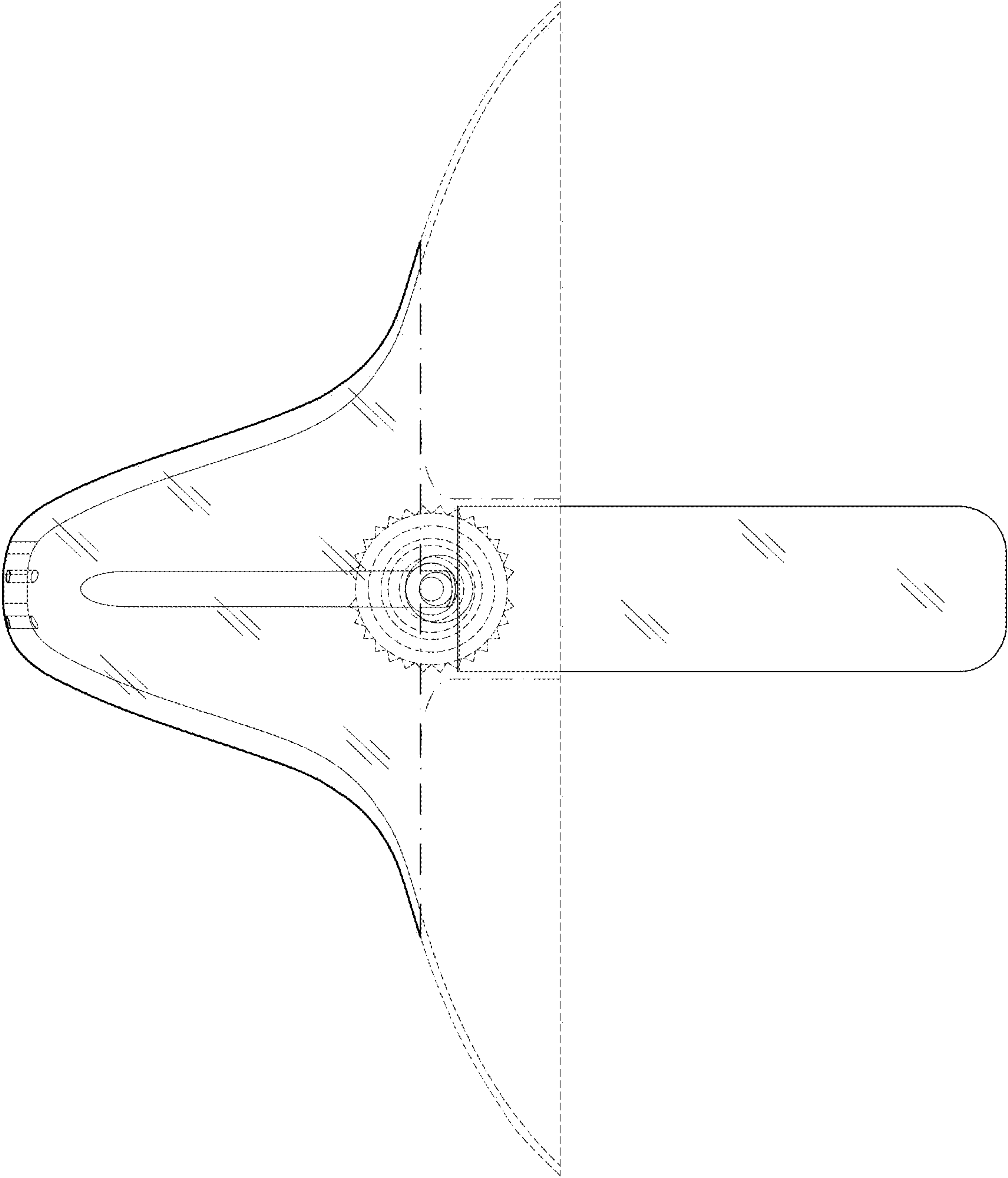


FIG. 18

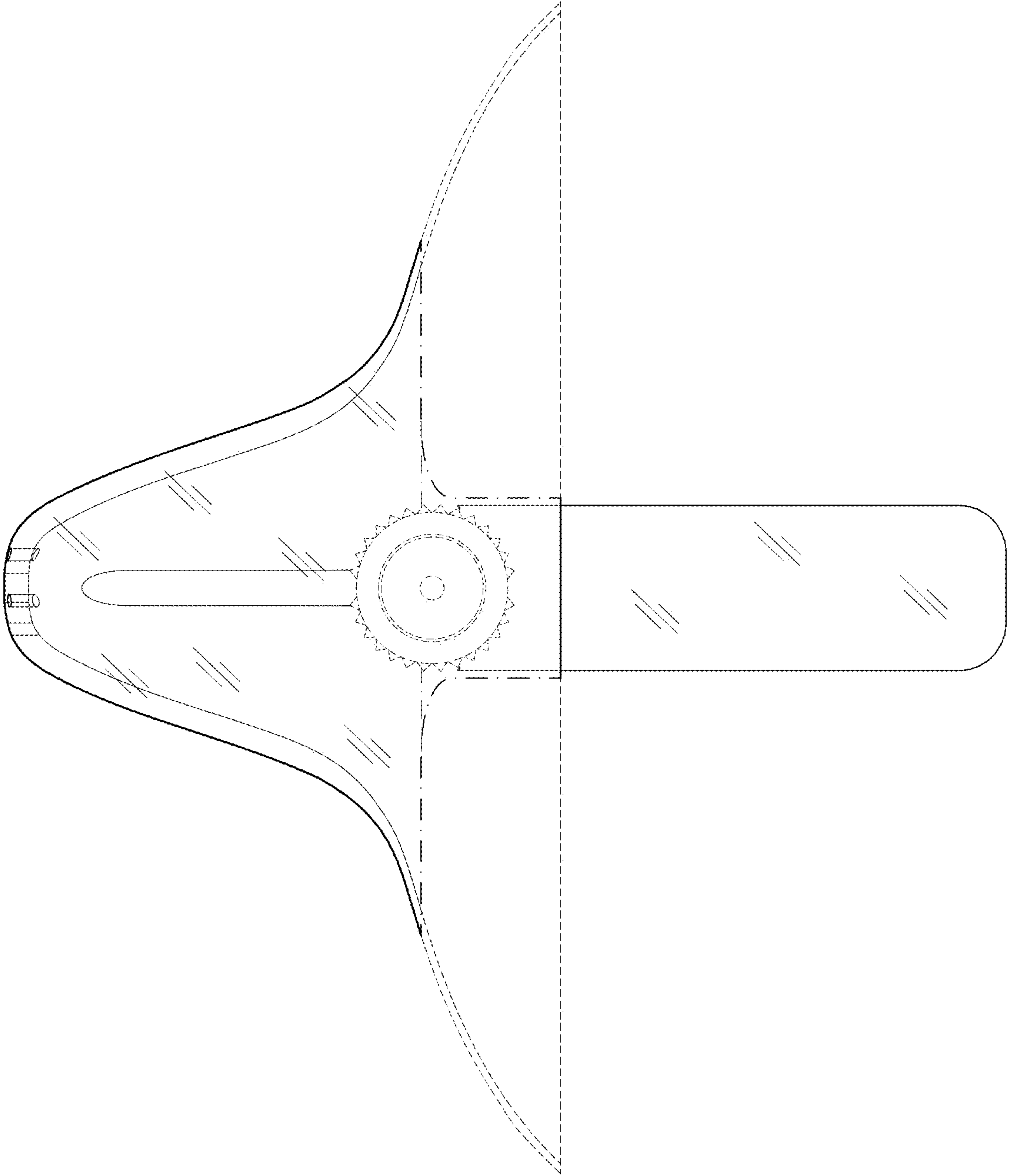


FIG. 19



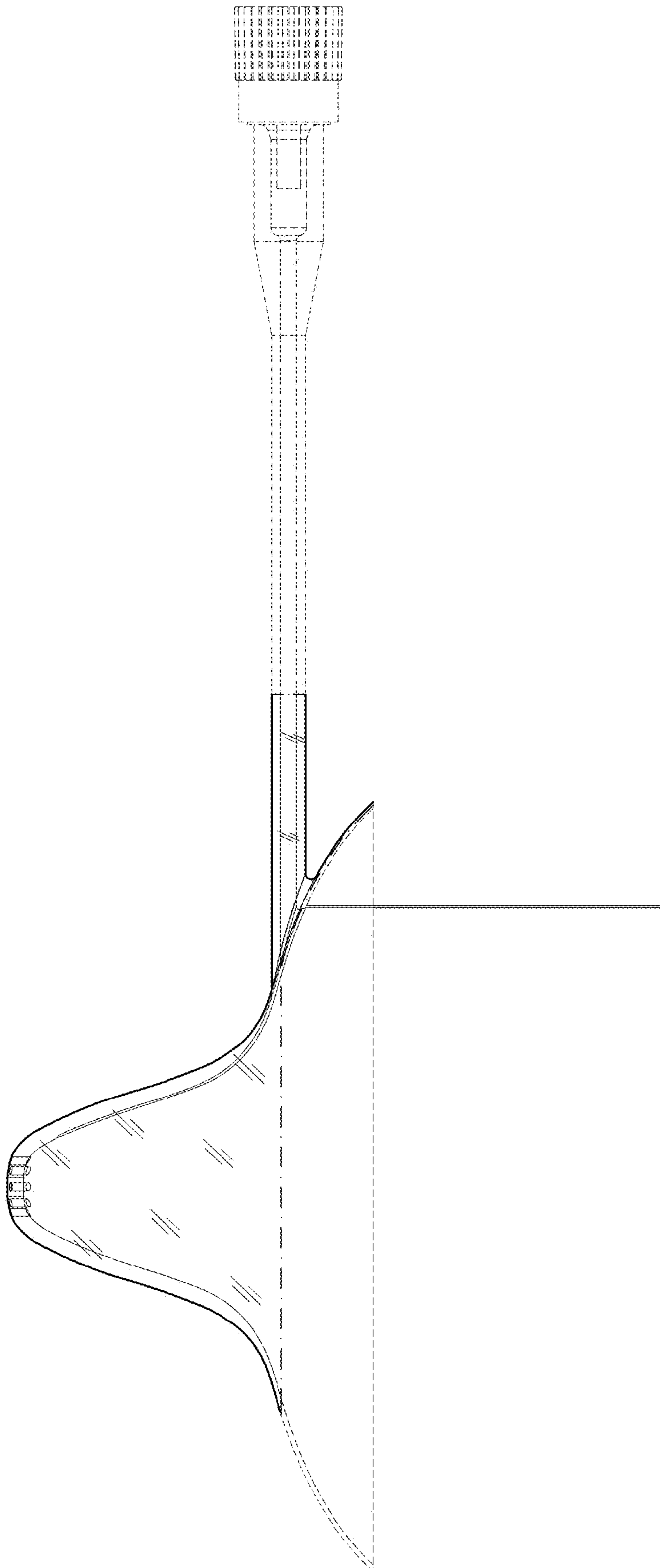


FIG. 20

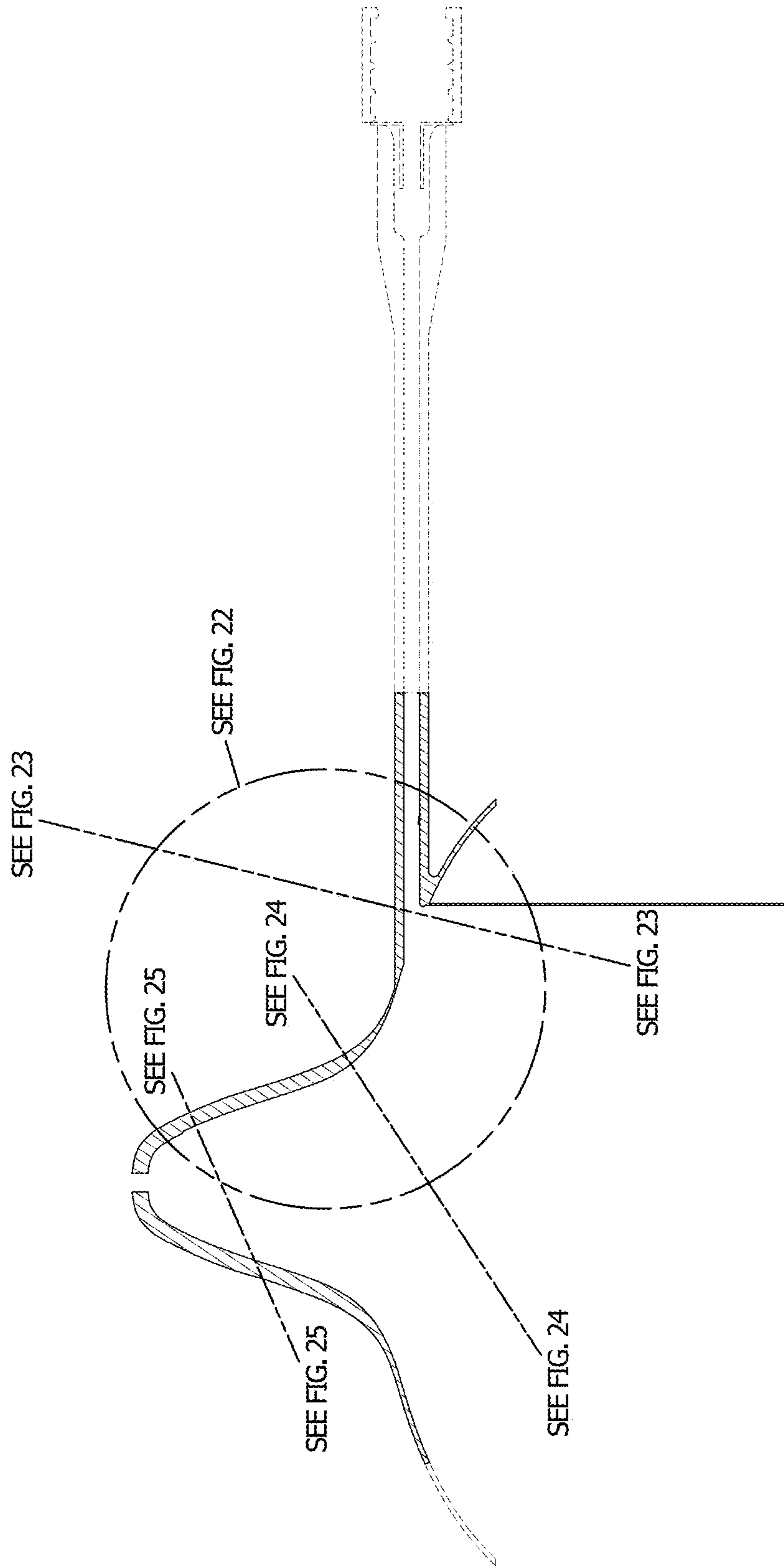


FIG. 21

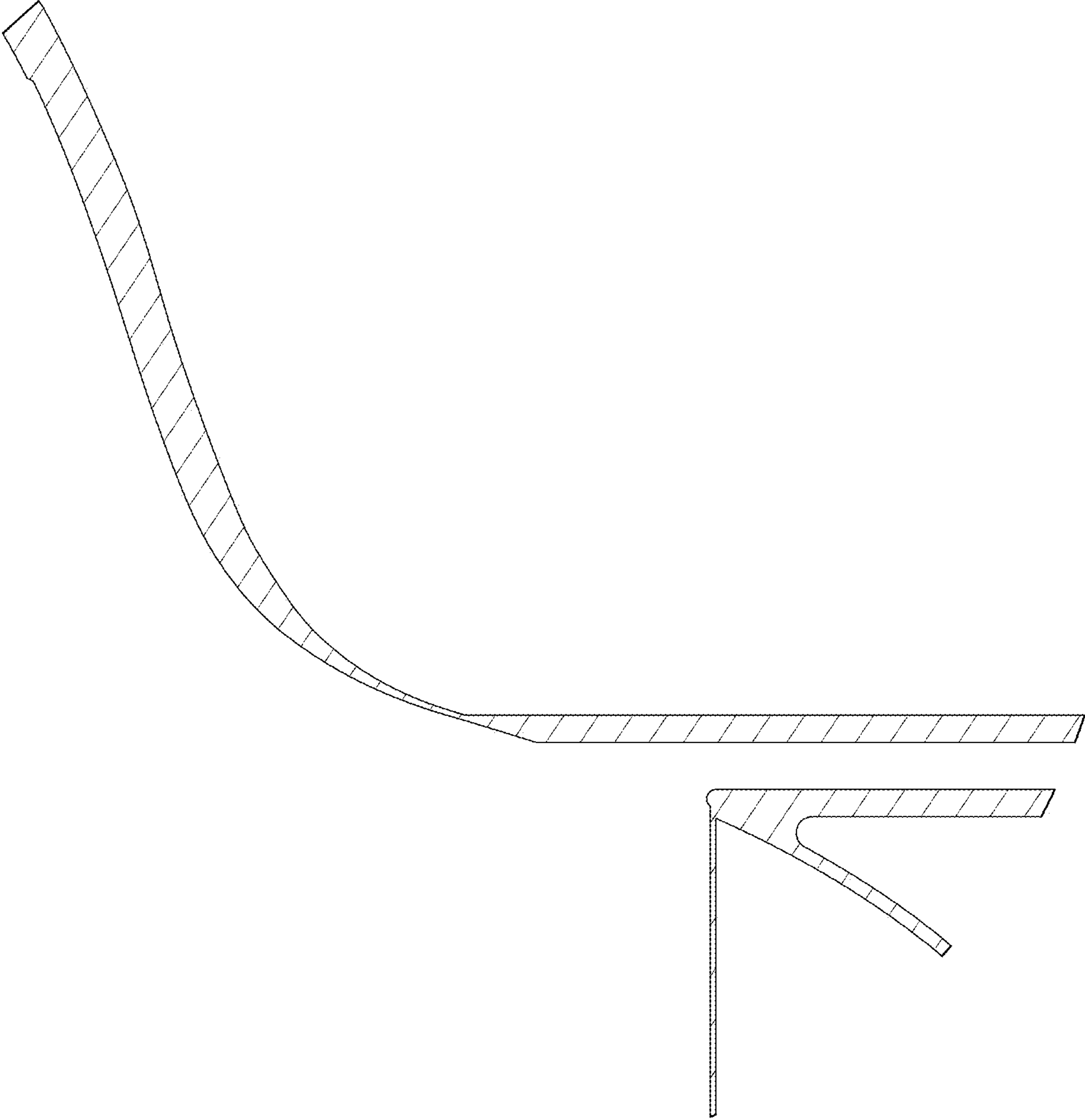
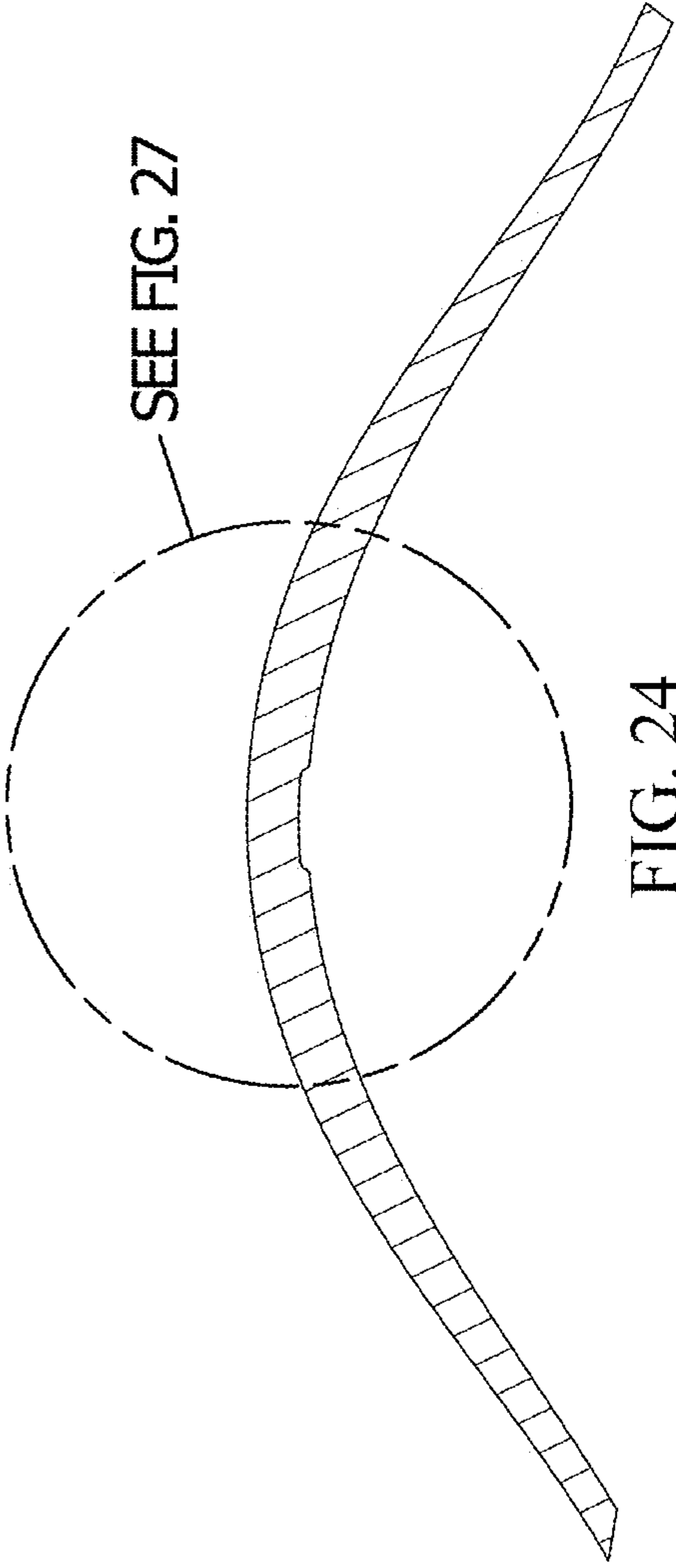
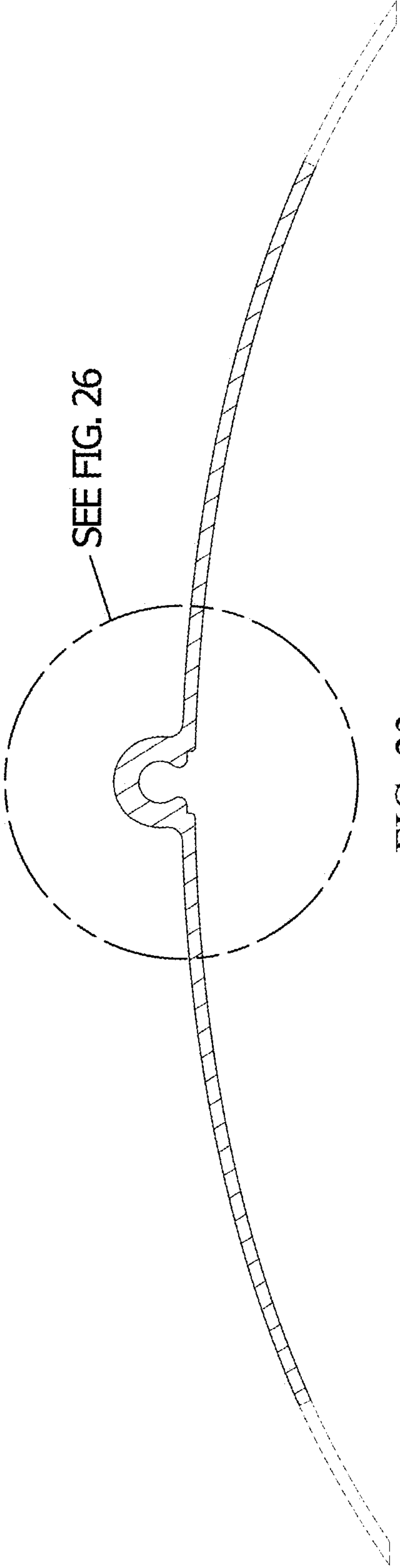


FIG. 22



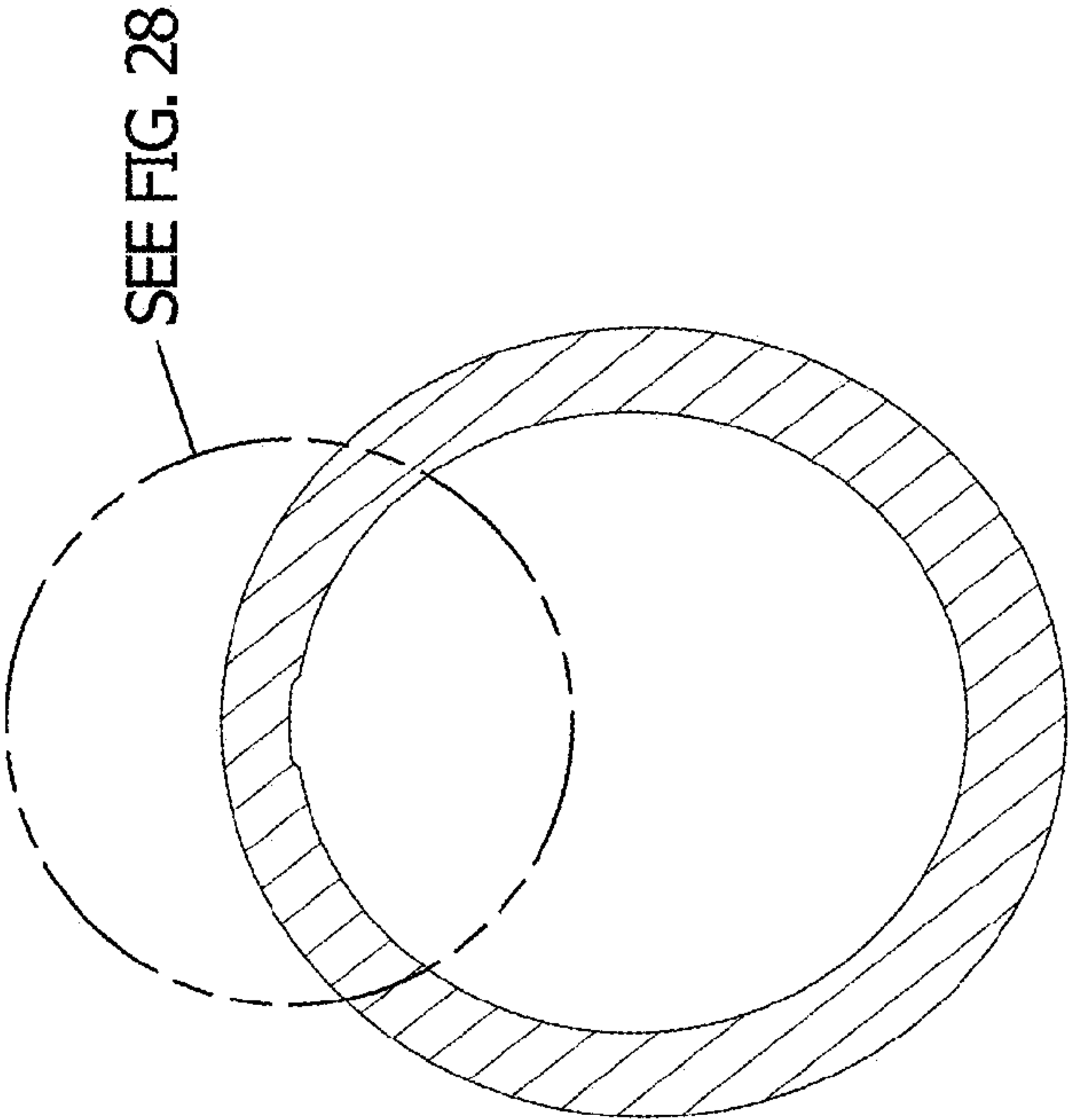


FIG. 25

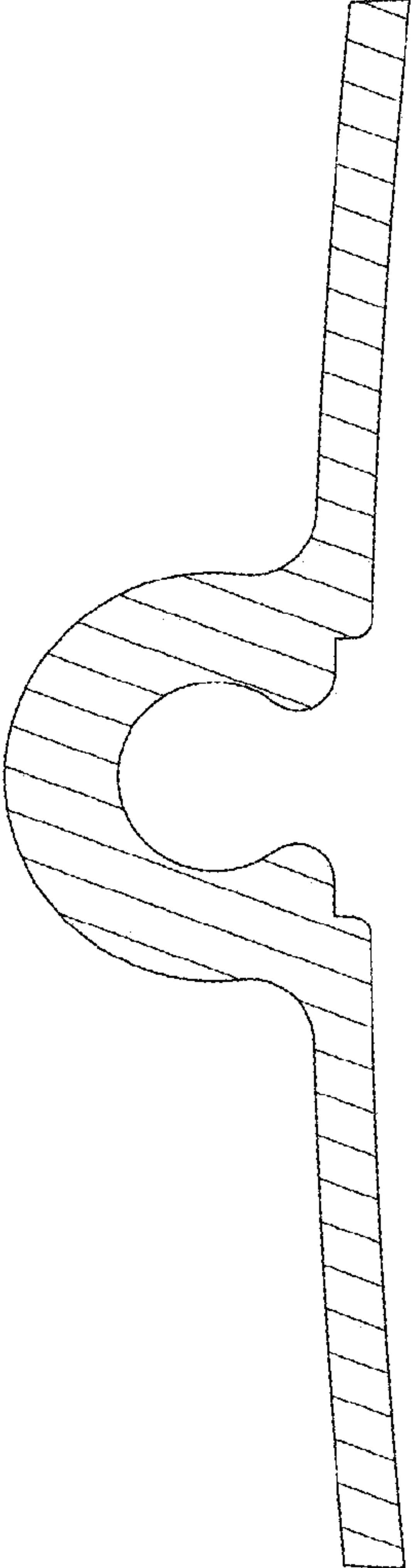


FIG. 26



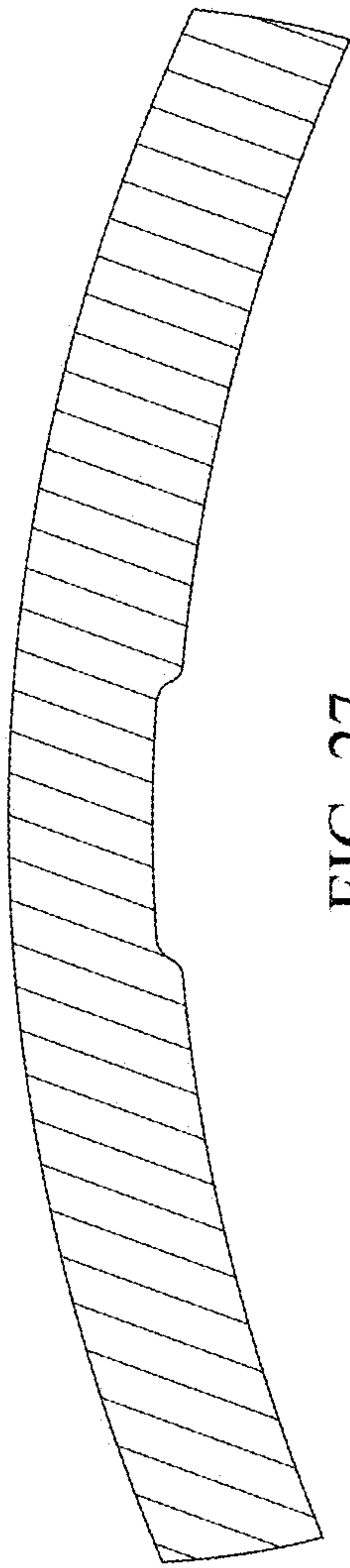


FIG. 27

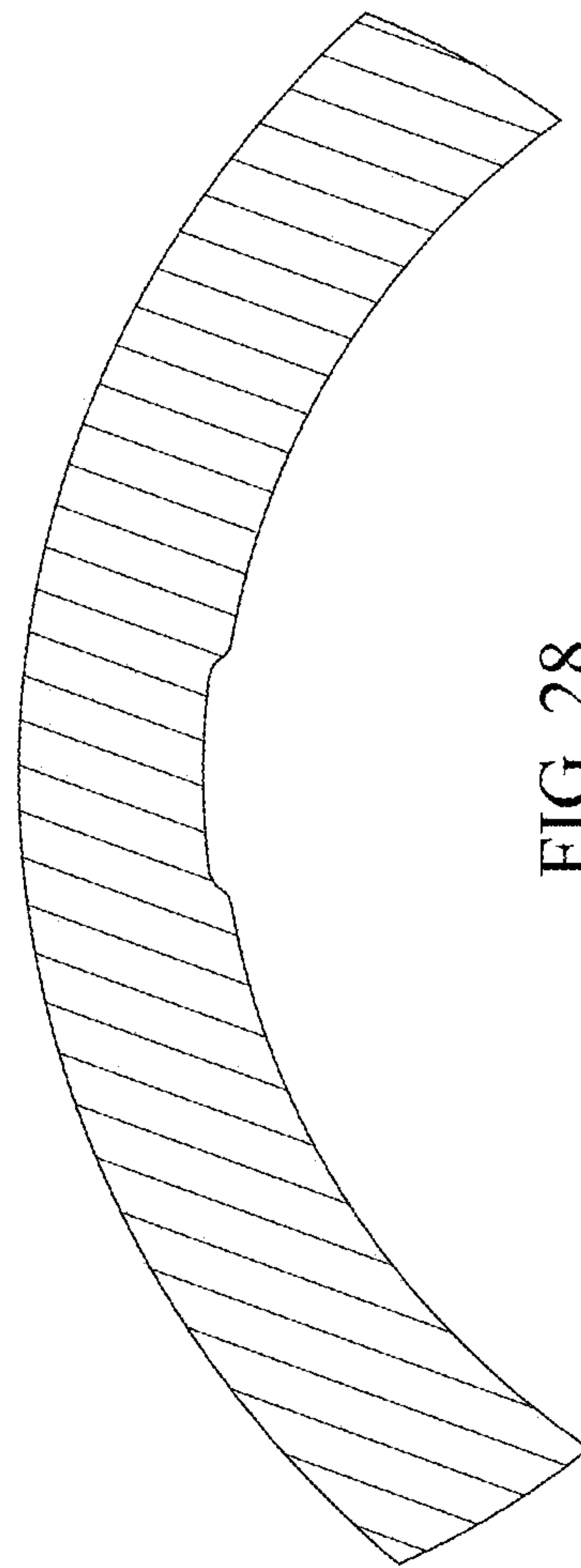


FIG. 28

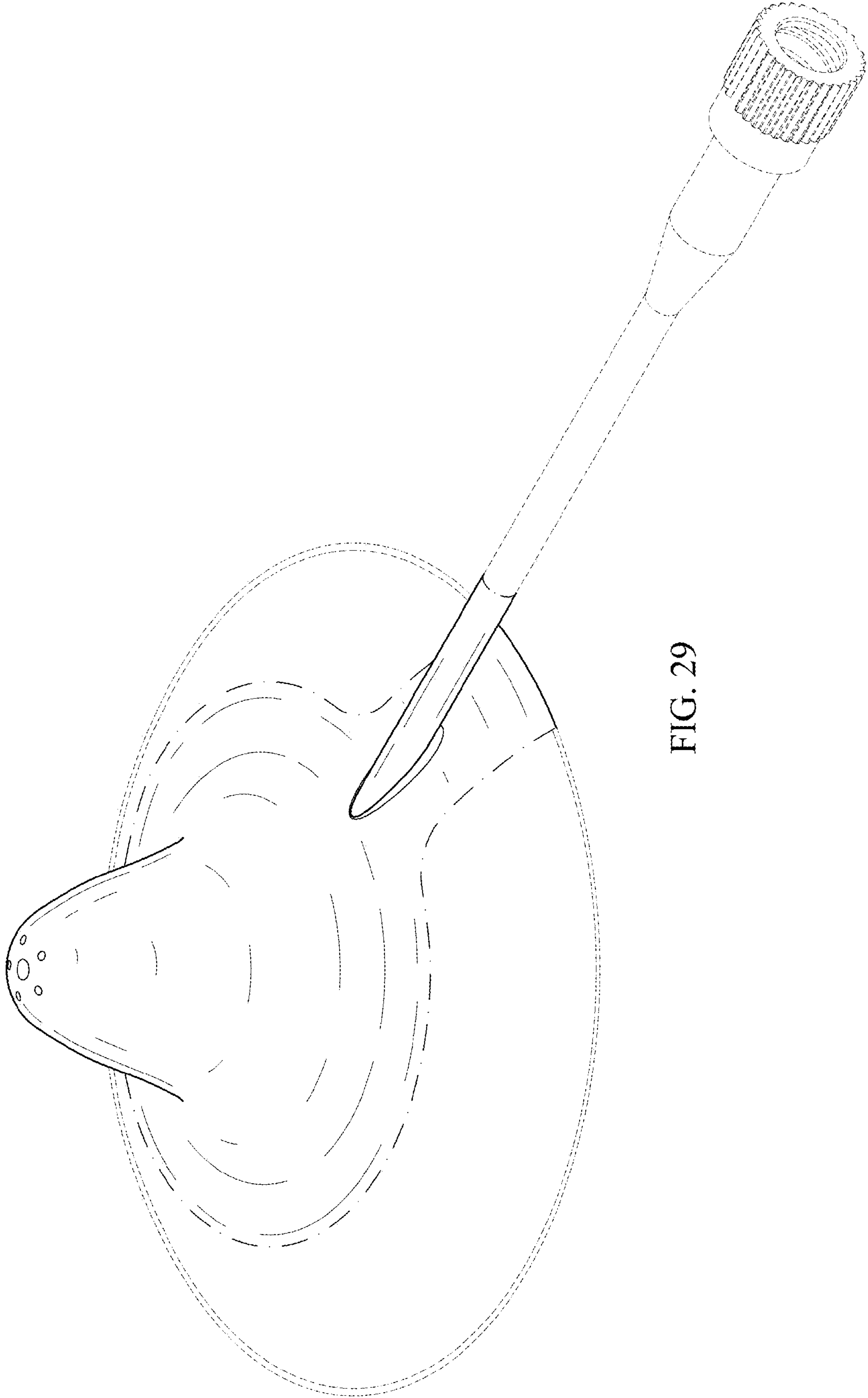


FIG. 29

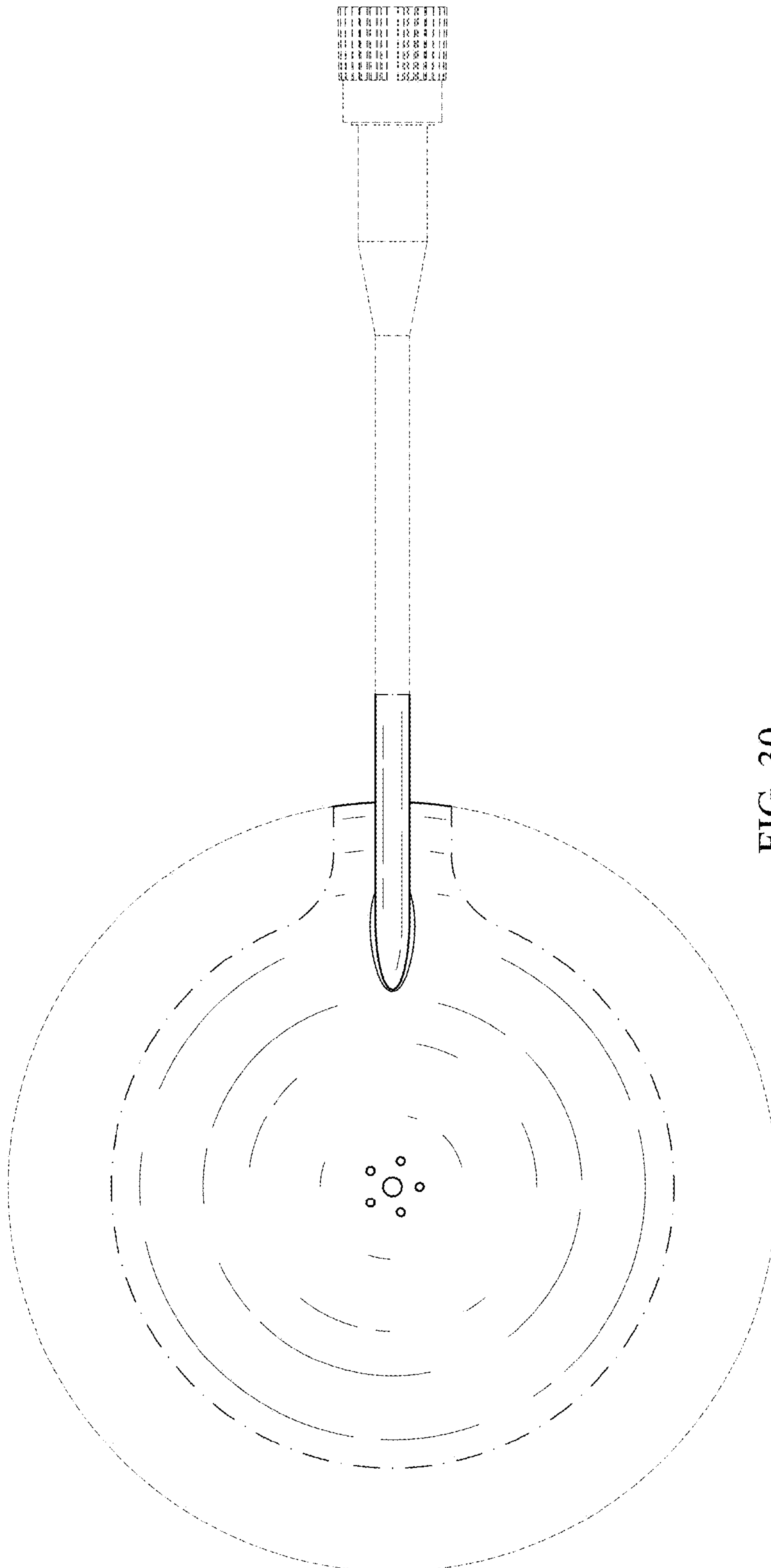


FIG. 30

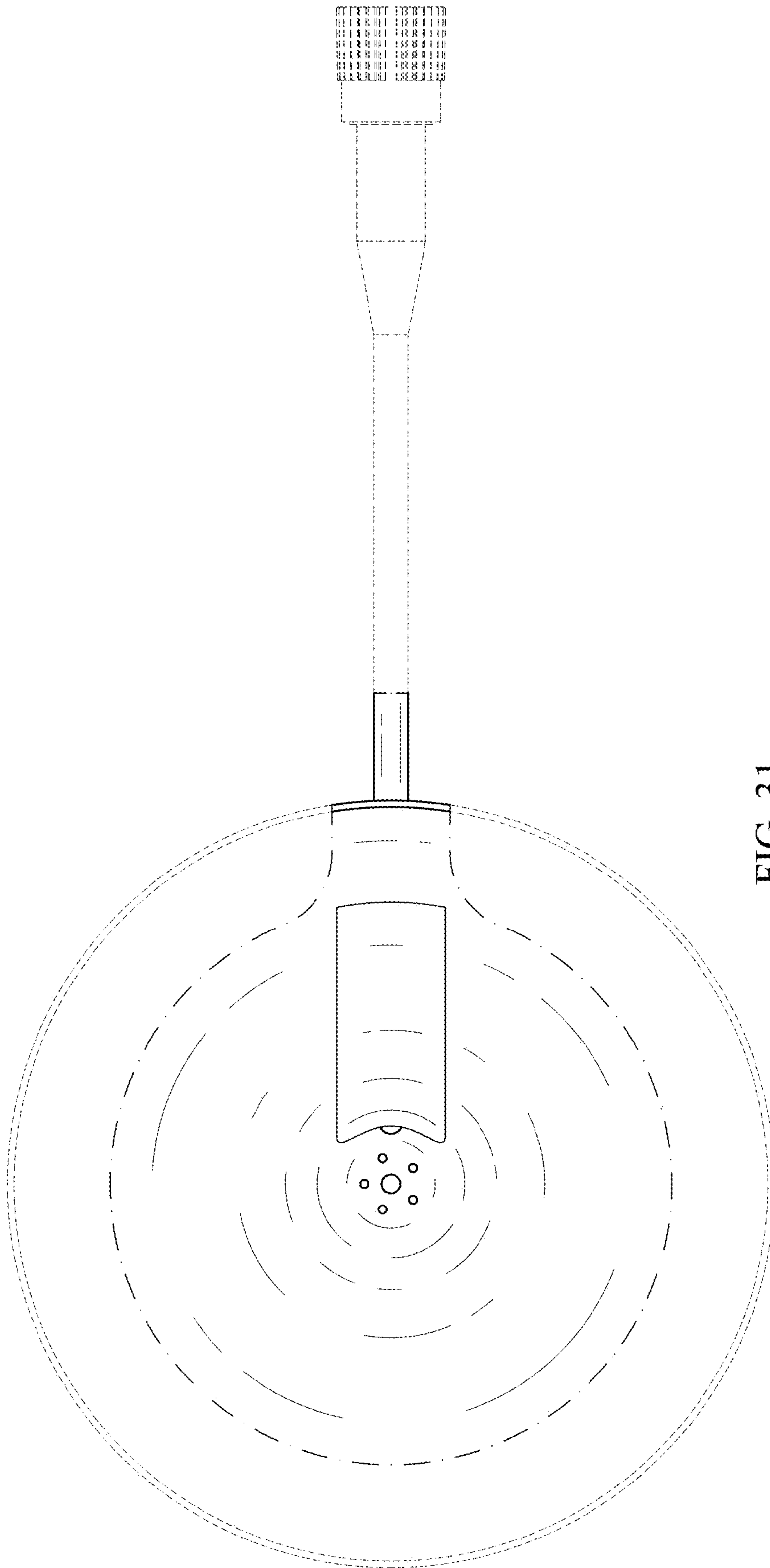


FIG. 31

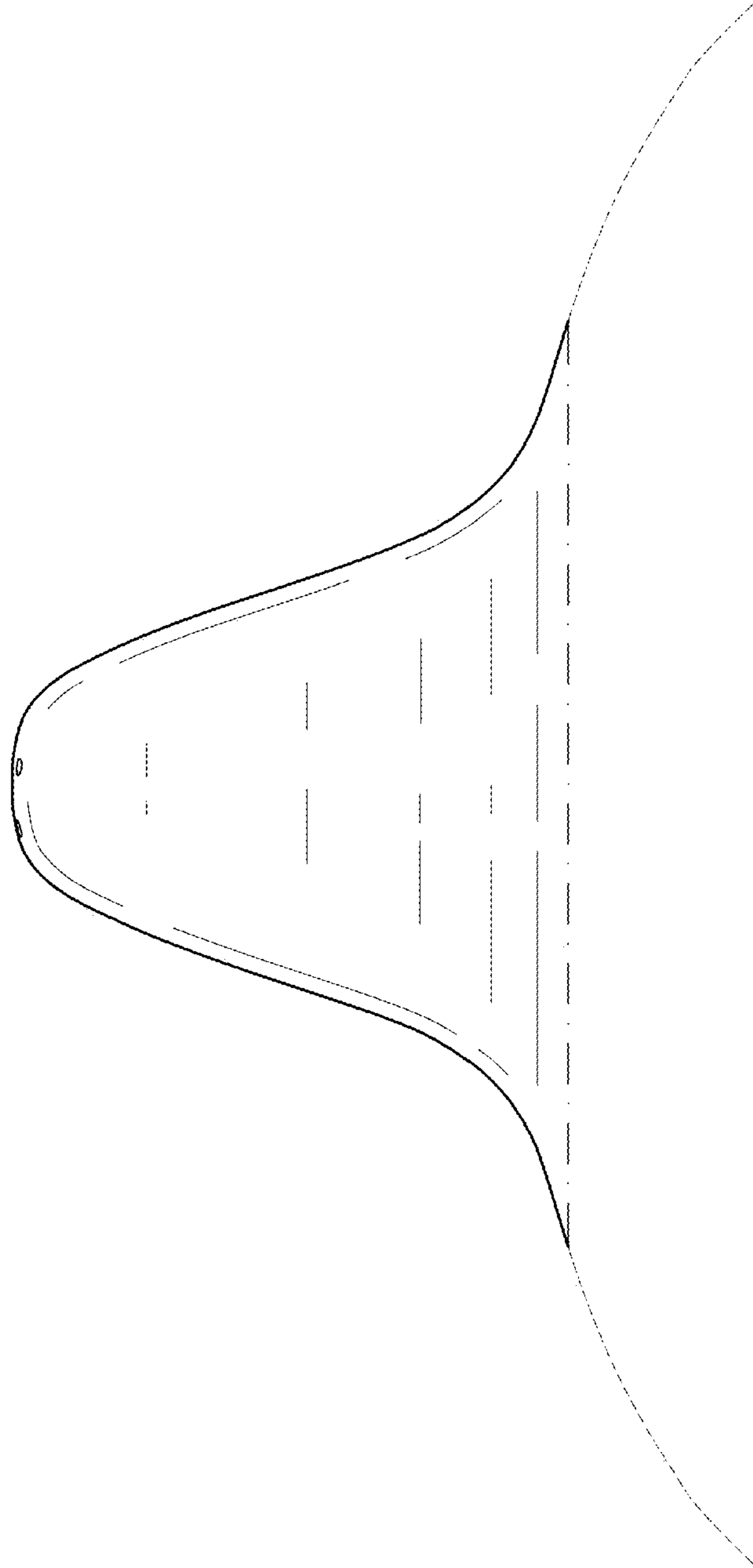


FIG. 32



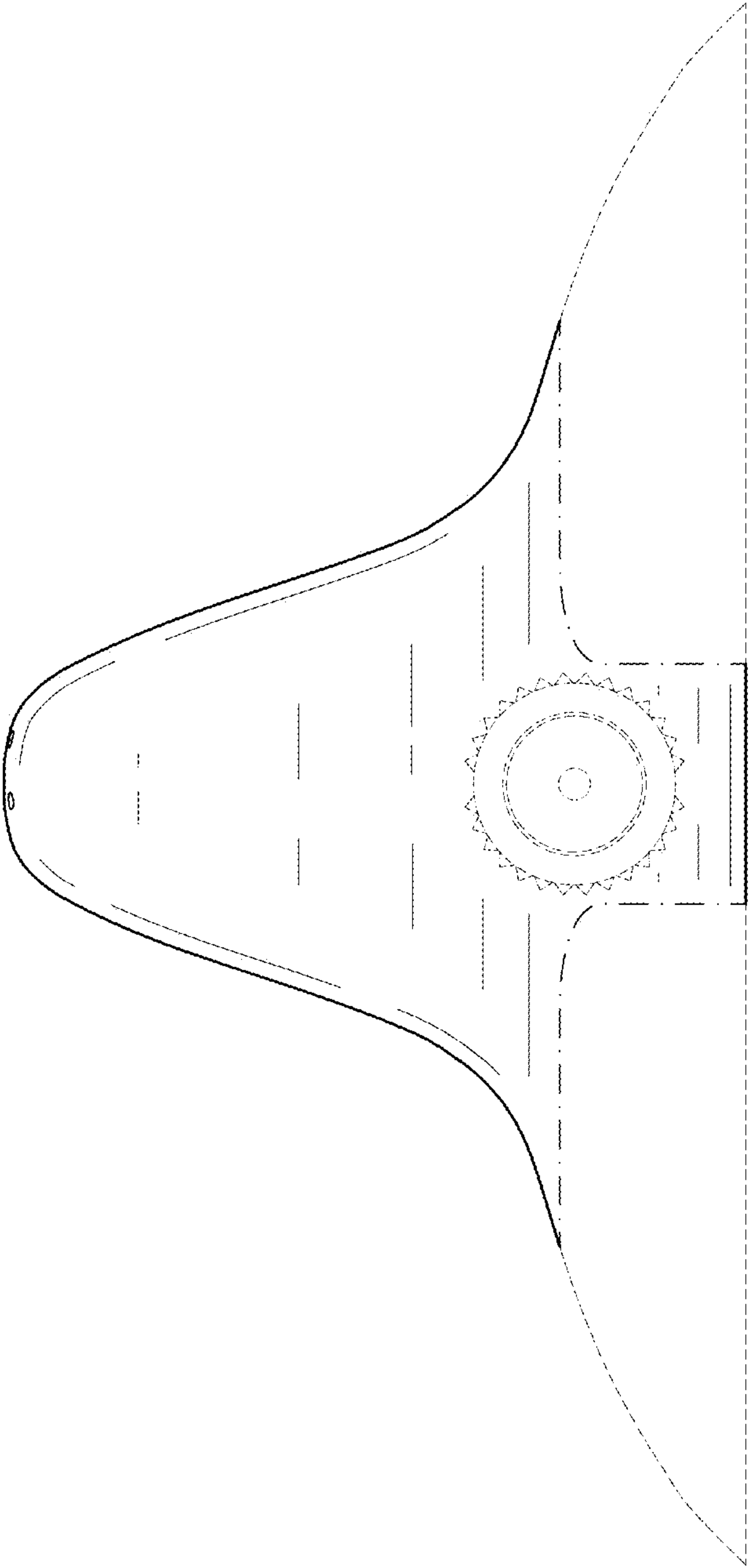


FIG. 33

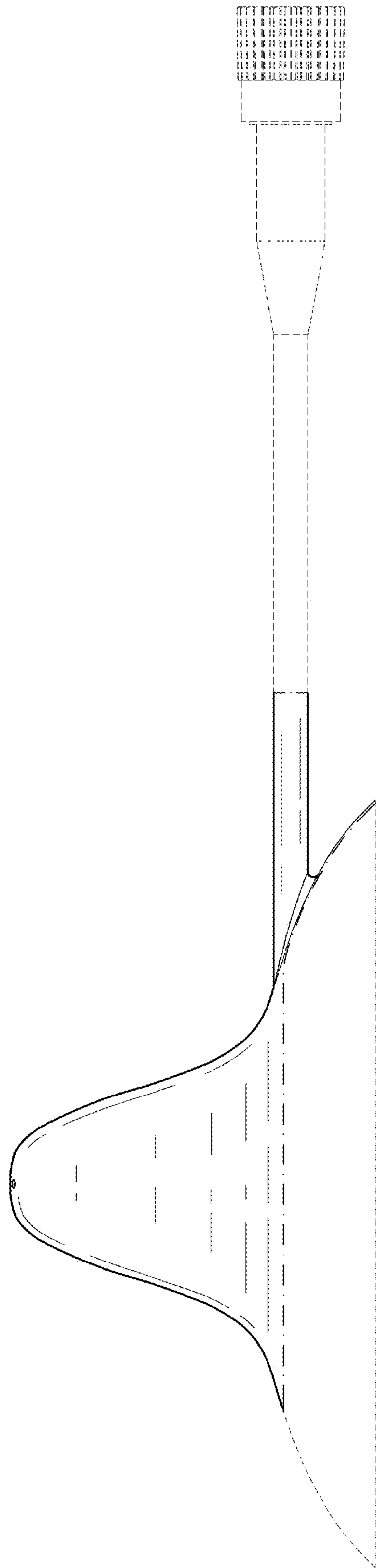


FIG. 34