



US00D914891S

(12) **United States Design Patent**
Langberg et al.

(10) **Patent No.:** **US D914,891 S**

(45) **Date of Patent:** **** Mar. 30, 2021**

(54) **BELT**

(71) Applicants: **Eric Langberg**, Milford, PA (US);
David Gulino, Tuckahoe, NY (US)

(72) Inventors: **Eric Langberg**, Milford, PA (US);
David Gulino, Tuckahoe, NY (US)

(73) Assignee: **IDVC, LLC**, Wayne, NJ (US)

(**) Term: **15 Years**

(21) Appl. No.: **29/651,898**

(22) Filed: **Jun. 10, 2019**

(51) **LOC (13) Cl.** **24-04**

(52) **U.S. Cl.**

USPC **D24/190**; D2/702

(58) **Field of Classification Search**

USPC D2/624, 627, 636, 702, 859; D24/190;
D3/224–227

CPC A41F 11/16; A41F 13/00; A41F 17/04;
A41F 9/002; A41F 9/02; A41F 9/025;
A61F 2007/0022; A61F 2007/0023; A61F
2007/0025; A61F 2007/0026; A61F
2007/0027; A61F 5/02; A61F 5/028;
A61F 5/03; A61F 7/02; B60R 2022/008

See application file for complete search history.

(56) **References Cited**

U.S. PATENT DOCUMENTS

- 3,119,117 A * 1/1964 Grubman A41F 9/002
2/102
- 5,318,507 A * 6/1994 Greengarg A61F 5/028
2/48
- D375,186 S * 11/1996 Kim D13/183
- D418,948 S * 1/2000 London D24/190
- 6,336,908 B1 * 1/2002 Slautterback A41F 9/002
2/312
- D625,019 S * 10/2010 Chiang D24/190

- D633,622 S * 3/2011 Chiang D24/190
- D789,547 S * 6/2017 Matfus D24/190
- D881,515 S * 4/2020 Mei D2/702
- D884,199 S * 5/2020 Mei D24/190
- D893,733 S * 8/2020 Watabe D24/190
- 2003/0050584 A1 * 3/2003 Toda A61F 5/028
602/19
- 2015/0306413 A1 * 10/2015 Tripolsky A61F 7/02
600/15
- 2017/0303604 A1 * 10/2017 Kasabo A41D 13/0525
- 2017/0354531 A1 * 12/2017 Matsuo A41C 1/08
- 2019/0269544 A1 * 9/2019 Hayes A61F 5/03
- 2019/0343673 A1 * 11/2019 Wolanske A61F 5/028

* cited by examiner

Primary Examiner — Kevin K Rudzinski

Assistant Examiner — Clare Ann Gannon

(74) *Attorney, Agent, or Firm* — Dan DeLaRosa

(57) **CLAIM**

The ornamental design for a belt, as shown and described.

DESCRIPTION

FIG. 1 is front perspective view of a belt showing my new design;

FIG. 2 is a front elevation view thereof;

FIG. 3 is a rear elevation view thereof;

FIG. 4 is a right side elevation view thereof;

FIG. 5 is a left side elevation view thereof;

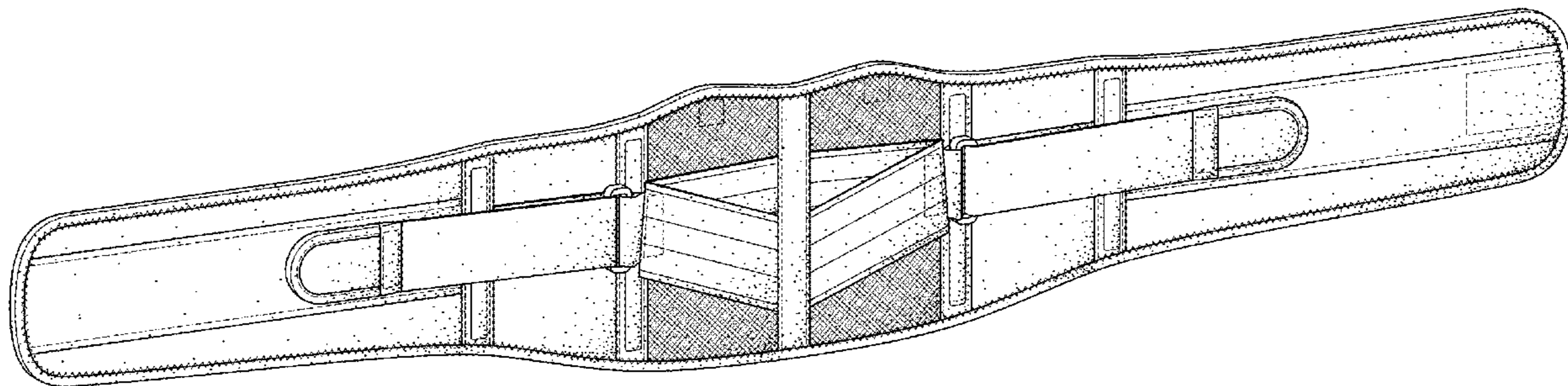
FIG. 6 is a top plan view thereof;

FIG. 7 is bottom plan view thereof; and,

FIG. 8 is a perspective view thereof, shown positioned on a user.

The even dashed broken lines entirely surrounded by shading represent stitching that form no part of the claimed design. The remaining evenly dashed broken lines depict portions of the article that form no part of the claimed design. The dot-dashed broken lines in FIG. 8 depict environment that forms no part of the claimed design.

1 Claim, 6 Drawing Sheets



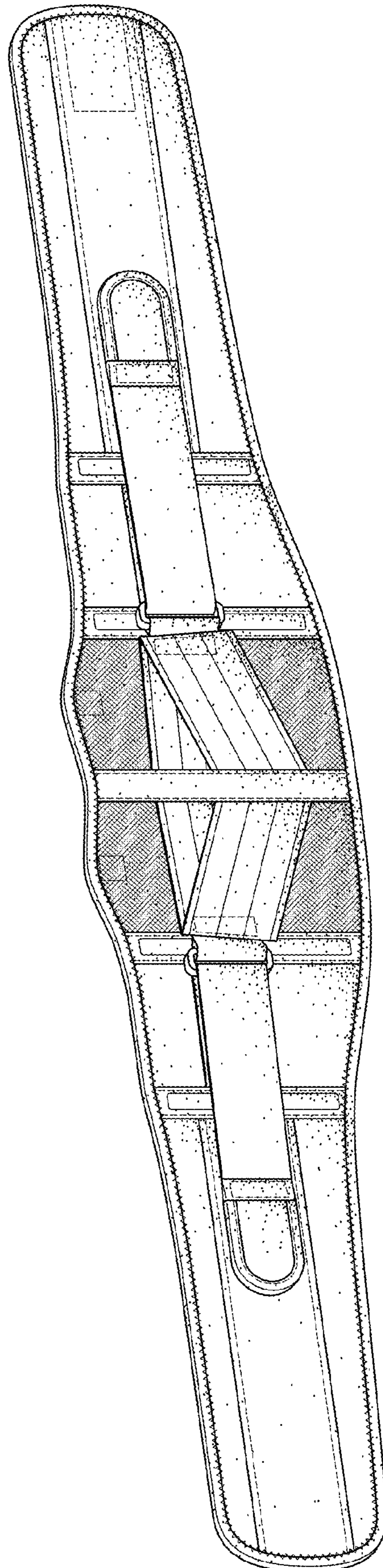


FIG. 1

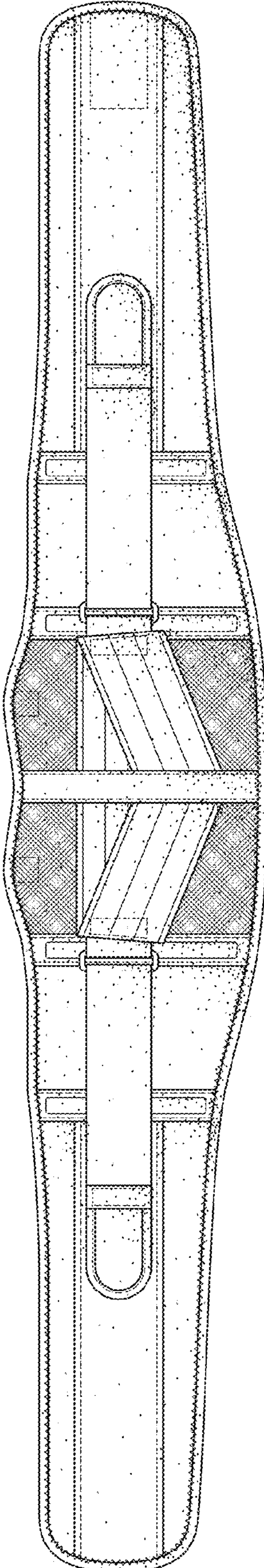


FIG. 2

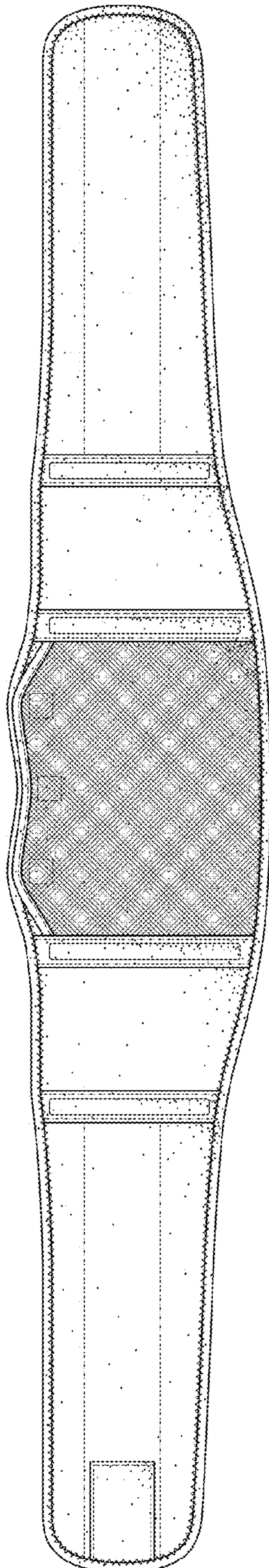


FIG. 3

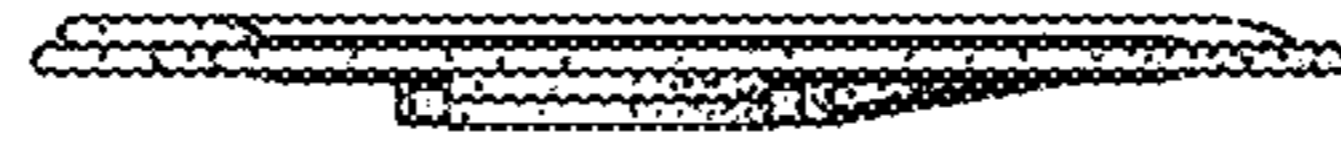


FIG. 5

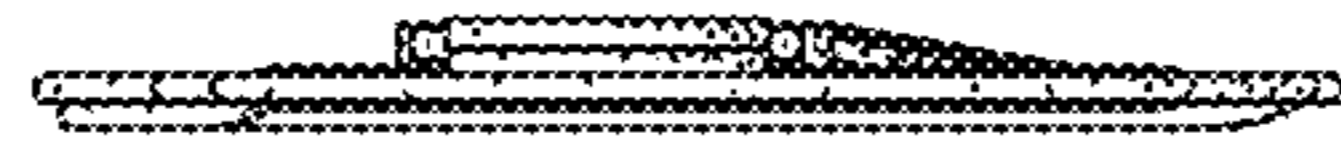


FIG. 4



FIG. 6



FIG. 7

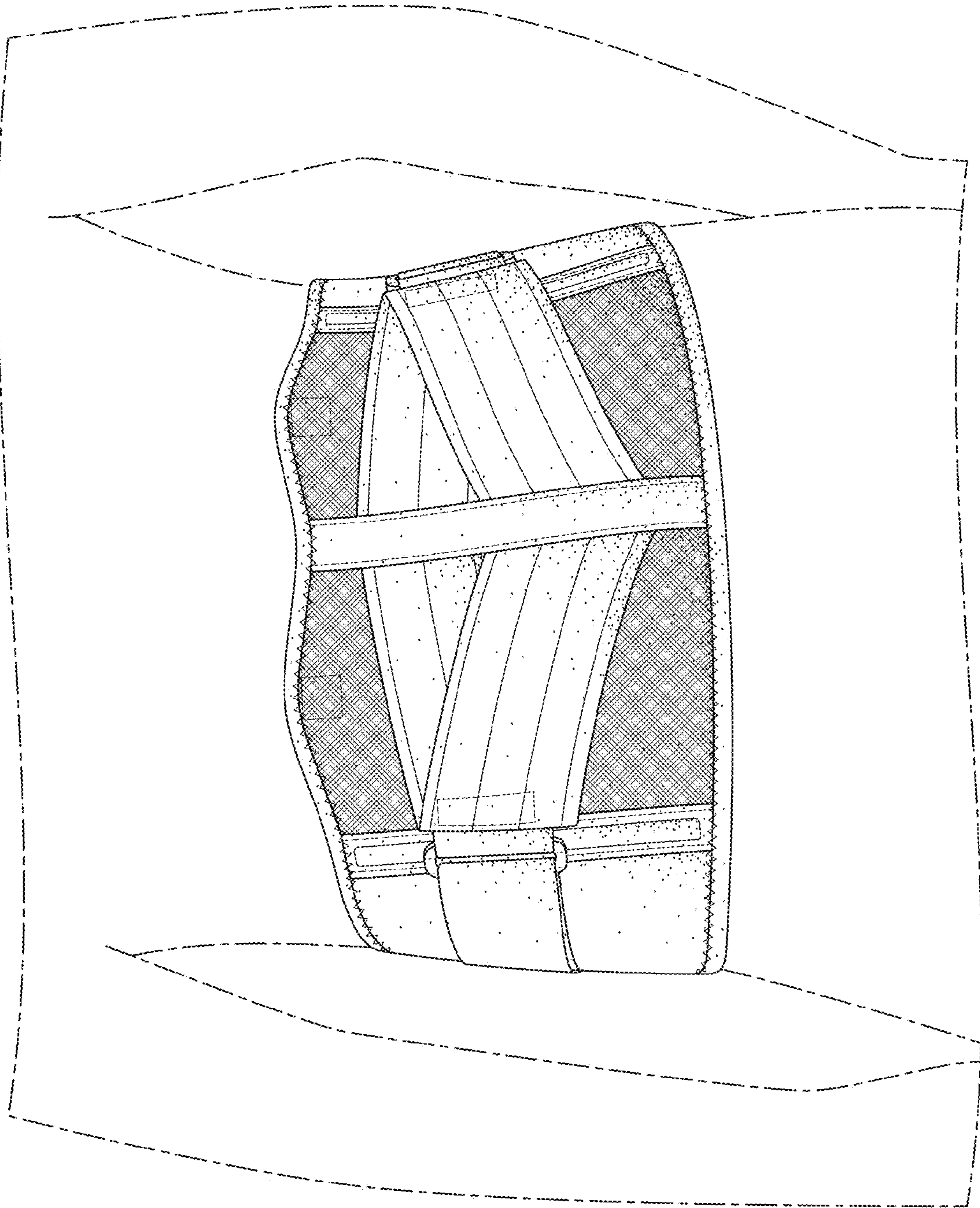


FIG. 8