



US00D914890S

(12) **United States Design Patent**
Langberg et al.

(10) **Patent No.:** **US D914,890 S**
(45) **Date of Patent:** **** Mar. 30, 2021**

- (54) **BELT**
- (71) Applicants: **Eric Langberg**, Milford, PA (US);
David Gulino, Tuckahoe, NY (US)
- (72) Inventors: **Eric Langberg**, Milford, PA (US);
David Gulino, Tuckahoe, NY (US)
- (73) Assignee: **IDVC, LLC**, Wayne, NJ (US)
- (**) Term: **15 Years**
- (21) Appl. No.: **29/651,897**
- (22) Filed: **Jun. 10, 2019**
- (51) **LOC (13) Cl.** **24-04**
- (52) **U.S. Cl.**
USPC **D24/190; D2/702**
- (58) **Field of Classification Search**
USPC D2/624, 627, 636, 702, 859; D24/190;
D3/224-227
CPC A41F 11/16; A41F 13/00; A41F 17/04;
A41F 9/002; A41F 9/02; A41F 9/025;
A61F 2007/0022; A61F 2007/0023; A61F
2007/0025; A61F 2007/0026; A61F
2007/0027; A61F 5/02; A61F 5/028;
A61F 5/03; A61F 7/02; B60R 2022/008
See application file for complete search history.

(56) **References Cited**
U.S. PATENT DOCUMENTS

5,318,507	A *	6/1994	Greengarg	A61F 5/028
					2/48
D375,186	S *	11/1996	Kim	D13/183
D418,948	S *	1/2000	London	D24/190
6,336,908	B1 *	1/2002	Slautterback	A41F 9/002
					2/312
D625,019	S *	10/2010	Chiang	D24/190
D633,622	S *	3/2011	Chiang	A61F 5/028
					D24/190

D881,515	S *	4/2020	Mei	A41F 9/002
					D2/702
D884,199	S *	5/2020	Mei	D24/190
D884,200	S *	5/2020	Mei	A61F 5/028
					D24/190
D893,733	S *	8/2020	Watabe	D24/190
2003/0050584	A1 *	3/2003	Toda	A61F 5/028
					602/19
2017/0303604	A1 *	10/2017	Kasabo	A41D 13/0525
2017/0354531	A1 *	12/2017	Matsuo	A41C 1/08
2019/0343673	A1 *	11/2019	Wolanske	A61F 5/028

* cited by examiner

Primary Examiner — Kevin K Rudzinski
Assistant Examiner — Clare Ann Gannon
(74) *Attorney, Agent, or Firm* — Dan DeLaRosa

(57) **CLAIM**

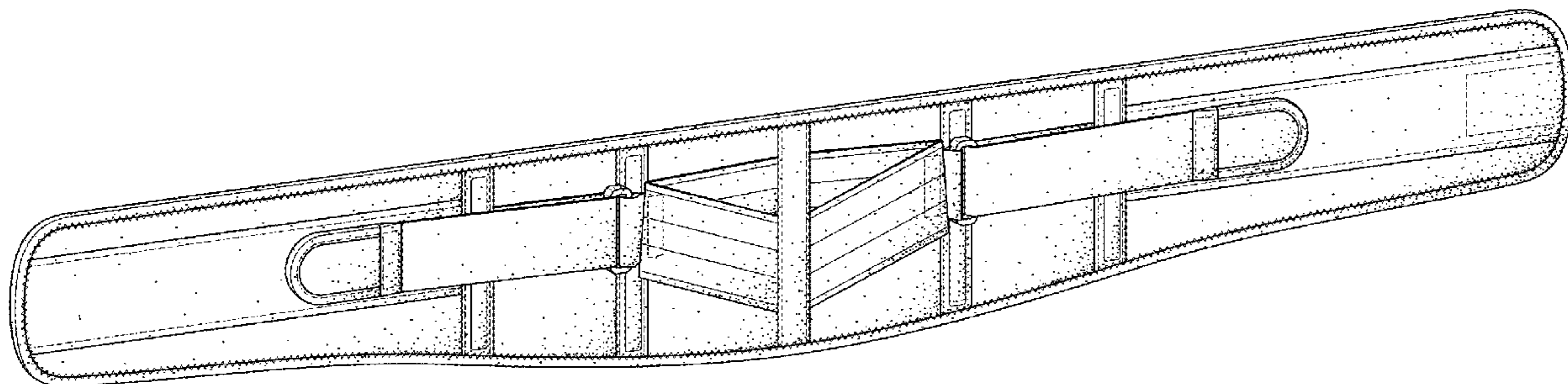
The ornamental design for a belt, as shown and described.

DESCRIPTION

FIG. 1 is front perspective view of a belt showing my new design;
 FIG. 2 is a front elevation view thereof;
 FIG. 3 is a rear elevation view thereof;
 FIG. 4 is a right side elevation view thereof;
 FIG. 5 is a left side elevation view thereof;
 FIG. 6 is a top plan view thereof;
 FIG. 7 is bottom plan view thereof; and,
 FIG. 8 is a perspective view thereof, shown positioned on a user.

The even dashed broken lines entirely surrounded by shading represent stitching that form no part of the claimed design. The remaining evenly dashed broken lines depict portions of the article that form no part of the claimed design. The dot-dashed broken lines in FIG. 8 depict environment that forms no part of the claimed design.

1 Claim, 6 Drawing Sheets



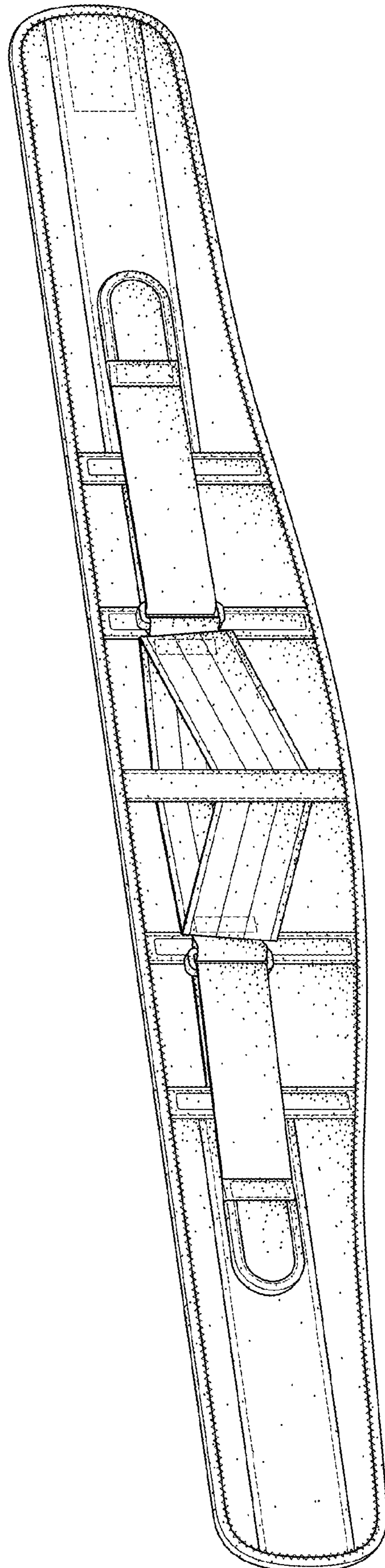


FIG. 1

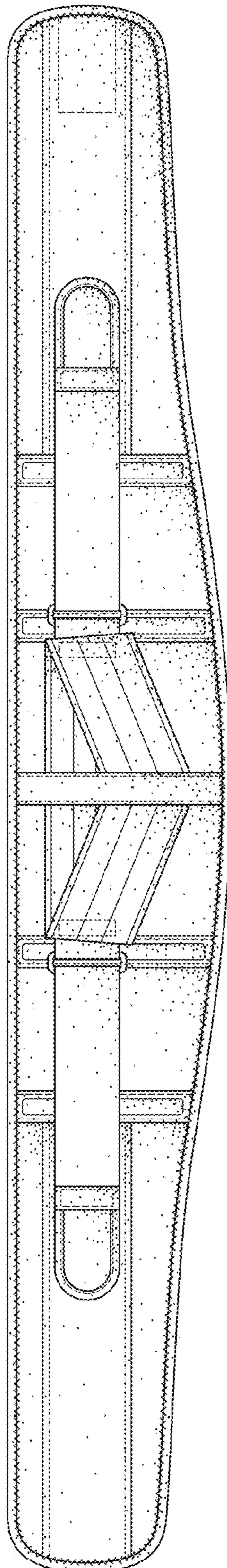


FIG. 2

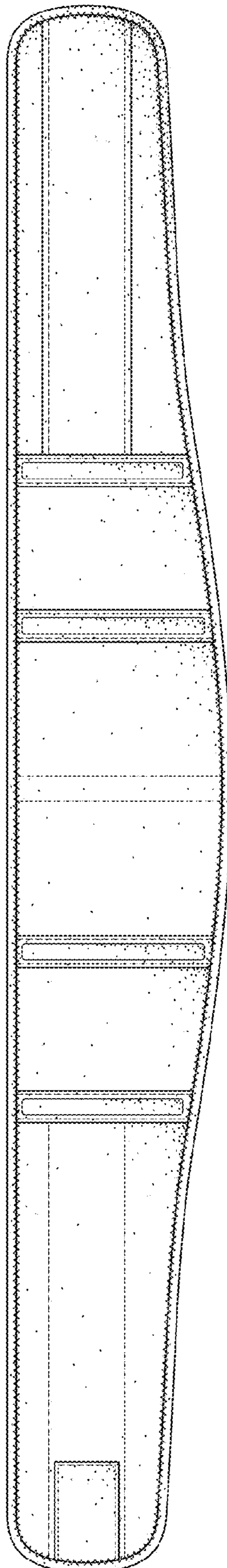


FIG. 3



FIG. 5



FIG. 4

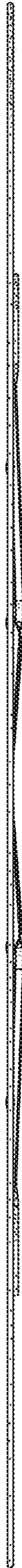


FIG. 6

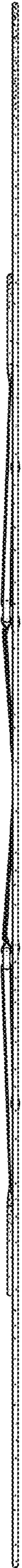


FIG. 7

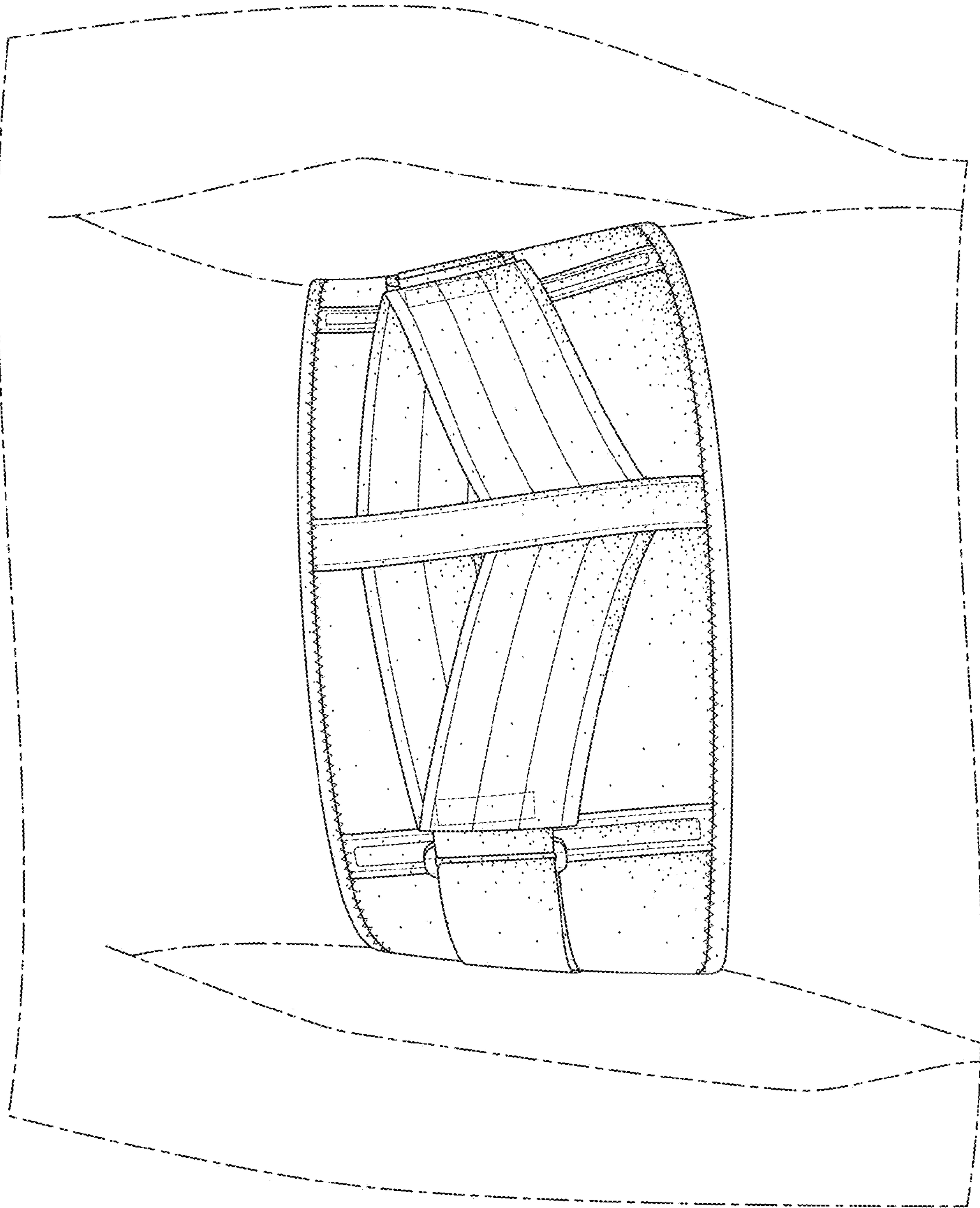


FIG. 8