



US00D914889S

(12) **United States Design Patent**  
**Langberg et al.**

(10) **Patent No.:** **US D914,889 S**

(45) **Date of Patent:** **\*\* Mar. 30, 2021**

- (54) **BELT**
- (71) Applicants: **Eric Langberg**, Milford, PA (US);  
**David Gulino**, Tuckahoe, NY (US)
- (72) Inventors: **Eric Langberg**, Milford, PA (US);  
**David Gulino**, Tuckahoe, NY (US)
- (73) Assignee: **IDVC, LLC**, Wayne, NJ (US)
- (\*\*) Term: **15 Years**
- (21) Appl. No.: **29/651,895**
- (22) Filed: **Jun. 10, 2019**
- (51) **LOC (13) Cl.** ..... **24-04**
- (52) **U.S. Cl.**  
USPC ..... **D24/190; D2/702**
- (58) **Field of Classification Search**  
USPC ..... D2/624, 627, 636, 702, 859; D24/190;  
D3/224-227  
CPC ..... A41F 11/16; A41F 13/00; A41F 17/04;  
A41F 9/002; A41F 9/02; A41F 9/025;  
A61F 2007/0022; A61F 2007/0023; A61F  
2007/0025; A61F 2007/0026; A61F  
2007/0027; A61F 5/02; A61F 5/028;  
A61F 5/03; A61F 7/02; B60R 2022/008  
See application file for complete search history.

- D881,515 S \* 4/2020 Mei ..... A41F 9/002  
D2/702
- D884,199 S \* 5/2020 Mei ..... D24/190
- D884,200 S \* 5/2020 Mei ..... A61F 5/028  
D24/190
- D893,733 S \* 8/2020 Watabe ..... D24/190
- 2003/0050584 A1\* 3/2003 Toda ..... A61F 5/028  
602/19
- 2017/0303604 A1\* 10/2017 Kasabo ..... A41D 13/0525
- 2017/0354531 A1\* 12/2017 Matsuo ..... A41C 1/08
- 2019/0343673 A1\* 11/2019 Wolanske ..... A61F 5/028

\* cited by examiner

*Primary Examiner* — Kevin K Rudzinski  
*Assistant Examiner* — Clare Ann Gannon  
(74) *Attorney, Agent, or Firm* — Dan De la Rosa

(57) **CLAIM**

The ornamental design for a belt, as shown and described.

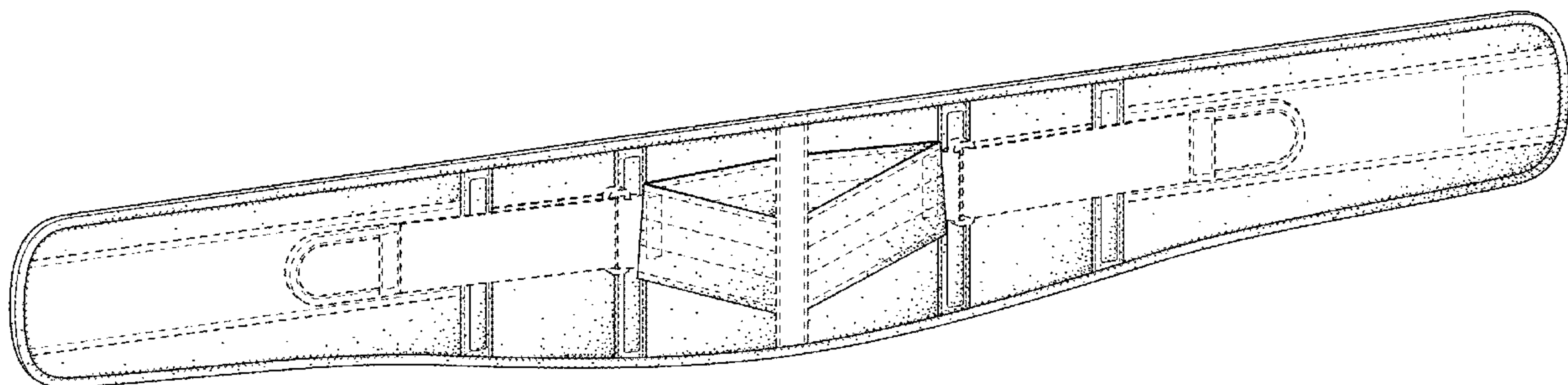
**DESCRIPTION**

FIG. 1 is front perspective view of a belt showing my new design;  
FIG. 2 is a front elevation view thereof;  
FIG. 3 is a rear elevation view thereof;  
FIG. 4 is a right side elevation view thereof;  
FIG. 5 is a left side elevation view thereof;  
FIG. 6 is a top plan view thereof;  
FIG. 7 is bottom plan view thereof; and,  
FIG. 8 is a perspective view thereof, shown positioned on a user.

The even dashed broken lines entirely surrounded by shading represent stitching that form no part of the claimed design. The remaining evenly dashed broken lines depict portions of the article that form no part of the claimed design. The dot-dashed broken lines in FIG. 8 depict environment that forms no part of the claimed design.

**1 Claim, 6 Drawing Sheets**

- (56) **References Cited**  
U.S. PATENT DOCUMENTS  
5,318,507 A \* 6/1994 Greengarg ..... A61F 5/028  
2/48  
D375,186 S \* 11/1996 Kim ..... D13/183  
D418,948 S \* 1/2000 London ..... D24/190  
6,336,908 B1 \* 1/2002 Slautterback ..... A41F 9/002  
2/312  
D625,019 S \* 10/2010 Chiang ..... D24/190  
D633,622 S \* 3/2011 Chiang ..... A61F 5/028  
D24/190



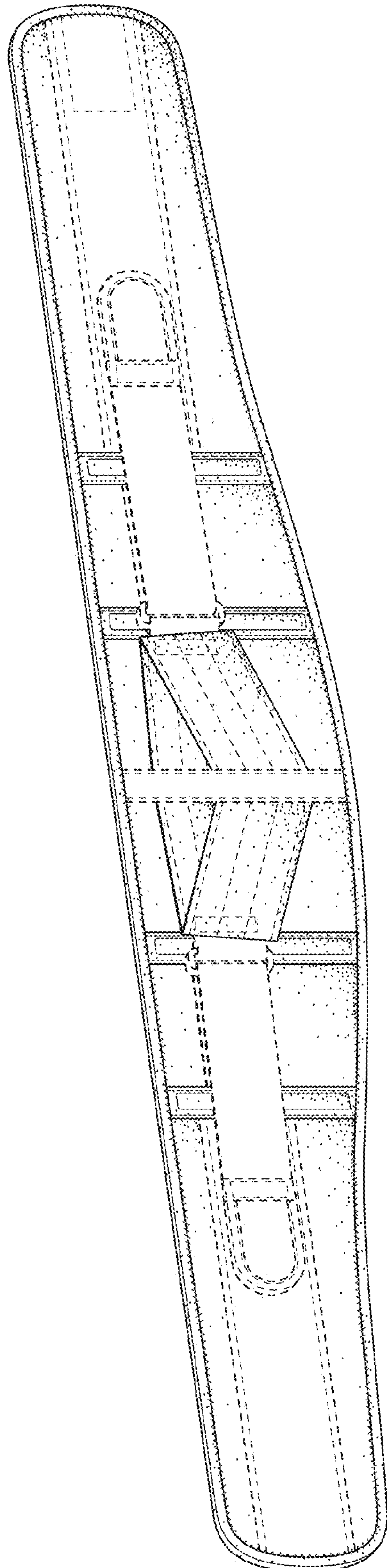


FIG. 1

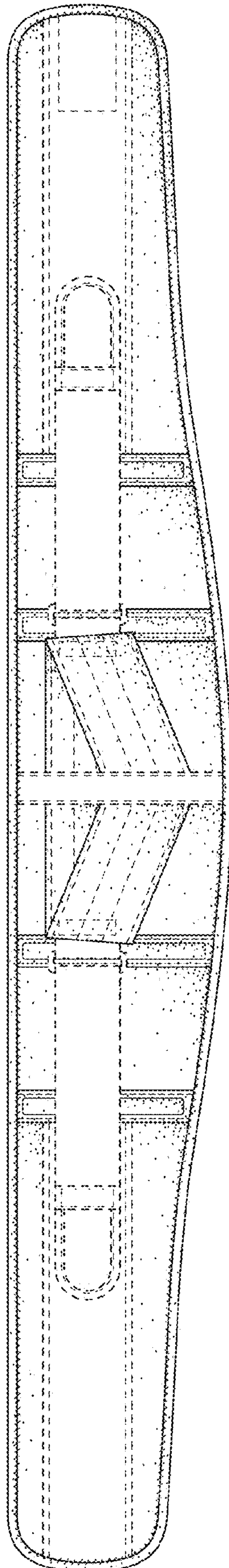


FIG. 2

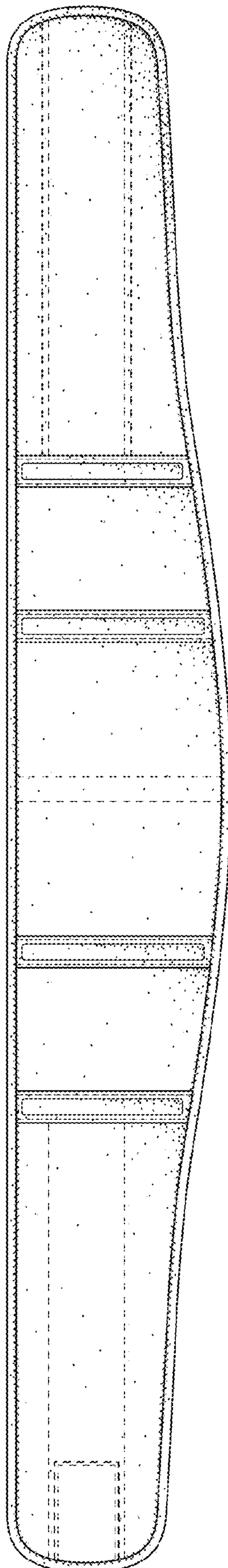


FIG. 3

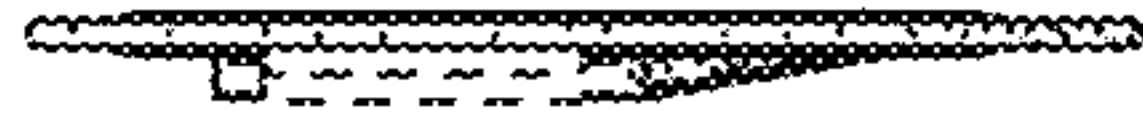


FIG. 5

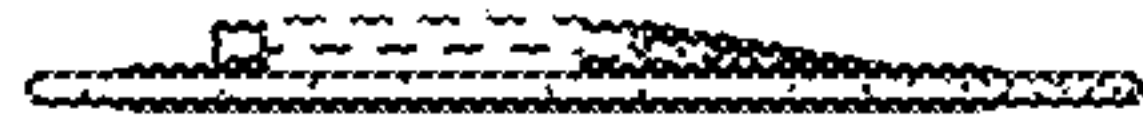


FIG. 4



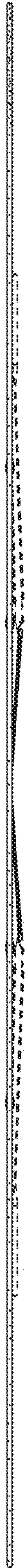


FIG. 6

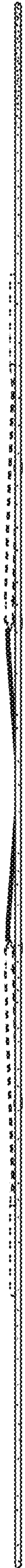


FIG. 7

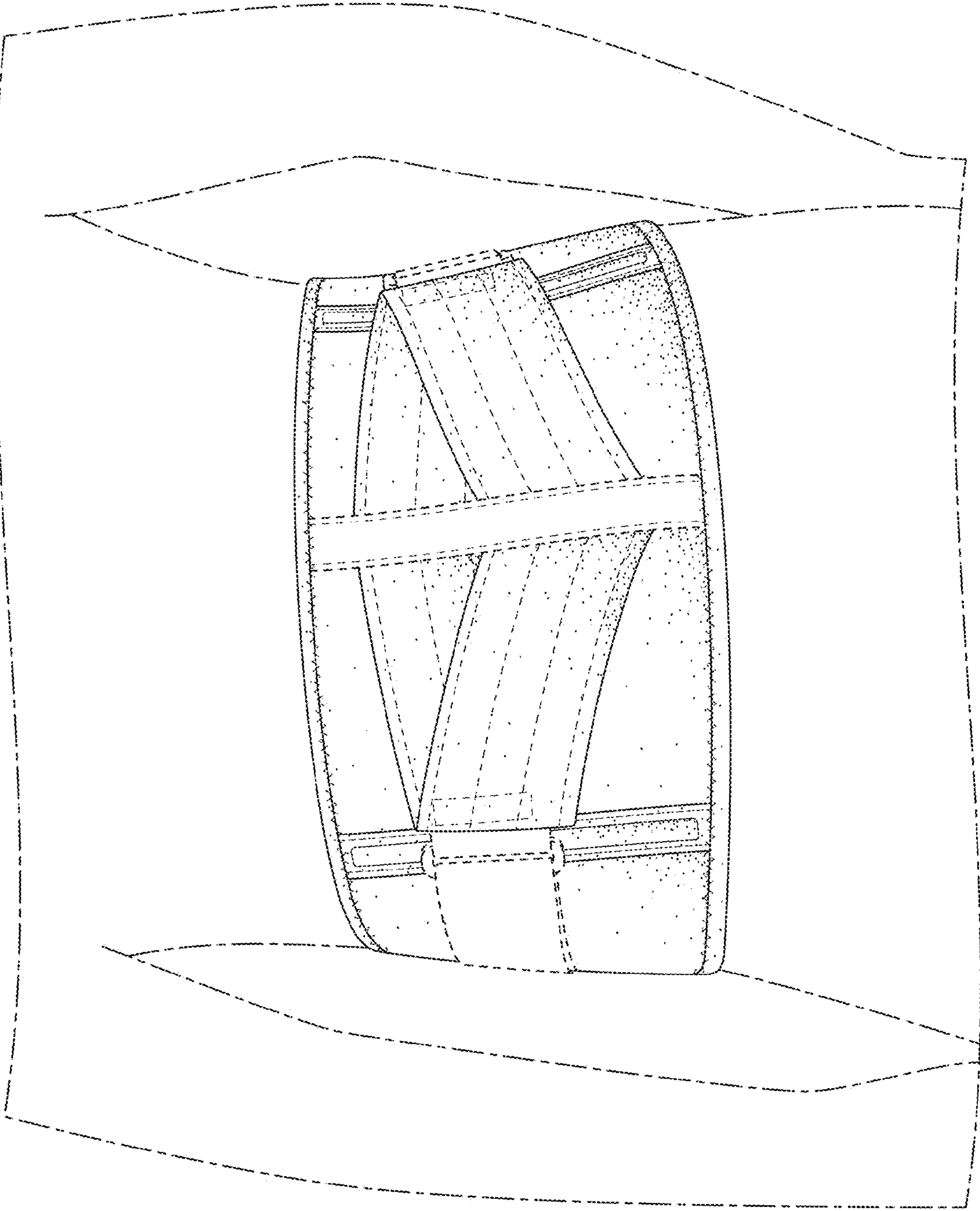


FIG. 8