



US00D914886S

(12) **United States Design Patent**  
**Zhang**

(10) **Patent No.:** **US D914,886 S**

(45) **Date of Patent:** **\*\* Mar. 30, 2021**

(54) **STAND ASSISTANCE BELT**

(71) Applicant: **Deli Zhang**, Shenzhen (CN)

(72) Inventor: **Deli Zhang**, Shenzhen (CN)

(\*\*) Term: **15 Years**

(21) Appl. No.: **29/752,507**

(22) Filed: **Sep. 28, 2020**

(30) **Foreign Application Priority Data**

Sep. 25, 2020 (EM) ..... 008182570

(51) **LOC (13) Cl.** ..... **24-01**

(52) **U.S. Cl.**  
USPC ..... **D24/188**; D29/124

(58) **Field of Classification Search**  
USPC .... D24/128, 188, 190; D29/100-101.5, 124;  
D34/28

CPC ..... A61G 2200/34; A61G 2200/36; A61G  
7/1046; A61G 7/1051; A61G 5/14; A61G  
7/1038; A63B 21/0552; A63B 21/0557;  
A63B 21/4035; A63B 21/0442; A63B  
27/00; A63B 21/4043; A63B 21/1663

See application file for complete search history.

(56) **References Cited**

**U.S. PATENT DOCUMENTS**

- D243,037 S \* 1/1977 Spiro ..... D24/190
- D251,388 S \* 3/1979 Burns ..... D24/190
- 5,123,427 A \* 6/1992 Watt ..... A61F 5/3792  
128/876
- 5,184,696 A \* 2/1993 Meed ..... A62B 35/0068  
182/133
- 5,222,991 A \* 6/1993 Bell ..... A62B 35/0068  
182/133
- 6,175,973 B1 \* 1/2001 Hakamiun ..... A61G 7/1017  
5/86.1
- 6,336,908 B1 \* 1/2002 Slautterback ..... A41F 9/002  
2/312
- D468,020 S \* 12/2002 Hoffman ..... D24/190
- D485,361 S \* 1/2004 Urban ..... D24/190

- D491,694 S \* 6/2004 Fler ..... D29/100
- D500,393 S \* 12/2004 Beacham ..... D29/100
- D553,801 S \* 10/2007 Palasini ..... D29/101.1
- D562,527 S \* 2/2008 Beck ..... D2/624
- D645,618 S \* 9/2011 Brown ..... D29/101.2
- D661,432 S \* 6/2012 LaCasse ..... D29/100
- D674,981 S \* 1/2013 Liljedahl ..... D34/28
- D806,343 S \* 12/2017 Hobbins ..... D34/28

(Continued)

**OTHER PUBLICATIONS**

Kitchen Krush Gait Belt Transfer Belt, first available on Amazon Nov. 19, 2017, available at URL: <https://www.amazon.com/Transfer-Release-Medical-Elderly-Physical/dp/B077M8SVXD>.\*

(Continued)

*Primary Examiner* — Jennifer L Watkins

(57) **CLAIM**

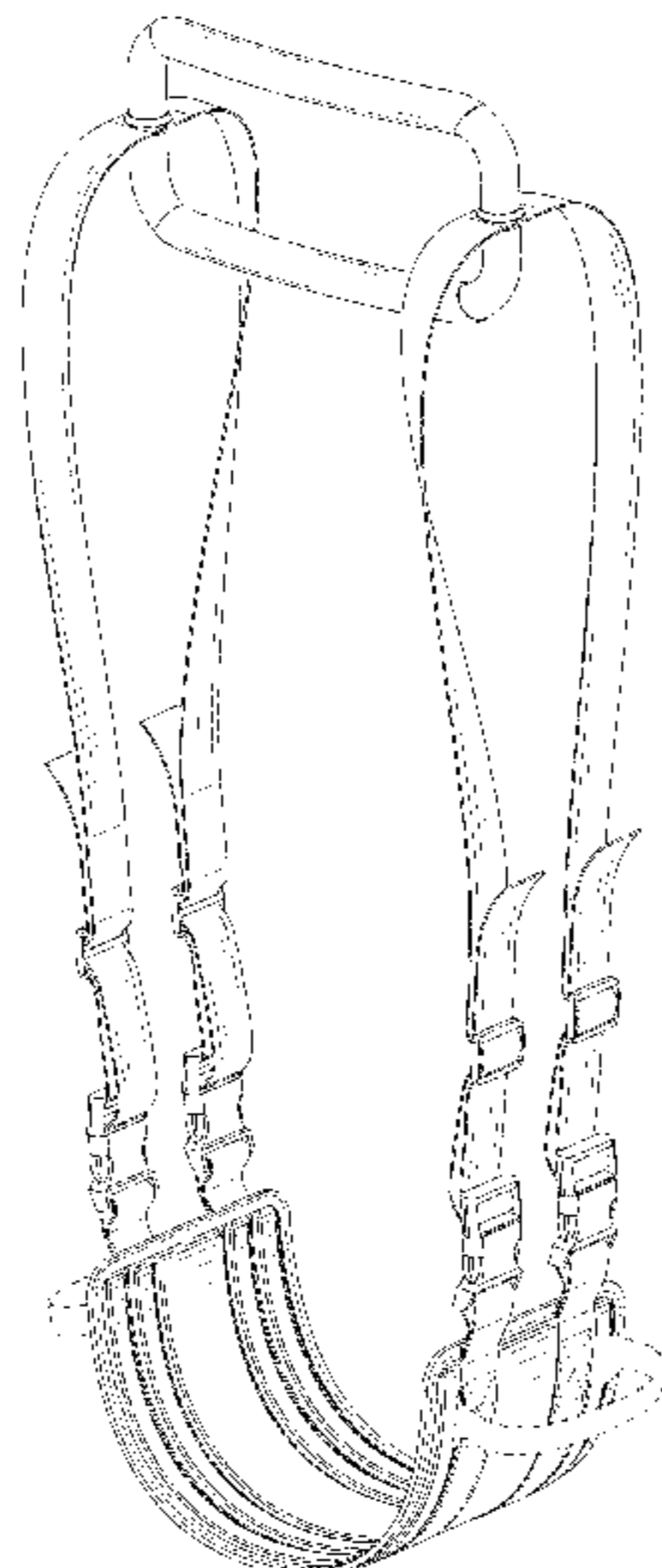
The ornamental design for a stand assistance belt, as shown and described.

**DESCRIPTION**

FIG. 1 is a perspective view of a stand assistance belt showing my new design;  
FIG. 2 is another perspective view thereof;  
FIG. 3 is a front elevational view thereof;  
FIG. 4 is a rear elevational view thereof;  
FIG. 5 is a left side elevational view thereof;  
FIG. 6 is a right side elevational view thereof;  
FIG. 7 is a top plan view thereof; and,  
FIG. 8 is a bottom plan view thereof.

The broken lines shown throughout the figures on the claimed surfaces depict stitching and form no part of the claim. The broken lines showing handles on the side of the stand assistance belt depict portions of the article and form no part of the claim.

**1 Claim, 8 Drawing Sheets**



(56)

**References Cited**

U.S. PATENT DOCUMENTS

D861,804 S \* 10/2019 Rios ..... D21/662  
D892,409 S \* 8/2020 Taylor ..... D29/101.4

OTHER PUBLICATIONS

“Wheelchair Nursing Lift Belt with Double Handles, Portable Stand Assistance Belt for Patient Elderly Waist Protection Bed Transfer Moving Belt”, Retrieved Sep. 28, 2020]. Retrieved from Internet, <https://www.amazon.co.uk/Wheelchair-Portable-Assistance-Protection-Transfer/dp/B085C5TLJ2/ref>.

“Stand Assistance Belt, Transfer Standing Sling, Padded Patient Lift Sling Stand Assist Sling, Quicker Easier Safer Transfers”, Retrieved Sep. 28, 2020]. Retrieved from Internet, <https://www.amazon.co.uk/Assistance-Transfer-Standing-Patient-Transfers/dp/B08F7C1X91/ref>.

\* cited by examiner

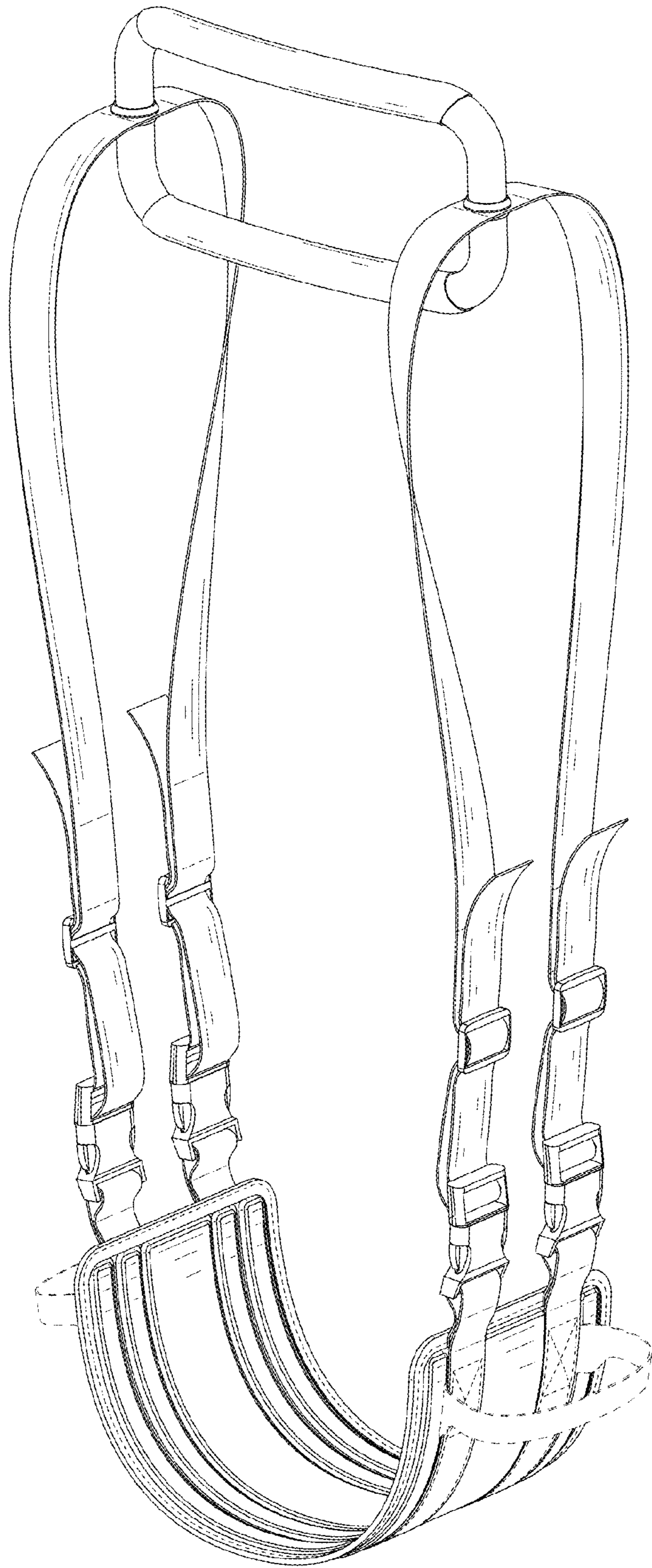


FIG. 1

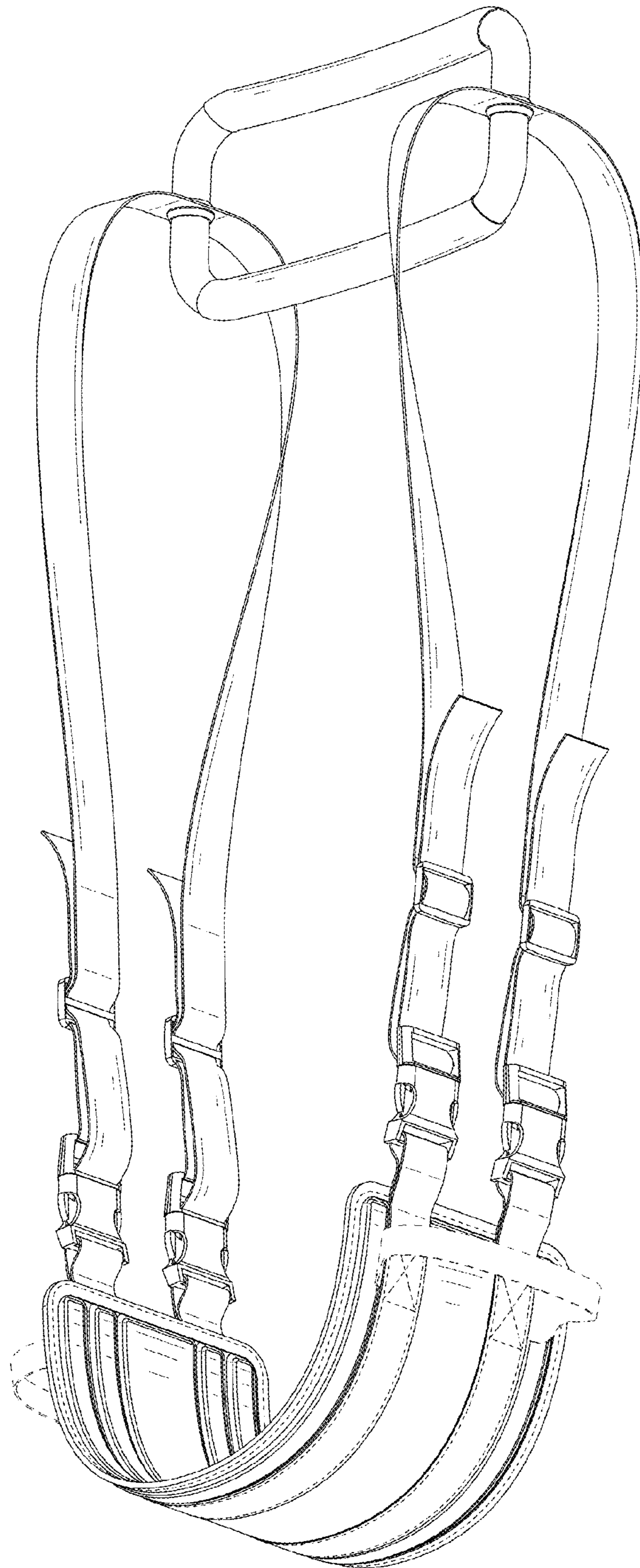


FIG. 2

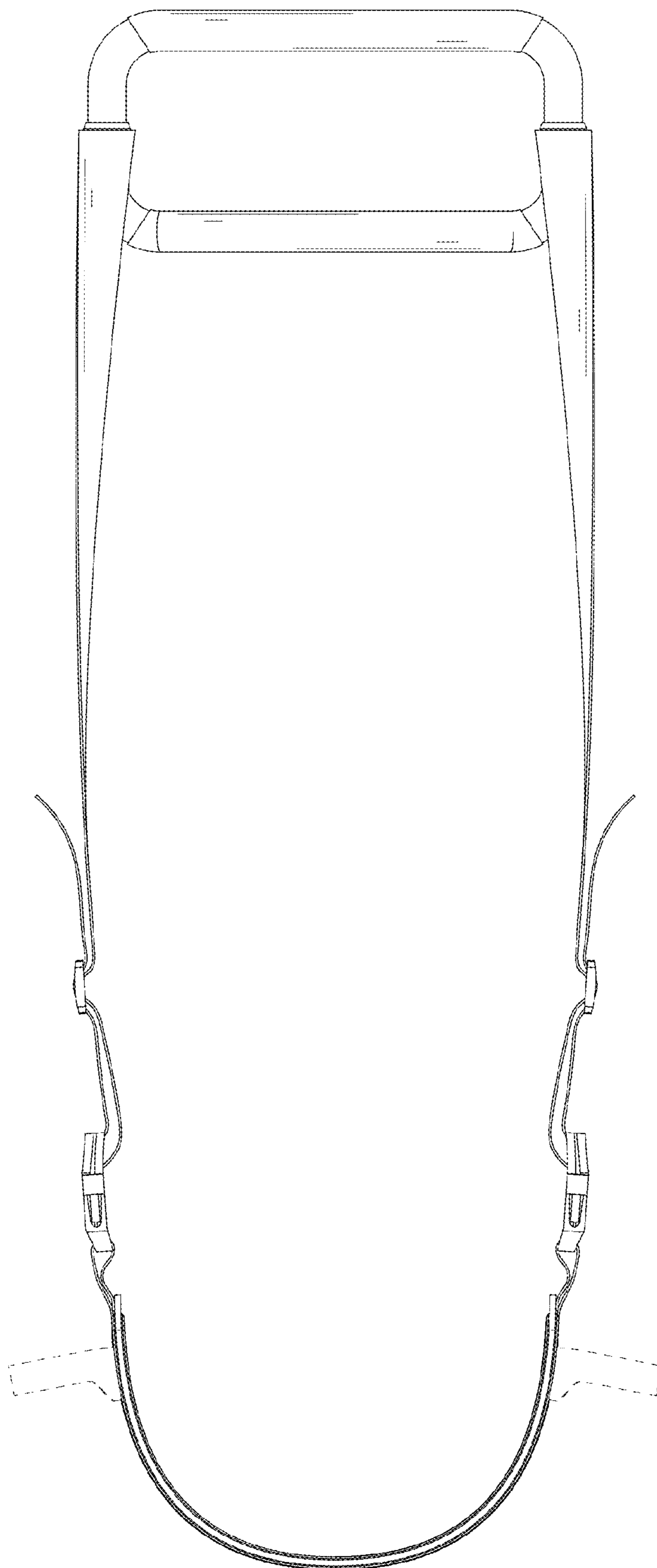


FIG. 3

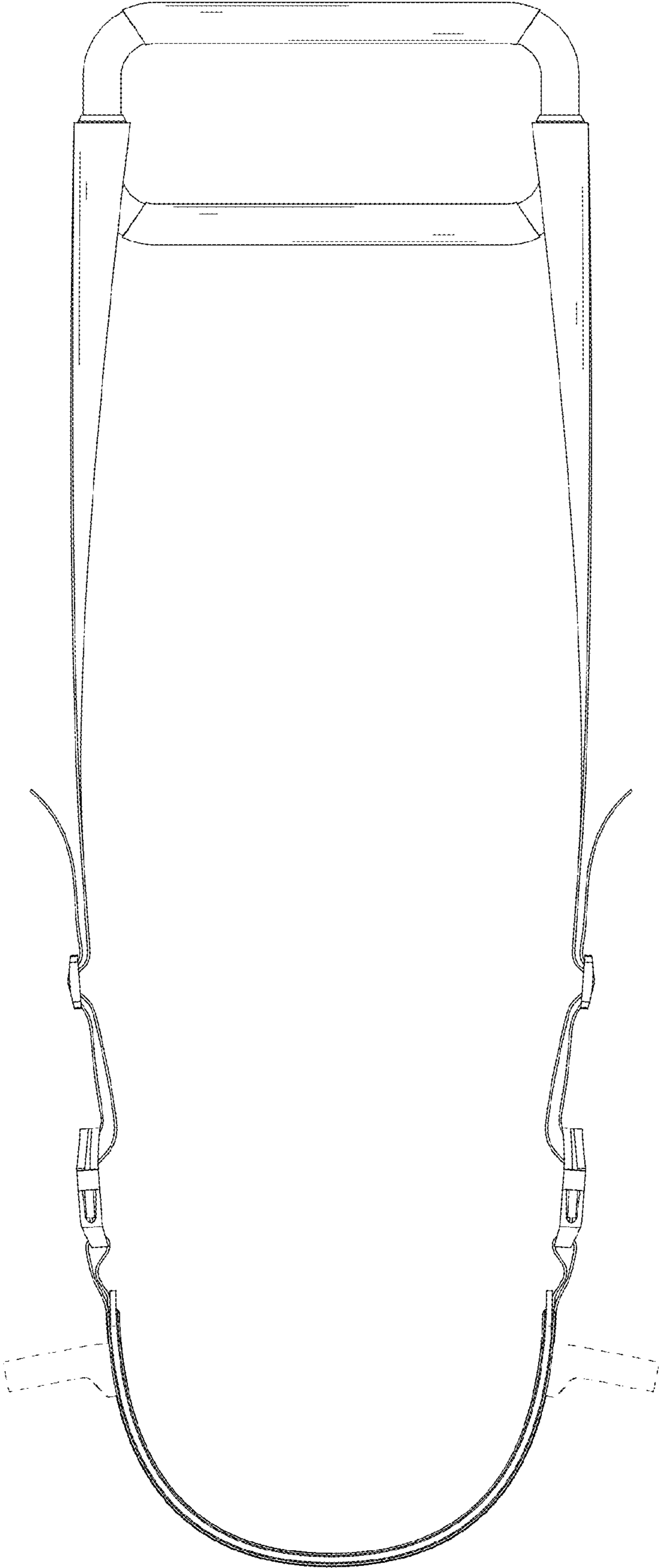


FIG. 4

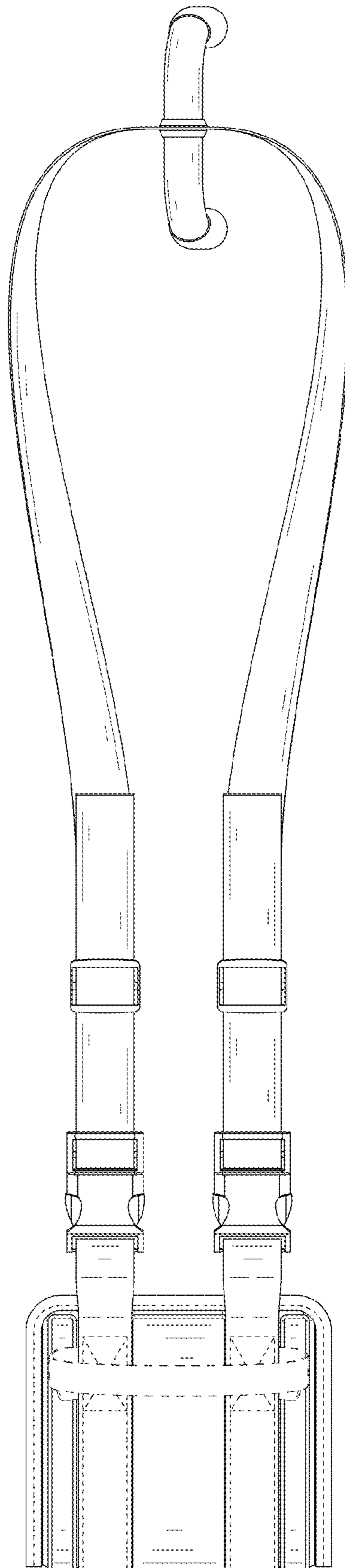


FIG. 5

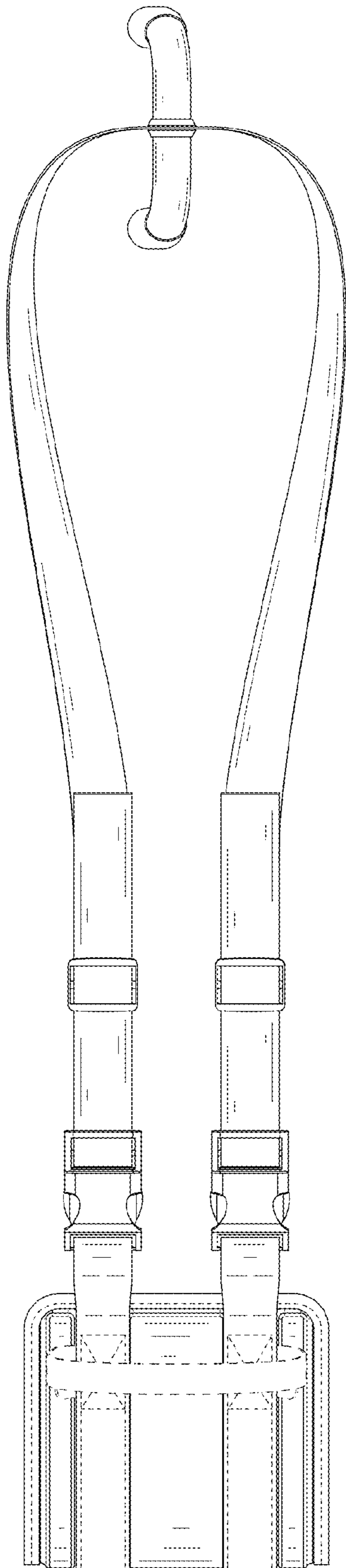


FIG. 6



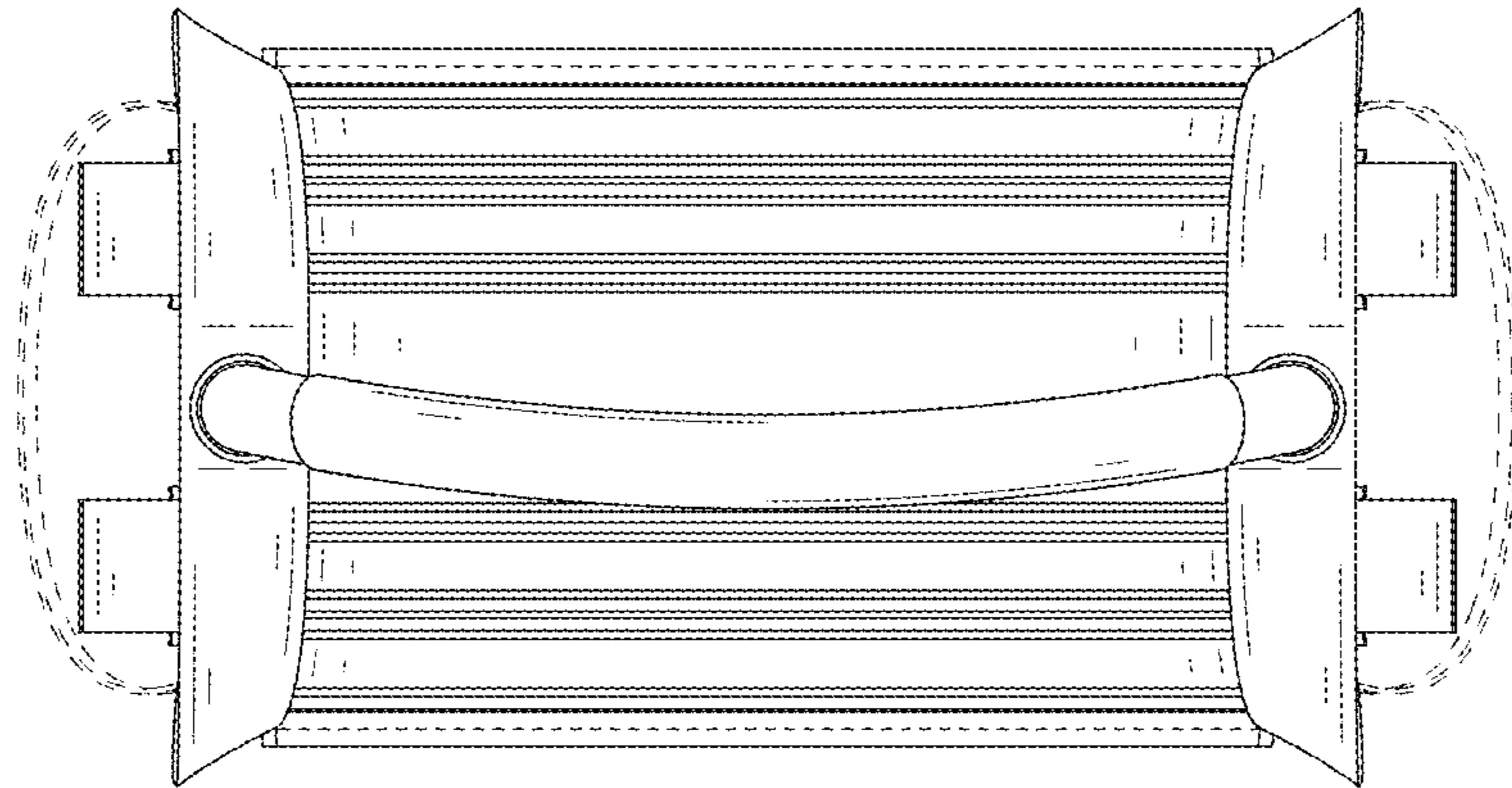


FIG. 7

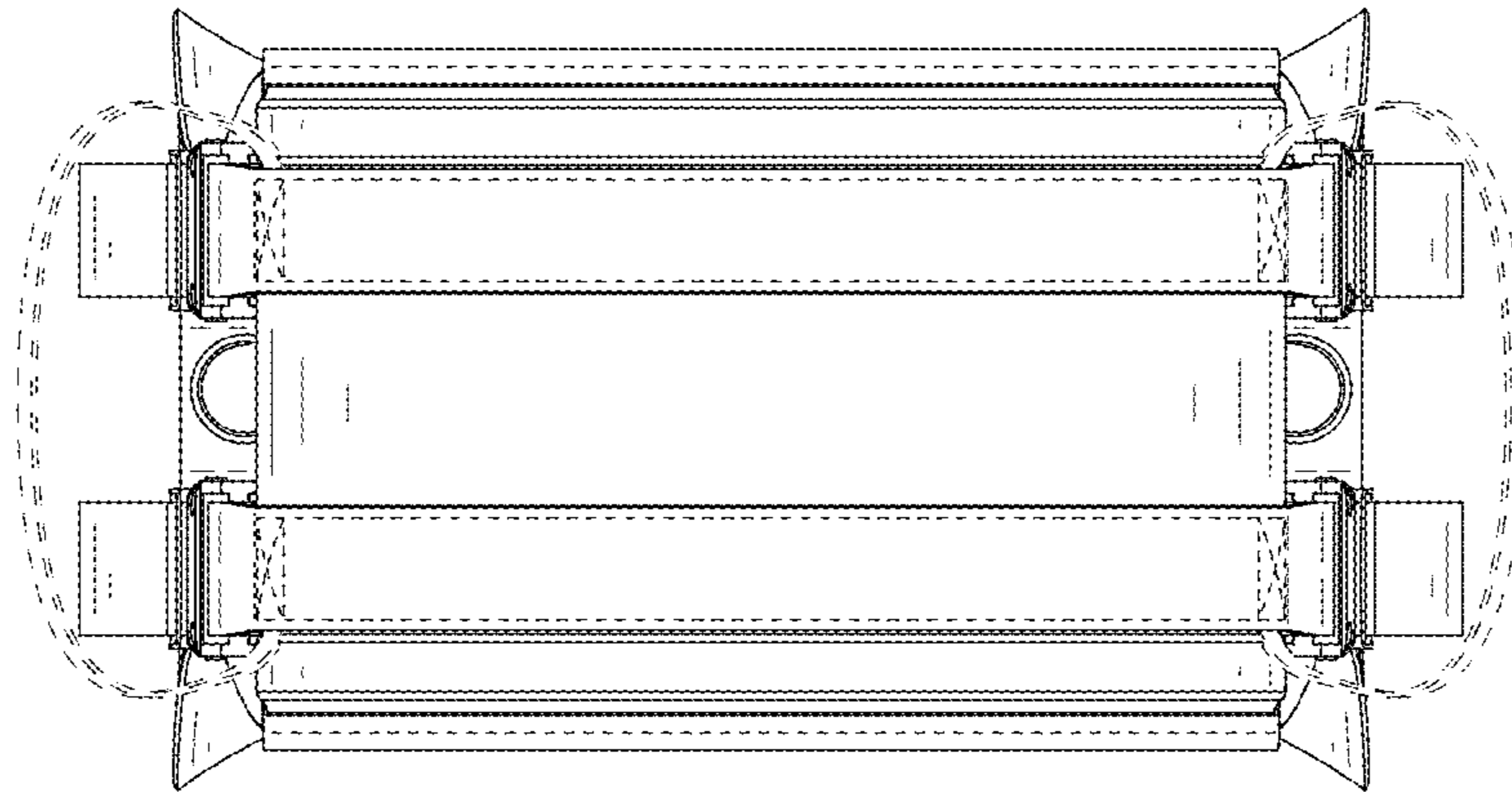


FIG. 8