



US00D914884S

(12) **United States Design Patent**
Glassett et al.

(10) **Patent No.:** **US D914,884 S**
(45) **Date of Patent:** **** Mar. 30, 2021**

(54) **ELECTROSURGICAL GENERATOR**

(71) Applicant: **Megadyne Medical Products, Inc.**,
Draper, UT (US)

(72) Inventors: **Mark D. Glassett**, Sandy, UT (US);
Chad S. Frampton, American Fork,
UT (US); **Steven D. Andrews**, West
Jordan, UT (US)

(73) Assignee: **Megadyne Medical Products, Inc.**,
Draper, UT (US)

(**) Term: **15 Years**

(21) Appl. No.: **29/685,868**

(22) Filed: **Apr. 1, 2019**

(51) **LOC (13) Cl.** **24-02**

(52) **U.S. Cl.**
USPC **D24/170**

(58) **Field of Classification Search**
USPC D24/144, 170, 185, 167, 138; D13/112;
606/32, 34-36, 40, 42, 46, 48-49
CPC . A61B 18/1206; A61B 18/14; A61B 18/1402;
A61B 15/082
See application file for complete search history.

(56) **References Cited**

U.S. PATENT DOCUMENTS

D310,120 S *	8/1990	Wickham	D24/186
D396,108 S *	7/1998	Garito	D24/144
6,273,886 B1 *	8/2001	Edwards	A61B 18/1206 606/34
D477,408 S *	7/2003	Bromley	D24/170
D491,666 S *	6/2004	Kimmell	D24/170
6,977,495 B2 *	12/2005	Donofrio	H01H 9/04 606/42
7,131,860 B2 *	11/2006	Sartor	A61B 18/1206 439/489
D535,745 S *	1/2007	Hayamizu	D24/144

D552,241 S *	10/2007	Bromley	D24/170
7,317,954 B2 *	1/2008	McGreevy	A61B 18/1206 378/168
7,540,871 B2 *	6/2009	Gonnering	A61B 18/14 439/638
7,655,003 B2 *	2/2010	Lorang	A61B 18/1206 606/32
D687,146 S *	7/2013	Juzkiw	D24/170
D704,839 S *	5/2014	Juzkiw	D24/170
9,566,108 B2 *	2/2017	Brustad	A61B 18/1206
2005/0113818 A1 *	5/2005	Sartor	A61B 18/1206 606/34
2007/0032789 A1 *	2/2007	Gonnering	A61B 18/14 606/42
2018/0368905 A1 *	12/2018	Latterell	A61B 18/1206

* cited by examiner

Primary Examiner — Wan Laymon

(74) *Attorney, Agent, or Firm* — Workman Nydegger

(57) **CLAIM**

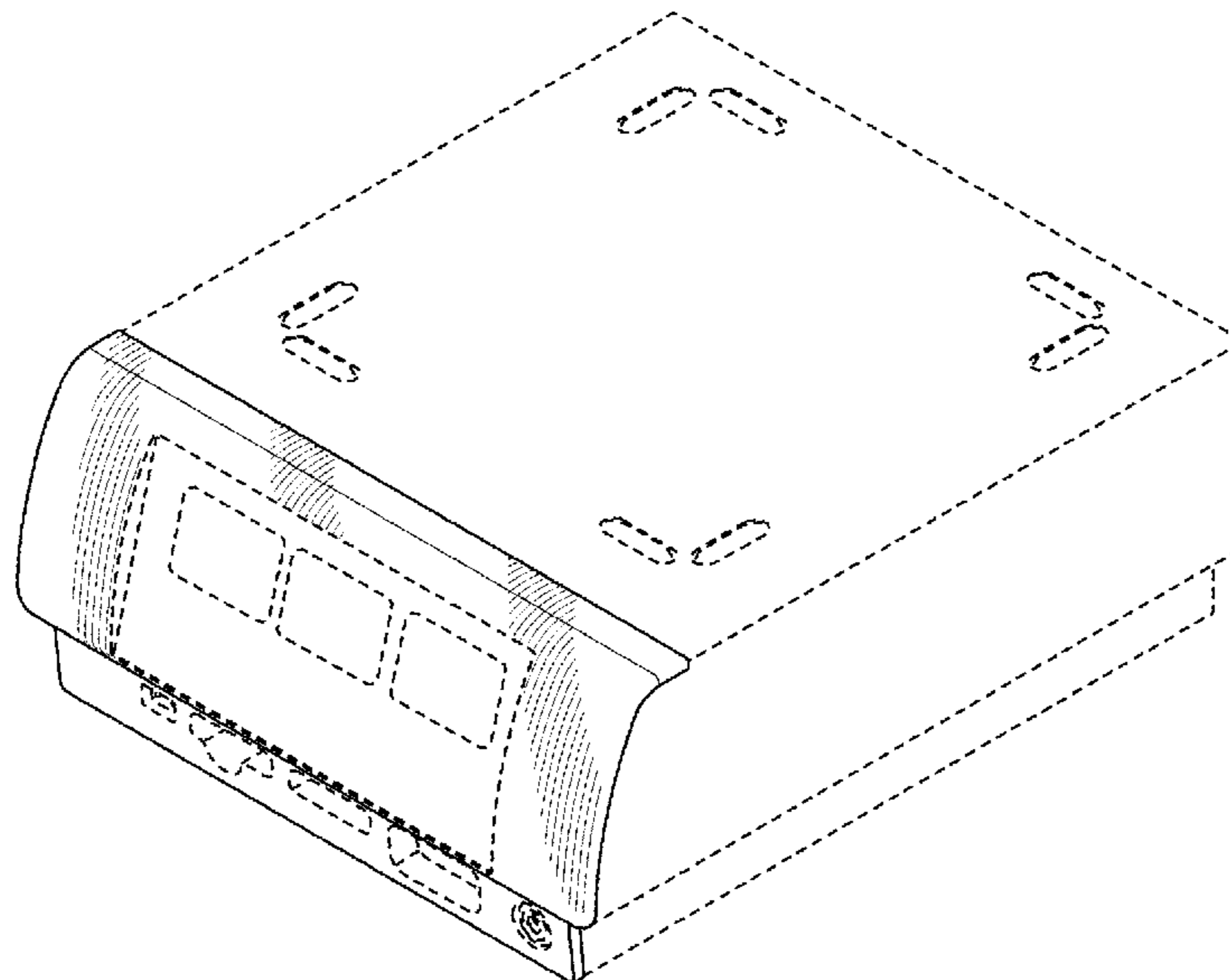
The ornamental design for an electrosurgical generator, as shown and described.

DESCRIPTION

FIG. 1 is a front perspective view of an electrosurgical generator showing the new design;
FIG. 2 is a front elevational view of the electrosurgical generator;
FIG. 3 is a back elevational view of the electrosurgical generator;
FIG. 4 is a top plan view of the electrosurgical generator;
FIG. 5 is a bottom plan view of the electrosurgical generator;
FIG. 6 is a right side elevational view of the electrosurgical generator; and,
FIG. 7 is a left side elevational view of the electrosurgical generator.

The broken lines shown in the Figures are included for the purposes of illustrating portions of the electrosurgical generator and form no part of the claimed design.

1 Claim, 4 Drawing Sheets



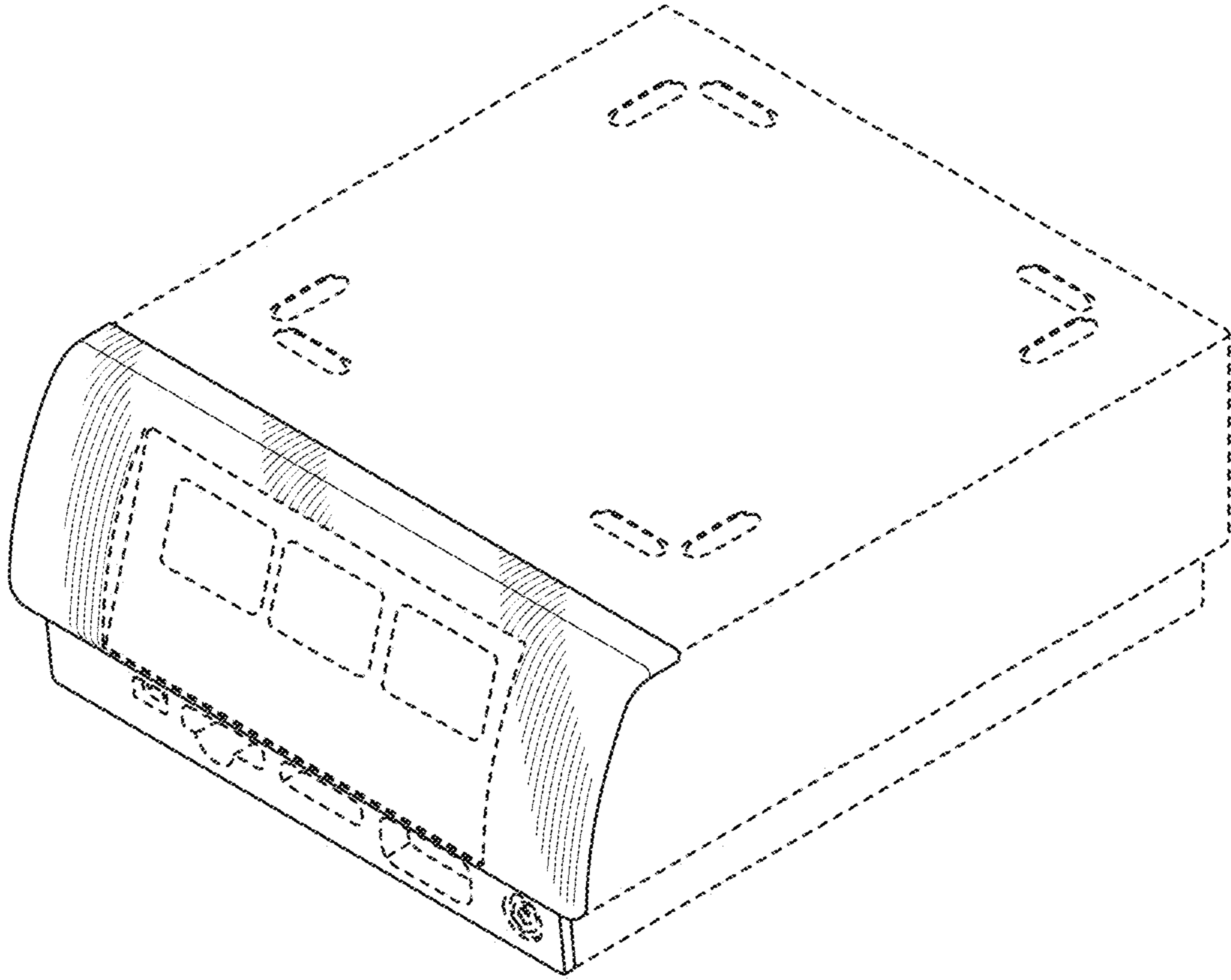


FIG. 1

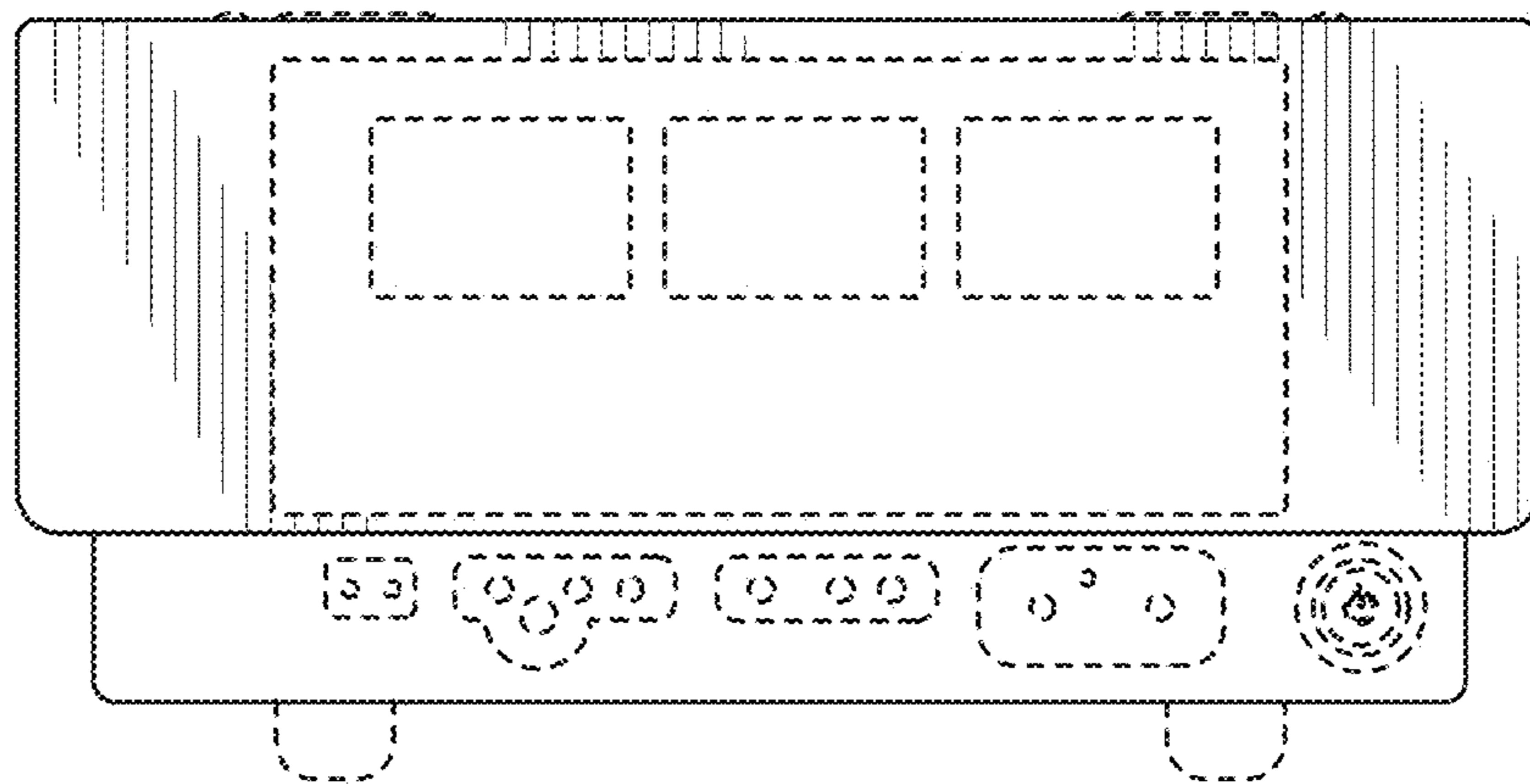


FIG. 2

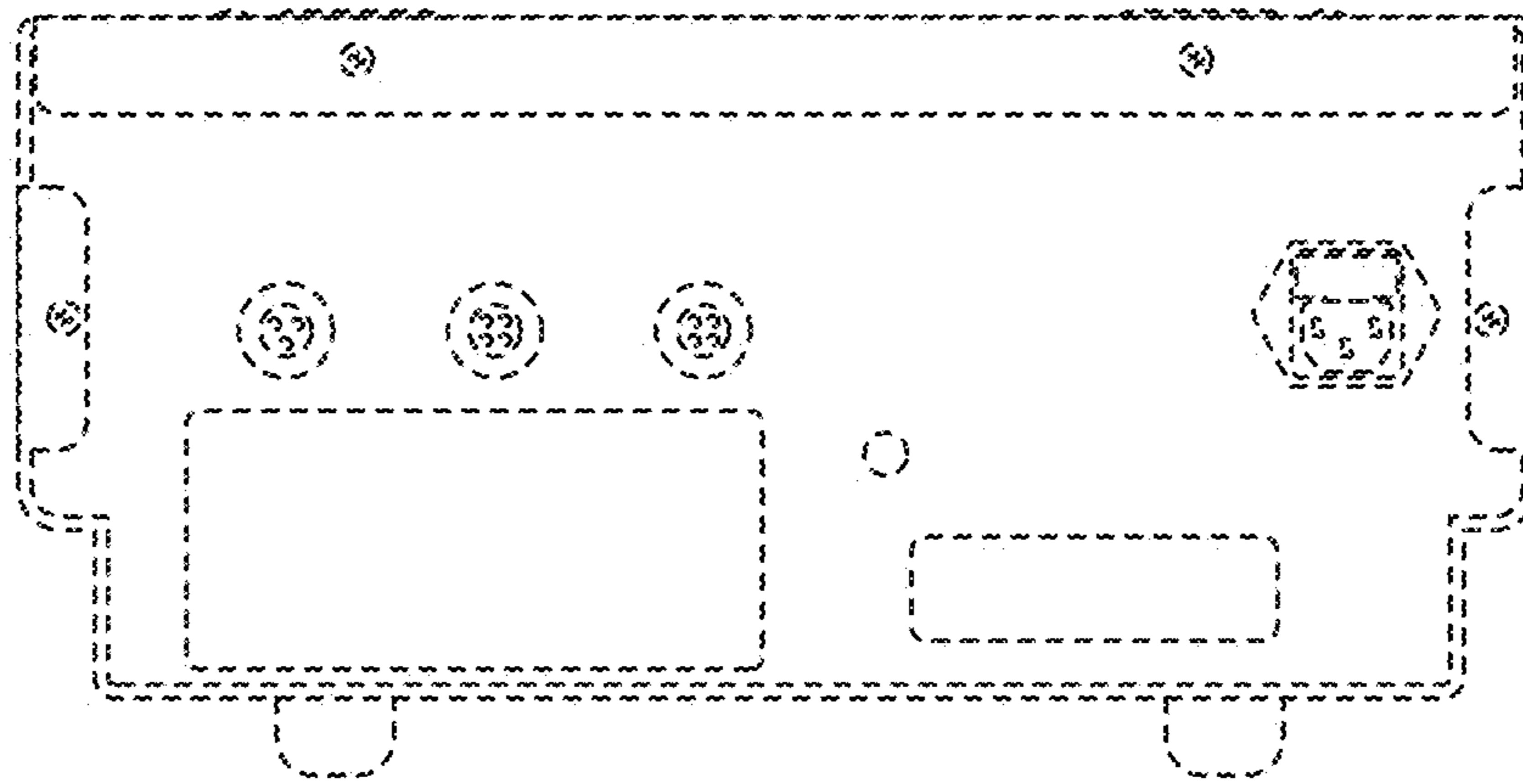


FIG. 3

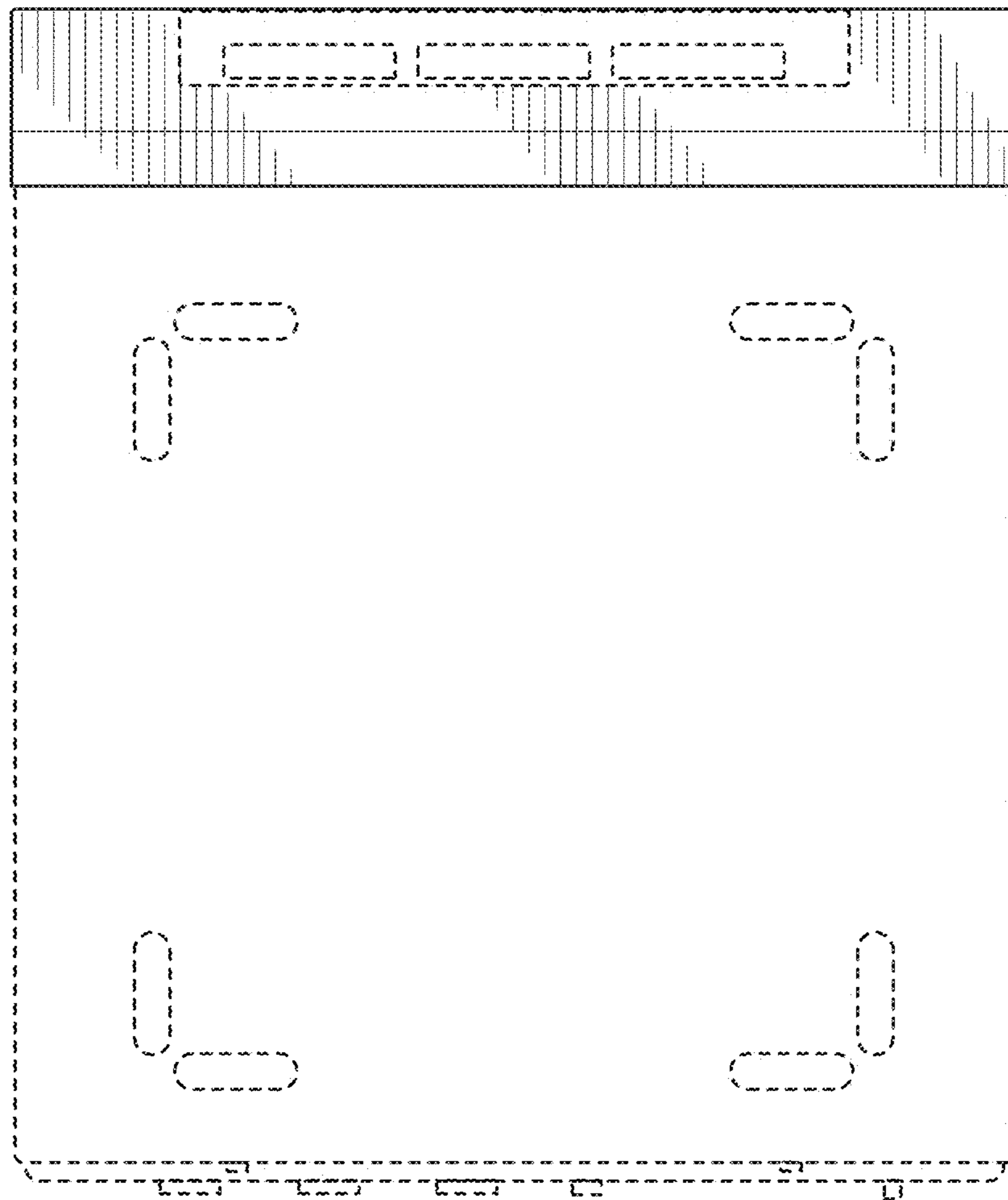


FIG. 4

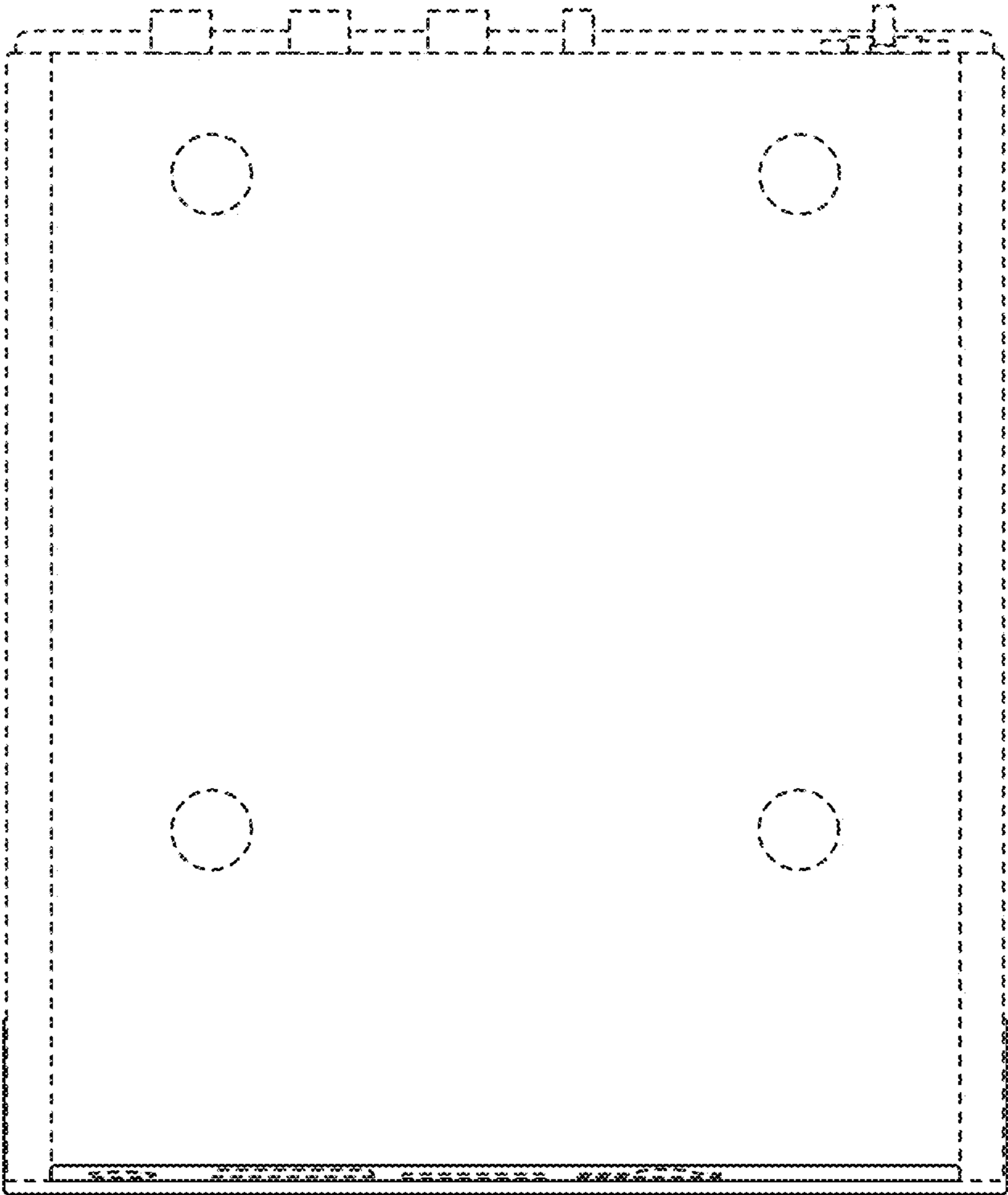


FIG. 5

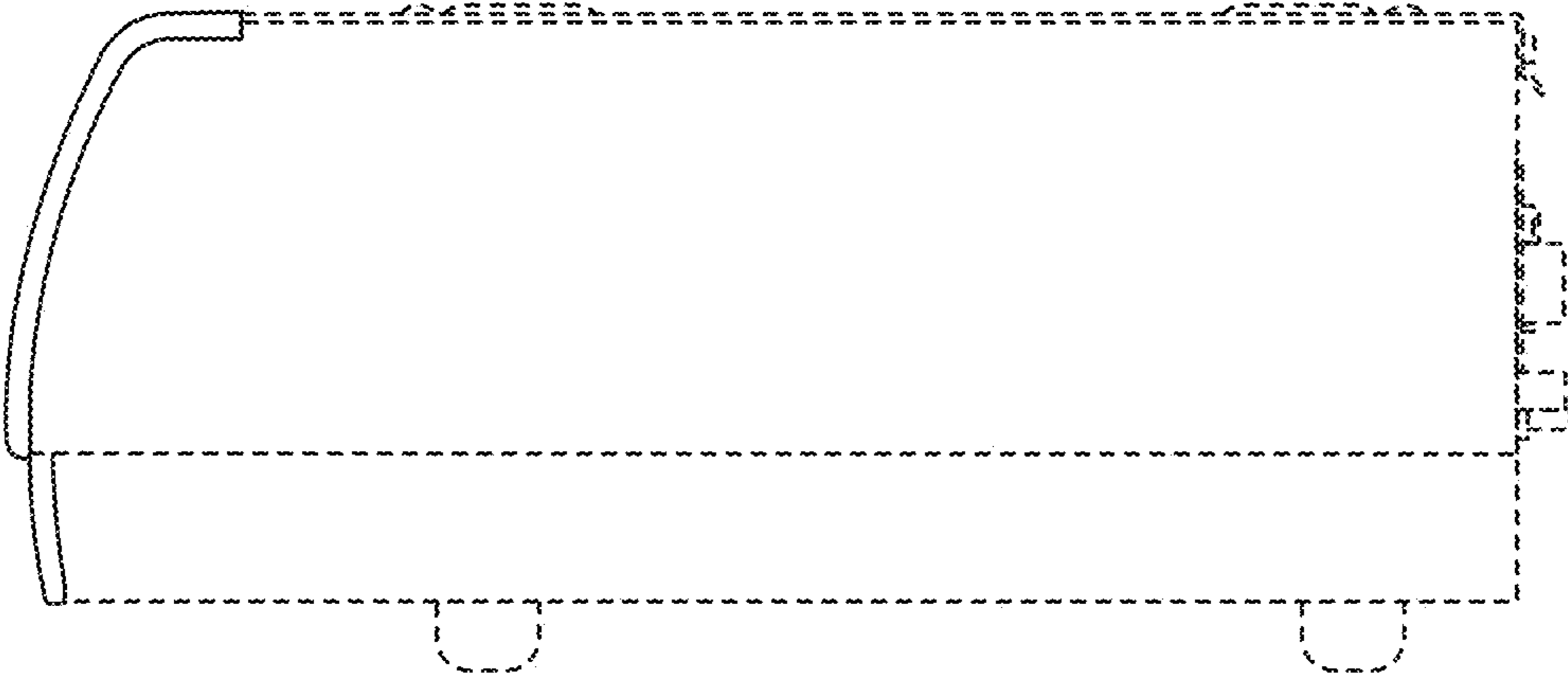


FIG. 6

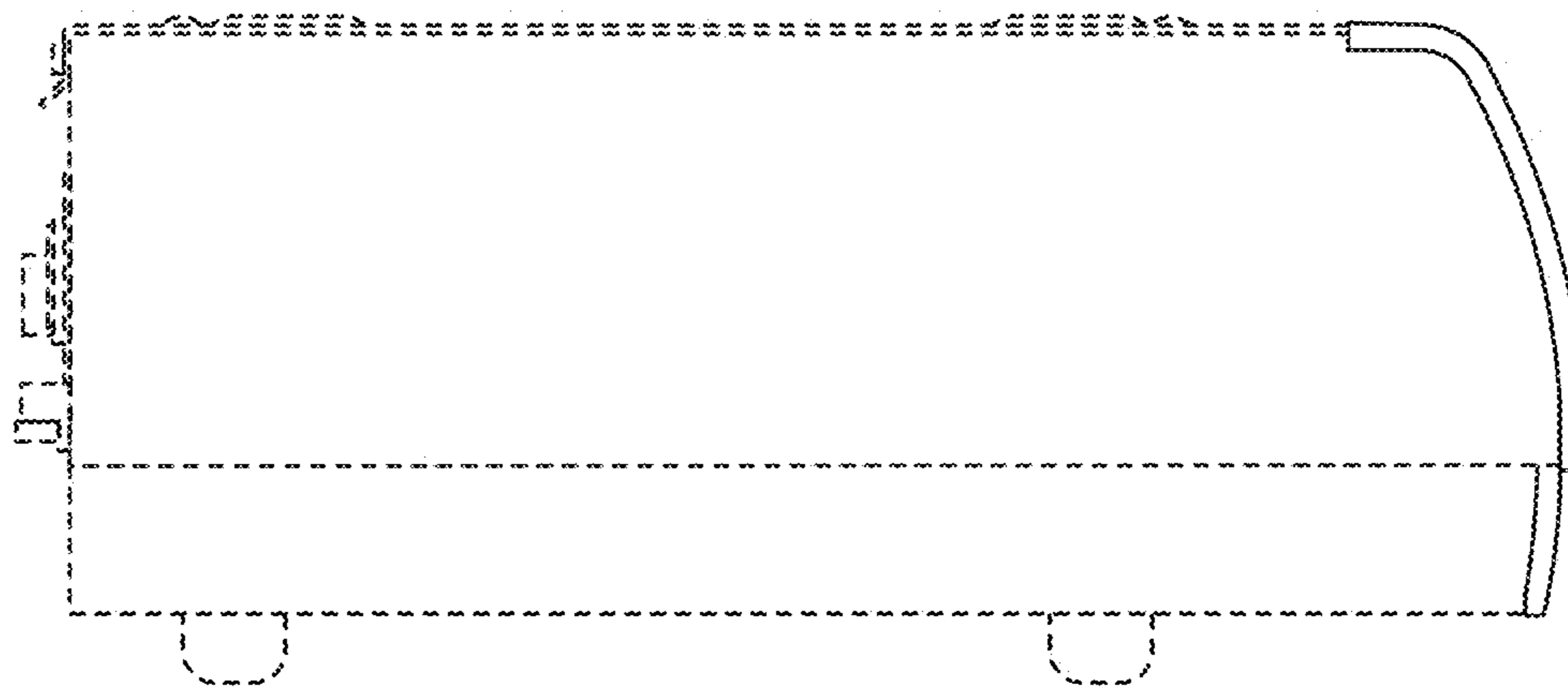


FIG. 7