



US00D914877S

(12) **United States Design Patent**
Singh et al.

(10) **Patent No.:** **US D914,877 S**

(45) **Date of Patent:** **** Mar. 30, 2021**

(54) **THERMAL ABLATION DEVICE**

(71) Applicant: **MedGyn Products, Inc.**, Addison, IL (US)

(72) Inventors: **Aarathi A. Singh**, Hinsdale, IL (US);
Amar L. Agadi, Oak Brook, IL (US);
Gene Spahija, Northfield, IL (US); **Je Ho Lee**, Northbrook, IL (US);
Hsin-Yun Yeh, Oak Park, IL (US);
Mihira Abubakr Hamad, Chicago, IL (US)

(73) Assignee: **MedGyn Products, Inc.**, Addison, IL (US)

(**) Term: **15 Years**

(21) Appl. No.: **29/736,456**

(22) Filed: **May 30, 2020**

(51) **LOC (13) Cl.** **24-02**

(52) **U.S. Cl.**
USPC **D24/144**

(58) **Field of Classification Search**
USPC D24/144, 146-147, 170, 200; 606/27-28,
606/31

(Continued)

(56) **References Cited**

U.S. PATENT DOCUMENTS

6,443,947 B1 * 9/2002 Marko A61B 18/08
606/28

D690,420 S * 9/2013 Chinowsky D24/144
(Continued)

OTHER PUBLICATIONS

MEDGYN MTA-100 Thermal Ablation System. Retrieved on Sep. 1, 2020. Retrieved from the Internet: <URL:https://www.medgyn.com/product/medgyn-mta-100-thermal-ablation-system/>.*

Primary Examiner — Wan Laymon

(74) *Attorney, Agent, or Firm* — Brie A. Crawford;
Crawford Intellectual Property Law LLC

(57) **CLAIM**

The ornamental design for a thermal ablation device, as shown and described.

DESCRIPTION

FIG. 1 depicts a top, front, right perspective view of a first embodiment of the thermal ablation device showing my new design;

FIG. 2 depicts a front elevational view of the thermal ablation device based on FIG. 1;

FIG. 3 depicts a rear elevational view of the thermal ablation device based on FIG. 1 and the reverse view of FIG. 2;

FIG. 4 depicts a top plan view of the thermal ablation device based on FIG. 1;

FIG. 5 depicts a bottom plan view of the thermal ablation device based on FIG. 1 and the reverse view of FIG. 4;

FIG. 6 depicts a left elevational view of the thermal ablation device based on FIG. 1;

FIG. 7 depicts a right elevational view of the thermal ablation device based on FIG. 1 and the reverse view of FIG. 6;

FIG. 8 depicts a top, front, right perspective view of a second embodiment of the thermal ablation device showing my new design;

FIG. 9 depicts a front elevational view of the thermal ablation device based on FIG. 8;

FIG. 10 depicts a rear elevational view of the thermal ablation device based on FIG. 8 and the reverse view of FIG. 9;

FIG. 11 depicts a top plan view of the thermal ablation device based on FIG. 8;

FIG. 12 depicts a bottom plan view of the thermal ablation device based on FIG. 8 and the reverse view of FIG. 11;

FIG. 13 depicts a left elevational view of the thermal ablation device based on FIG. 8;

FIG. 14 depicts a right elevational view of the thermal ablation device based on FIG. 8 and the reverse view of FIG. 13;

(Continued)

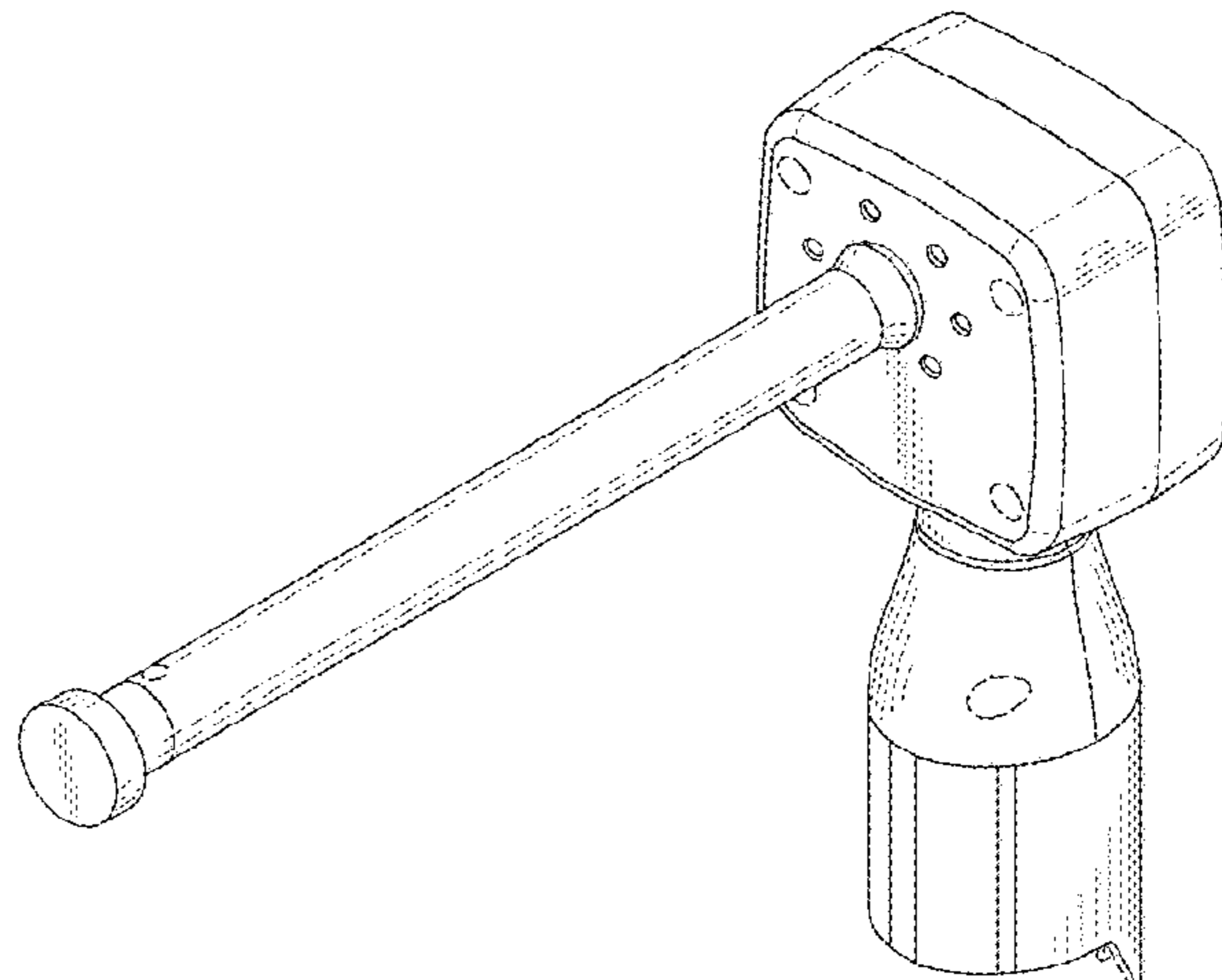
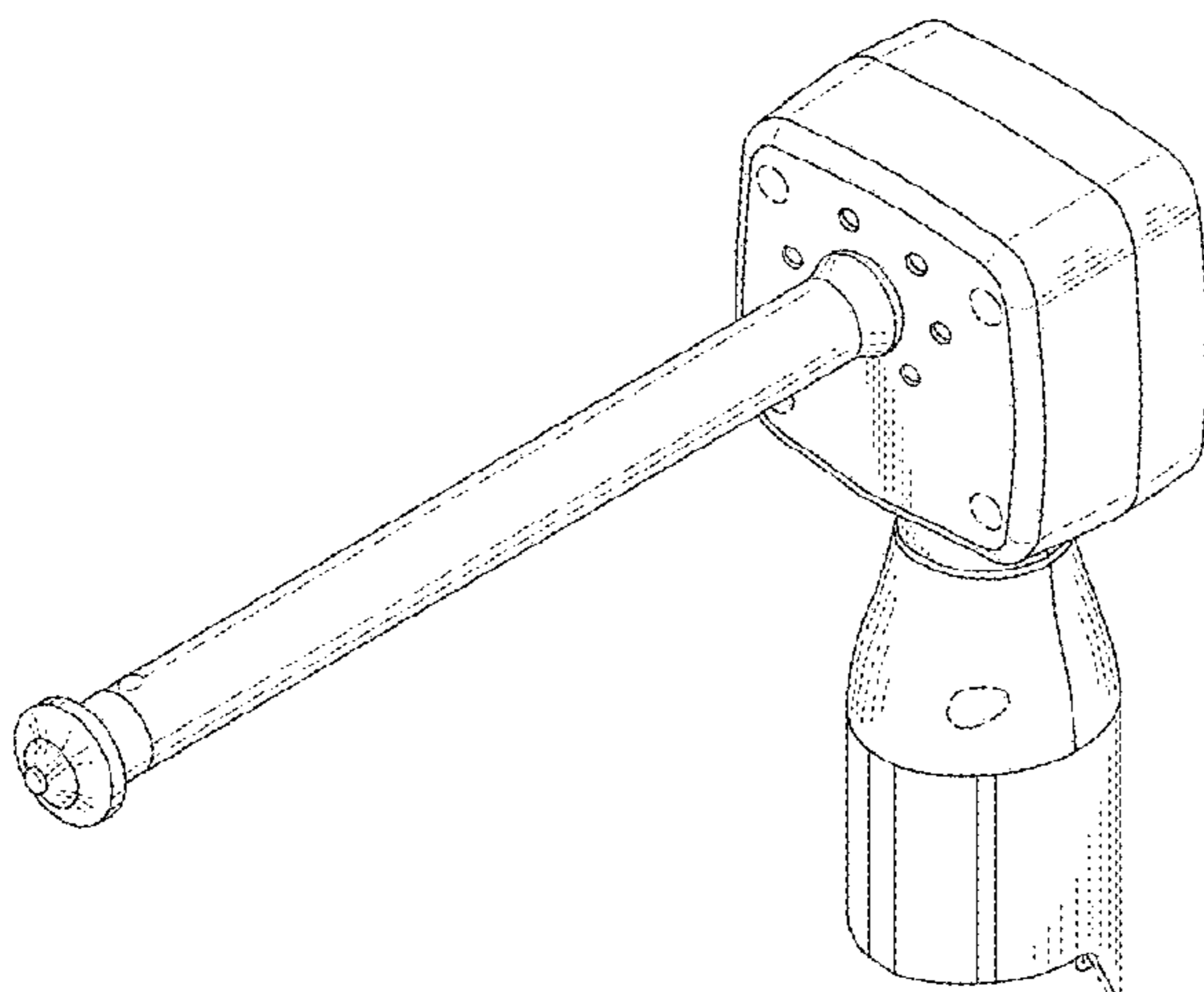


FIG. 15 depicts a top, front, right perspective view of a third embodiment of the thermal ablation device showing my new design;

FIG. 16 depicts a front elevational view of the thermal ablation device based on FIG. 15;

FIG. 17 depicts a rear elevational view of the thermal ablation device based on FIG. 15 and the reverse view of FIG. 16;

FIG. 18 depicts a top plan view of the thermal ablation device based on FIG. 15;

FIG. 19 depicts a bottom plan view of the thermal ablation device based on FIG. 15 and the reverse view of FIG. 18;

FIG. 20 depicts a left elevational view of the thermal ablation device based on FIG. 15;

FIG. 21 depicts a right elevational view of the thermal ablation device based on FIG. 15 and the reverse view of FIG. 20;

FIG. 22 depicts a top, front, right perspective view of a fourth embodiment of the thermal ablation device showing my new design;

FIG. 23 depicts a front elevational view of the thermal ablation device based on FIG. 22;

FIG. 24 depicts a rear elevational view of the thermal ablation device based on FIG. 22 and the reverse view of FIG. 23;

FIG. 25 depicts a top plan view of the thermal ablation device based on FIG. 22;

FIG. 26 depicts a bottom plan view of the thermal ablation device based on FIG. 22 and the reverse view of FIG. 25;

FIG. 27 depicts a left elevational view of the thermal ablation device based on FIG. 22;

FIG. 28 depicts a right elevational view of the thermal ablation device based on FIG. 22 and the reverse view of FIG. 27;

FIG. 29 depicts a top, front, right perspective view of a fifth embodiment of the thermal ablation device showing my new design;

FIG. 30 depicts a front elevational view of the thermal ablation device based on FIG. 29;

FIG. 31 depicts a rear elevational view of the thermal ablation device 105 based on FIG. 29 and the reverse view of FIG. 30;

FIG. 32 depicts a top plan view of the thermal ablation device based on FIG. 29;

FIG. 33 depicts a bottom plan view of the thermal ablation device based on FIG. 29 and the reverse view of FIG. 32;

FIG. 34 depicts a left elevational view of the thermal ablation device based on FIG. 29; and,

FIG. 35 depicts a right elevational view of the thermal ablation device based on FIG. 29 and the reverse view of FIG. 34.

The broken lines in FIGS. 1, 2, 3, 4, 5, 6, 7, 8, 9, 10, 11, 12, 13, 14, 15, 16, 17, 18, 19, 20, 21, 22, 23, 24, 25, 26, 27, 28, 29, 30, 31, 32, 33, 34, and 35 depict a portion of the thermal ablation device that forms no part of the claimed design.

1 Claim, 25 Drawing Sheets

(58) **Field of Classification Search**

CPC A61B 18/04; A61B 18/08; A61B 18/082;
A61B 2018/00577

See application file for complete search history.

(56) **References Cited**

U.S. PATENT DOCUMENTS

9,968,395	B2 *	5/2018	Hoey	A61B 18/04
9,993,290	B2 *	6/2018	Chee	A61B 18/04
10,342,593	B2 *	7/2019	Hastings	A61B 18/04
2002/0151882	A1 *	10/2002	Marko	A61B 18/08 606/28
2011/0152722	A1 *	6/2011	Yackel	A61B 18/082 600/587
2016/0120585	A1 *	5/2016	Poulsen	A61B 18/04 606/31
2019/0269449	A1 *	9/2019	Hastings	A61B 18/04
2020/0197081	A1 *	6/2020	Chee	A61B 18/04

* cited by examiner

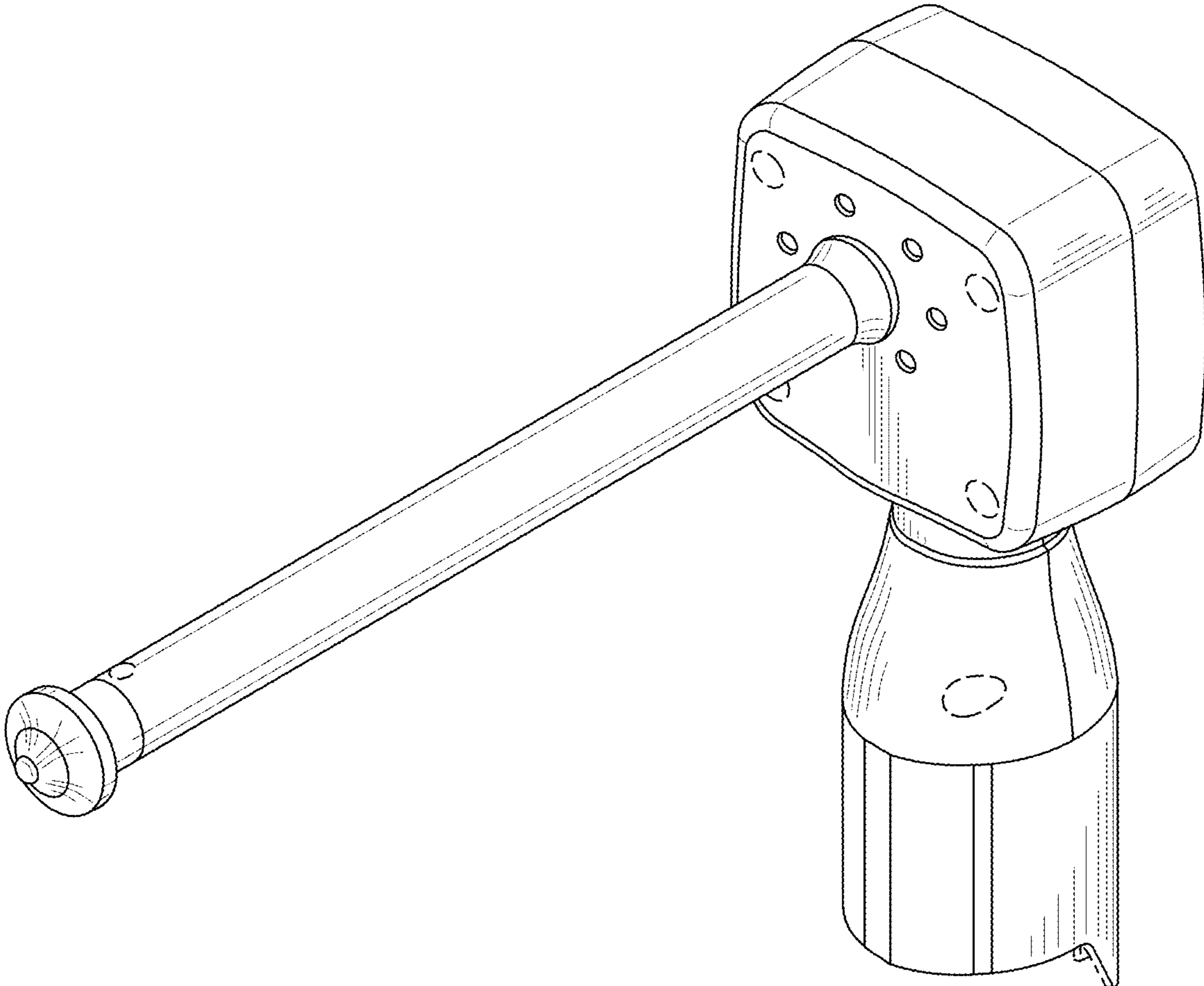


FIG. 1

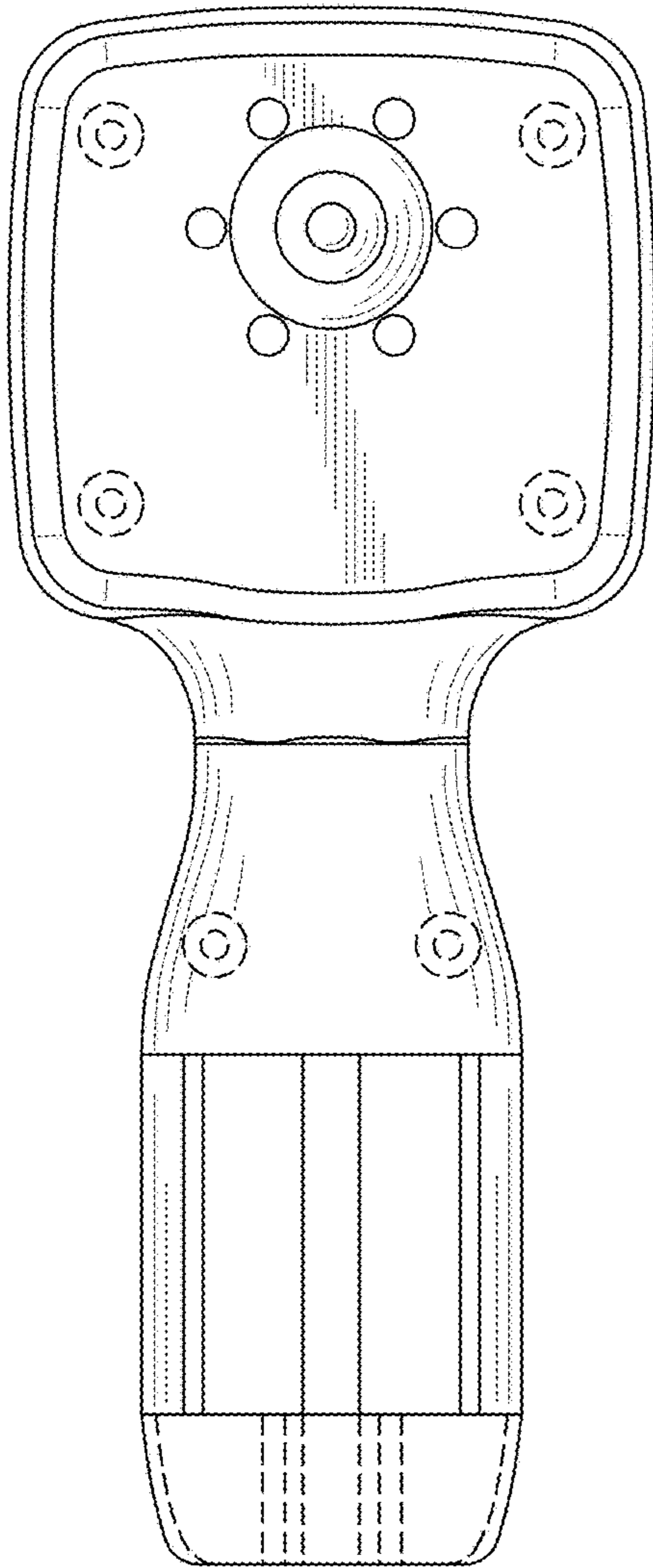


FIG. 2

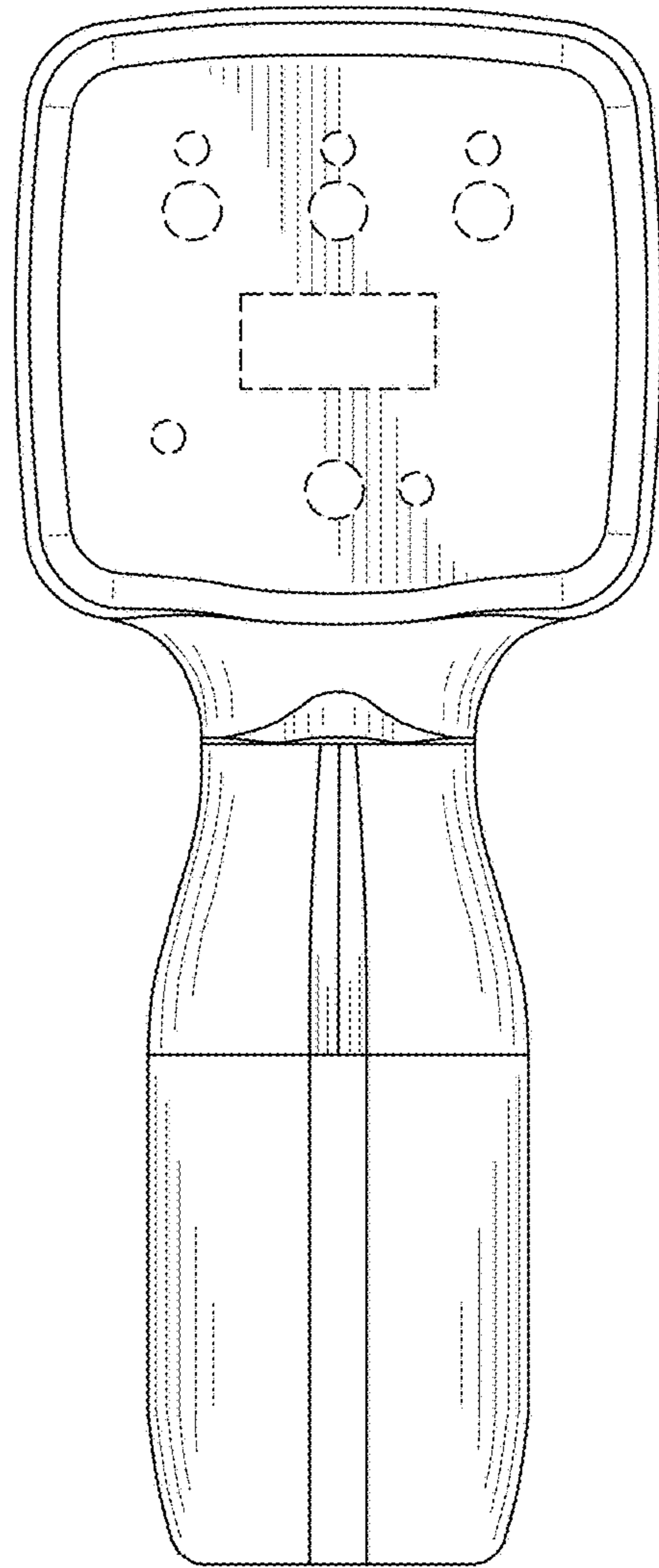


FIG. 3

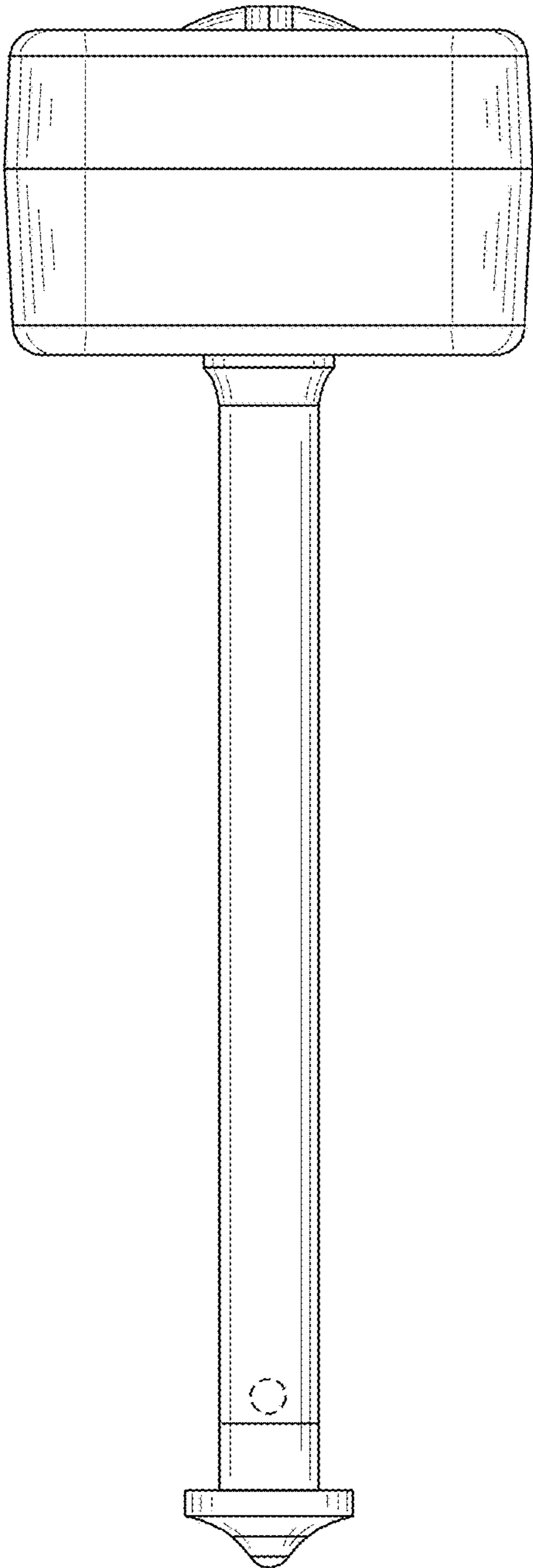


FIG. 4

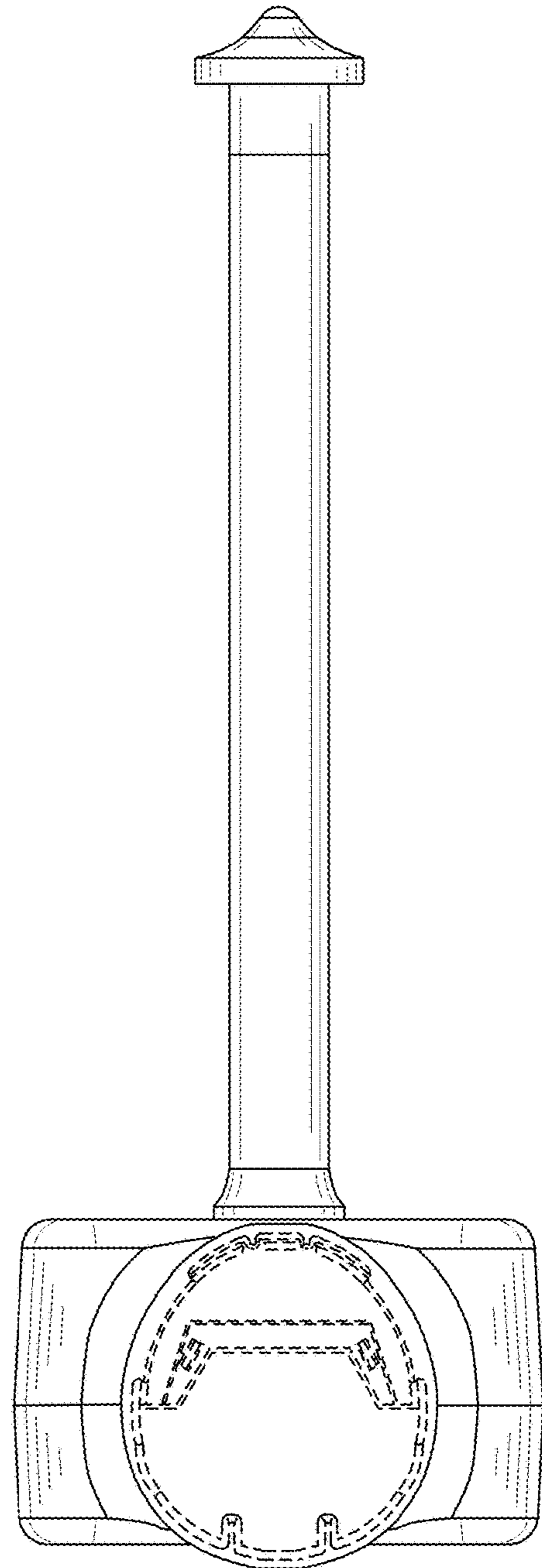


FIG. 5

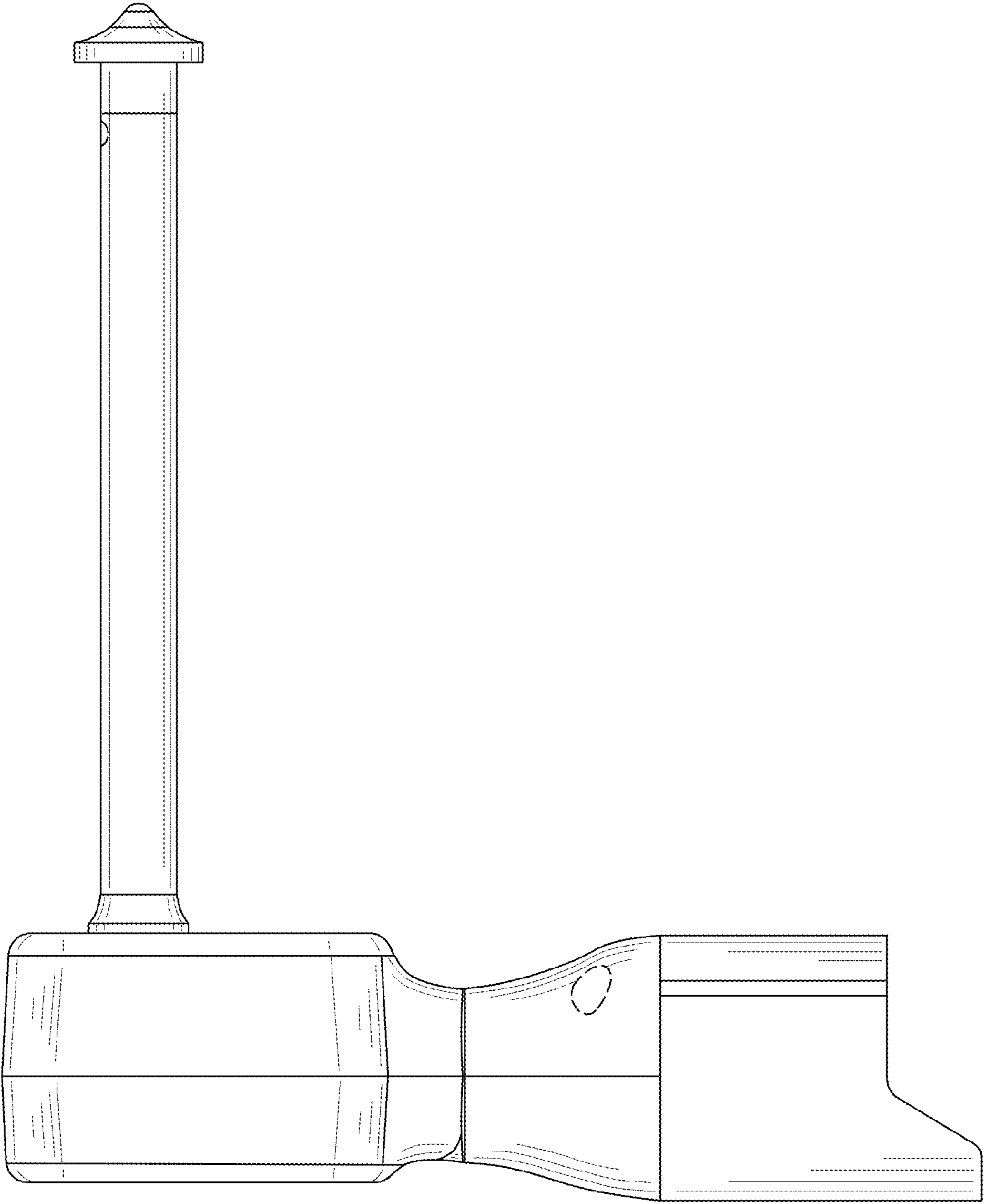


FIG. 6

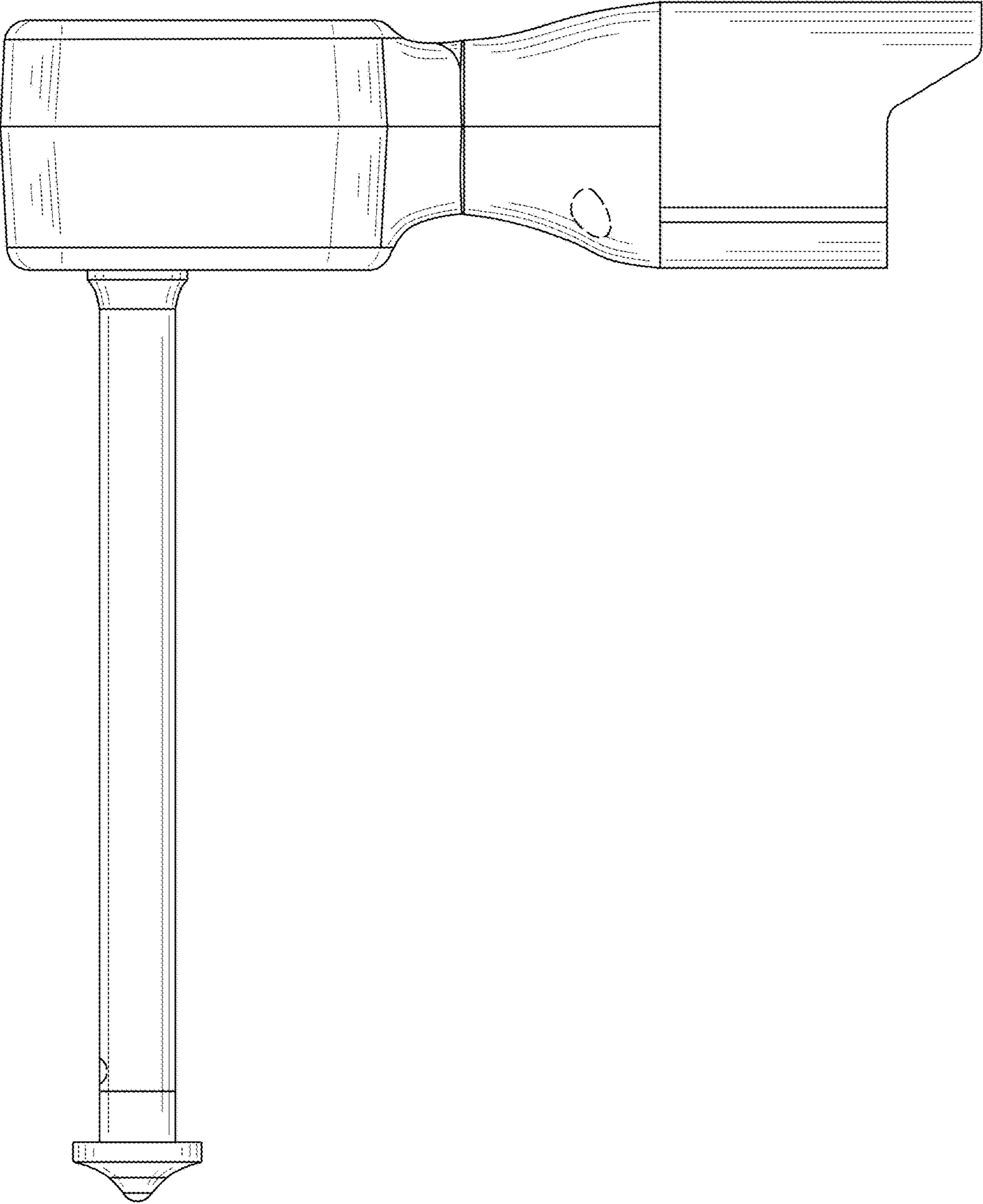


FIG. 7

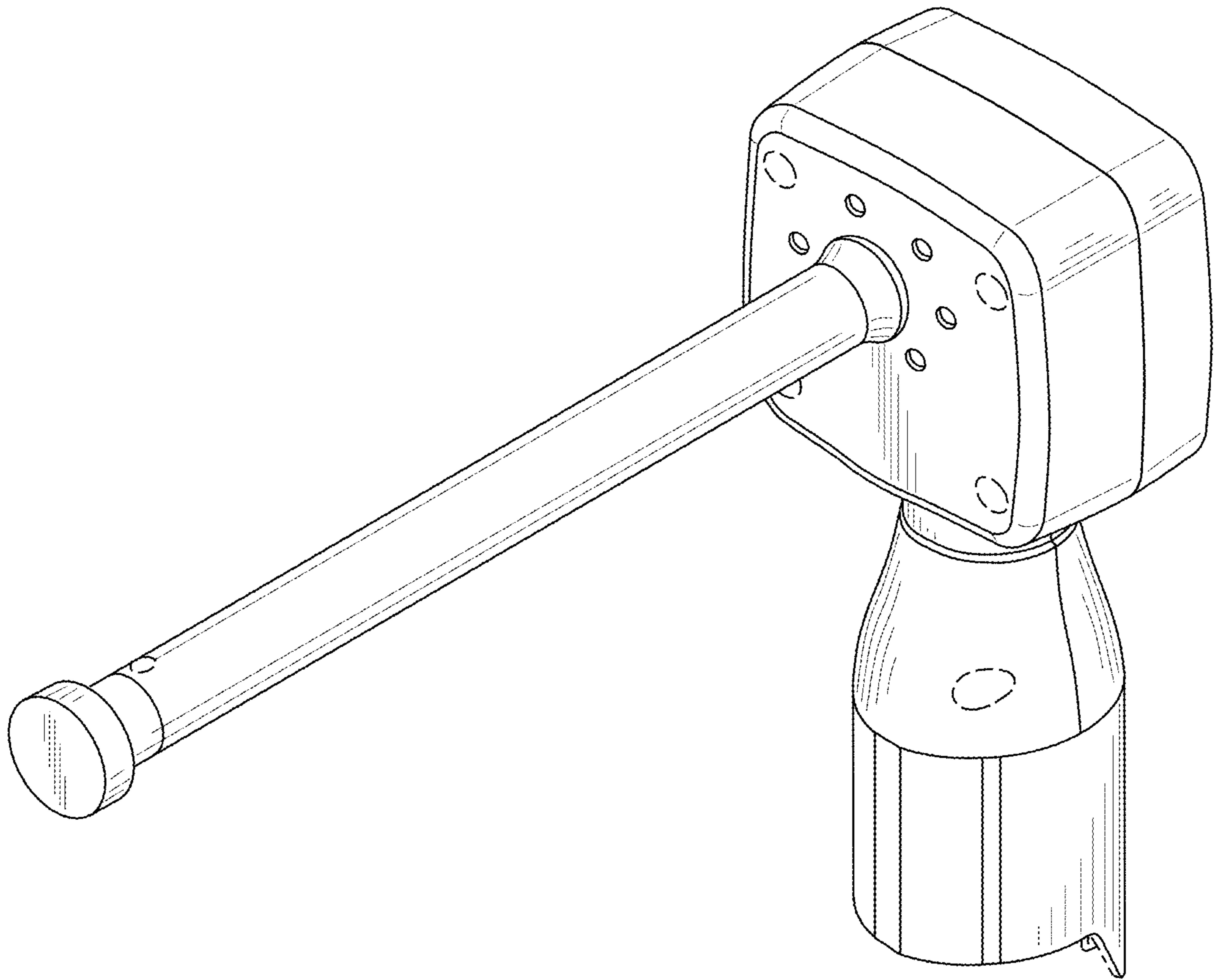


FIG. 8

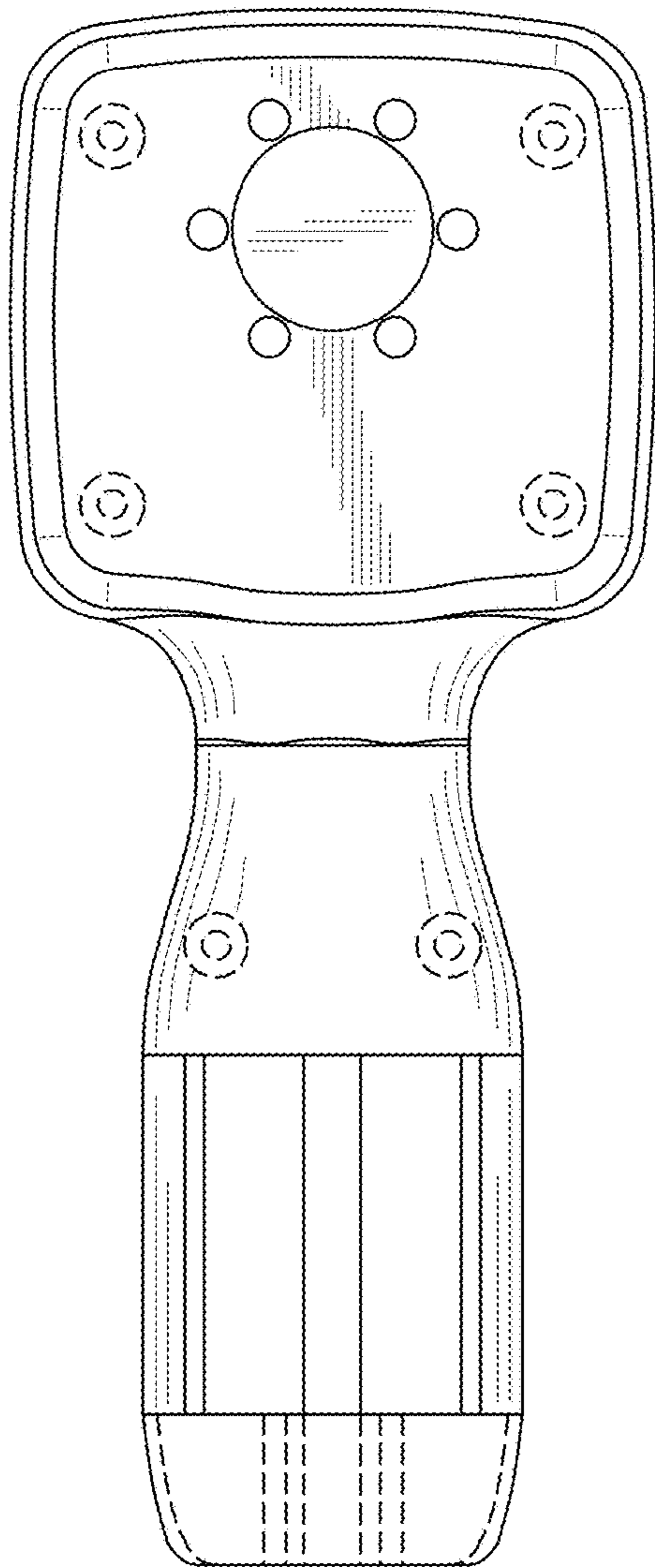


FIG. 9

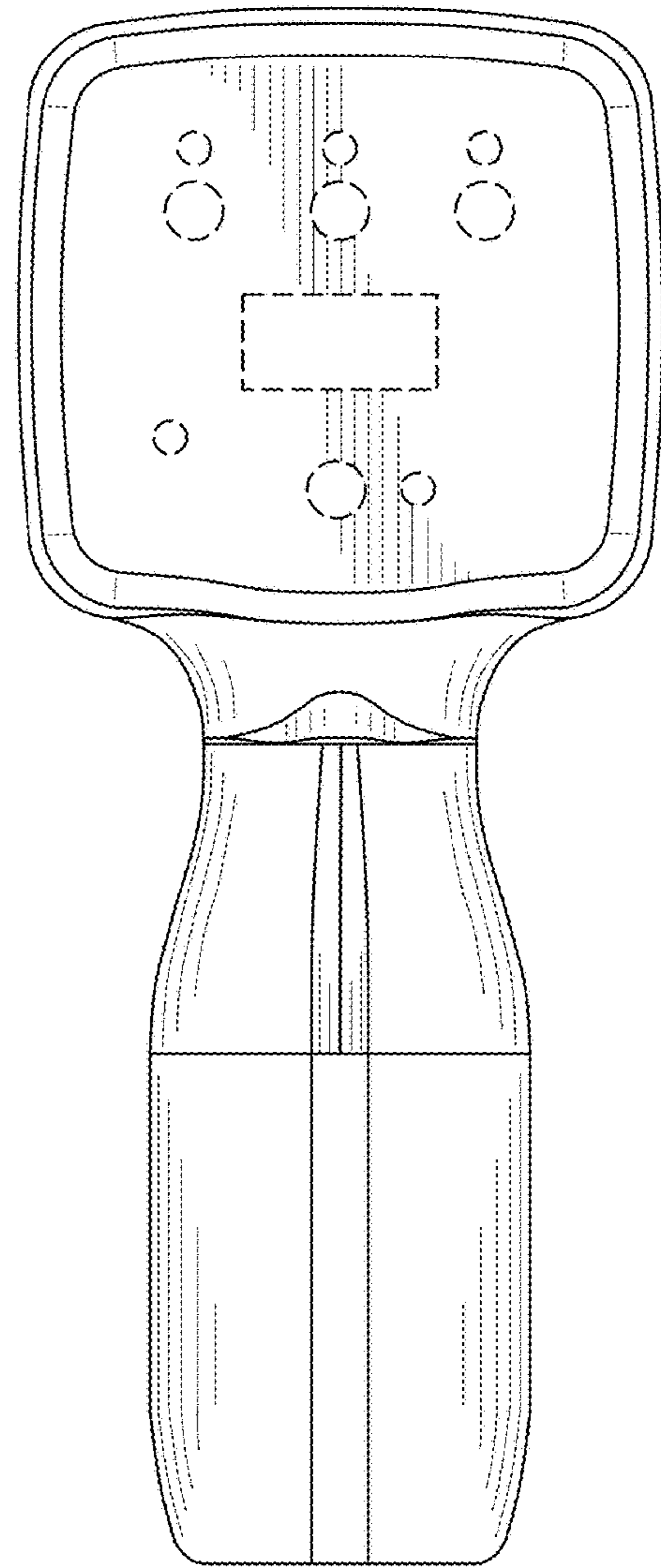


FIG. 10

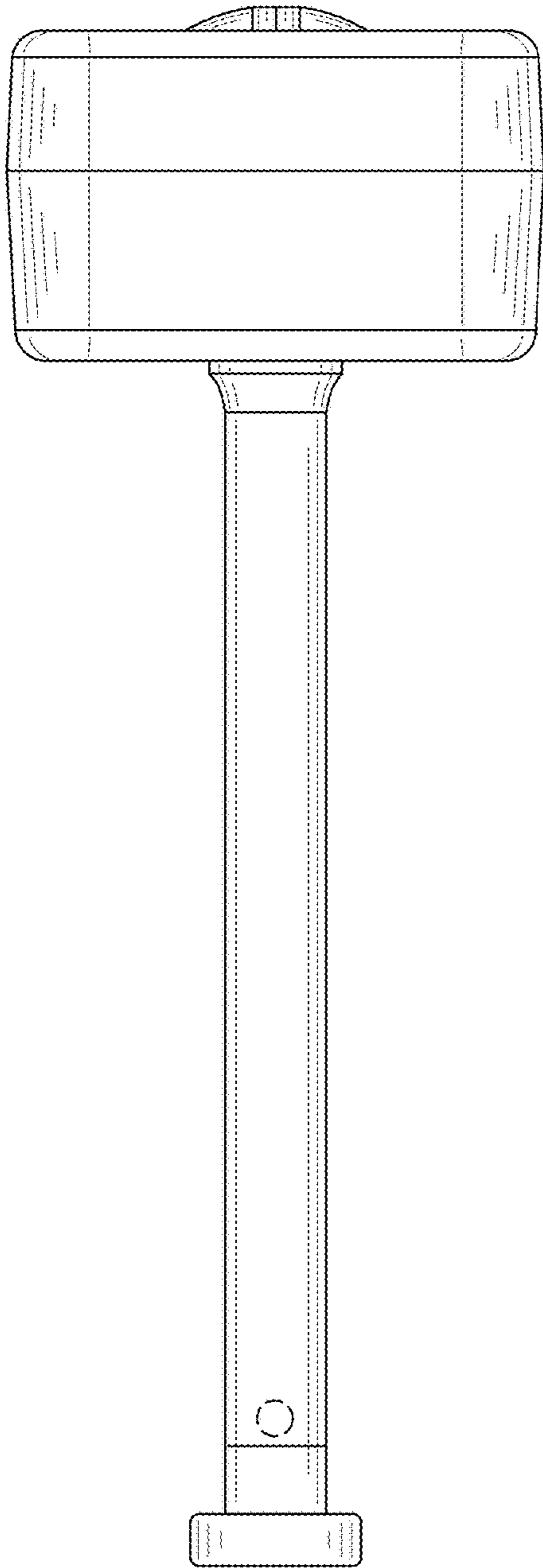


FIG. 11

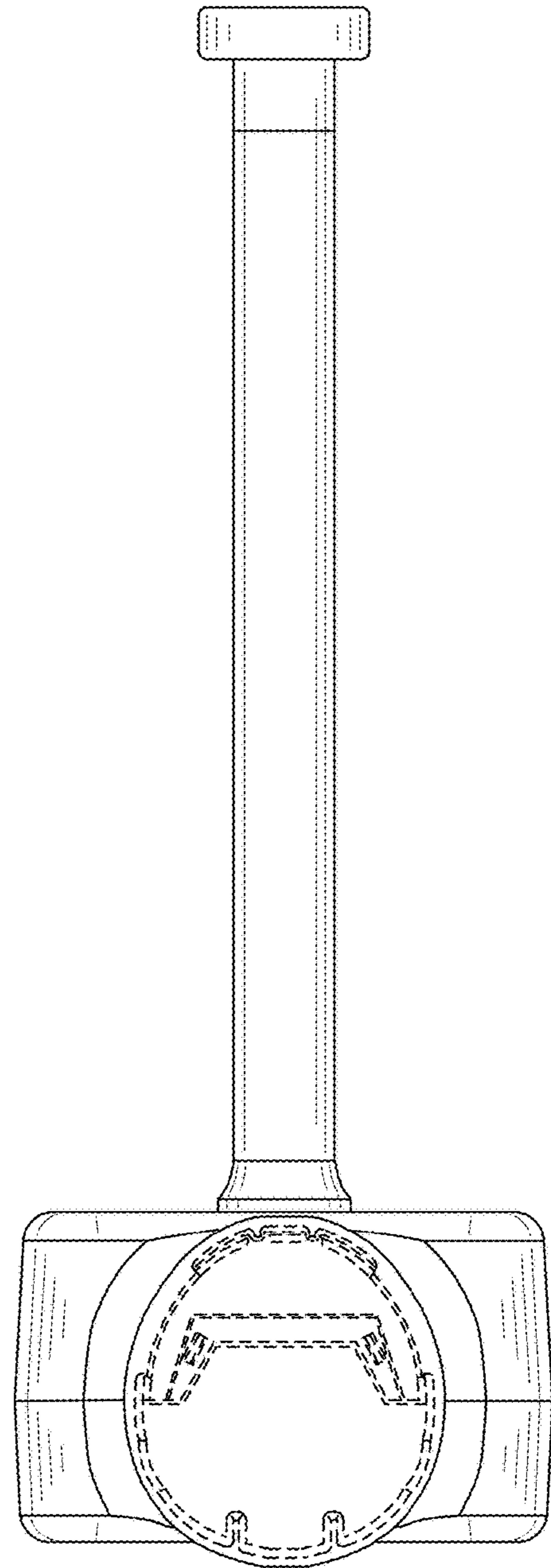


FIG. 12

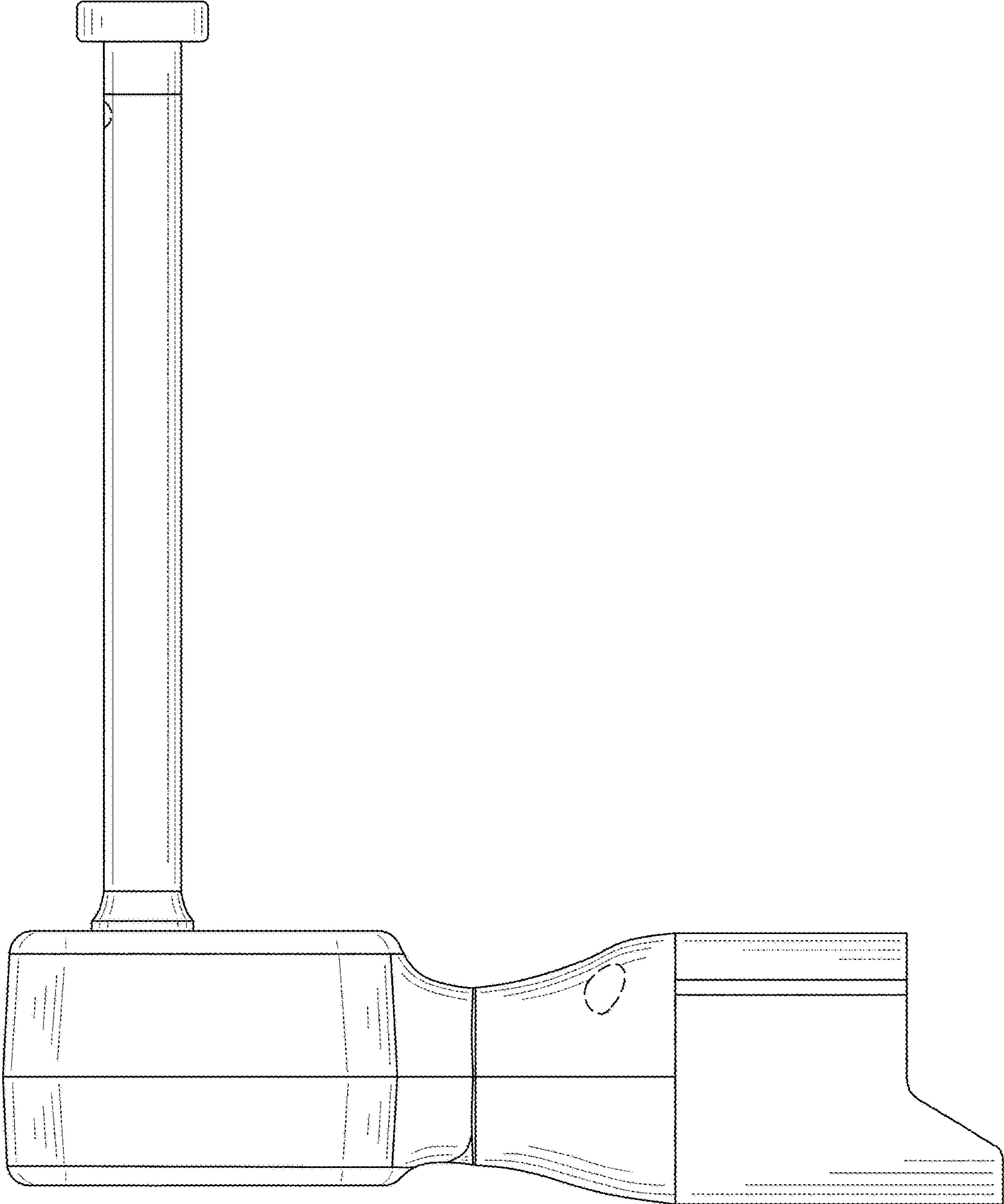


FIG. 13

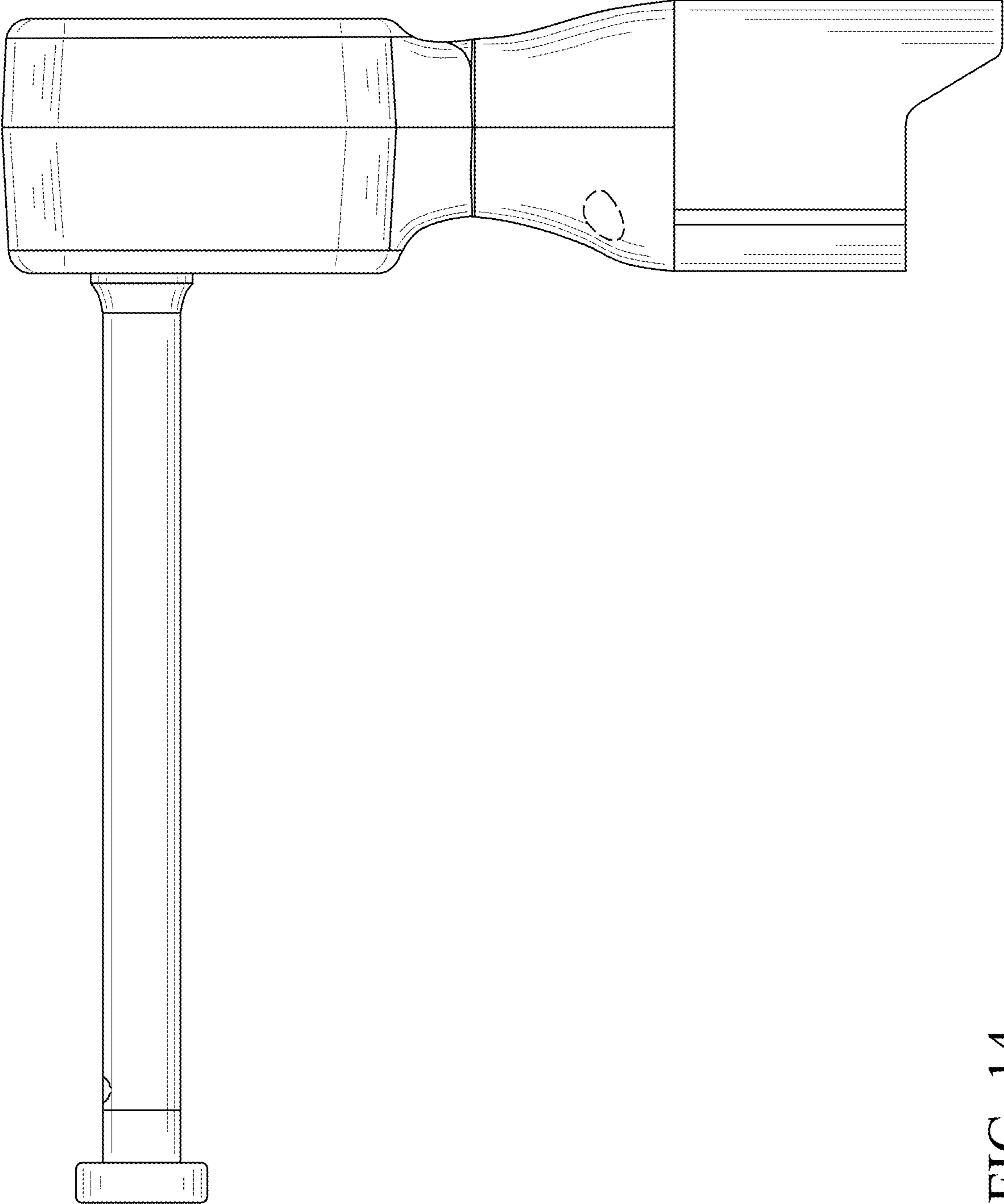


FIG. 14

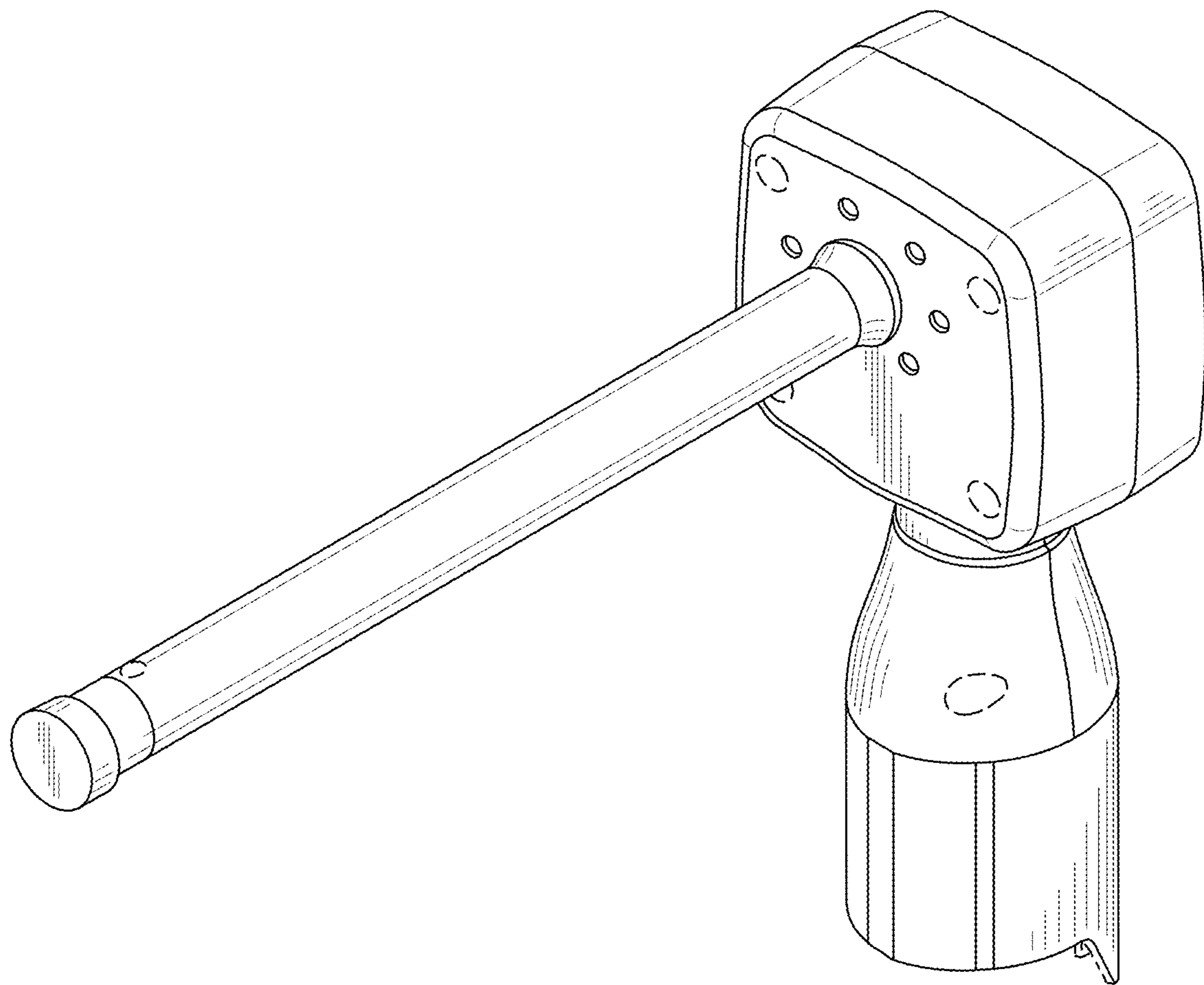


FIG. 15

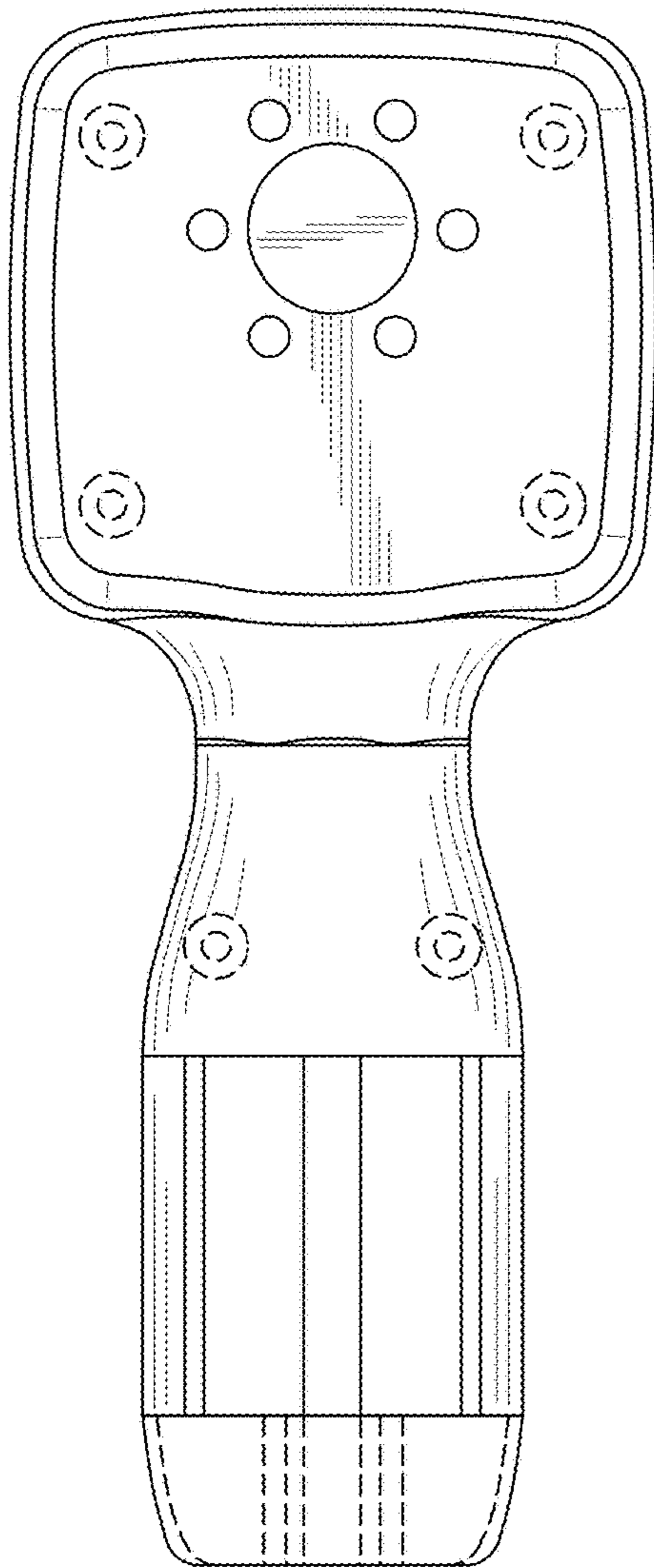


FIG. 16

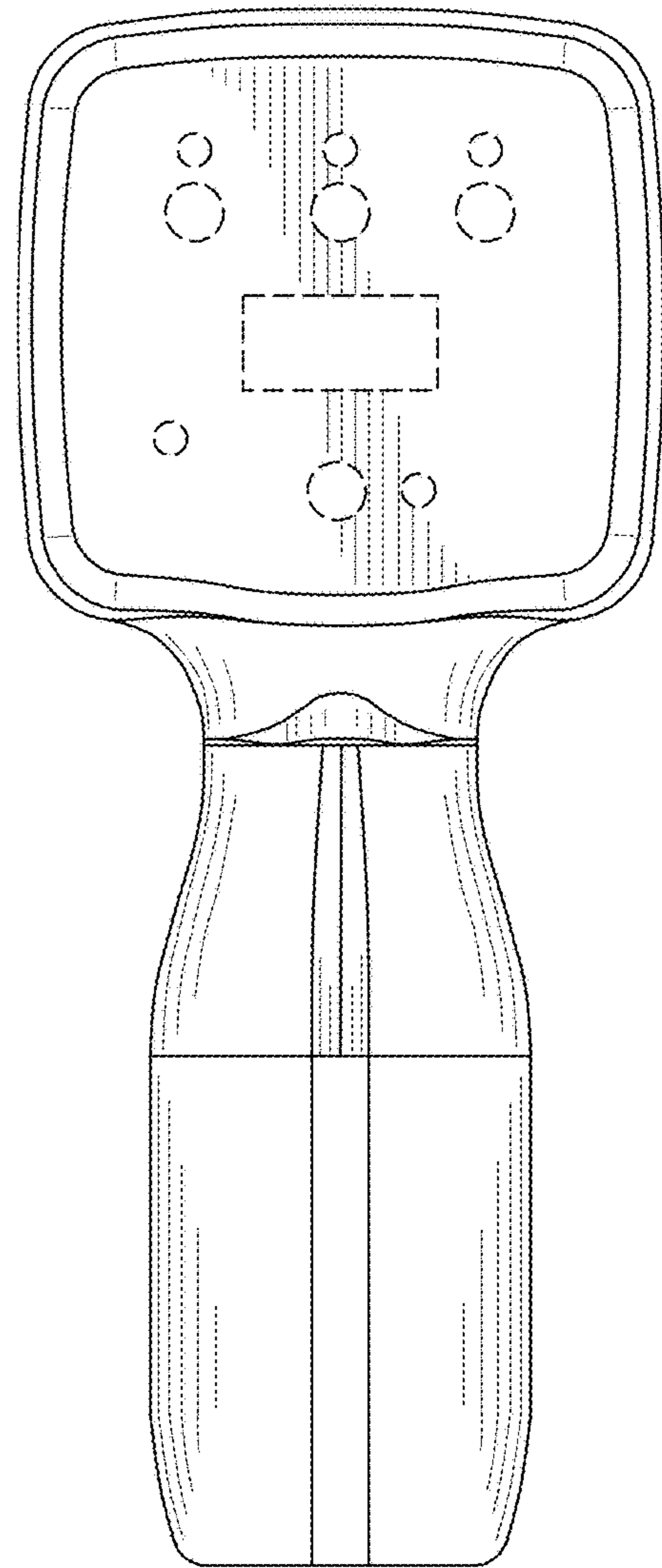


FIG. 17

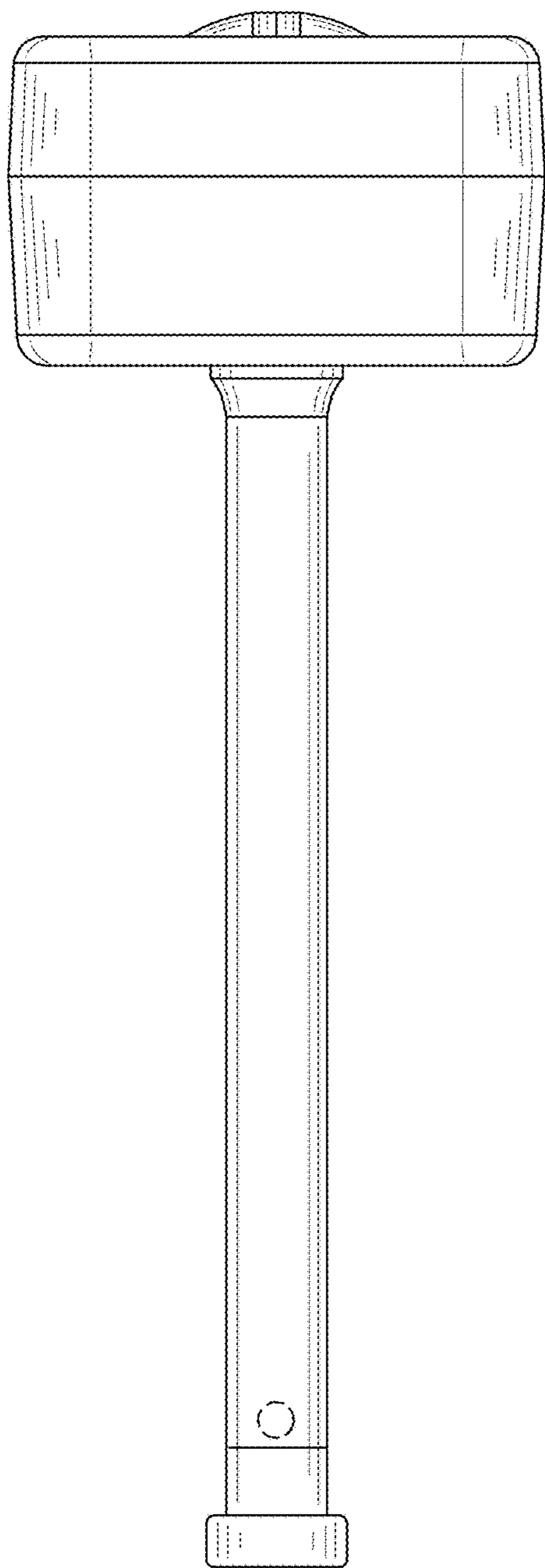


FIG. 18

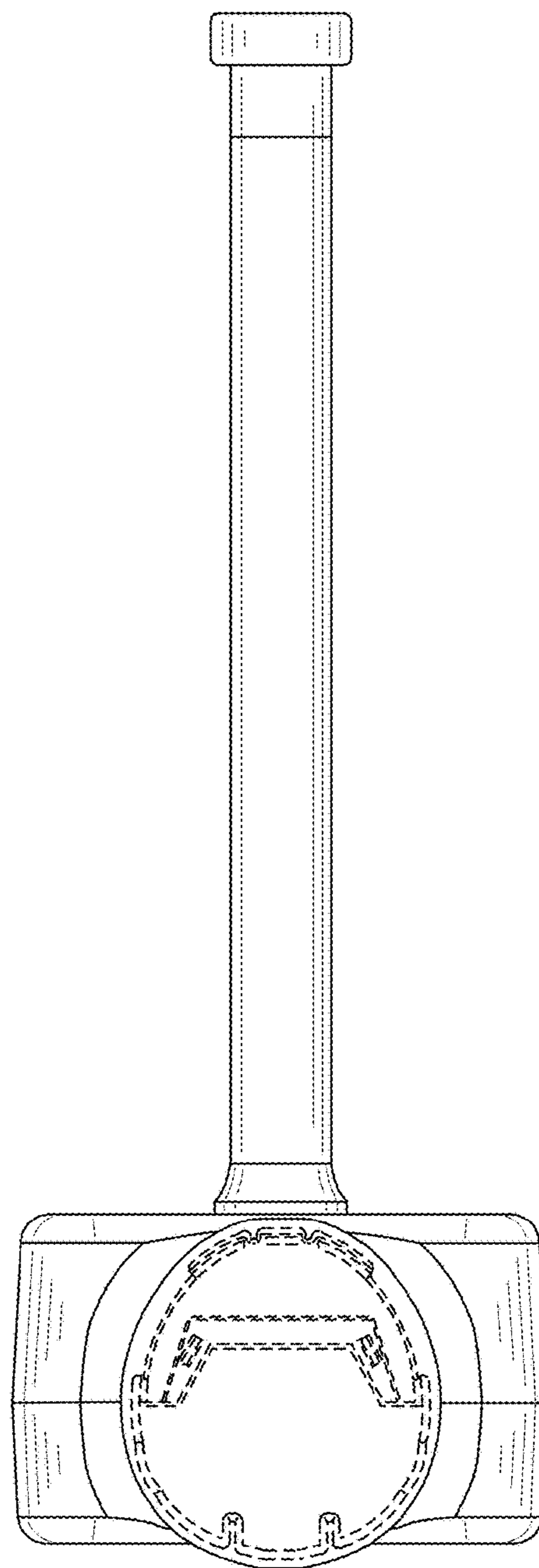


FIG. 19

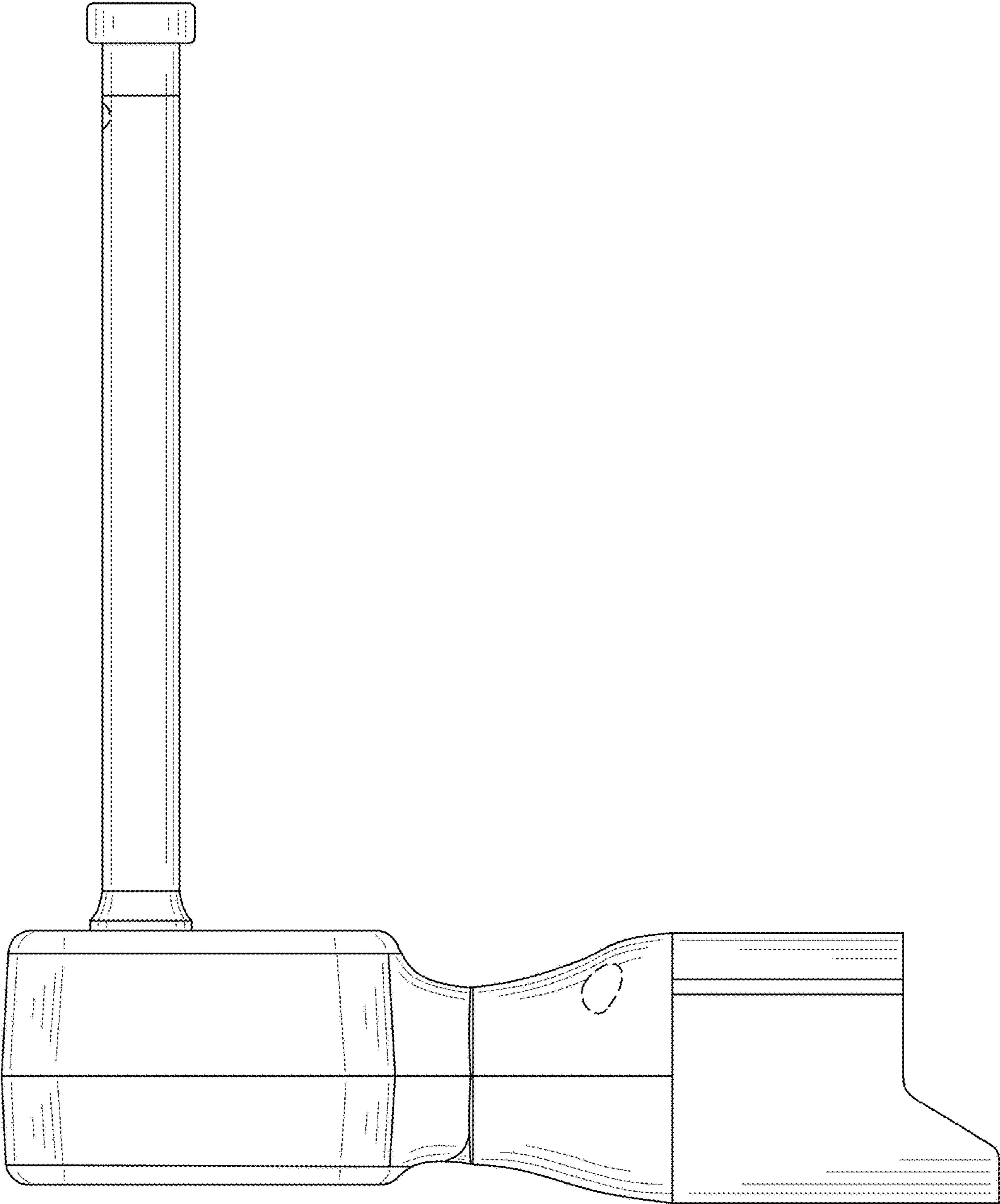


FIG. 20

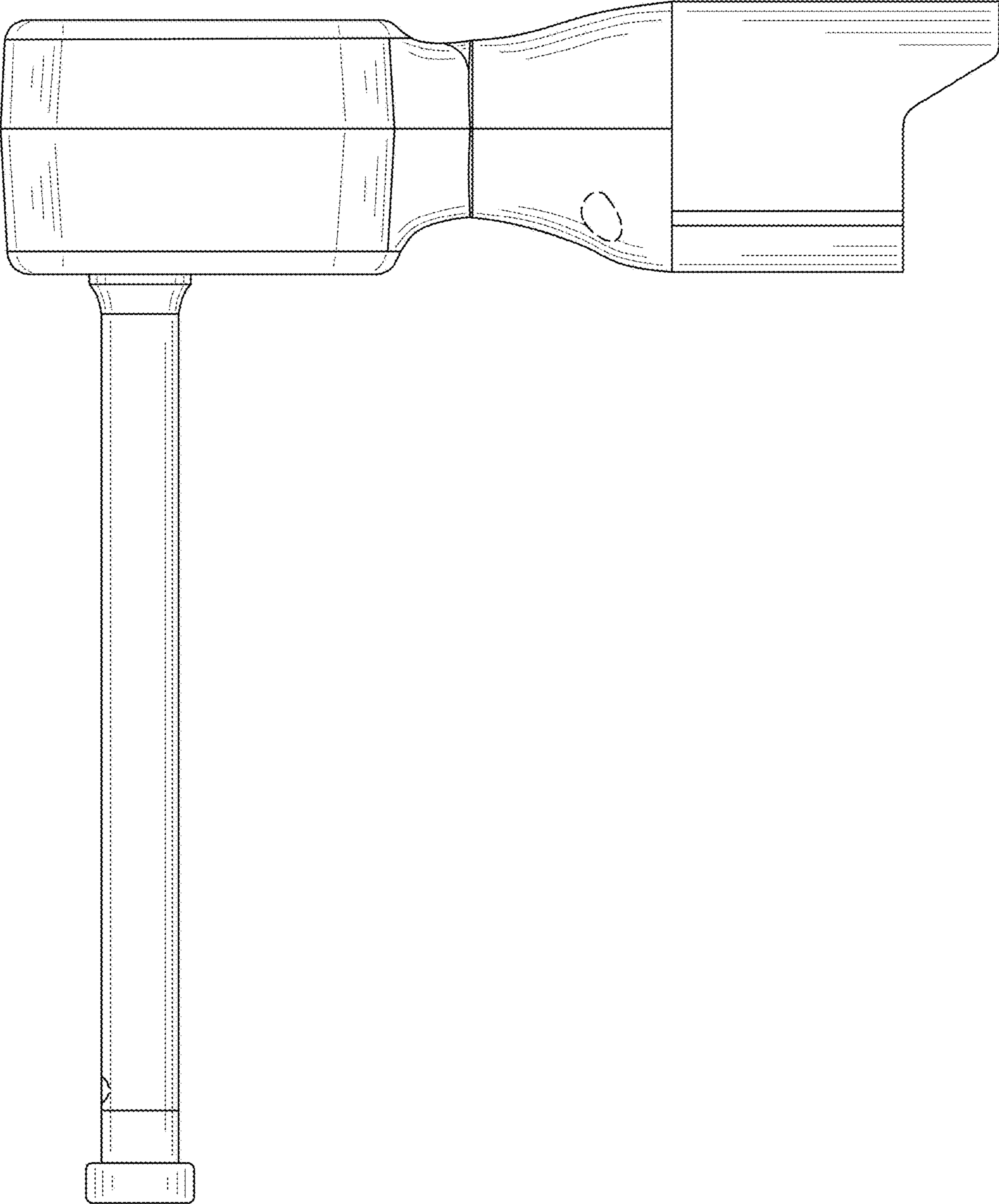


FIG. 21

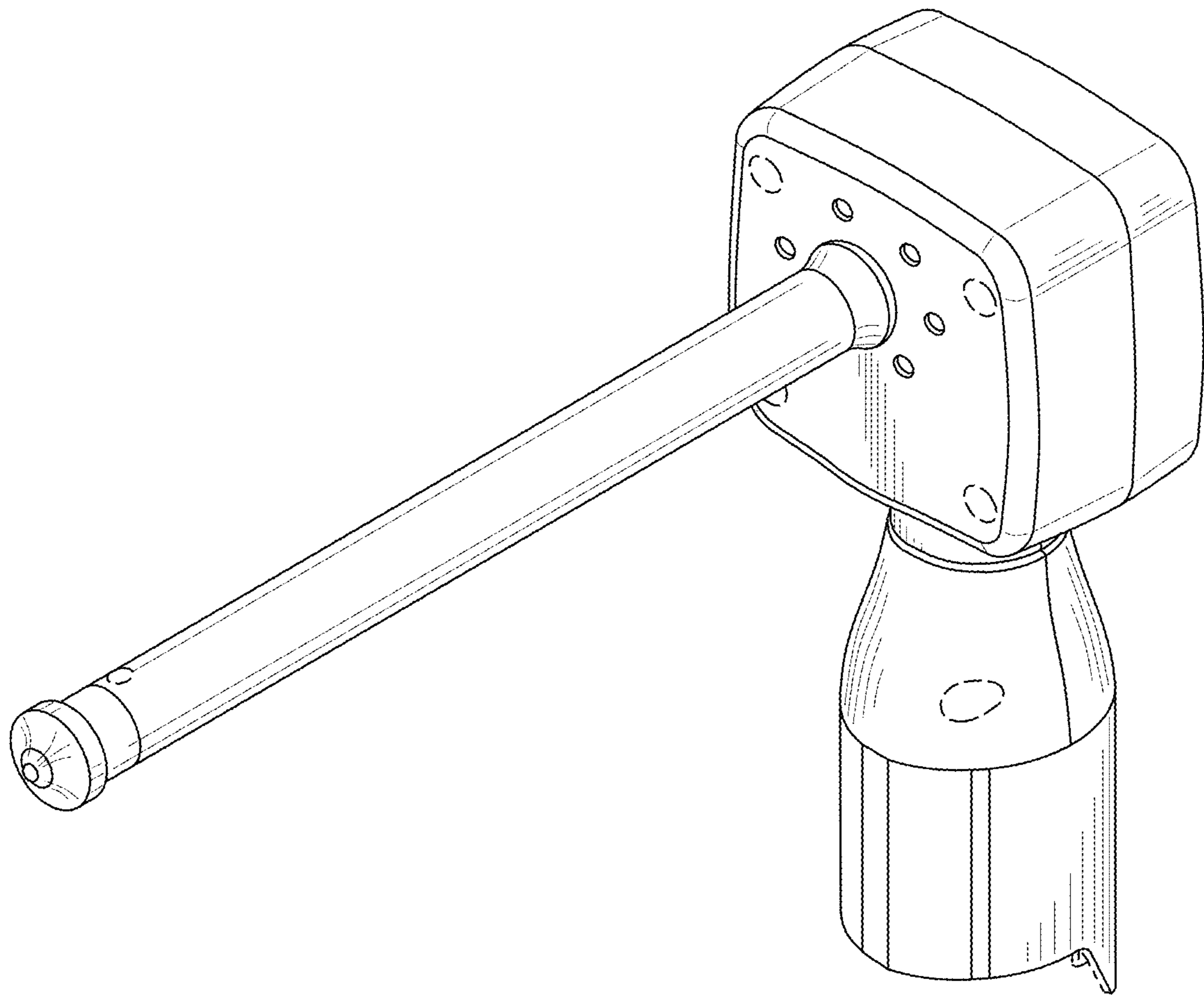


FIG. 22

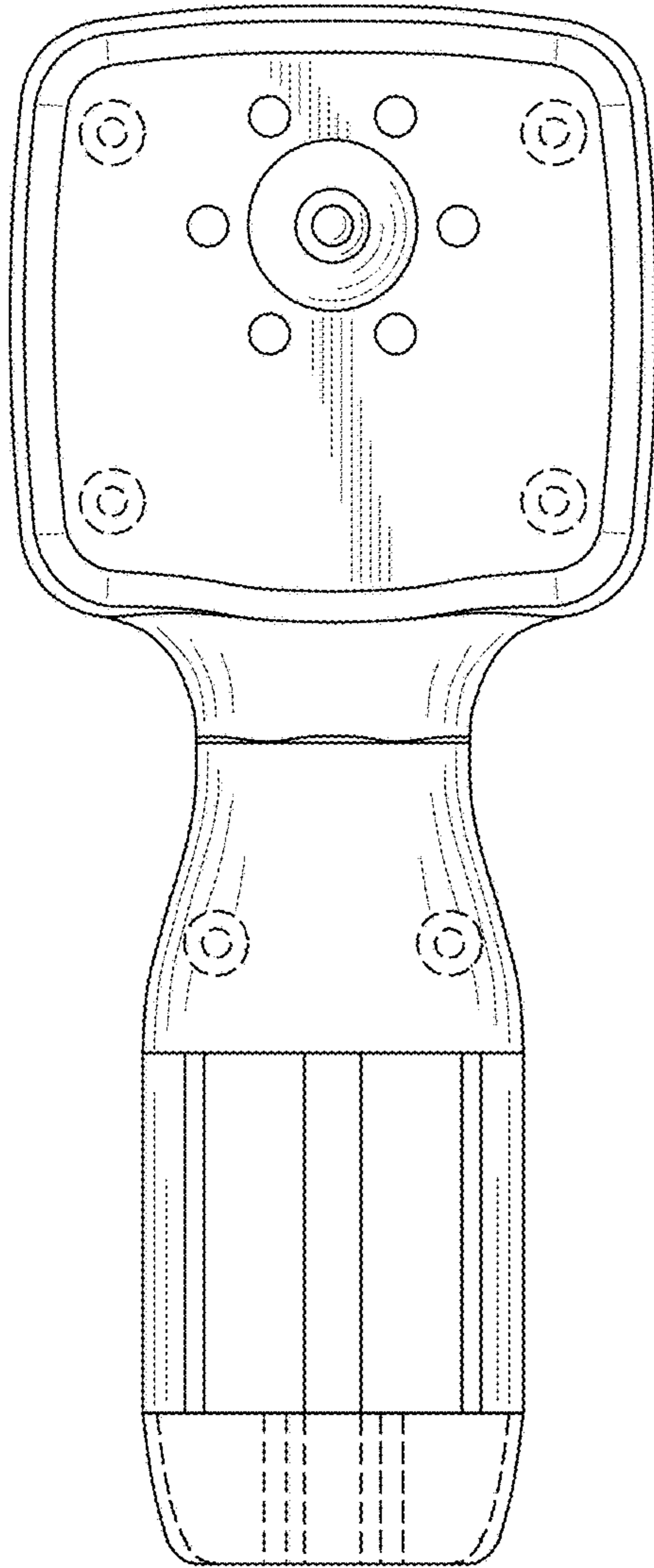


FIG. 23

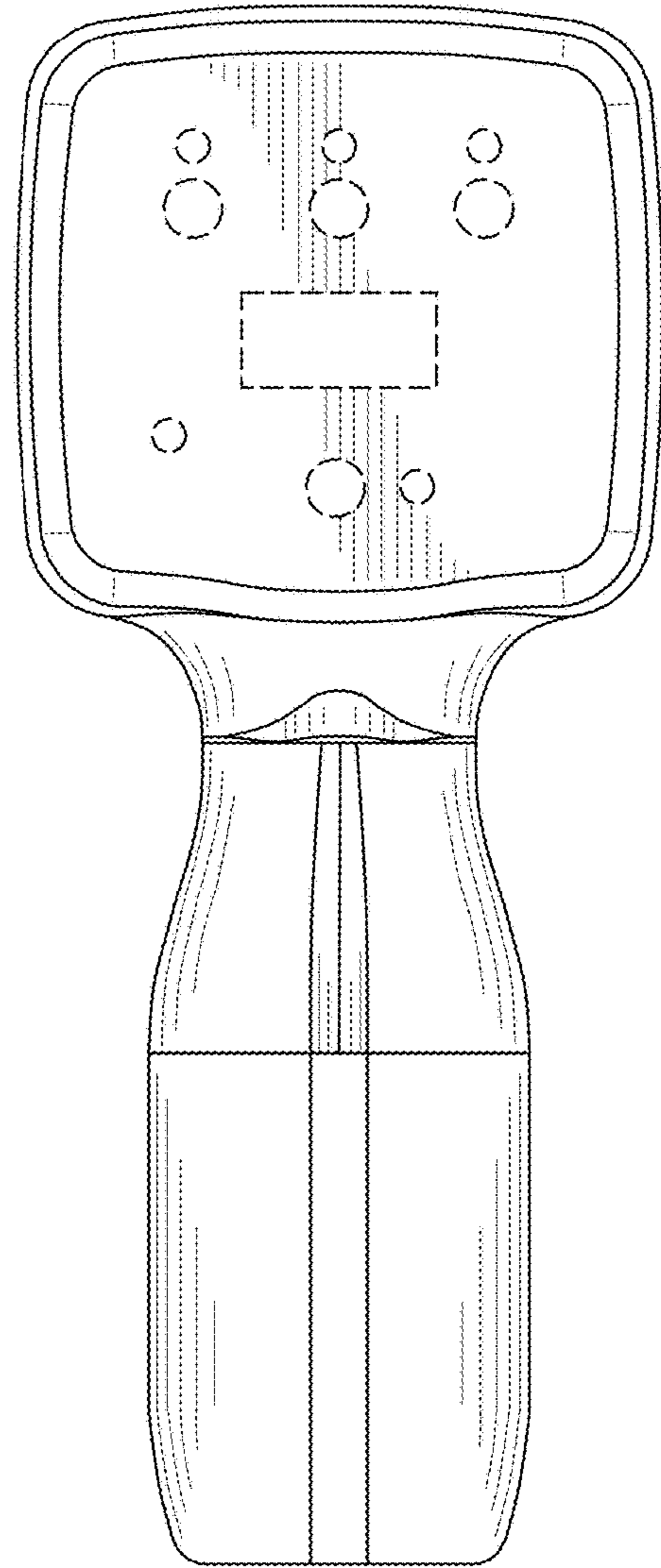


FIG. 24

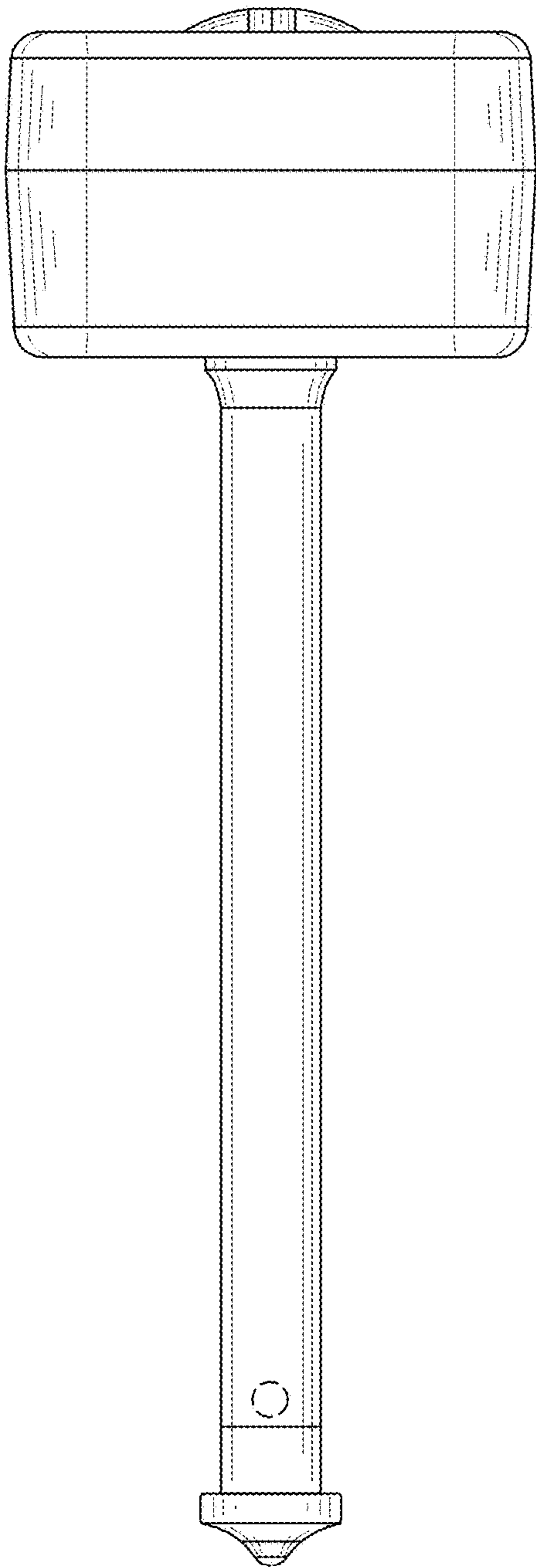


FIG. 25

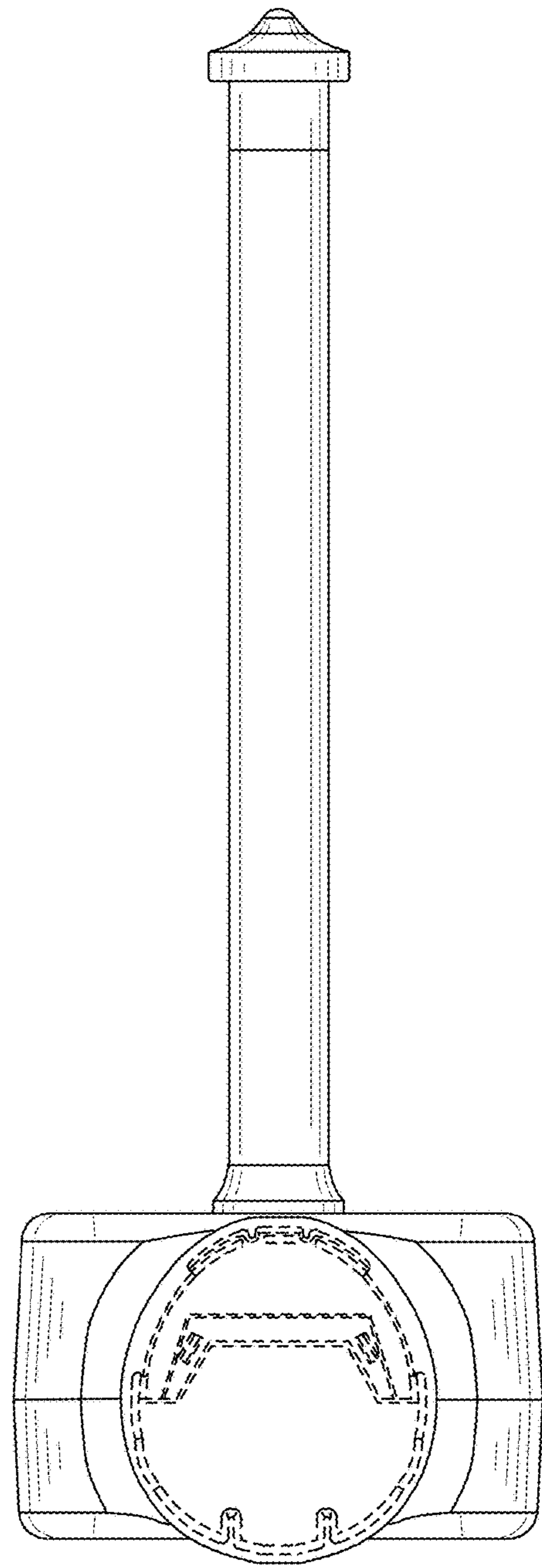


FIG. 26

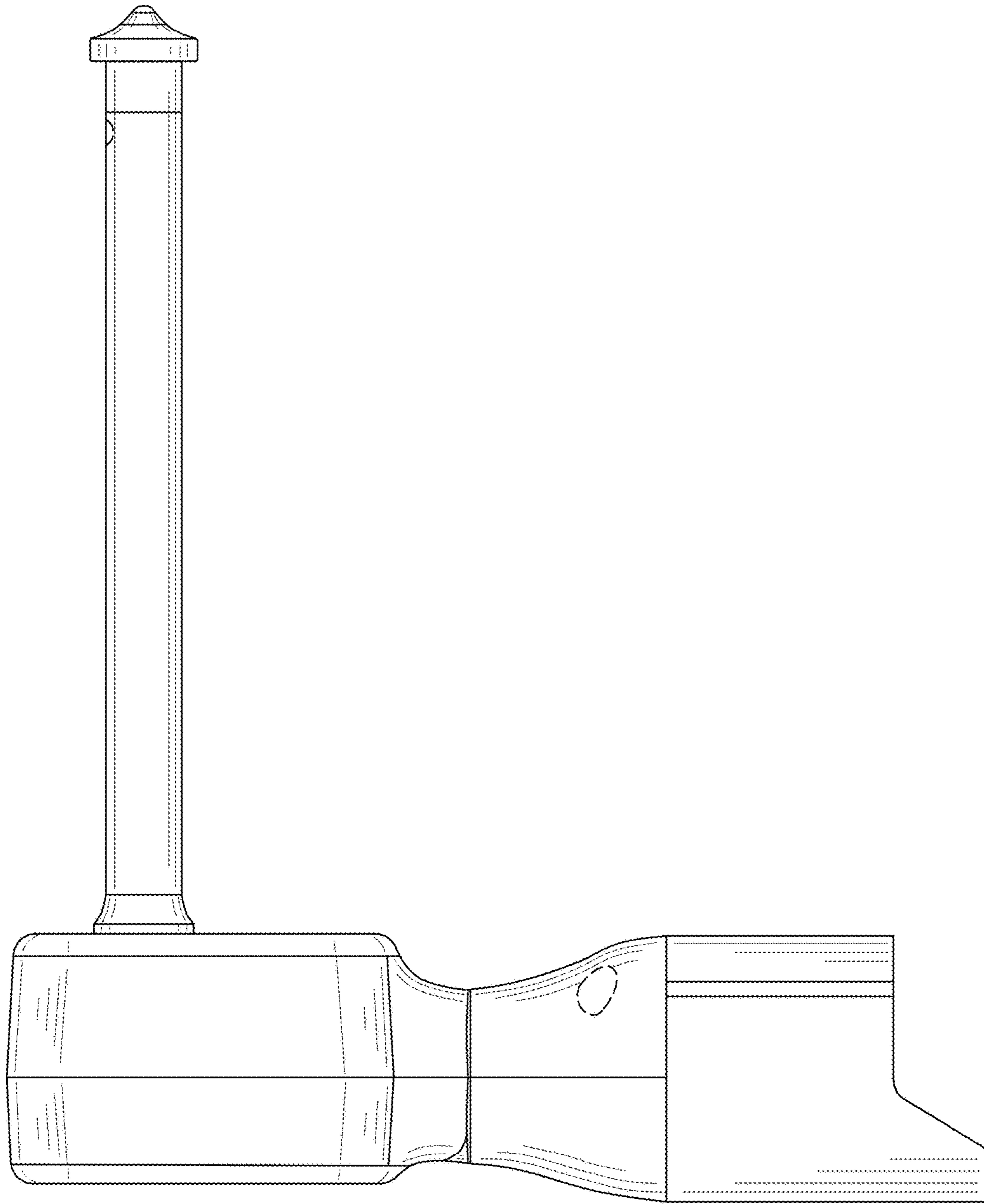


FIG. 27

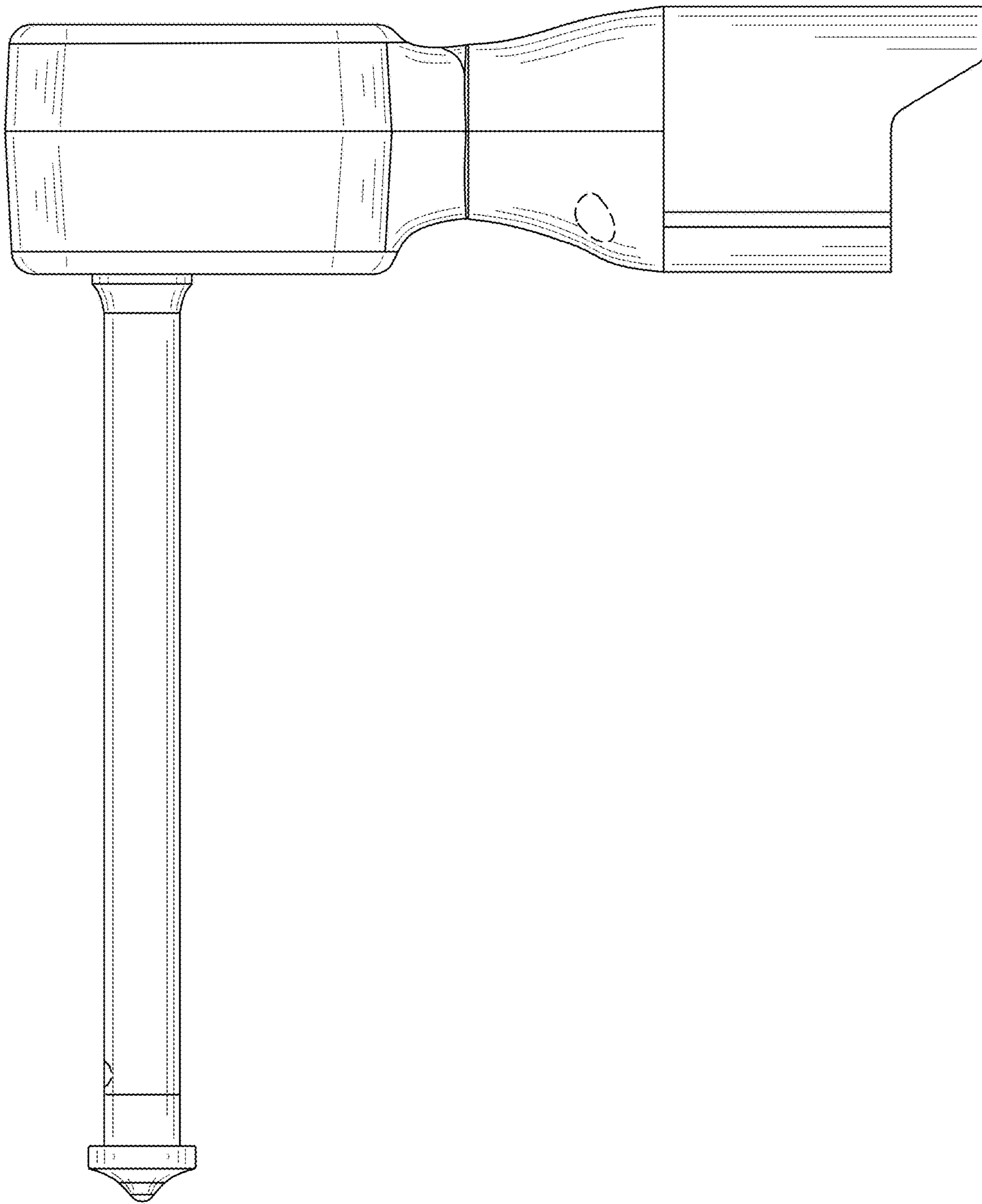


FIG. 28

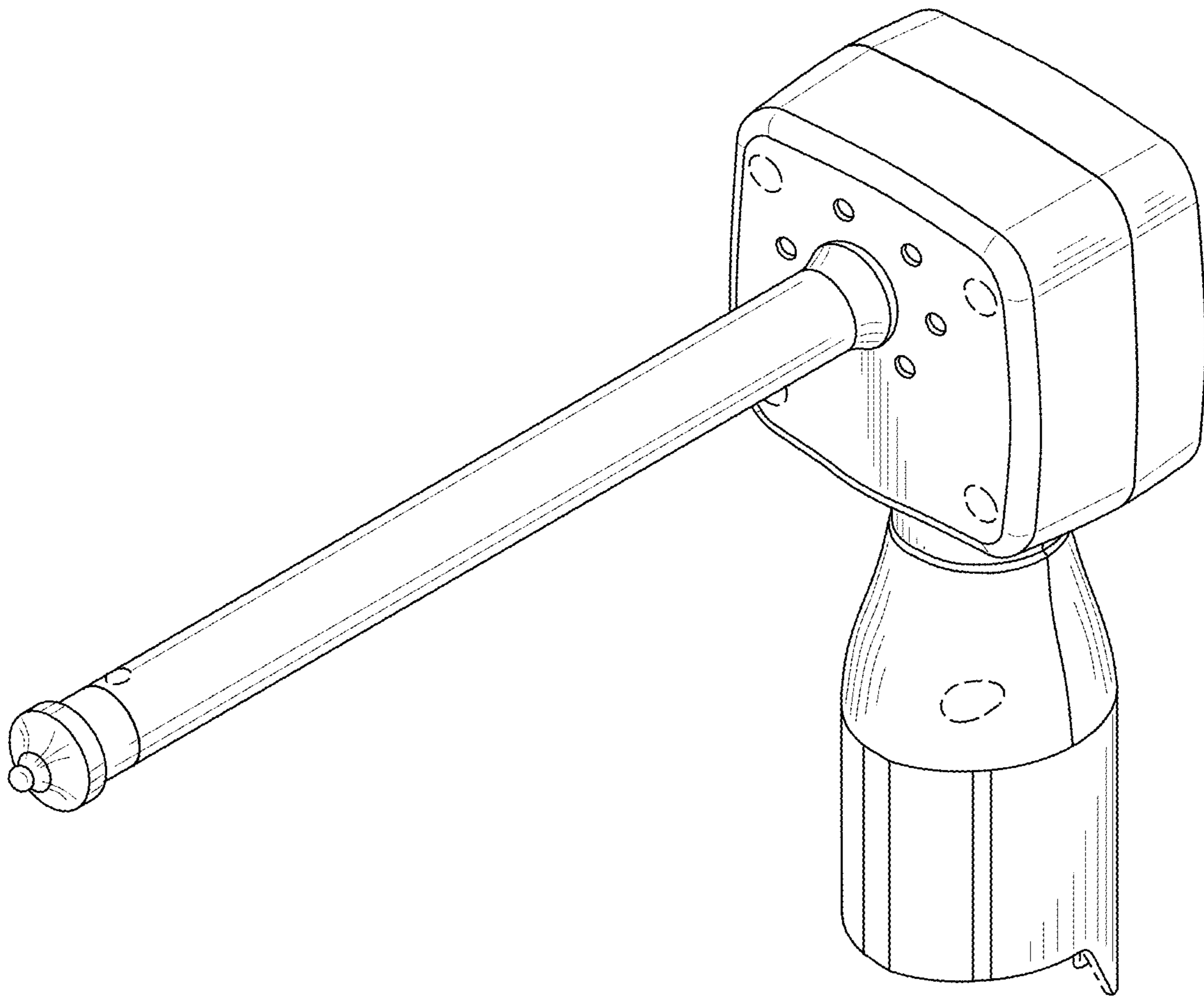


FIG. 29

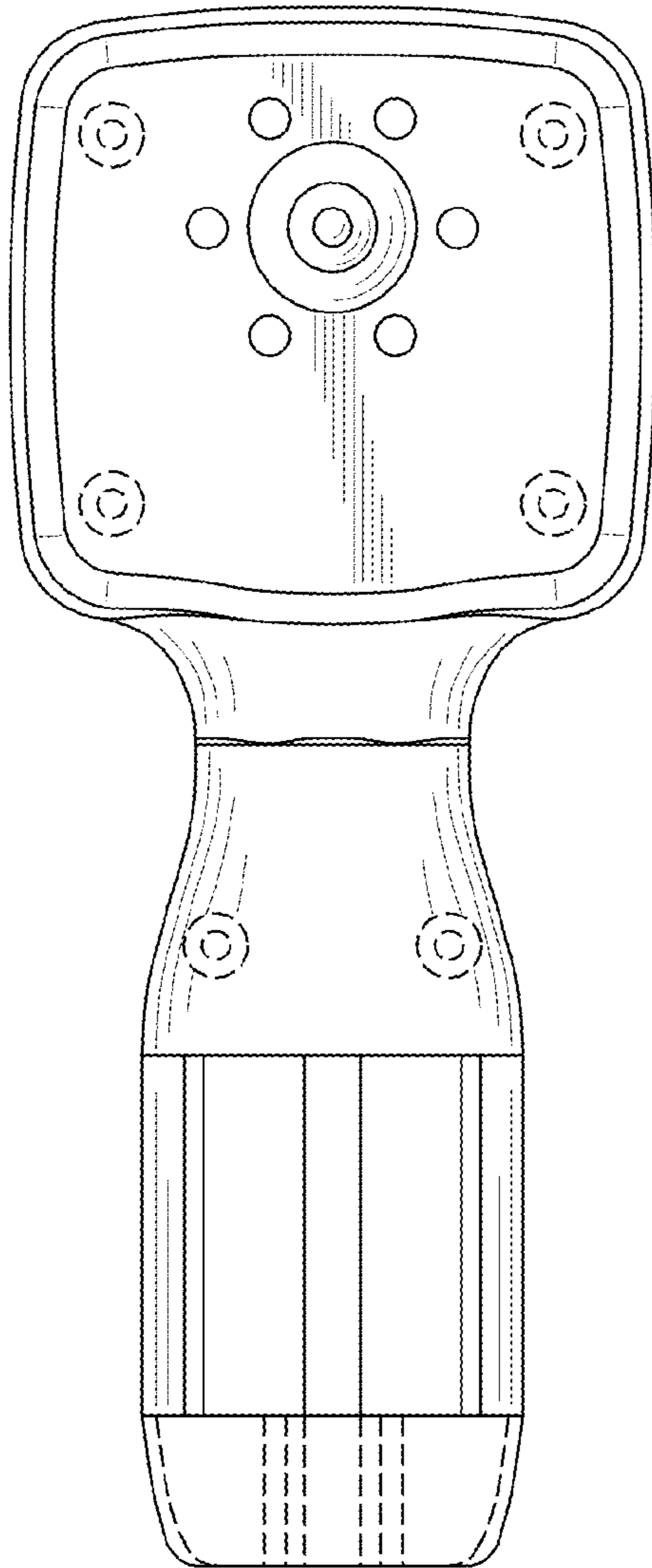


FIG. 30

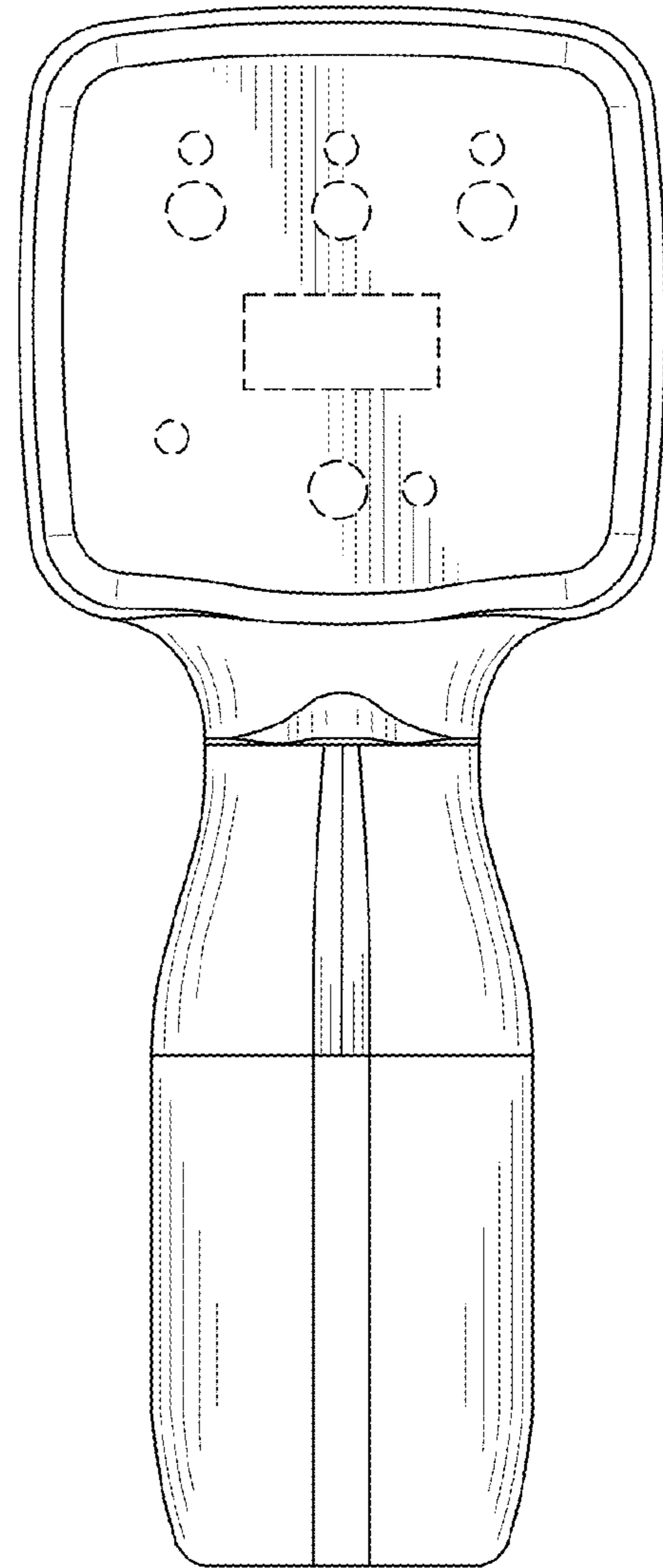


FIG. 31

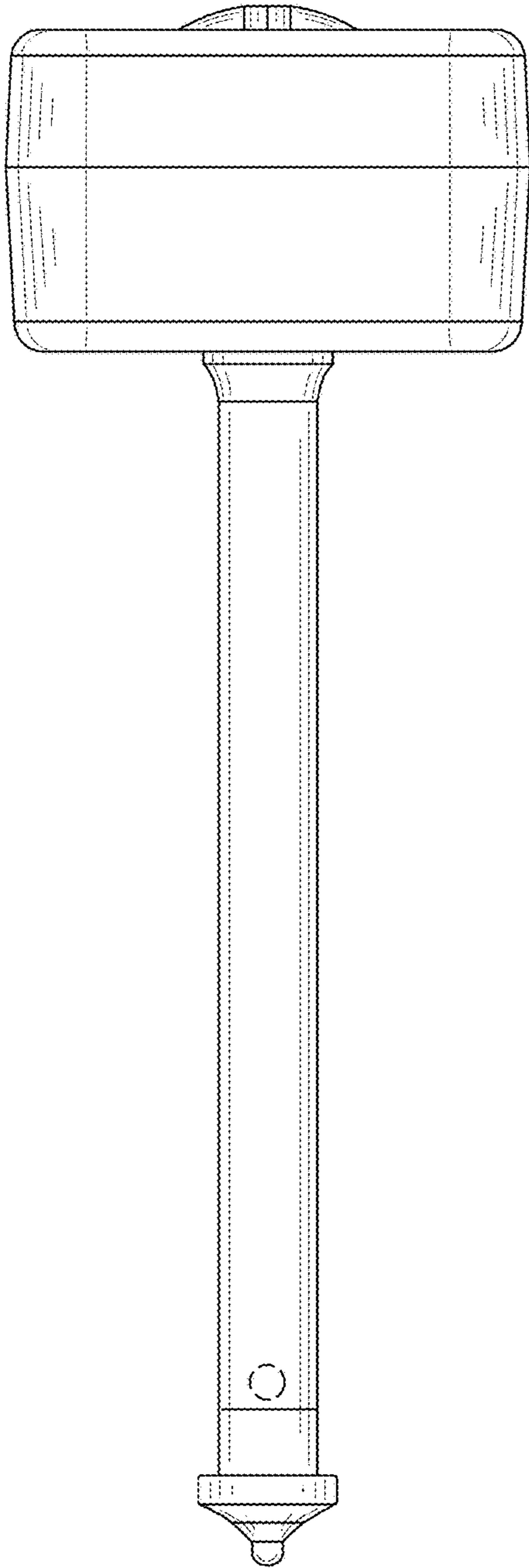


FIG. 32

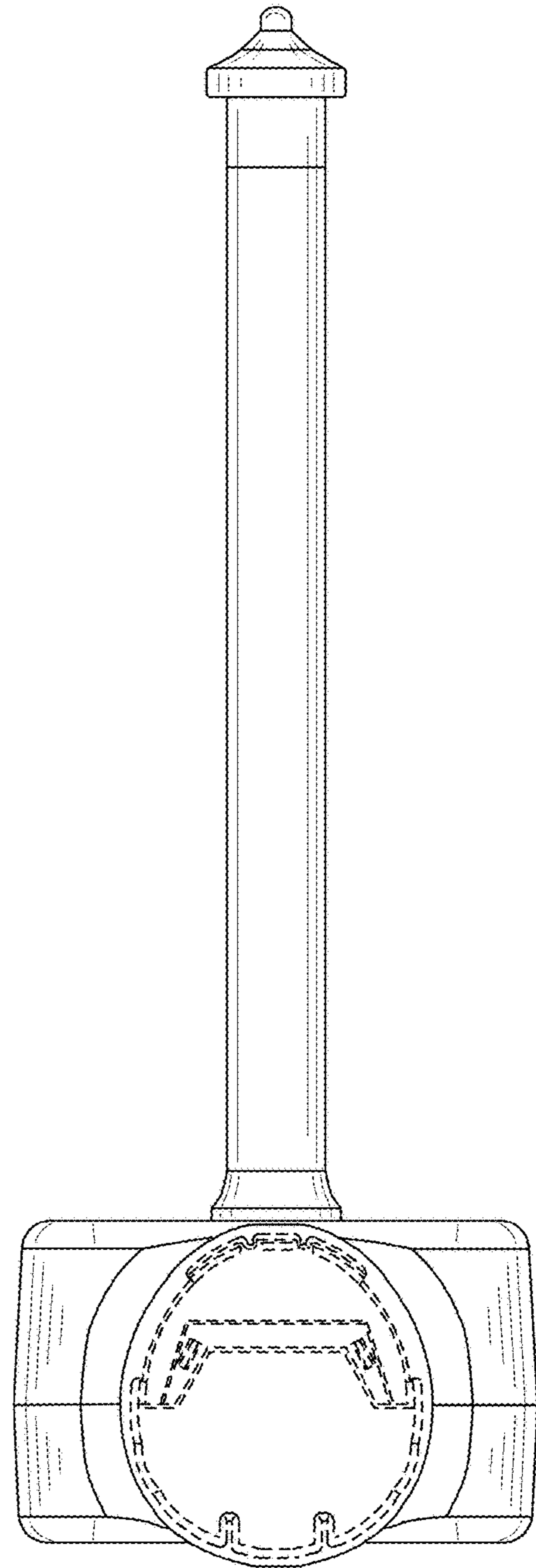


FIG. 33

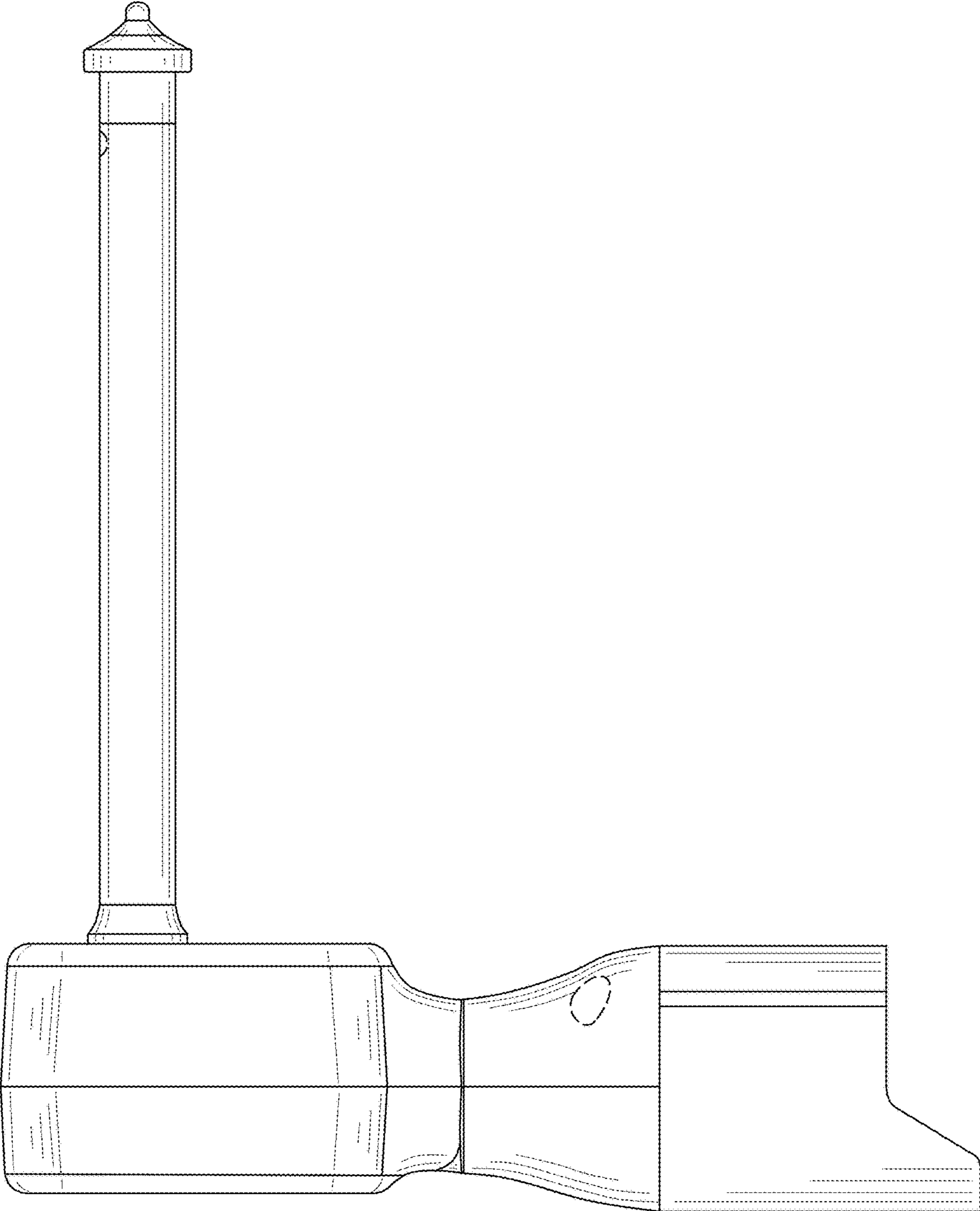


FIG. 34

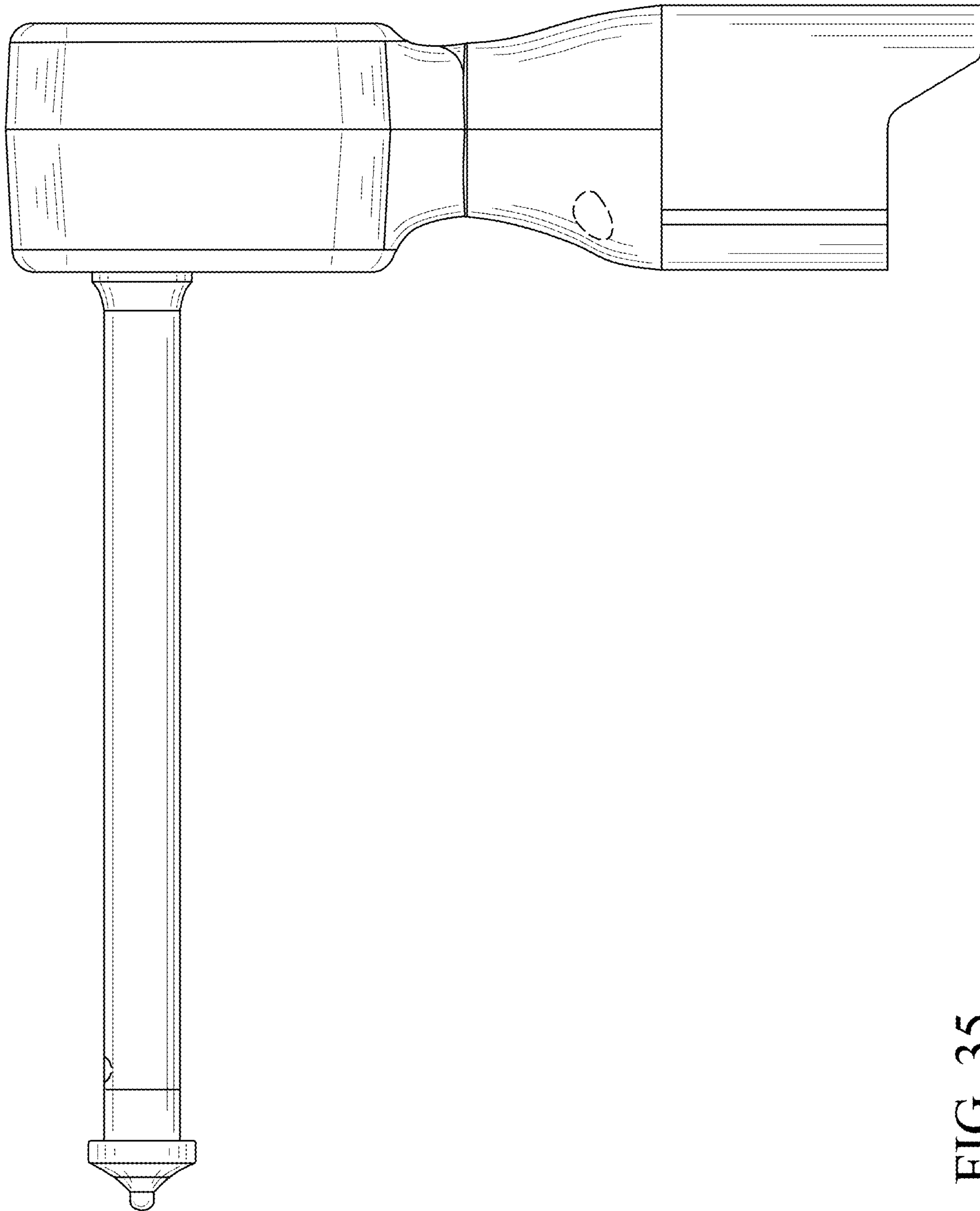


FIG. 35