

US00D914876S

(12) **United States Design Patent**
Yabe et al.

(10) **Patent No.:** **US D914,876 S**
(45) **Date of Patent:** **** Mar. 30, 2021**

(54) **CAP FOR SYRINGE**
(71) Applicant: **NIPRO CORPORATION**, Osaka (JP)
(72) Inventors: **Yukihiko Yabe**, Osaka (JP); **Minoru Honda**, Osaka (JP); **Masanobu Iwasa**, Osaka (JP)

D791,939 S * 7/2017 Turturro D24/129
D838,363 S * 1/2019 Katagiri D24/127
D839,423 S * 1/2019 Gro er D24/130
10,576,020 B2 * 3/2020 Davis A61J 1/2048
10,661,030 B1 * 5/2020 Murray A61M 5/3134
2015/0238703 A1 * 8/2015 Glocker A61M 5/344
604/198
2018/0296774 A1 * 10/2018 Cho A61M 5/3134

(**) Term: **15 Years**

FOREIGN PATENT DOCUMENTS

(21) Appl. No.: **35/507,196**

KR 30-0797492 S 5/2015
KR 30-0815777 S 9/2015

(22) Filed: **Jan. 28, 2019**

OTHER PUBLICATIONS

(80) **Hague Agreement Data**

Int. Filing Date: **Jan. 28, 2019**
Int. Reg. No.: **DM/202093**
Int. Reg. Date: **Jan. 28, 2019**
Int. Reg. Pub. Date: **Aug. 2, 2019**

“Dispense All: Easy Grip Syringe Tip Cap, Luer Lock”. Found online Apr. 20, 2020. Reference dated Aug. 14, 2019. Retrieved from https://www.amazon.com/...ge-Non-Sterile/dp/B078X2R7FZ/ref=sr_1_3?dchild=1&keywords=syringe%2Bcap&qid=1587427545&refinements=p_72%3A2661621011&mid=2661617011&sr=8-3&th=1.*

(30) **Foreign Application Priority Data**

Nov. 6, 2018 (JP) 2018-024357
Nov. 6, 2018 (JP) 2018-024358

(Continued)

Primary Examiner — Kendra Leslie Hamilton

(51) **LOC (13) Cl.** **24-02**

(57) **CLAIM**

(52) **U.S. Cl.**
USPC **D24/130; D9/453**

The ornamental design for a cap for syringe, as shown and described.

(58) **Field of Classification Search**
USPC D24/112, 113, 114, 127, 130, 131;
D9/453
CPC A61M 2005/312; A61M 2005/3107
See application file for complete search history.

DESCRIPTION

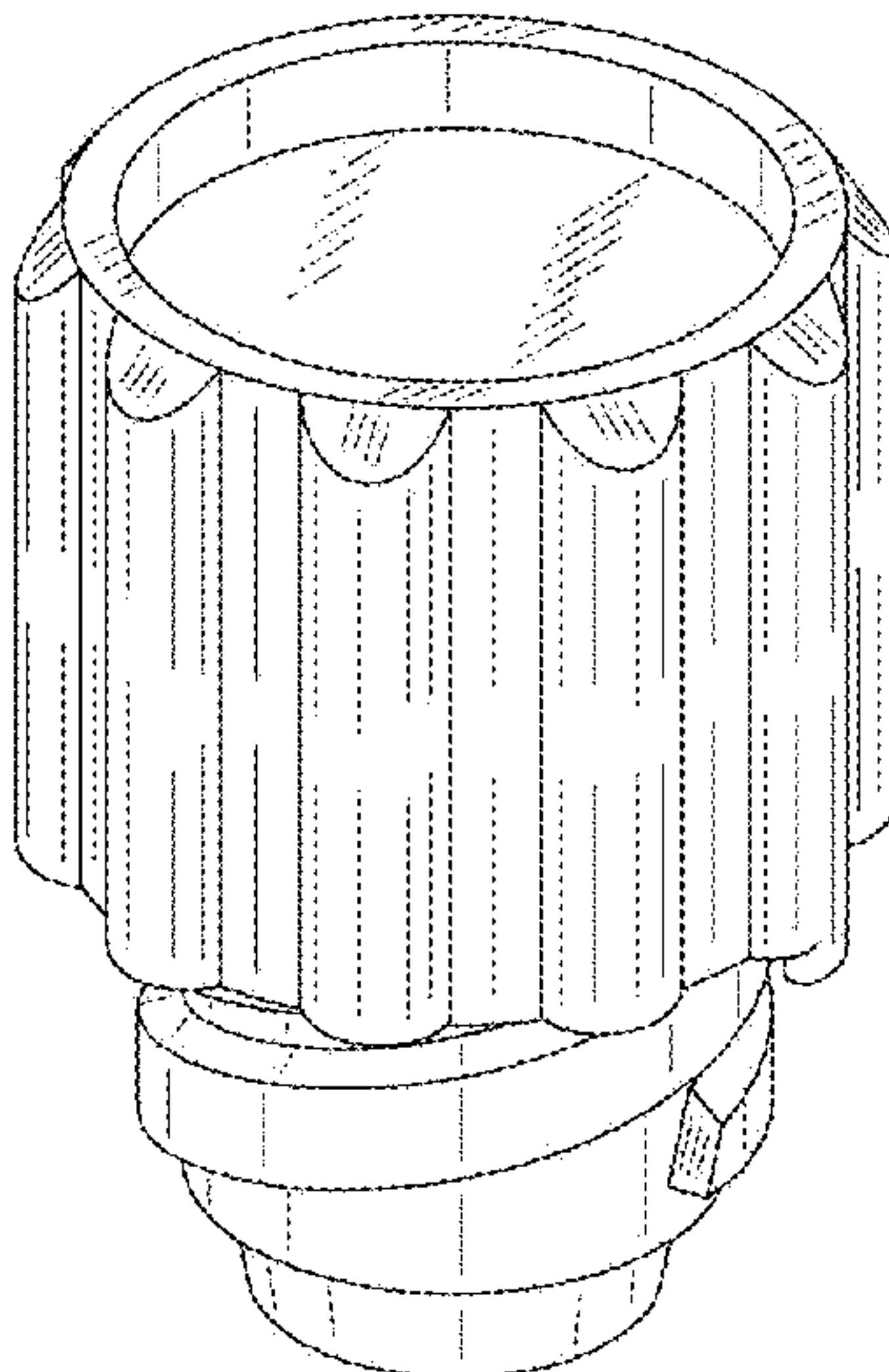
(56) **References Cited**

U.S. PATENT DOCUMENTS

D568,468 S * 5/2008 Sudo D24/130
D581,047 S * 11/2008 Koshidaka D24/130
D675,096 S * 1/2013 Obrist D9/453
D677,161 S * 3/2013 Titherington B65D 50/041
D9/453
D759,486 S * 6/2016 Ingram D9/453
D787,052 S * 5/2017 Heinz D24/130

1. Cap for syringe
1.1 is a front elevation view of a cap for syringe showing our new design;
1.2 is a rear elevation view thereof;
1.3 is a right side elevation view thereof;
1.4 is a left side elevation view thereof;
1.5 is a top plan view thereof;
1.6 is a bottom plan view thereof;
1.7 is a front perspective view thereof; and
1.8 is a cross-sectional view thereof along the line A-A of **Reproduction 1.5**.

1 Claim, 8 Drawing Sheets



(56)

References Cited

OTHER PUBLICATIONS

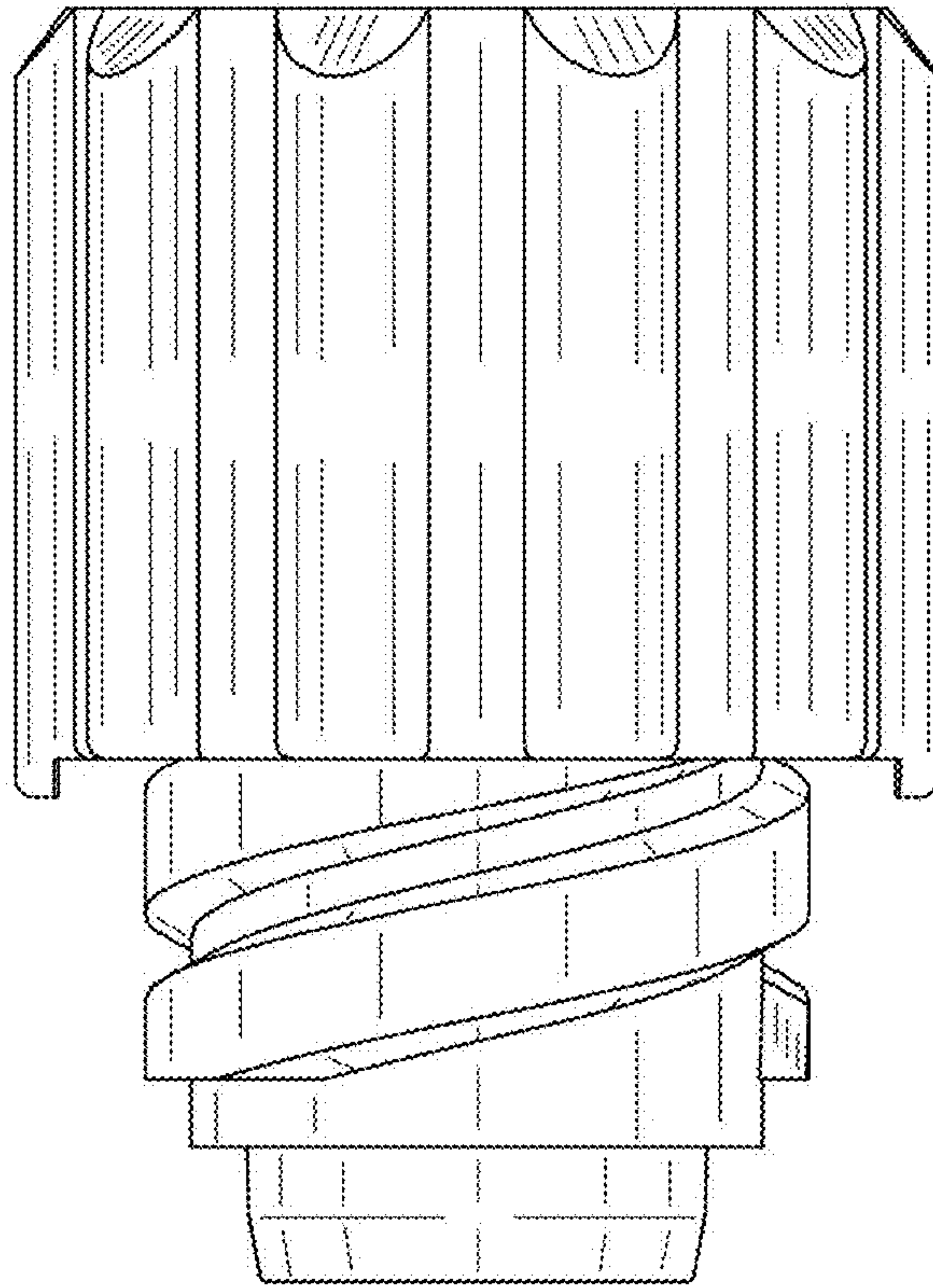
“Braun: Tamper Evident Luer Lock Syringe Cap”. Found online Apr. 20, 2020 at ebay.com. Reference dated Dec. 11, 2015. Retrieved from https://tineye.com/search/fd3591f4319e5389c220310c6a8455661396cd5e?page=1&sort=crawl_date&order=asc&extension_ver=chrome-1.3.0&ia=ebay.com.*

“HealthCareLogistics: Tamper-Evident Caps for Luer Lock Syringes”. Found online Apr. 20, 2020 at devineexpress.com. Reference dated Aug. 28, 2017. Retrieved from https://www.devineexpress.com/products/sterile-tamper-evident-caps-for-luer-lock-syringes-17361r?variant=12905882877995&cmp_id=1636353567&adg_id=60807033822&k.*

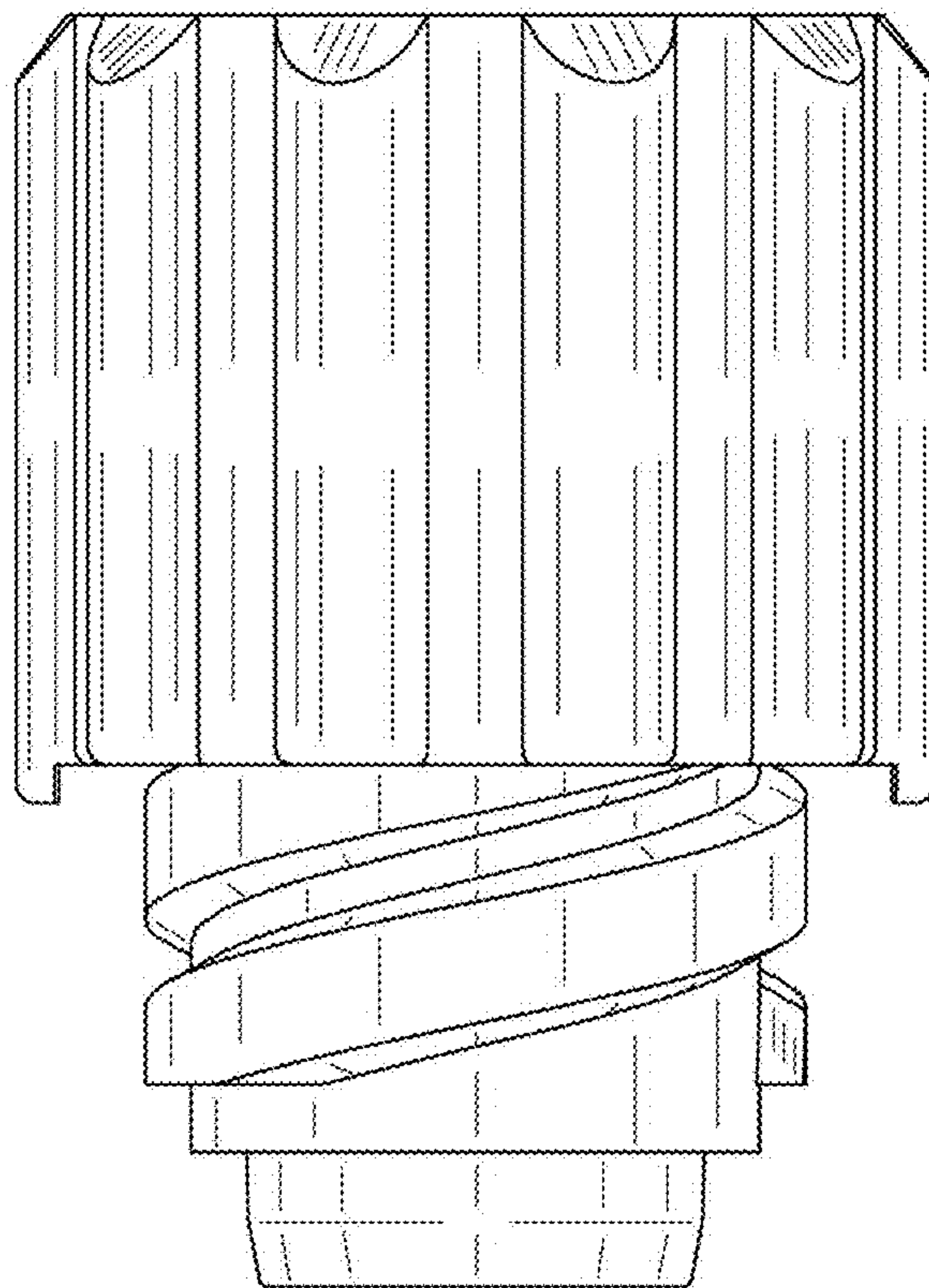
Japanese Office Action dated Oct. 1, 2019 for Application No. 2018-024358, with an English translation.

* cited by examiner

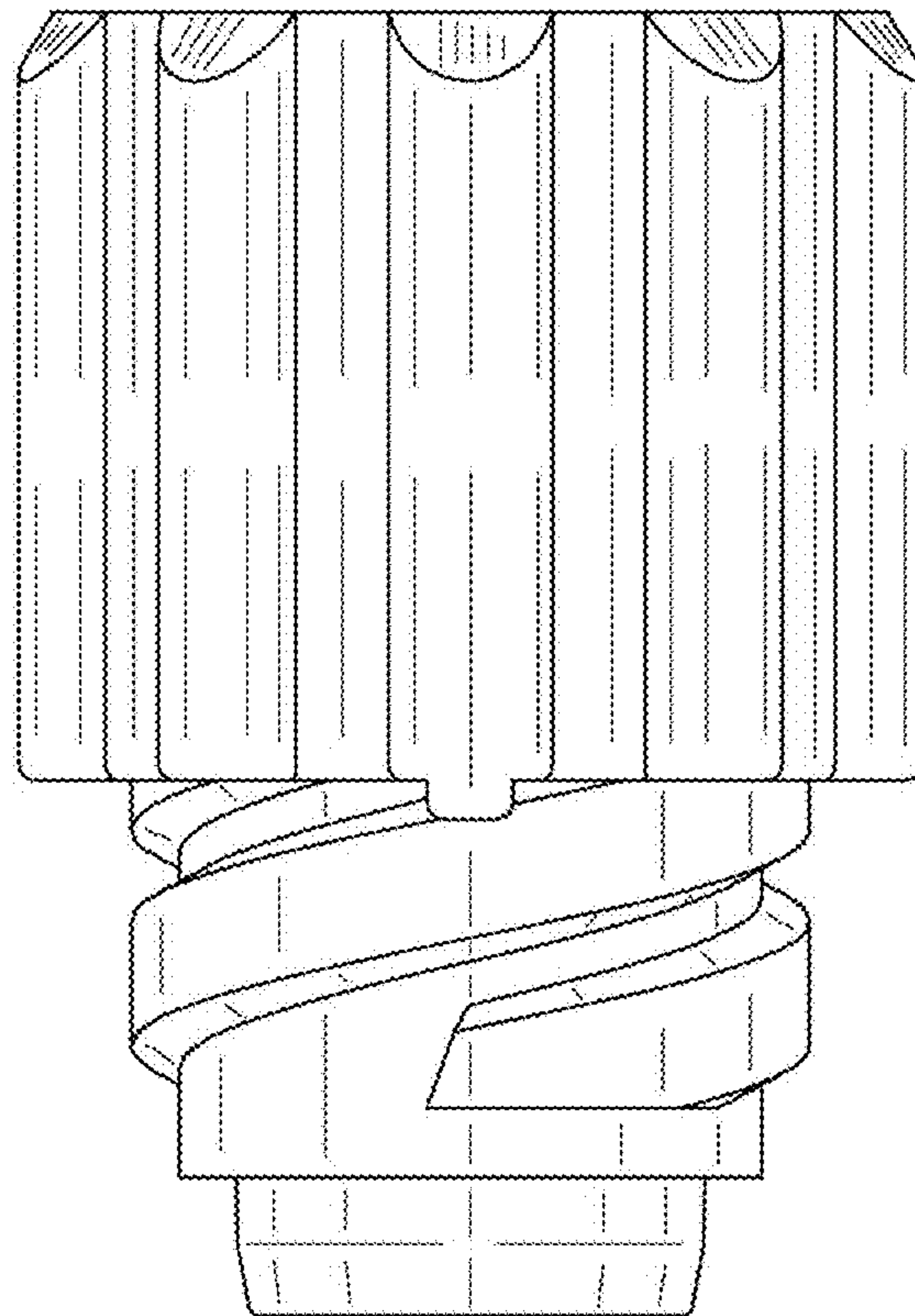
1.1



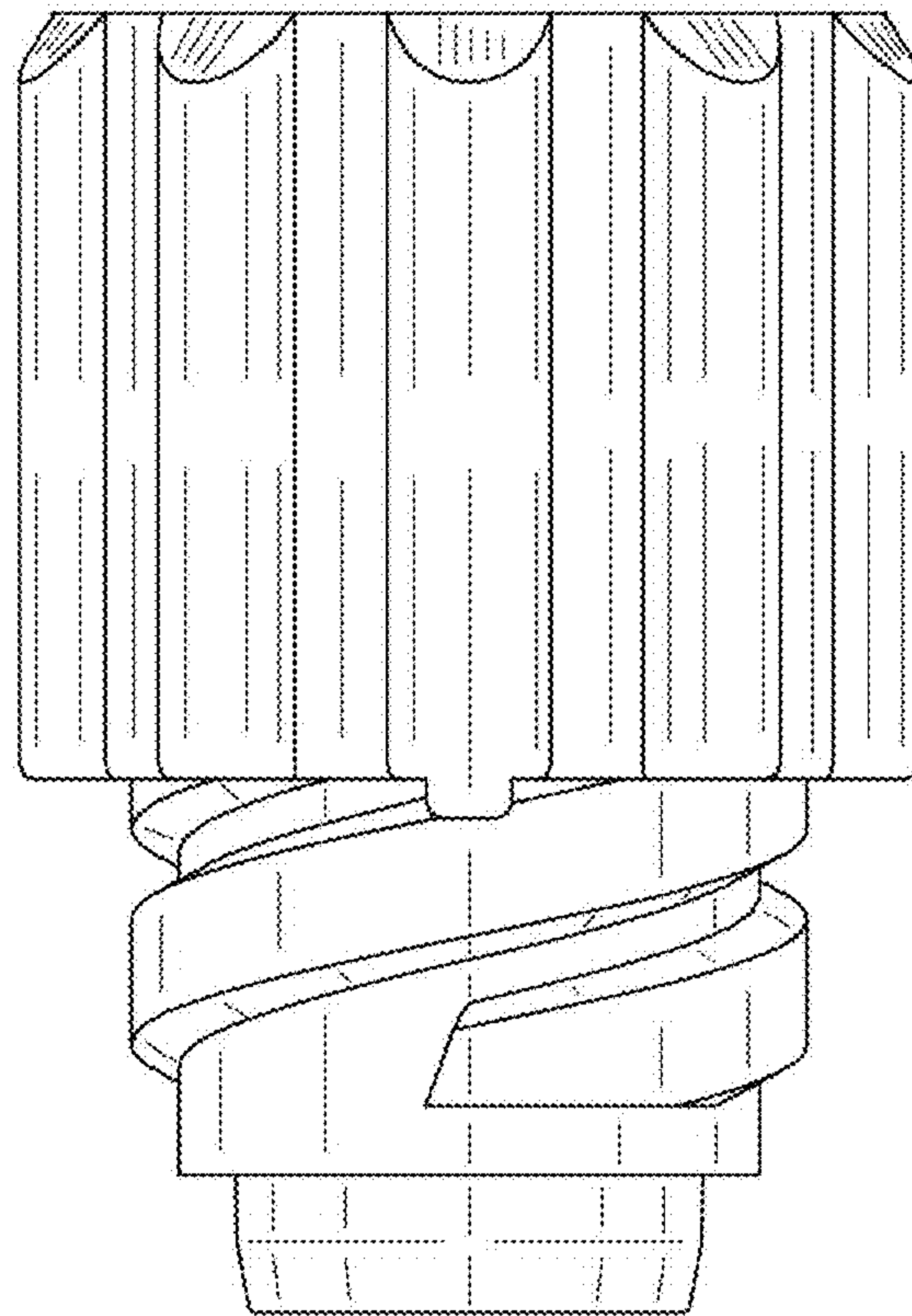
1.2



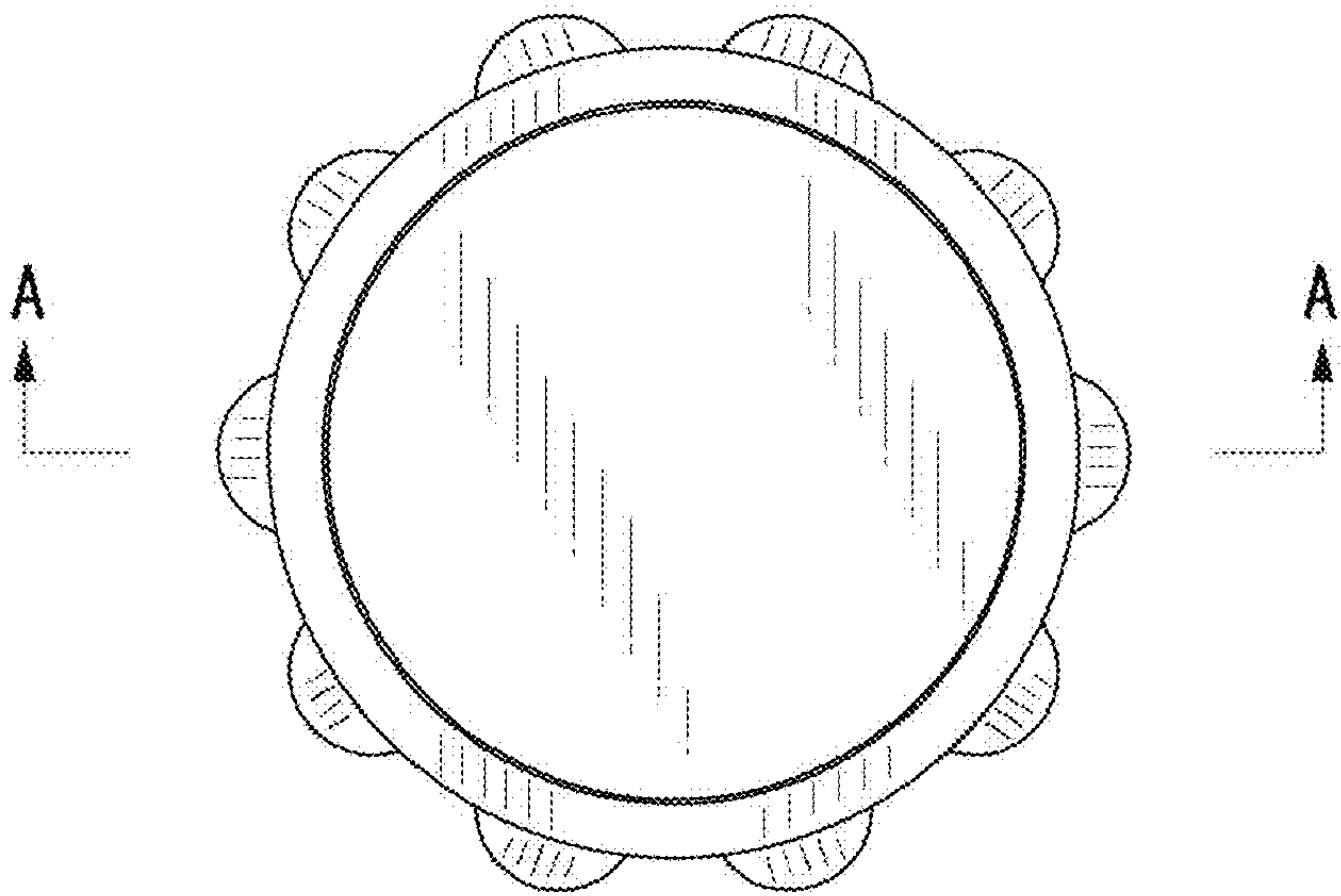
1.3



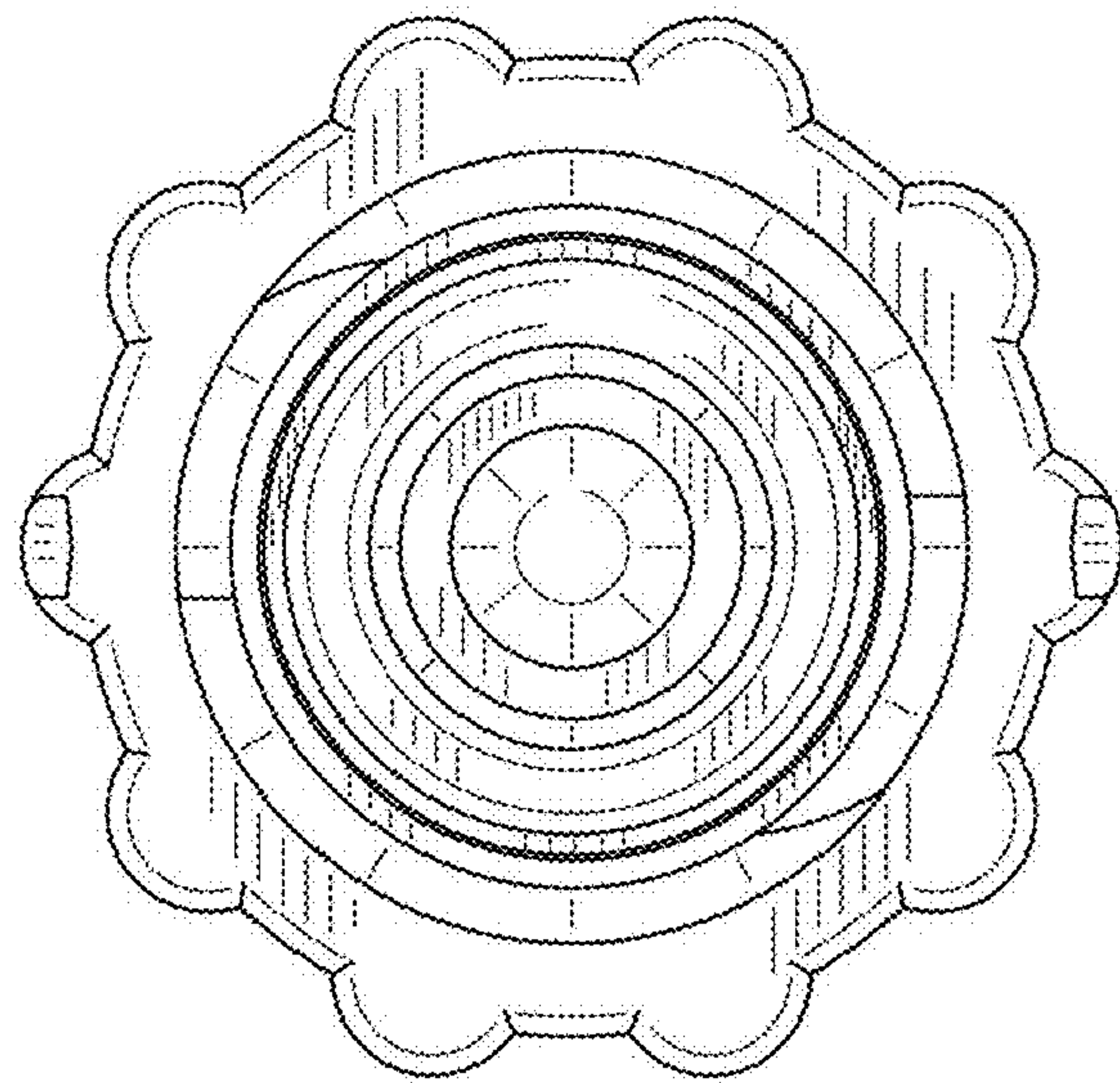
1.4



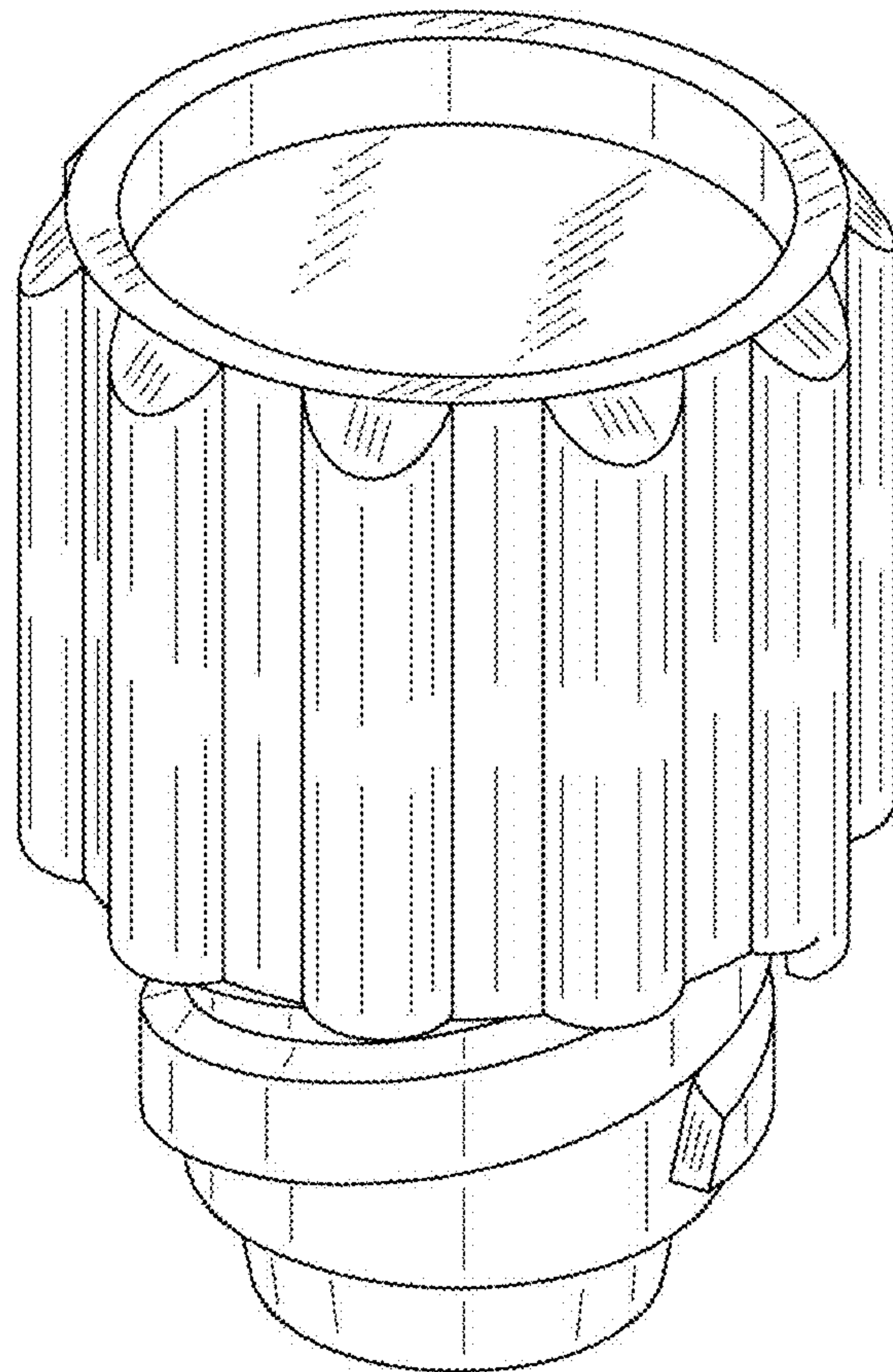
1.5



1.6



1.7



1.8

