



US00D914874S

(12) **United States Design Patent** (10) **Patent No.:** **US D914,874 S**
Shaw et al. (45) **Date of Patent:** **** Mar. 30, 2021**

(54) **SYRINGE BARREL**
(71) Applicants: **Retractable Technologies, Inc.**, Little Elm, TX (US); **Thomas J. Shaw**, Frisco, TX (US)
(72) Inventors: **Thomas J. Shaw**, Frisco, TX (US); **Mark Small**, Heavener, OK (US)
(73) Assignee: **RETRACTABLE TECHNOLOGIES, INC.**, Little Elm, TX (US)
(**) Term: **15 Years**
(21) Appl. No.: **29/697,958**
(22) Filed: **Jul. 12, 2019**
(51) **LOC (13) Cl.** **24-02**
(52) **U.S. Cl.**
USPC **D24/130**
(58) **Field of Classification Search**
USPC D24/127-131, 112-114, 133, 186; 606/181, 185; 604/264, 523-528, 272, 604/187, 158, 164.01-164.11, 181, 184, 604/227; 600/101, 139, 143; 128/200.24, 207.14, 207.15
CPC A61M 5/178; A61M 3/00; A61M 5/20; A61M 5/31; A61M 5/3146; A61M 5/3129; A61M 5/3148; A61M 5/315
See application file for complete search history.

(56) **References Cited**
U.S. PATENT DOCUMENTS
2,464,840 A * 3/1949 Fogg A61M 5/31 29/402.11
4,747,830 A * 5/1988 Gloyer A61M 5/322 604/110
D302,726 S 8/1989 Schwobel
4,985,020 A * 1/1991 Kasuya A61M 5/3213 604/192
5,437,647 A 8/1995 Firth et al.

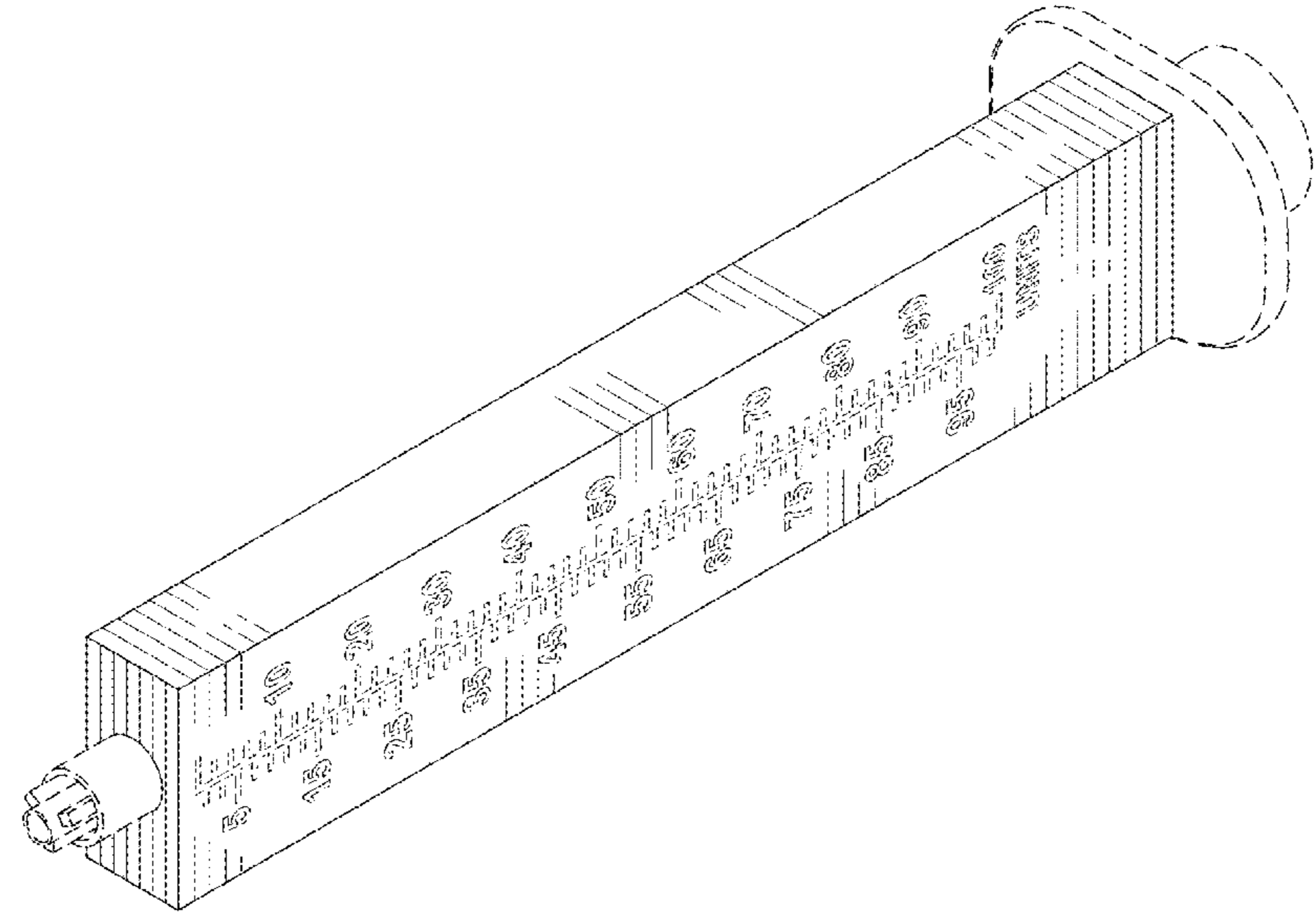
D377,687 S 1/1997 Udovch
D383,205 S * 9/1997 Pagay D24/112
5,782,804 A 7/1998 McMahon
5,985,962 A * 11/1999 Knors C08L 23/0815 524/101
D420,129 S 2/2000 McMahon
6,120,481 A * 9/2000 Rennert A61M 5/3129 604/186
D460,820 S * 7/2002 Niedospial, Jr. D24/130
6,514,261 B1 2/2003 Randall et al.
D635,249 S * 3/2011 Becker D24/114
D639,337 S * 6/2011 Hung D19/117
D650,903 S * 12/2011 Kosinski D24/130
8,287,491 B2 * 10/2012 Burns A61M 5/3202 604/110
D673,670 S 1/2013 Linnenschmidt
8,512,279 B2 * 8/2013 Klein A61M 5/31 604/93.01
8,540,670 B2 * 9/2013 Wayman A61M 5/5066 604/110
D693,003 S 11/2013 Wang

(Continued)
Primary Examiner — Nathan M Johnston
(74) *Attorney, Agent, or Firm* — Monty L Ross PLLC; Monty Ross

(57) **CLAIM**
The ornamental design for a syringe barrel, as shown and described.

DESCRIPTION
FIG. 1 is a front perspective view;
FIG. 2 is a front elevation view;
FIG. 3 is a rear elevation view;
FIG. 4 is a right side view;
FIG. 5 is a left side view;
FIG. 6 is a top view; and,
FIG. 7 is a bottom view.
The broken lines show portions of the design that form no part of the claimed design.

1 Claim, 4 Drawing Sheets



(56)

References Cited

U.S. PATENT DOCUMENTS

D726,305	S *	4/2015	Furukawa	D24/114
9,044,552	B2	6/2015	Schraga	
D793,549	S	8/2017	Defusco	
D793,550	S	8/2017	Defusco	
D805,199	S	12/2017	Chen et al.	
D815,732	S	4/2018	Mills et al.	
D823,457	S	7/2018	Shaw et al.	
D829,891	S	10/2018	Shaw et al.	
D832,423	S	10/2018	Ishida	
D835,265	S	12/2018	Inoue	
D836,772	S *	12/2018	Nandi	D24/114
D838,842	S *	1/2019	Shaw	D24/114
D849,938	S	5/2019	Gloria Bello et al.	
D851,757	S *	6/2019	Nandi	D24/114
D853,560	S	7/2019	Malcolm et al.	
D864,413	S *	10/2019	Ratner	D24/224
D876,620	S *	2/2020	Ho	D24/112
D888,233	S *	6/2020	Zhang	D24/114
2003/0097096	A1 *	5/2003	Niedospial, Jr.	A61M 5/3129 604/218
2003/0171719	A1 *	9/2003	Veillon, Jr.	A61M 39/20 604/187
2008/0114306	A1	5/2008	Bare	
2010/0181218	A1 *	7/2010	Beccaro	A61F 9/0017 206/365
2012/0022464	A1	1/2012	Zivkovic et al.	
2013/0023826	A1	1/2013	Ishida	
2014/0066862	A1 *	3/2014	Schweers	A61M 5/3129 604/227
2015/0196714	A1	7/2015	Creaturo	
2017/0049972	A1 *	2/2017	Persons	A61M 5/3297
2019/0298929	A1 *	10/2019	Shaw	A61M 5/3234

* cited by examiner

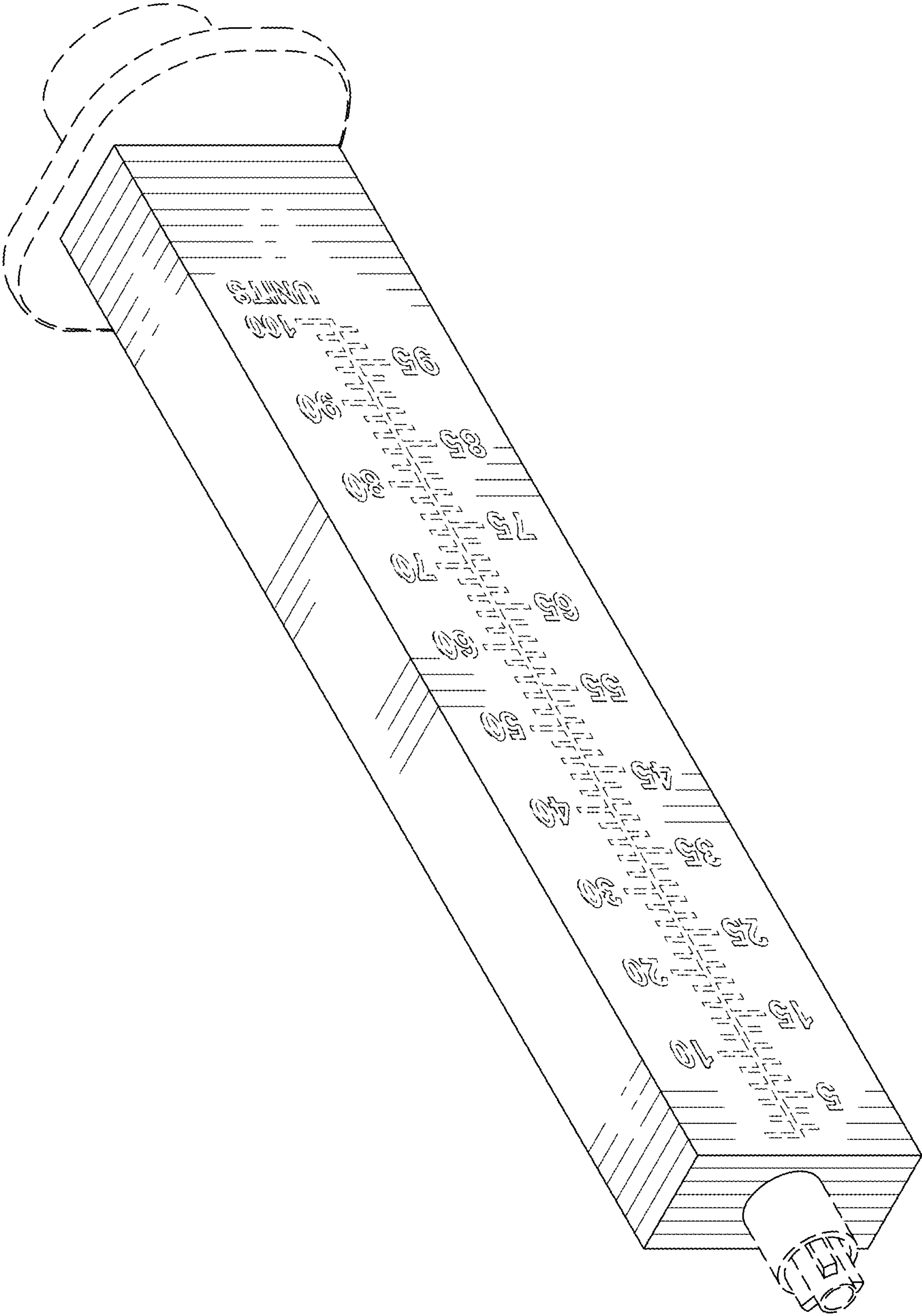


FIG. 1

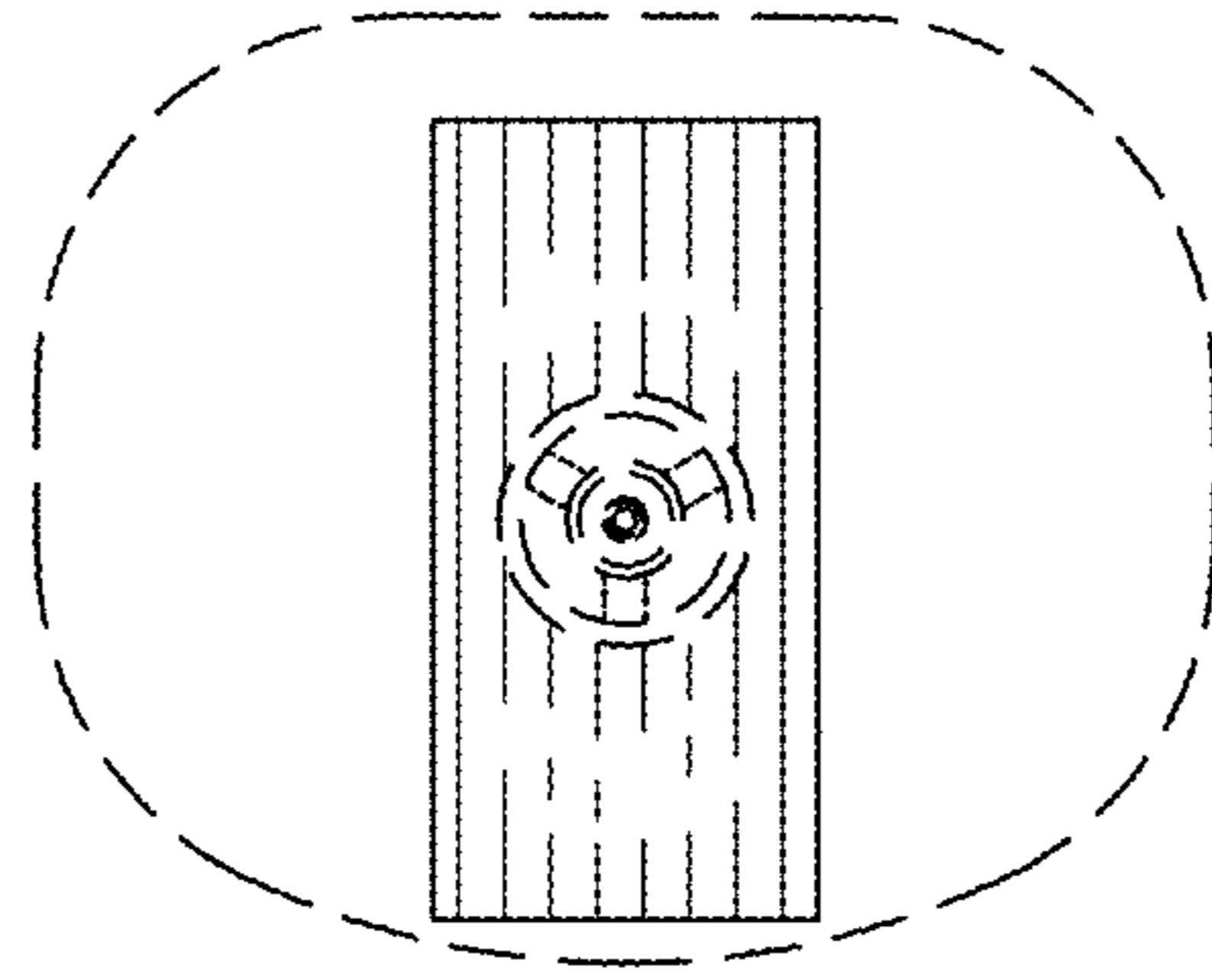


FIG. 2

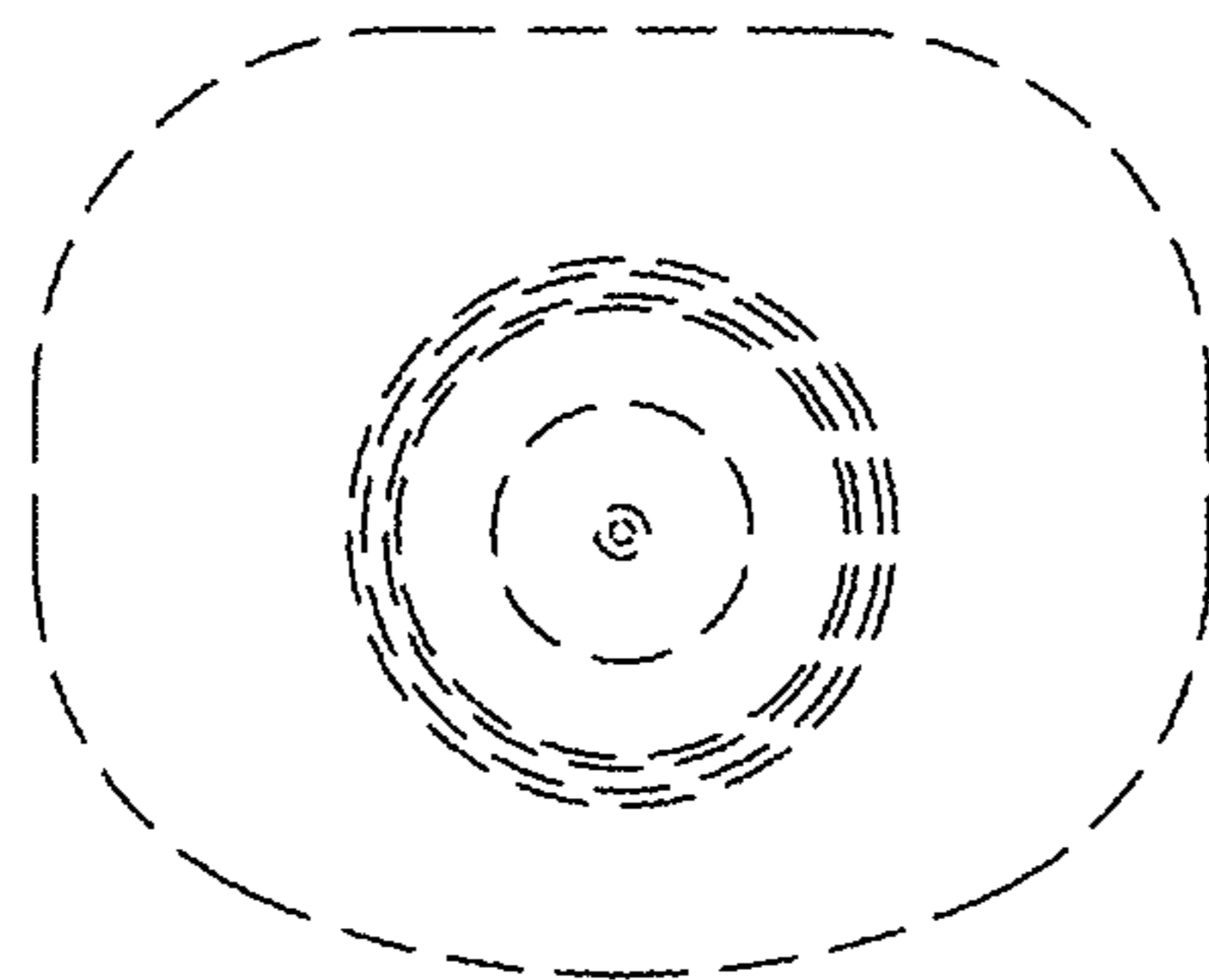


FIG. 3

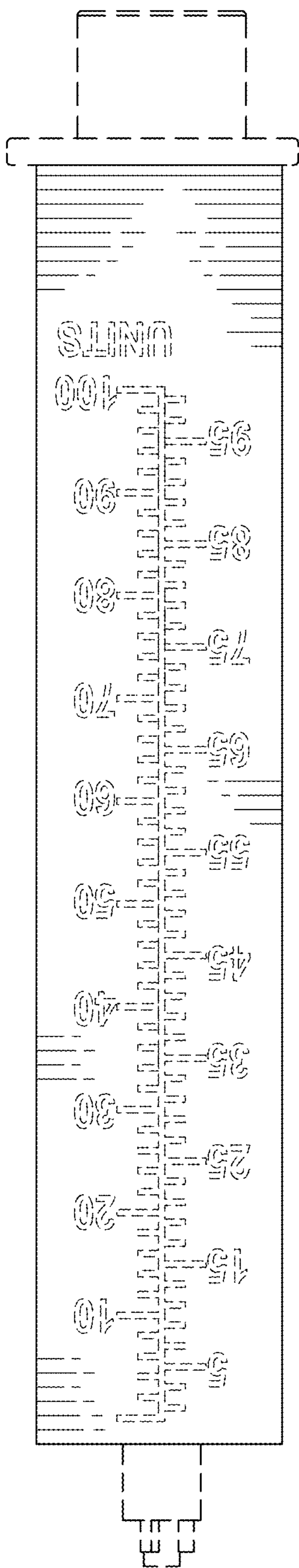


FIG. 4

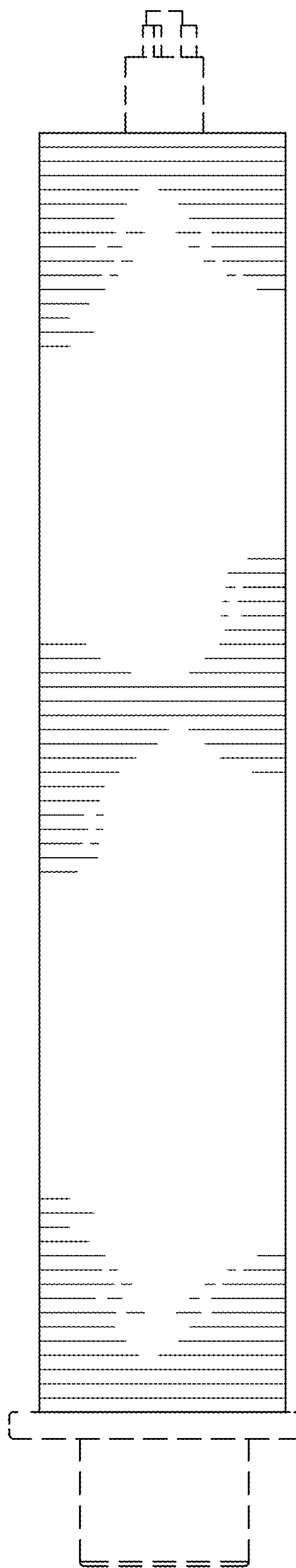


FIG. 5

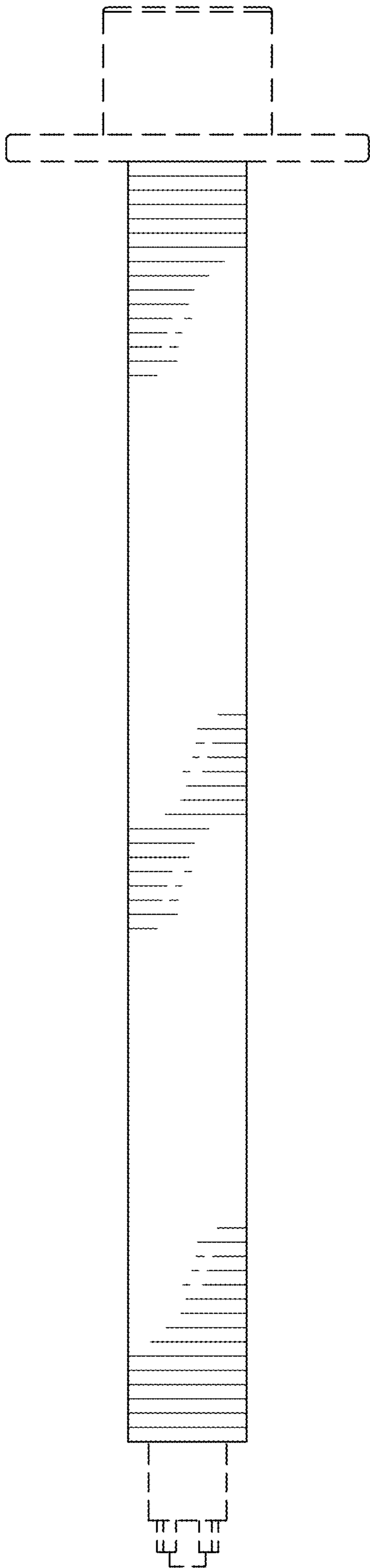


FIG. 6

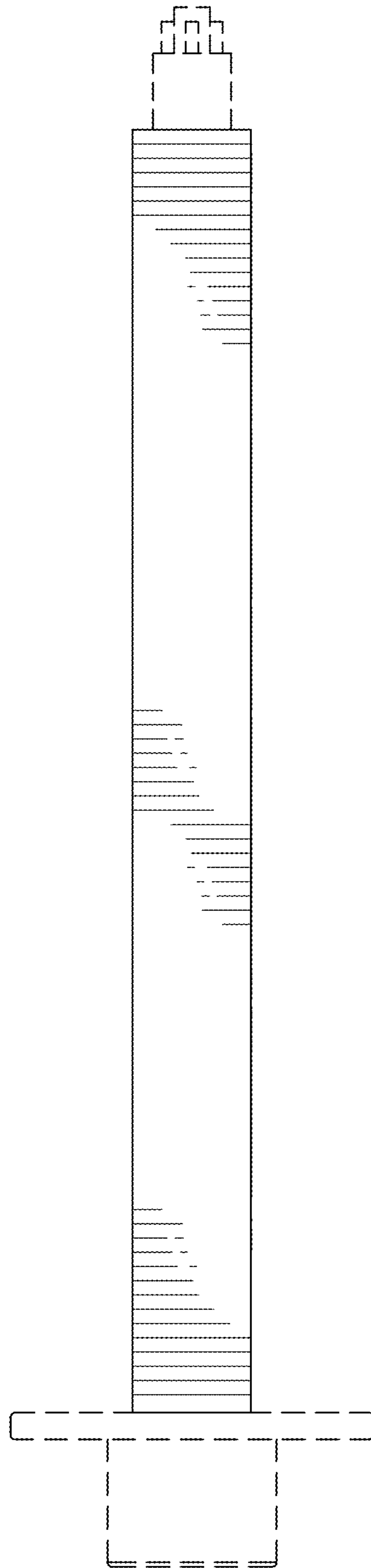


FIG. 7