



US00D914872S

(12) **United States Design Patent**
Shaw et al.

(10) **Patent No.:** **US D914,872 S**

(45) **Date of Patent:** **** Mar. 30, 2021**

- (54) **SYRINGE BARREL**
- (71) Applicants: **Retractable Technologies, Inc.**, Little Elm, TX (US); **Thomas J. Shaw**, Frisco, TX (US)
- (72) Inventors: **Thomas J. Shaw**, Frisco, TX (US); **Mark Small**, Heavener, OK (US)
- (73) Assignee: **RETRACTABLE TECHNOLOGIES, INC.**, Little Elm, TX (US)
- (**) Term: **15 Years**
- (21) Appl. No.: **29/697,946**
- (22) Filed: **Jul. 12, 2019**
- (51) **LOC (13) Cl.** **24-02**
- (52) **U.S. Cl.**
USPC **D24/130**
- (58) **Field of Classification Search**
USPC D24/127-131, 112-114, 133, 186; 606/181, 185; 604/264, 523-528, 272, 604/187, 158, 164.01-164.11, 181, 184, 604/227; 600/101, 139, 143; 128/200.24, 207.14, 207.15
CPC A61M 5/178; A61M 3/00; A61M 5/20; A61M 5/31; A61M 5/3146; A61M 5/3129; A61M 5/3148; A61M 5/315
See application file for complete search history.

- D377,687 S 1/1997 Udovch
- D383,205 S * 9/1997 Pagay D24/112
- 5,782,804 A 7/1998 McMahon
- 5,985,962 A * 11/1999 Knors C08L 23/0815
524/101
- D420,129 S 2/2000 McMahon
- 6,120,481 A * 9/2000 Rennert A61M 5/3129
604/186
- D460,820 S * 7/2002 Niedospial, Jr. D24/130
- 6,514,261 B1 2/2003 Randall et al.
- D635,249 S * 3/2011 Becker D24/114
- D650,903 S * 12/2011 Kosinski D24/130
- 8,287,491 B2 * 10/2012 Burns A61M 5/3202
604/110
- D673,670 S 1/2013 Linnenschmidt
- 8,512,279 B2 * 8/2013 Klein A61M 5/31
604/93.01
- 8,540,670 B2 * 9/2013 Wayman A61M 5/5066
604/110
- D693,003 S 11/2013 Wang
- D726,305 S * 4/2015 Furukawa D24/114

(Continued)

Primary Examiner — Nathan M Johnston
(74) *Attorney, Agent, or Firm* — Monty L Ross PLLC;
Monty Ross

(57) **CLAIM**

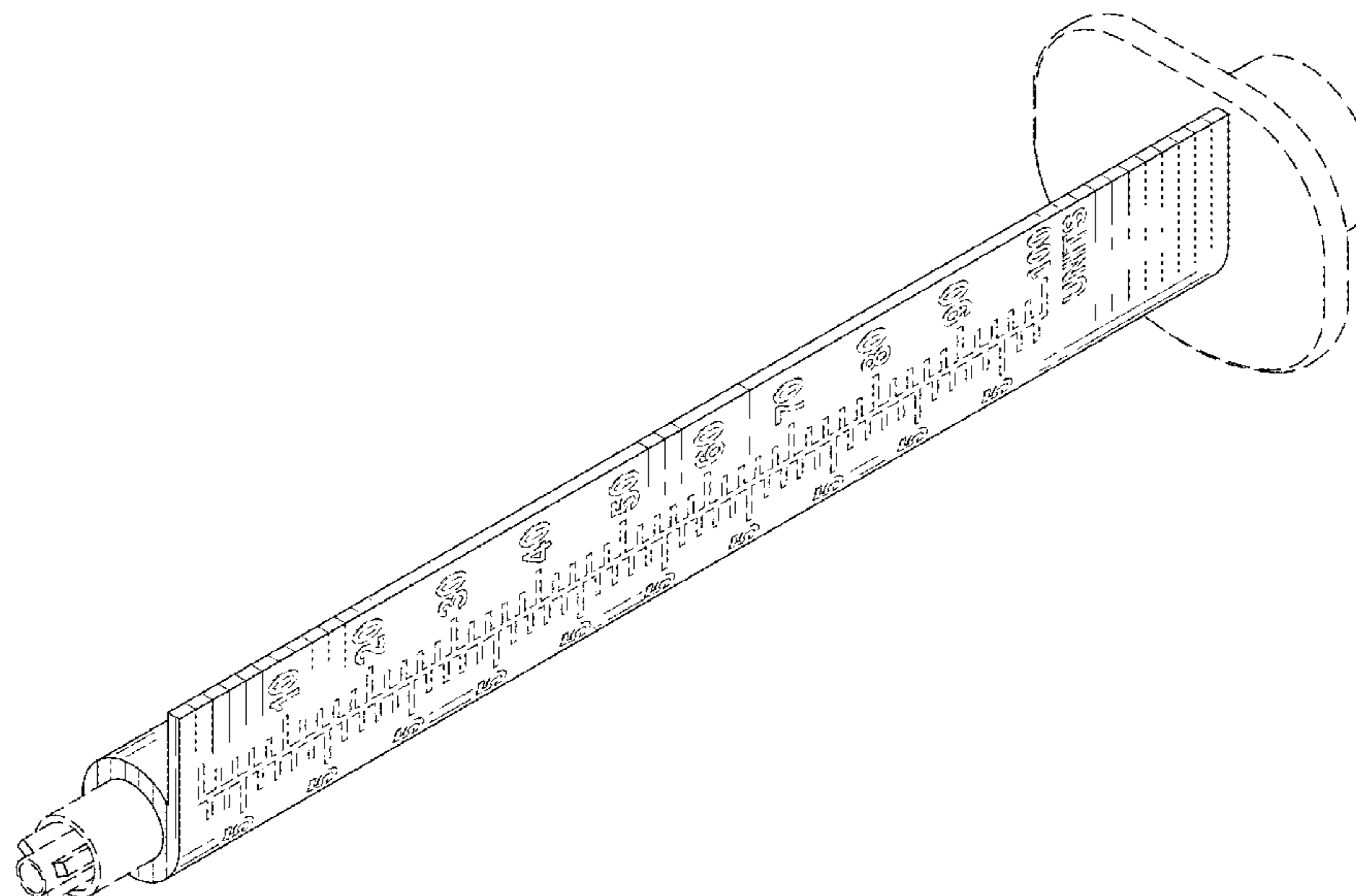
The ornamental design for a syringe barrel, as shown and described.

DESCRIPTION

FIG. 1 is a front perspective view;
FIG. 2 is a front elevation view;
FIG. 3 is a rear elevation view;
FIG. 4 is a right side view;
FIG. 5 is a left side view;
FIG. 6 is a top view; and,
FIG. 7 is a bottom view.
The broken lines show portions of the design that form no part of the claimed design.

1 Claim, 4 Drawing Sheets

- (56) **References Cited**
U.S. PATENT DOCUMENTS
- 2,464,840 A * 3/1949 Fogg A61M 5/31
29/402.11
- 4,747,830 A * 5/1988 Gloyer A61M 5/322
604/110
- D302,726 S 8/1989 Schwobel
- 4,985,020 A * 1/1991 Kasuya A61M 5/3213
604/192
- 5,437,647 A 8/1995 Firth et al.



(56)

References Cited

U.S. PATENT DOCUMENTS

9,044,552	B2	6/2015	Schraga	
D793,549	S	8/2017	Defusco	
D793,550	S	8/2017	Defusco	
D805,199	S	12/2017	Chen et al.	
D815,732	S	4/2018	Mills et al.	
D823,457	S	7/2018	Shaw et al.	
D829,891	S	10/2018	Shaw et al.	
D832,423	S	10/2018	Ishida	
D835,265	S	12/2018	Inoue	
D836,772	S *	12/2018	Nandi	D24/114
D838,842	S *	1/2019	Shaw	D24/114
D849,938	S	5/2019	Gloria Bello et al.	
D851,757	S *	6/2019	Nandi	D24/114
D853,560	S	7/2019	Malcolm et al.	
D876,620	S *	2/2020	Ho	D24/112
D888,233	S *	6/2020	Zhang	D24/114
2003/0171719	A1 *	9/2003	Veillon, Jr.	A61M 39/20 604/187
2006/0100591	A1 *	5/2006	Alheidt	A61M 5/3293 604/228
2008/0114306	A1	5/2008	Bare	
2010/0181218	A1 *	7/2010	Beccaro	A61F 9/0017 206/365
2012/0022464	A1	1/2012	Zivkovic et al.	
2013/0023826	A1	1/2013	Ishida	
2013/0144260	A1 *	6/2013	Dewoolfson	A61K 38/45 604/506
2014/0066862	A1 *	3/2014	Schweers	A61M 5/3129 604/227
2015/0196714	A1	7/2015	Creaturo	
2017/0049972	A1 *	2/2017	Persons	A61M 5/3297
2019/0298928	A1 *	10/2019	Shaw	A61M 5/3202
2019/0298929	A1 *	10/2019	Shaw	A61M 5/3234

* cited by examiner

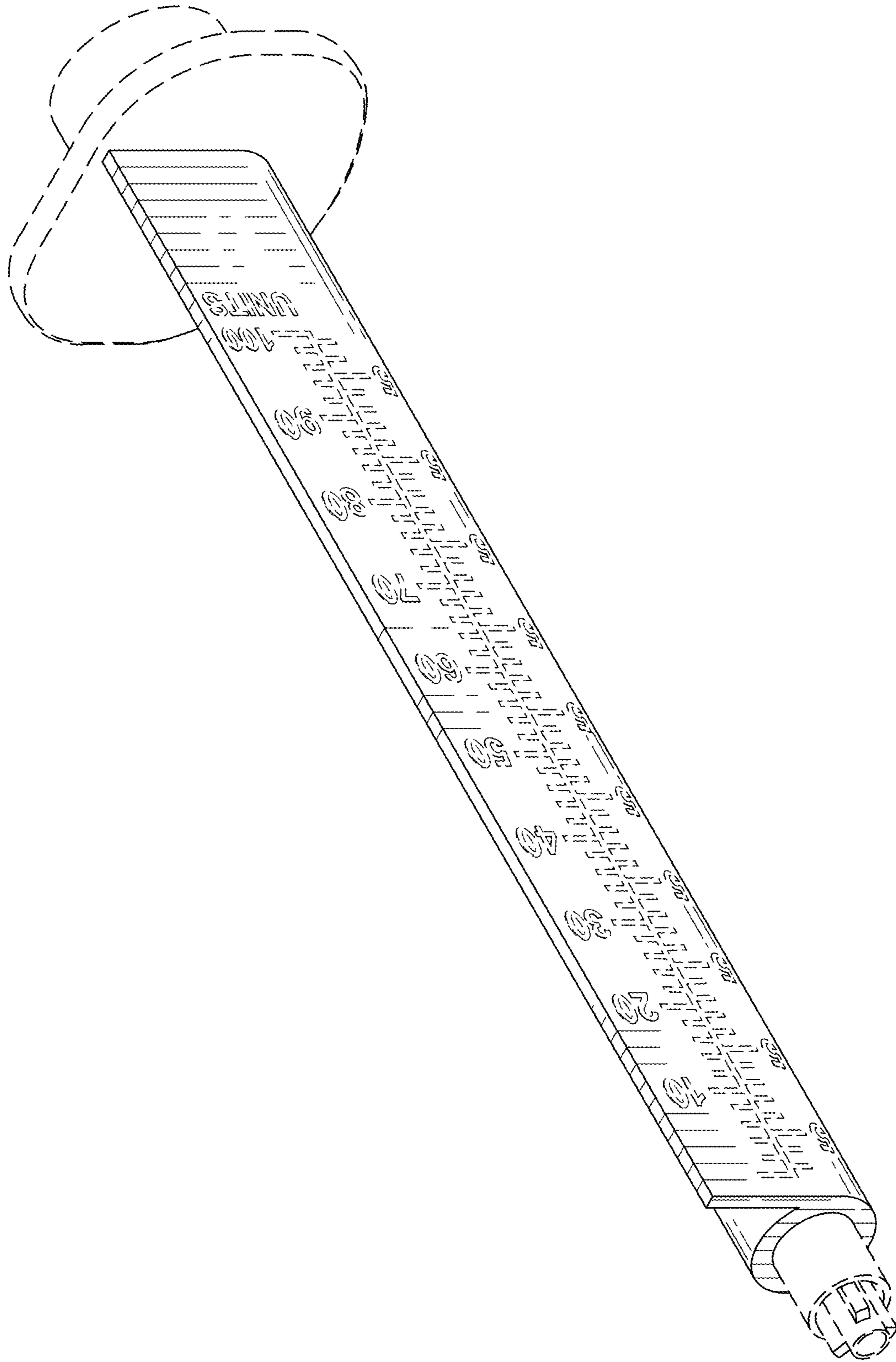


FIG. 1

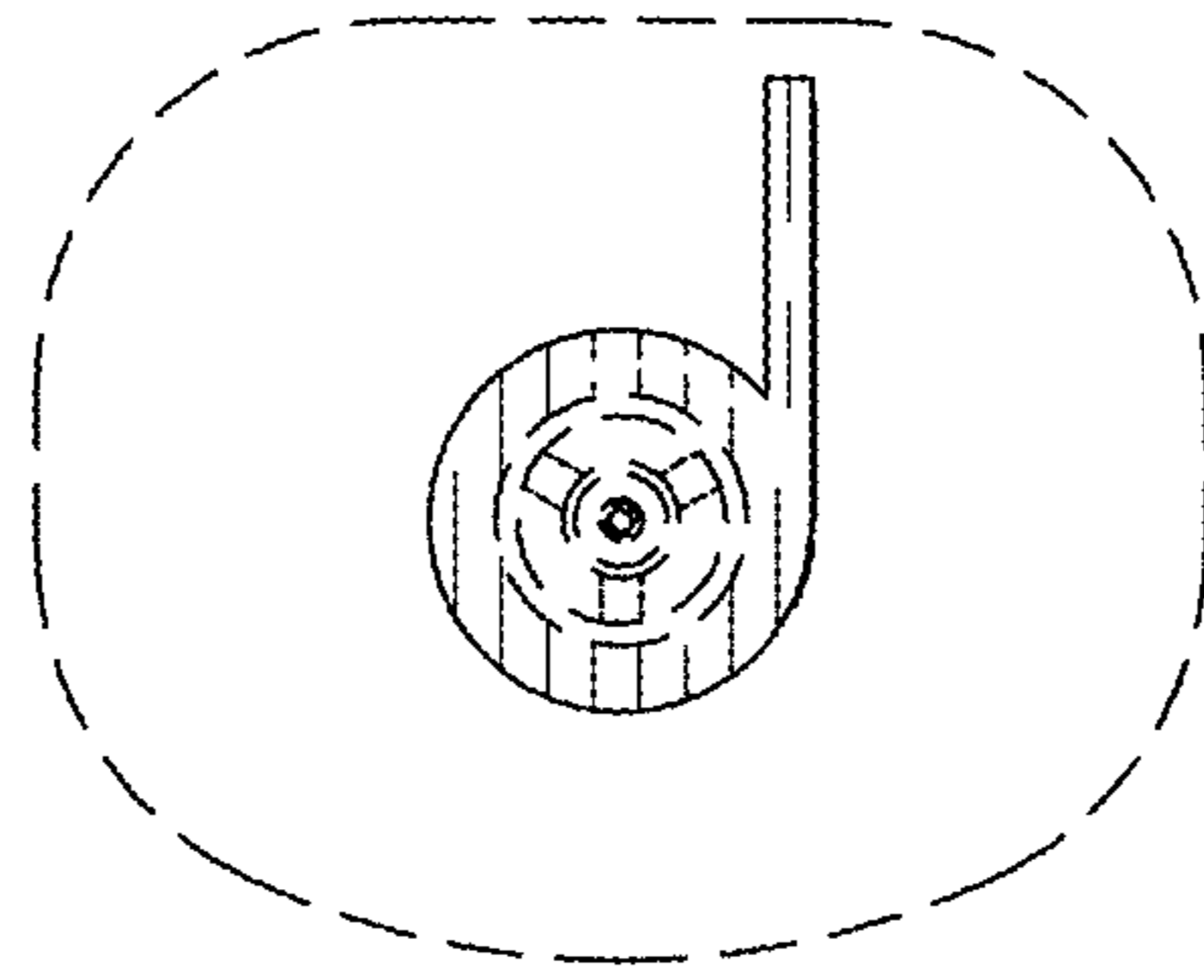


FIG. 2

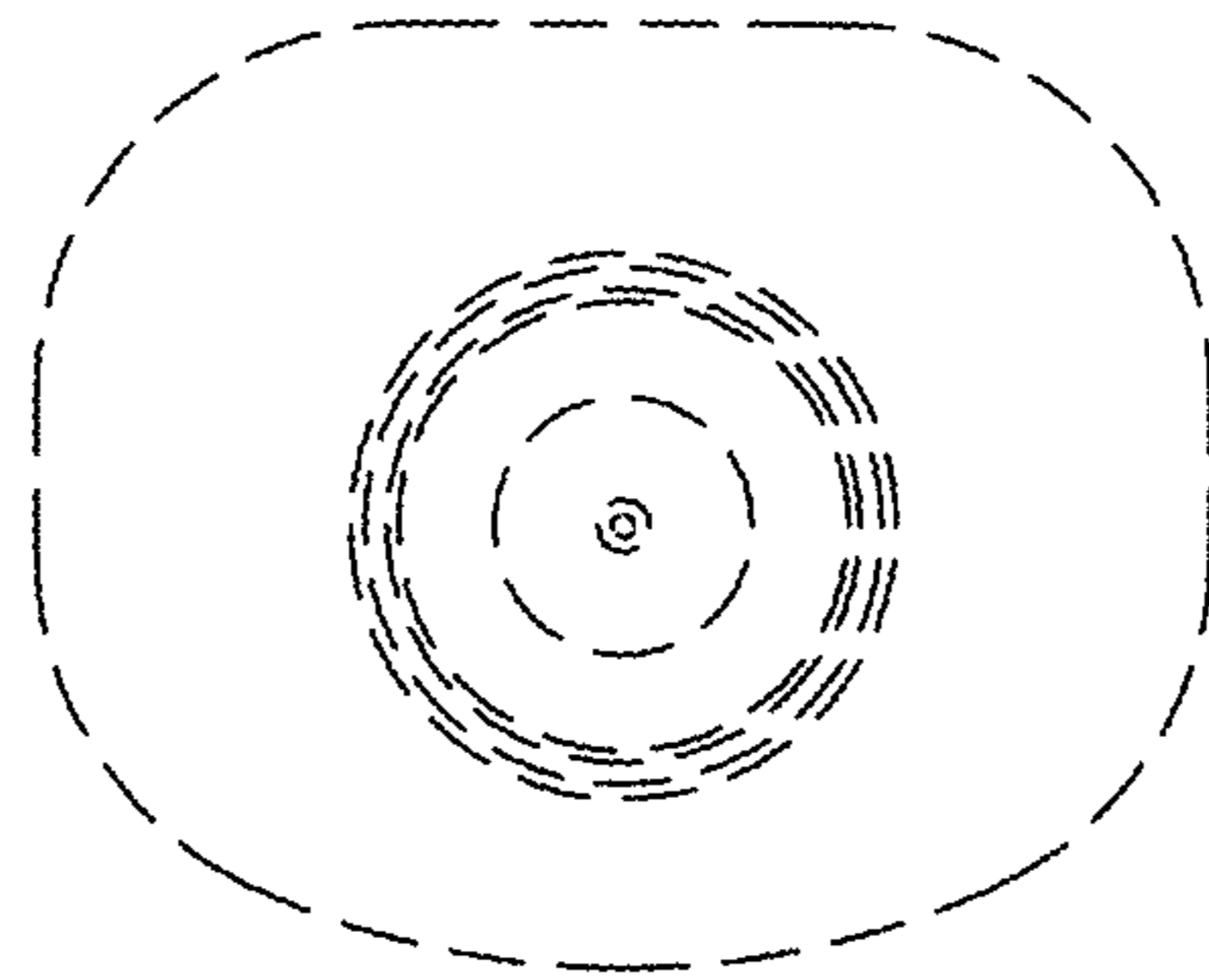


FIG. 3

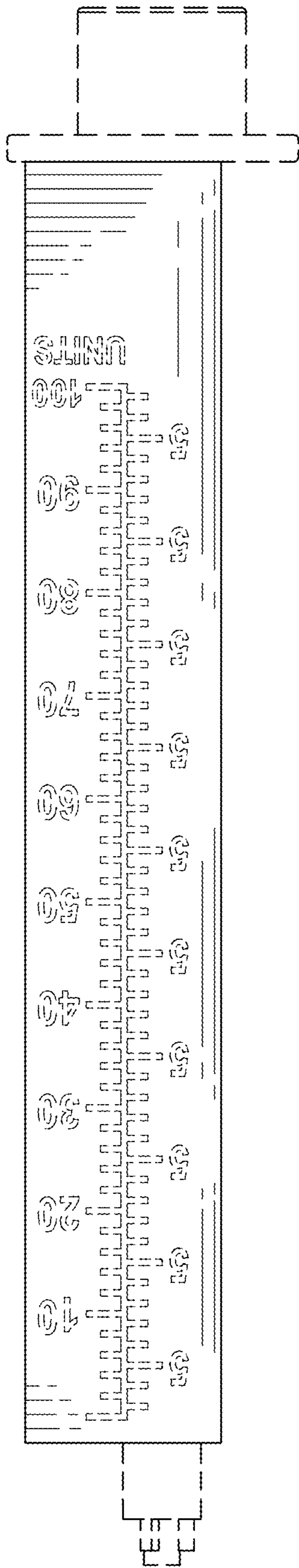


FIG. 4

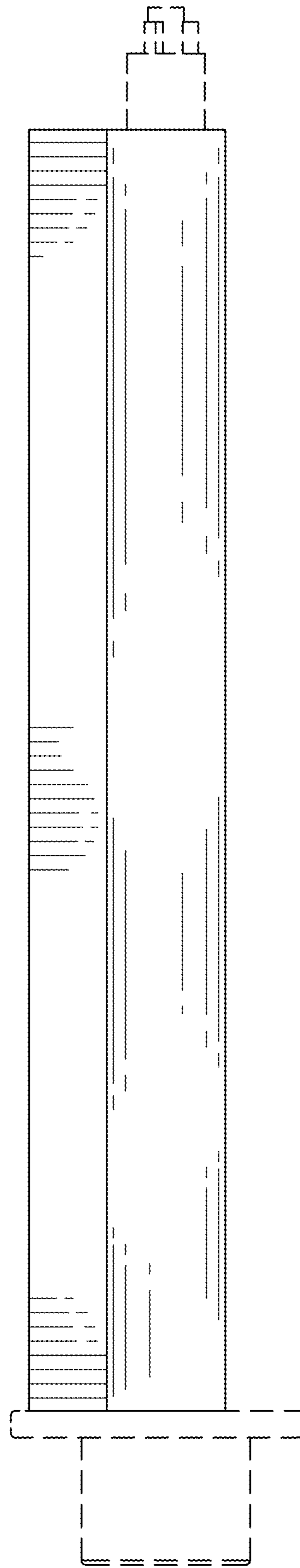


FIG. 5

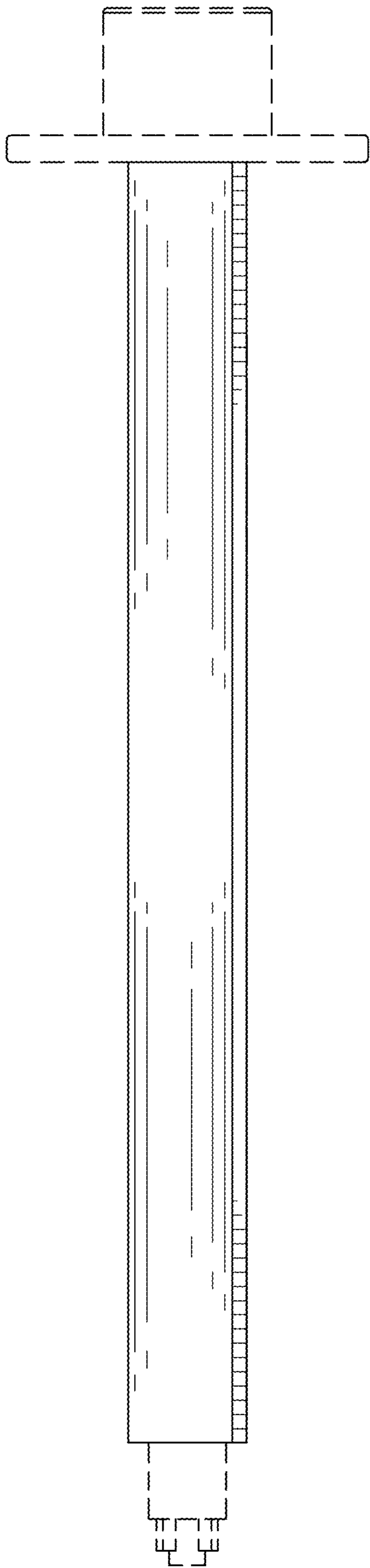


FIG. 6

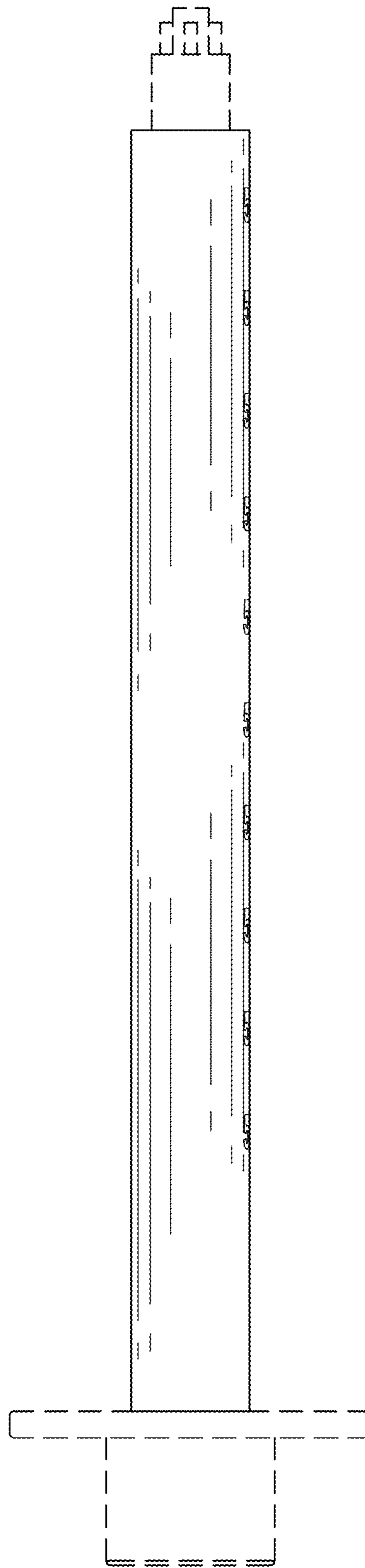


FIG. 7