



US00D914870S

(12) **United States Design Patent**
Zhang et al.

(10) **Patent No.:** **US D914,870 S**
(45) **Date of Patent:** **** Mar. 30, 2021**

- (54) **ENEMA BUCKET DEVICE**
- (71) Applicant: **Ningbo Albert Novosino Co., Ltd,**
Ningbo (CN)
- (72) Inventors: **Yonggui Zhang,** Ningbo (CN); **Haibo Hu,** Ningbo (CN)
- (73) Assignee: **Ningbo Albert Novosino Co., Ltd.,**
Ningbo (CN)
- (**) Term: **15 Years**
- (21) Appl. No.: **29/703,516**
- (22) Filed: **Aug. 28, 2019**
- (30) **Foreign Application Priority Data**
Mar. 31, 2019 (CN) 201920422478.1
Jun. 19, 2019 (CN) 201930319840.8
- (51) **LOC (13) Cl.** **24-02**
- (52) **U.S. Cl.**
USPC **D24/121**
- (58) **Field of Classification Search**
USPC D24/118, 127, 108, 128, 111; 604/317,
604/327, 408, 403, 108, 339, 92, 415,
604/410, 332, 333; 128/DIG. 24
CPC A61M 3/0245
See application file for complete search history.

- (56) **References Cited**
U.S. PATENT DOCUMENTS
D242,653 S * 12/1976 Ekbladh D24/118
5,350,080 A * 9/1994 Brown C12M 23/48
220/62.21
D370,263 S * 5/1996 Falkenberg D24/108
D425,984 S * 5/2000 Niermann D24/122
D463,864 S * 10/2002 Treadwell D24/216

- D548,393 S * 8/2007 Smith D27/105
- 7,850,045 B2 * 12/2010 So A23G 3/28
222/132
- 8,172,817 B2 * 5/2012 Michaels A61M 1/0017
604/317
- D709,185 S * 7/2014 Queiroli D24/122
- 9,005,178 B2 * 4/2015 Knee A61C 5/66
604/403
- D804,653 S * 12/2017 Clark D24/121
- 2003/0195482 A1 * 10/2003 Schultz A61M 3/025
604/317
- 2020/0155753 A1 * 5/2020 Zhang A61M 3/0208

* cited by examiner

Primary Examiner — David G Muller
(74) *Attorney, Agent, or Firm* — Thomas|Horstemeyer,
LLP

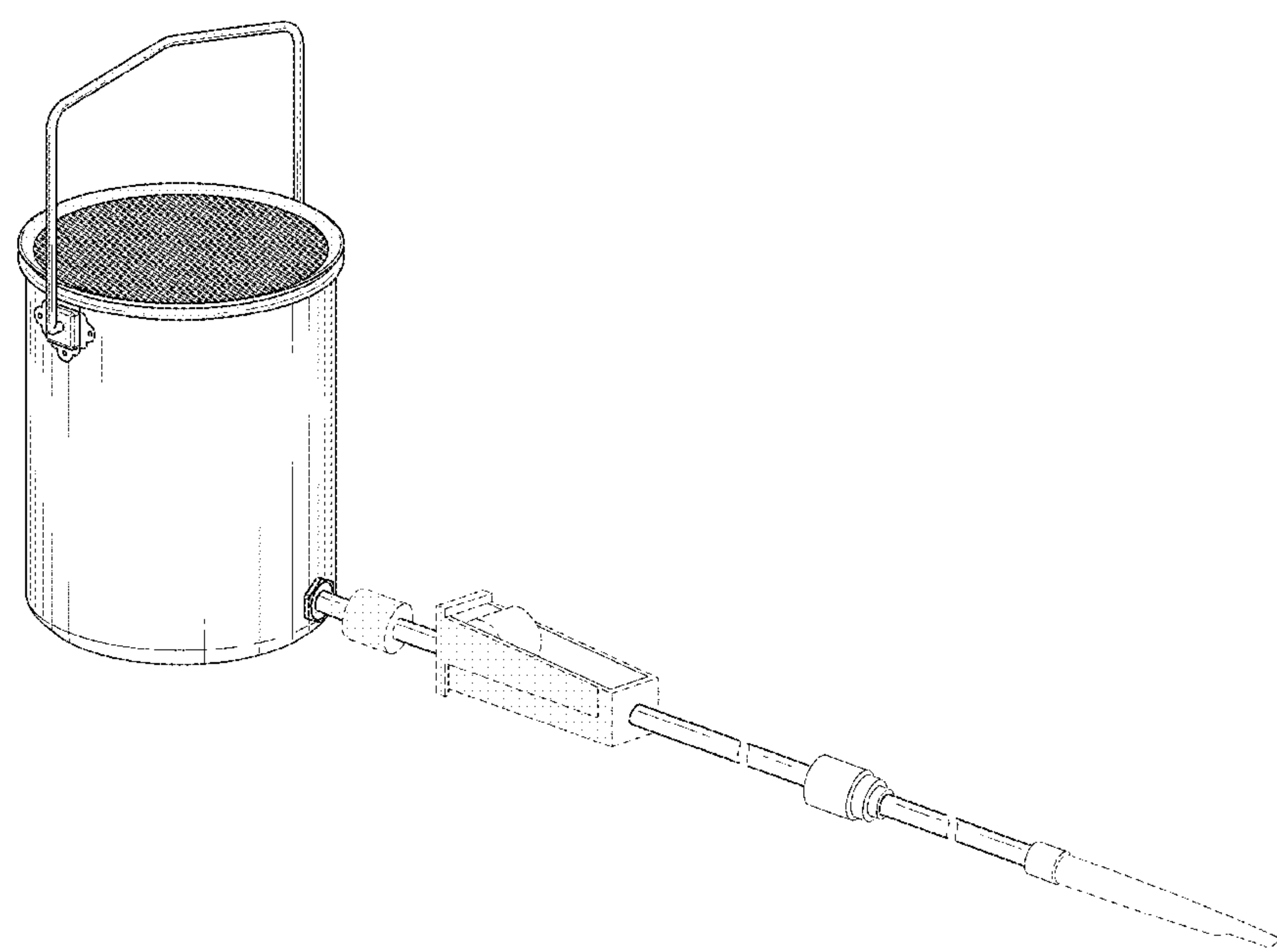
(57) **CLAIM**
The ornamental design for an enema bucket device, as shown and described.

DESCRIPTION

FIG. 1 is a perspective view of an enema bucket device, showing the new design;
FIG. 2 is a front view thereof;
FIG. 3 is a rear view thereof;
FIG. 4 is a right side view thereof;
FIG. 5 is a left side view thereof;
FIG. 6 is a top view thereof; and,
FIG. 7 is a bottom view thereof.

The broken line showing in the enema bucket device illustrate portions of the enema bucket device that do not form any part of the claimed design. The enema tubing is shown with a symbolic break in its length. The appearance of any portion of the article between the break lines form no part of the claimed design.

1 Claim, 5 Drawing Sheets



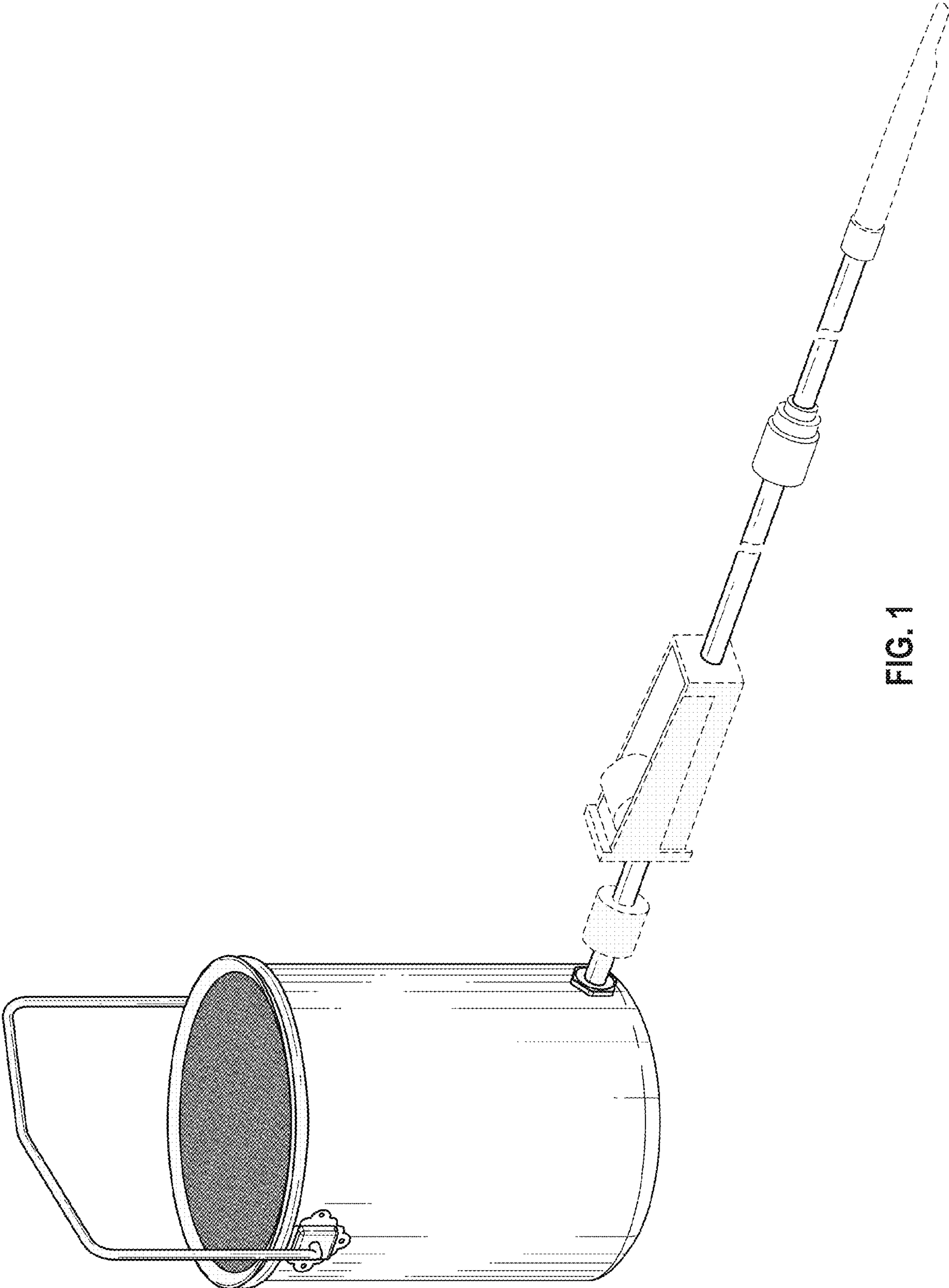


FIG. 1

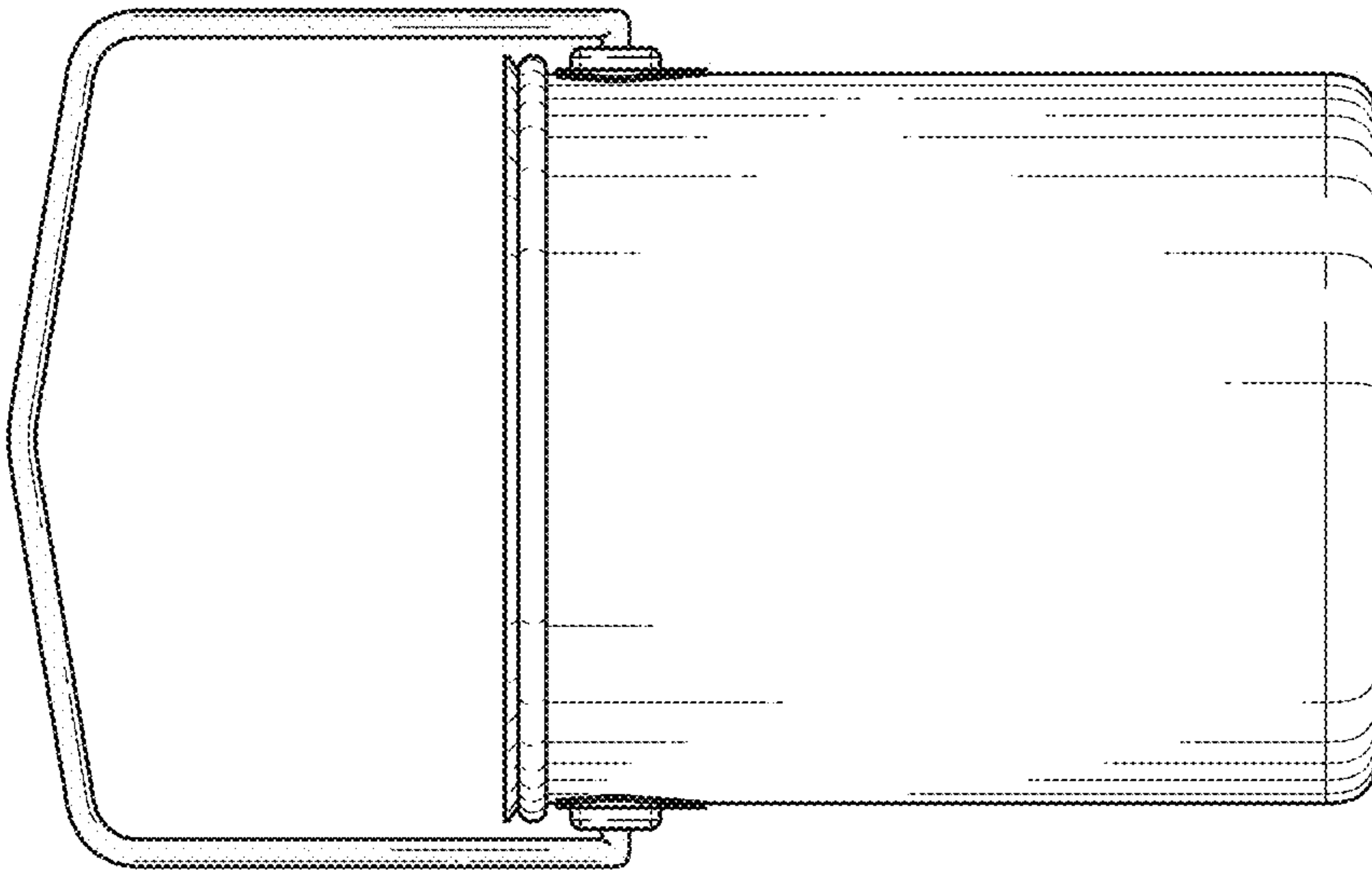


FIG. 3

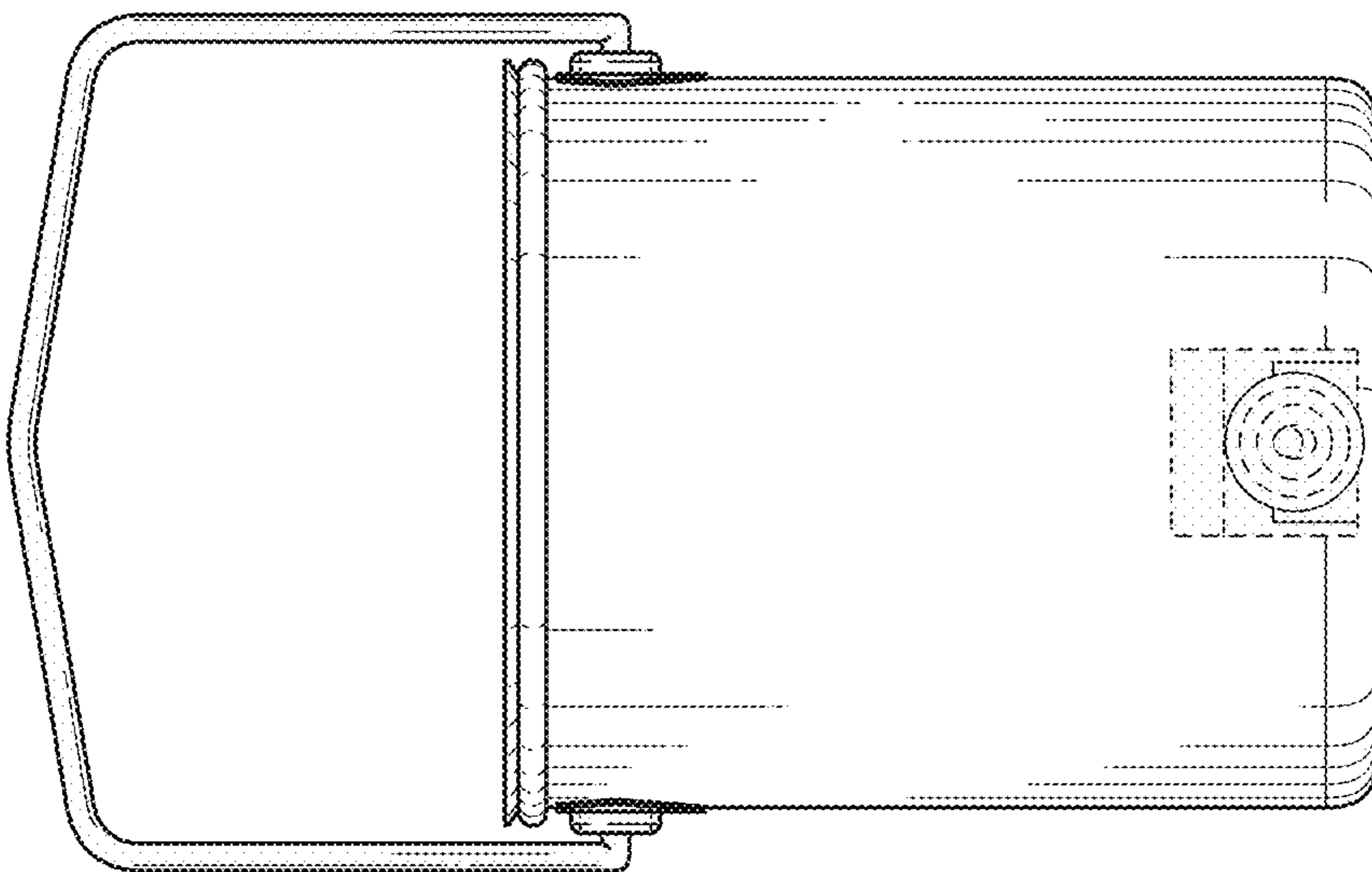


FIG. 2

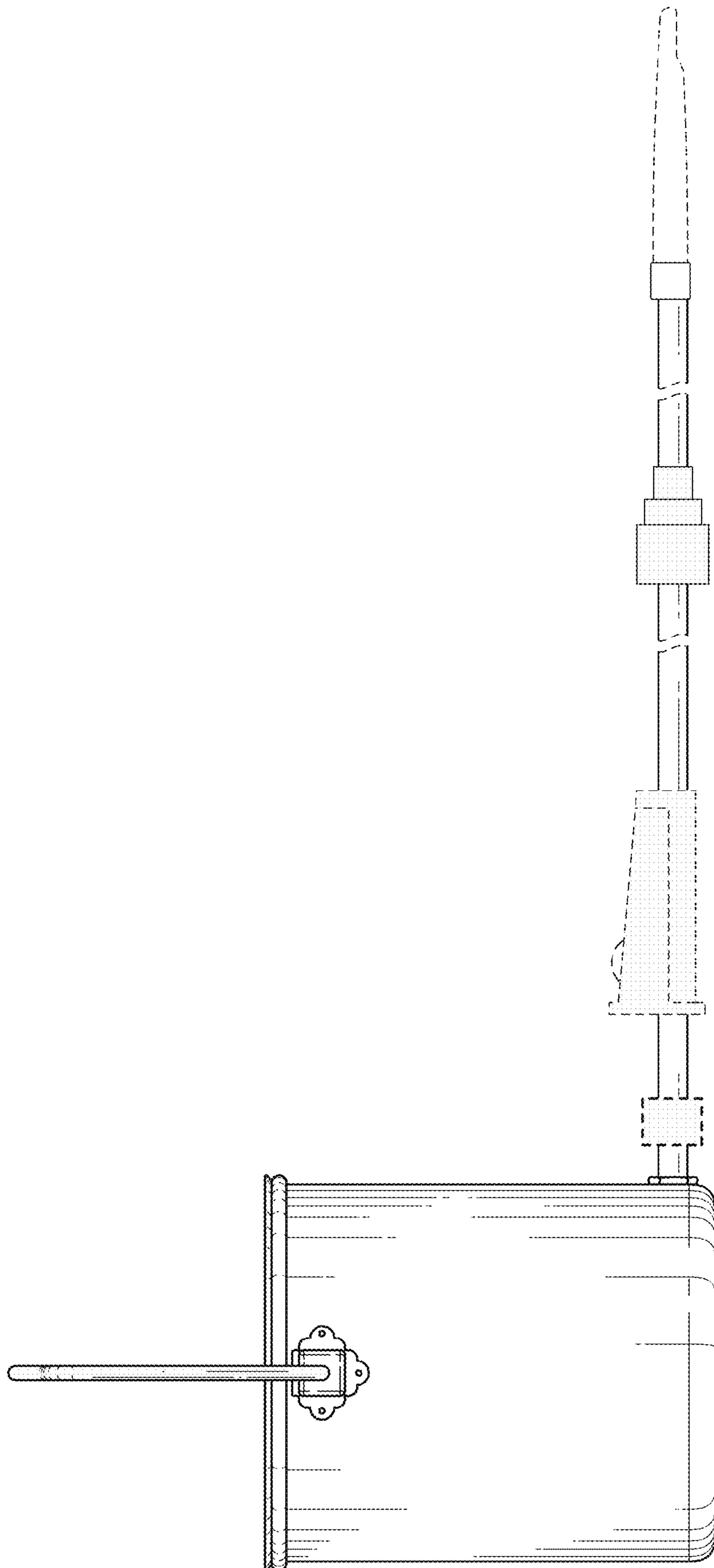


FIG. 4

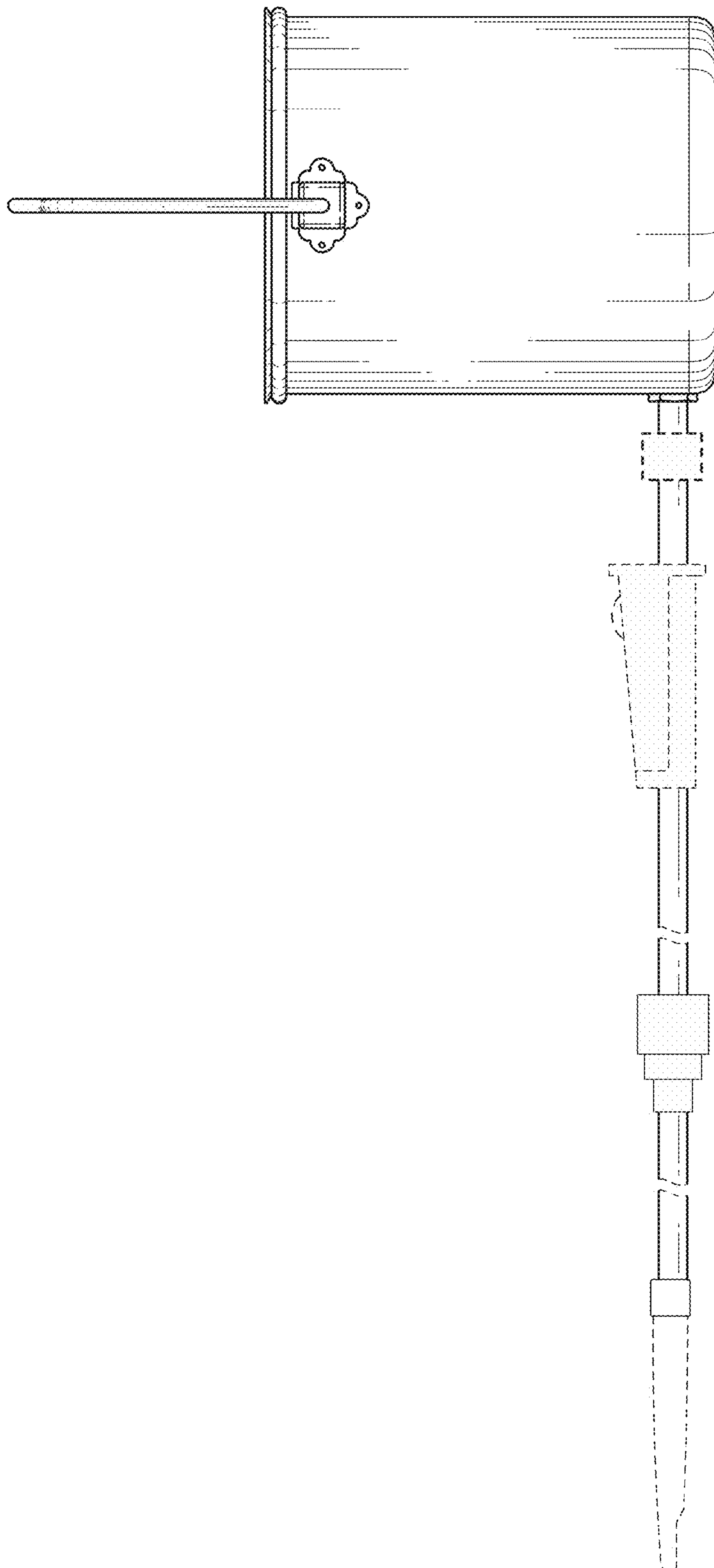


FIG. 5

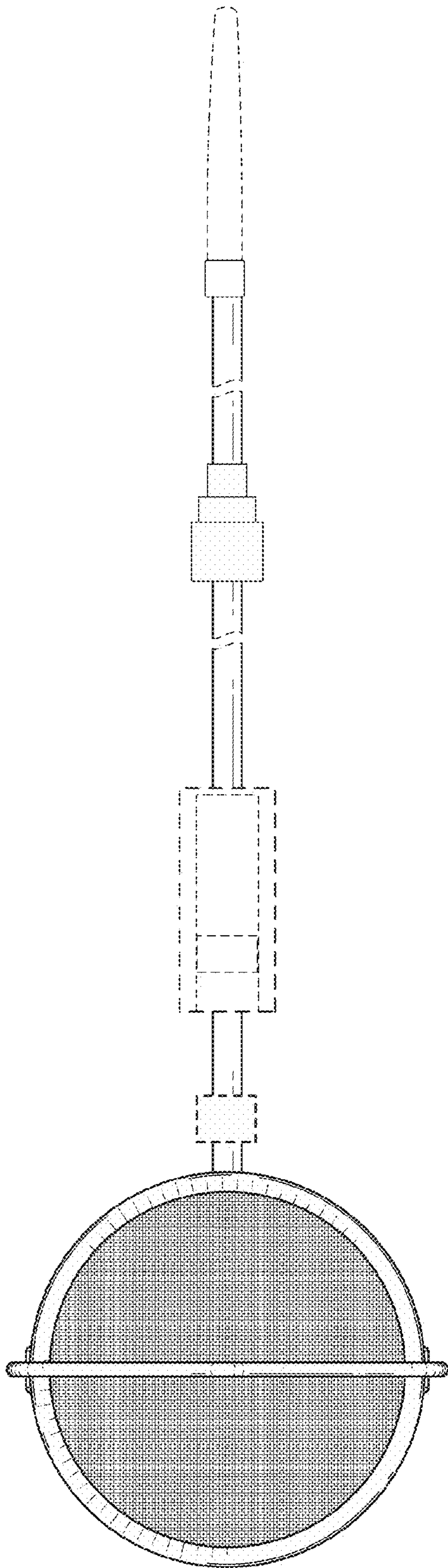


FIG. 6

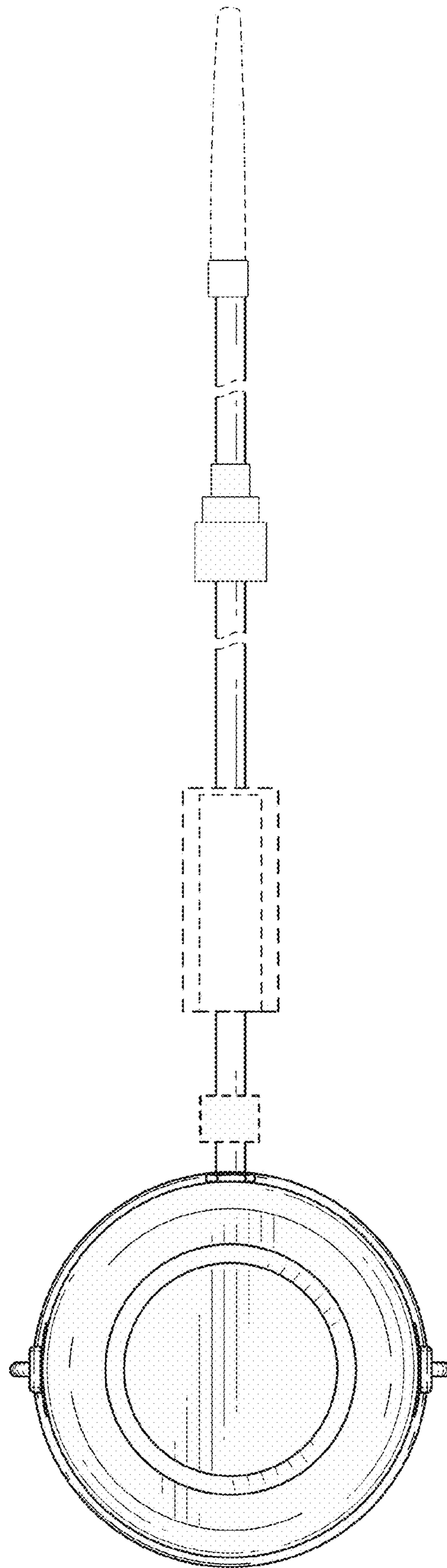


FIG. 7