



US00D914869S

(12) **United States Design Patent**
Putt

(10) **Patent No.:** **US D914,869 S**

(45) **Date of Patent:** **** Mar. 30, 2021**

- (54) **PERSONAL HYGIENE WIPE**
- (71) Applicant: **Nancy C. Putt**, Kingman, AZ (US)
- (72) Inventor: **Nancy C. Putt**, Kingman, AZ (US)
- (73) Assignee: **Nancy Catherine Putt**, Kingman, AZ (US)
- (**) Term: **15 Years**
- (21) Appl. No.: **29/651,624**
- (22) Filed: **Nov. 5, 2018**
- (51) **LOC (13) Cl.** **24-02**
- (52) **U.S. Cl.**
USPC **D24/119; D28/63**
- (58) **Field of Classification Search**
USPC D4/138, 199; D24/119; D28/8, 63;
D32/40, 50, 51; D30/158, 159
CPC A47K 11/00; A47K 11/10; A47K 7/028;
A46B 7/00
See application file for complete search history.

- D394,108 S * 5/1998 Ebert D24/119
- 5,809,607 A * 9/1998 Elson A47L 13/256
15/147.2
- 5,875,511 A * 3/1999 Nejd A46B 7/00
15/176.1
- D432,793 S * 10/2000 Blunt D28/63
- D449,910 S * 10/2001 Hendricks B60S 3/045
D28/63
- D458,367 S * 6/2002 Zaspel D24/119
- 6,438,787 B1 * 8/2002 Young A47K 7/028
15/143.1
- D479,377 S * 9/2003 Savage D32/51
- D503,229 S * 3/2005 Davis A61M 35/003
D24/119
- D506,028 S * 6/2005 Dickey D24/119
- D518,597 S * 4/2006 Sommers D24/119
- D553,794 S * 10/2007 Walker D28/63
- D789,521 S * 6/2017 Dombrowski D24/119

(Continued)

Primary Examiner — L. A. Grabenstetter

(57) **CLAIM**

The ornamental design for a personal hygiene wipe, as shown.

DESCRIPTION

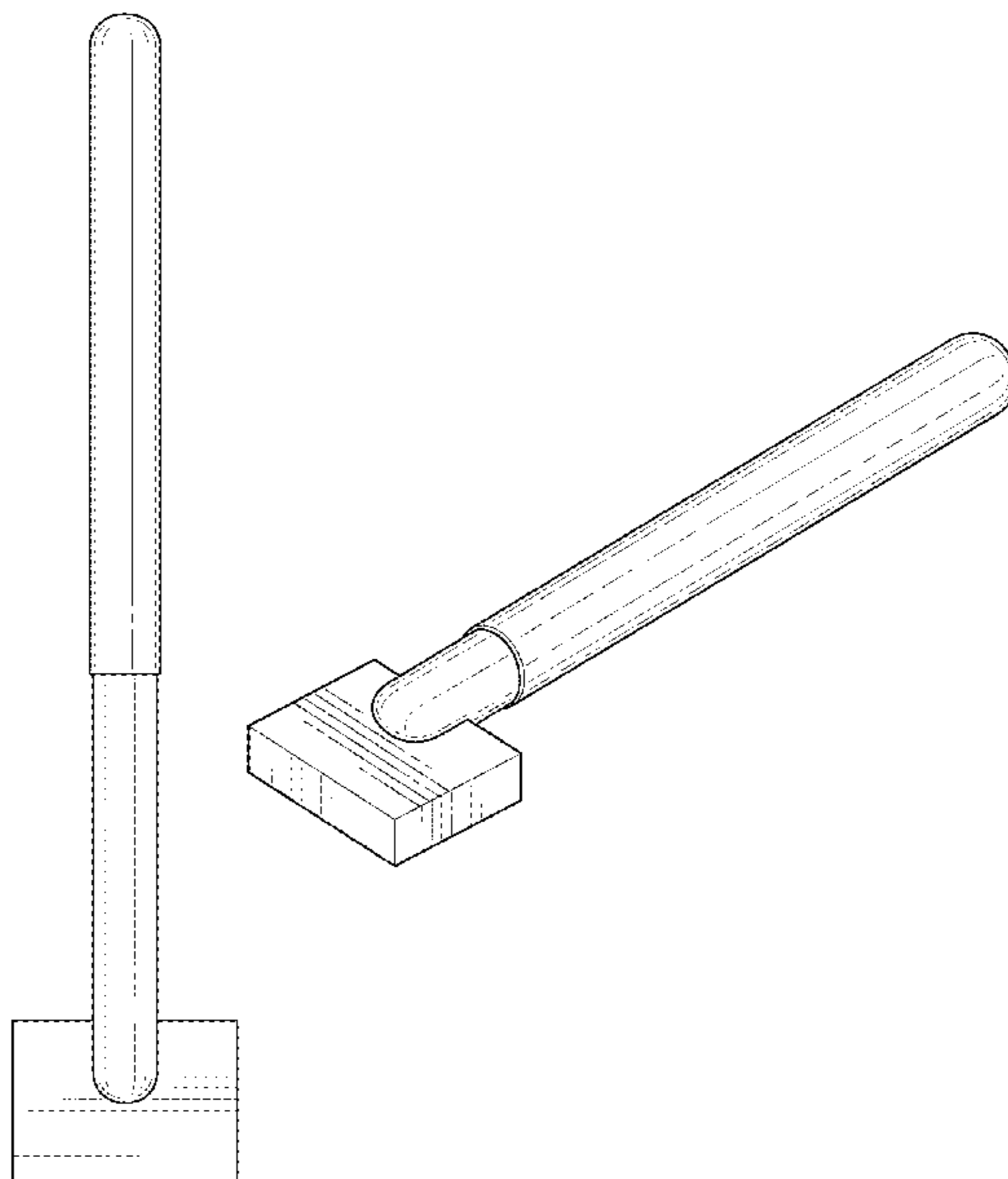
FIG. 1 is a front view of a personal hygiene wipe, showing my new design, shown in a fully extended configuration; FIG. 2 is a second front view thereof, shown in a collapsed configuration; FIG. 3 is a rear view thereof, shown in a collapsed configuration; FIG. 4 is a top view thereof; FIG. 5 is a bottom view thereof; FIG. 6 is a perspective thereof, shown in a partially extended configuration; and, FIG. 7 is a side view thereof, shown in a collapsed configuration.

1 Claim, 3 Drawing Sheets

(56) **References Cited**

U.S. PATENT DOCUMENTS

- 3,128,493 A * 4/1964 Paul A47K 7/028
401/184
- 3,324,855 A * 6/1967 Heimlich A61L 15/425
604/3
- D211,676 S * 7/1968 Flower, Jr. D24/112
- 4,299,005 A * 11/1981 Brown A61M 35/006
15/104.94
- 4,925,327 A * 5/1990 Wirt A61M 35/006
401/132
- 4,970,750 A * 11/1990 Davis, III A47L 13/16
15/228
- D351,229 S * 10/1994 Wirt D24/119
- D353,919 S * 12/1994 Sajko D32/44
- 5,573,342 A * 11/1996 Patalano A45D 40/26
401/140



(56)

References Cited

U.S. PATENT DOCUMENTS

D789,635 S * 6/2017 Couser D32/42
2003/0061676 A1* 4/2003 Warren A47K 7/028
15/176.2

* cited by examiner

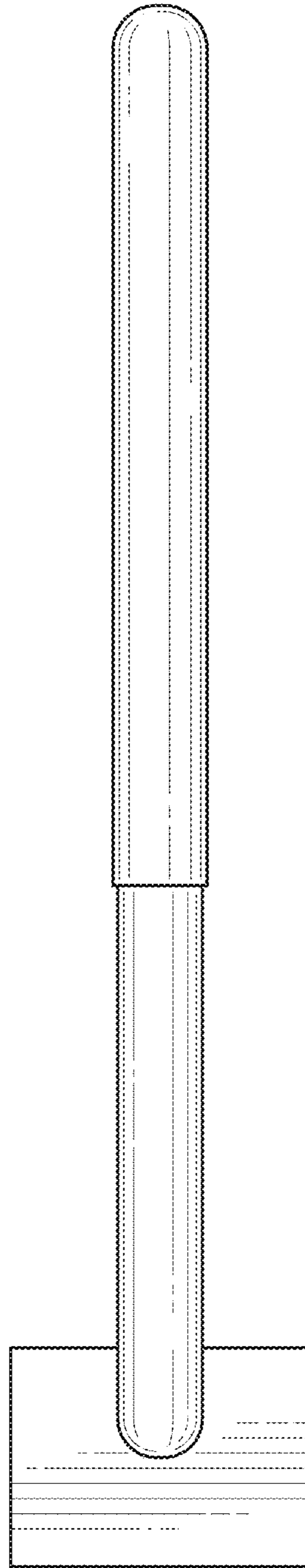


FIG. 1

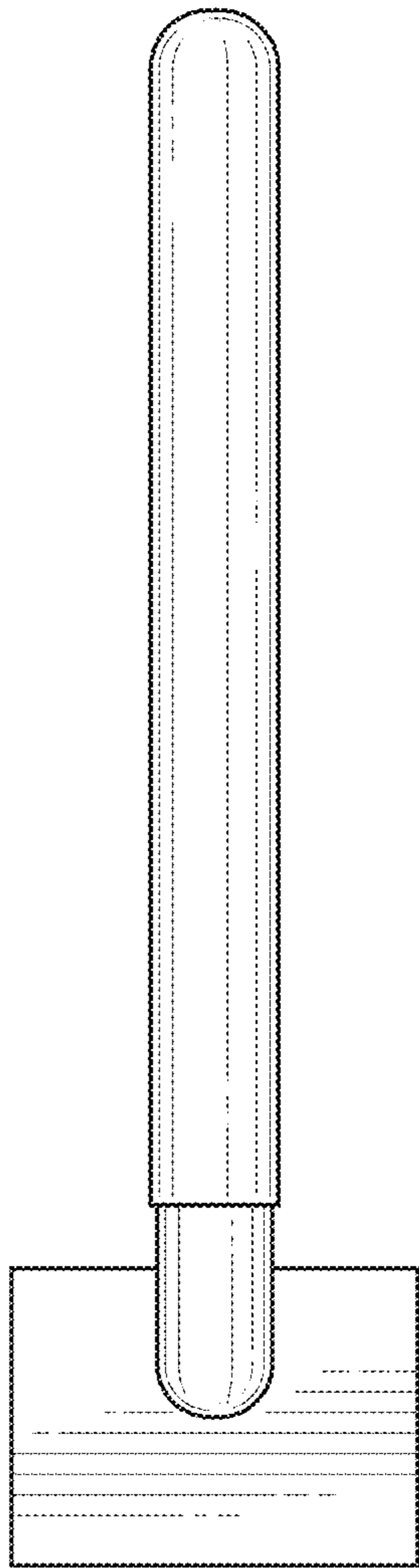


FIG. 2

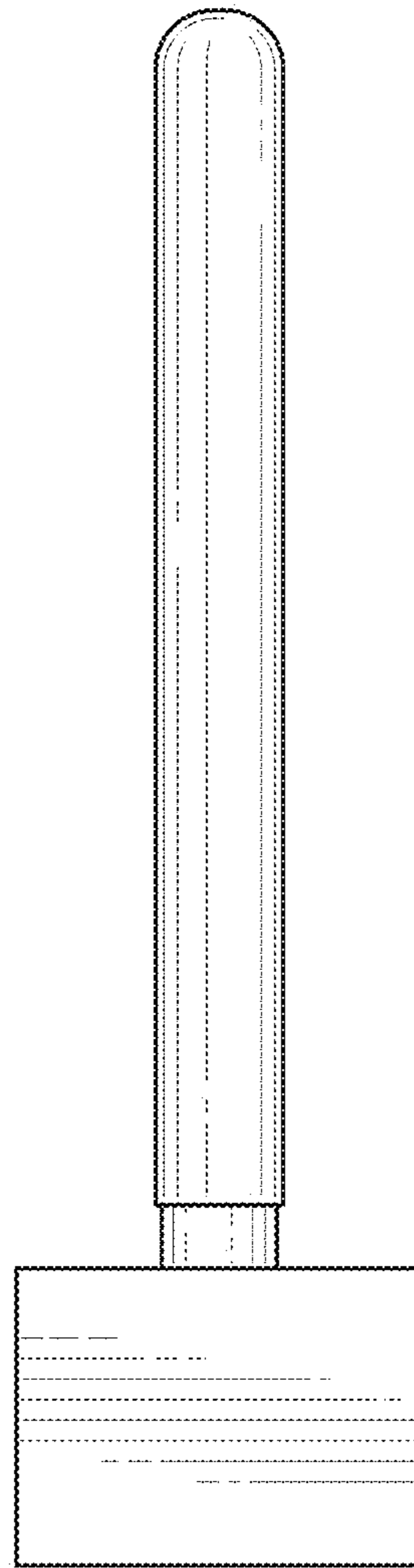


FIG. 3

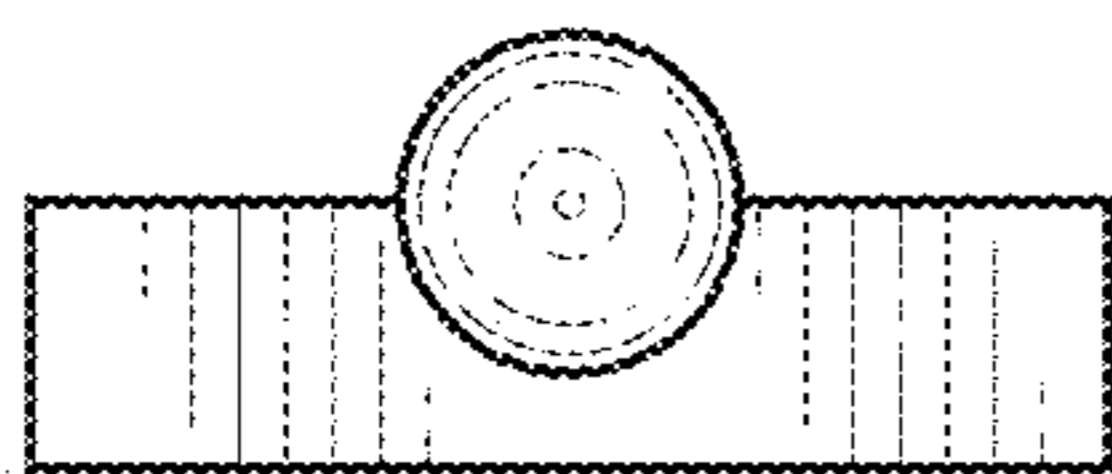


FIG. 4

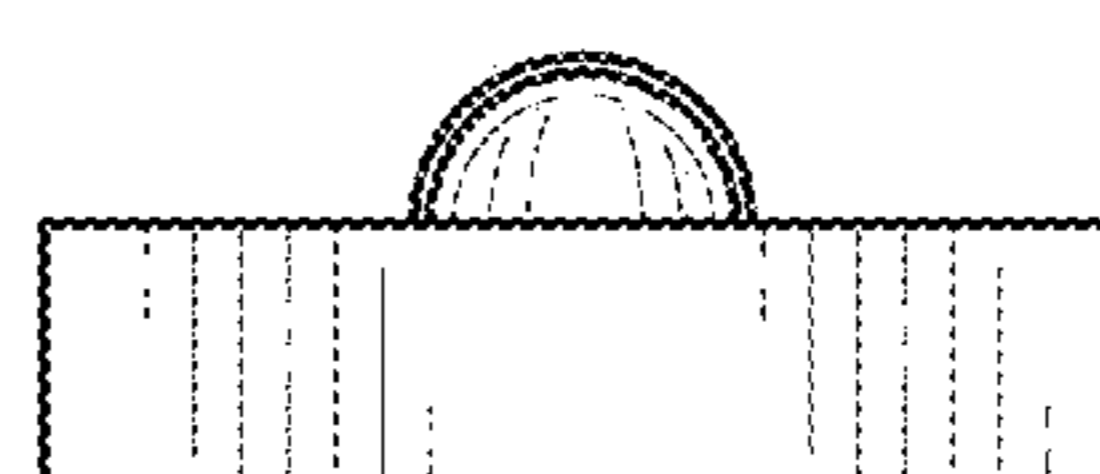


FIG. 5

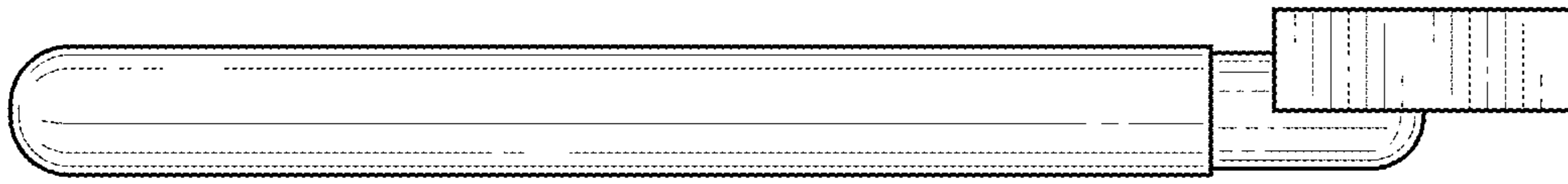


FIG. 7

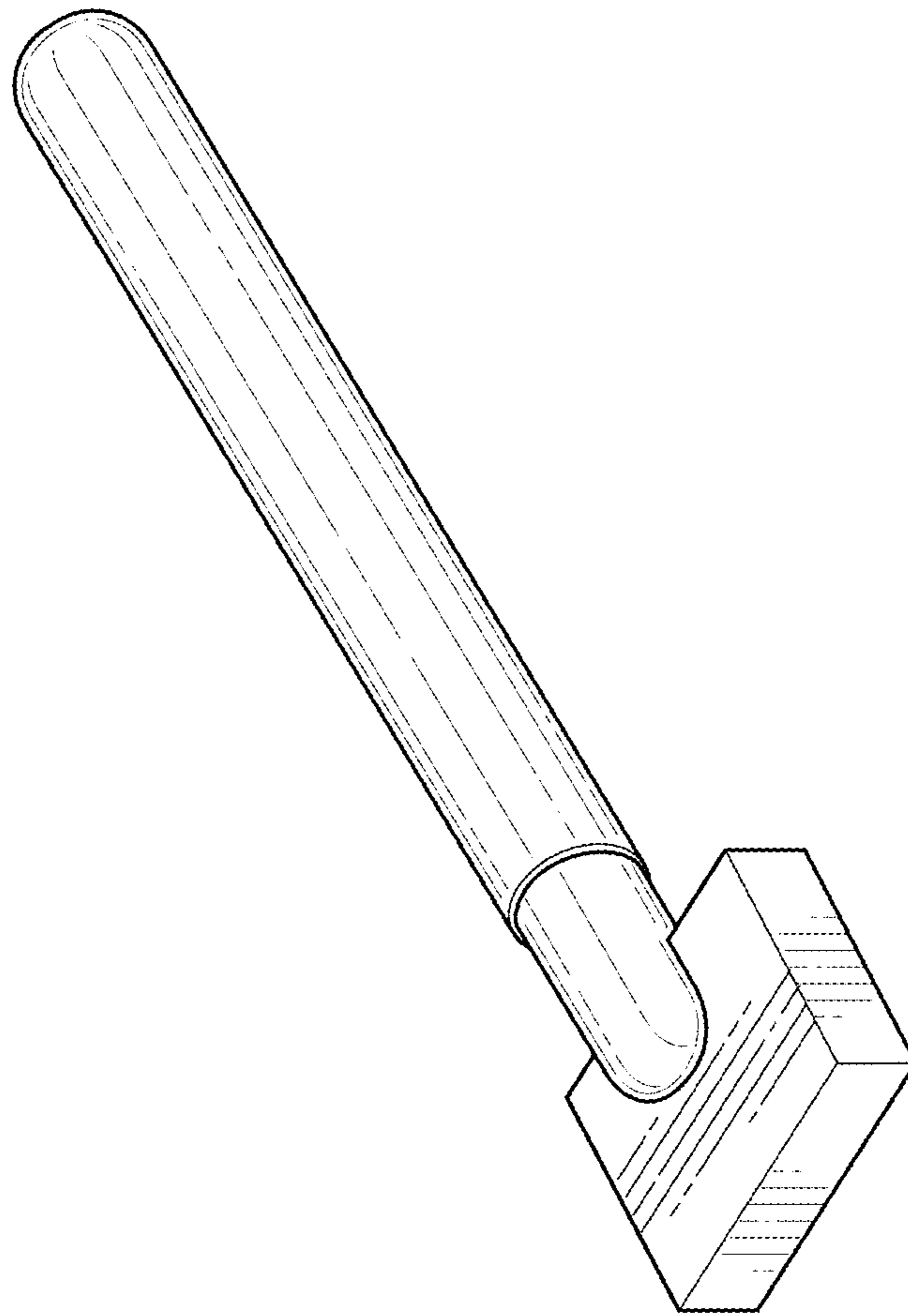


FIG. 6