



US00D914868S

(12) **United States Design Patent**
Dang

(10) **Patent No.:** **US D914,868 S**

(45) **Date of Patent:** **** Mar. 30, 2021**

- (54) **SUPPLEMENT TABLET**
- (71) Applicant: **Access Business Group International LLC**, Ada, MI (US)
- (72) Inventor: **Jennifer K. Dang**, Cypress, CA (US)
- (73) Assignee: **Access Business Group International LLC**, Ada, MI (US)

D166,087	S	*	3/1952	Leser	D2/821
D179,580	S	*	1/1957	Pollard	D1/108
D202,165	S	*	9/1965	Hager	D2/821
D216,307	S	*	12/1969	Ninger	D24/103
D229,749	S	*	1/1974	Modelevsky	D24/102
D279,831	S	*	7/1985	Hensel	D2/813
D303,174	S	*	9/1989	Matthews	D2/822
D500,186	S	*	12/2004	Cohen-Diederiksen	D1/102
2011/0223250	A1	*	9/2011	Bubnis	A61K 31/51 424/474

(**) Term: **15 Years**

* cited by examiner

(21) Appl. No.: **29/732,311**

Primary Examiner — Katie Jane Stofko

(22) Filed: **Apr. 23, 2020**

(74) *Attorney, Agent, or Firm* — Alticor Inc.

(51) **LOC (13) Cl.** **28-01**

(52) **U.S. Cl.**
USPC **D24/102; D1/106**

(58) **Field of Classification Search**
 USPC D1/100–130, 199; 426/92, 94, 104, 134,
 426/138, 143, 275, 277, 279, 281–284,
 426/292, 295, 391, 496, 514, 566, 572,
 426/660; D21/578, 621, 622, 635, 637,
 D21/648; D9/621, 623; D15/199;
 446/135, 380; D11/160; 223/67;
 D19/62; D14/232; D2/731, 735, 741,
 D2/742, 756, 761, 770, 771, 778, 779,
 D2/780–799
 CPC A23G 3/54; A61K 9/2072; A61K 9/0004;
 A61K 9/2095; A61K 9/209; D06F 73/00;
 A41H 5/02; A47F 8/00; A45D 44/14;
 A63H 3/48
 See application file for complete search history.

(57) **CLAIM**

The ornamental design for a supplement tablet, as shown and described.

DESCRIPTION

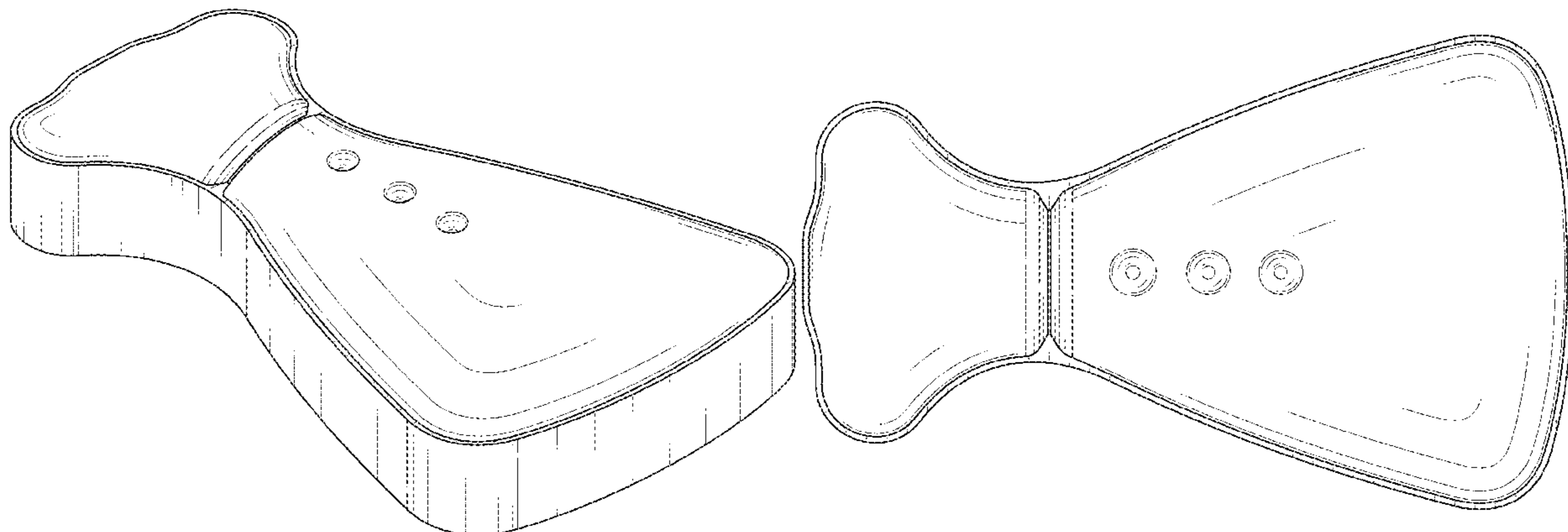
FIG. 1 is a perspective view of a supplement tablet showing my new design;
 FIG. 2 is a left side view thereof;
 FIG. 3 is a right side view thereof;
 FIG. 4 is a top side view thereof;
 FIG. 5 is a bottom side view thereof;
 FIG. 6 is a front view thereof; and,
 FIG. 7 is a back view thereof.

(56) **References Cited**

U.S. PATENT DOCUMENTS

2,031,208	A	*	2/1936	Burgard	A63H 3/08 446/386
D104,281	S	*	4/1937	Mullen	D2/764
D140,227	S	*	1/1945	Zahn	D2/792
D155,670	S	*	10/1949	Adler	D2/756

1 Claim, 5 Drawing Sheets



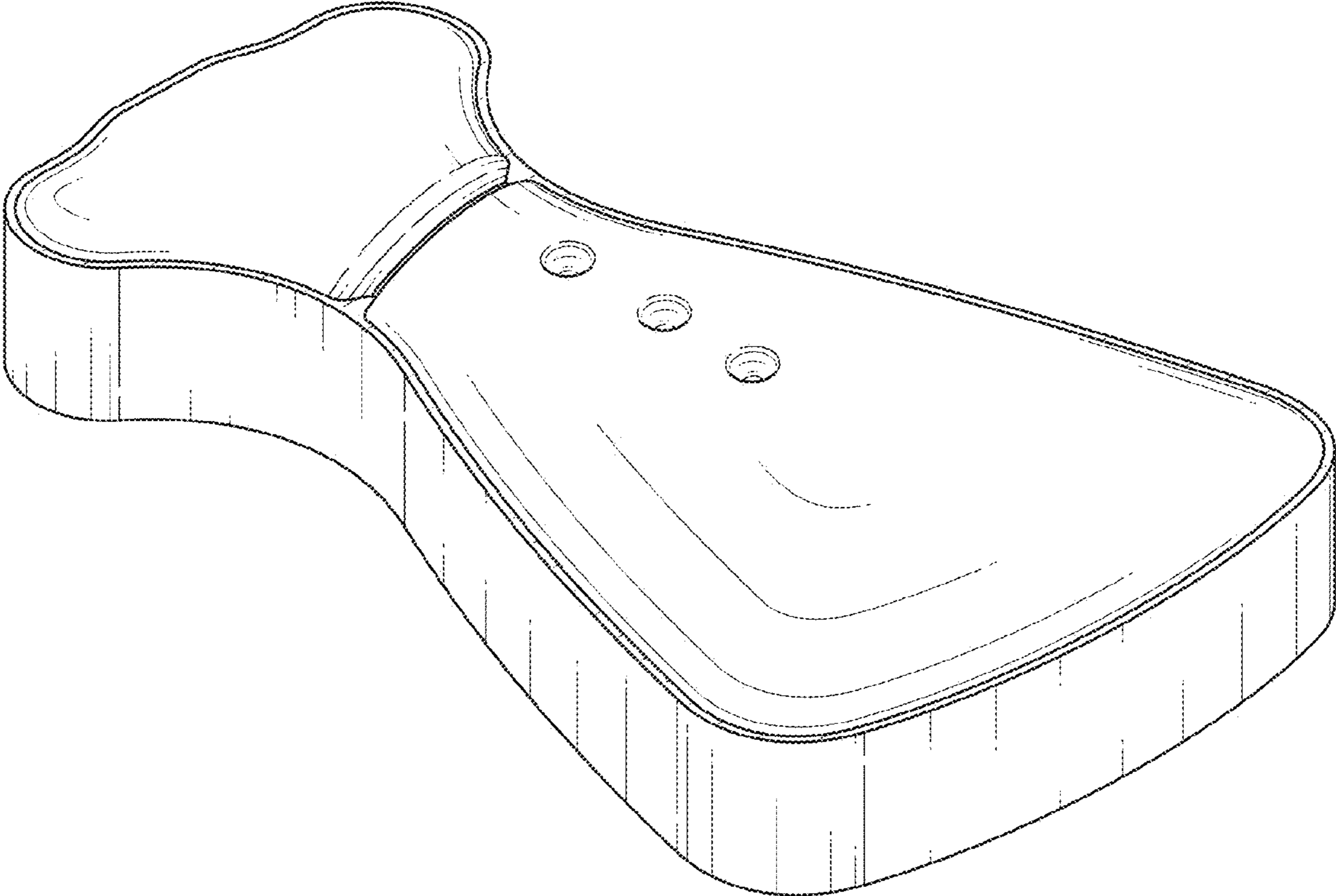


FIG. 1

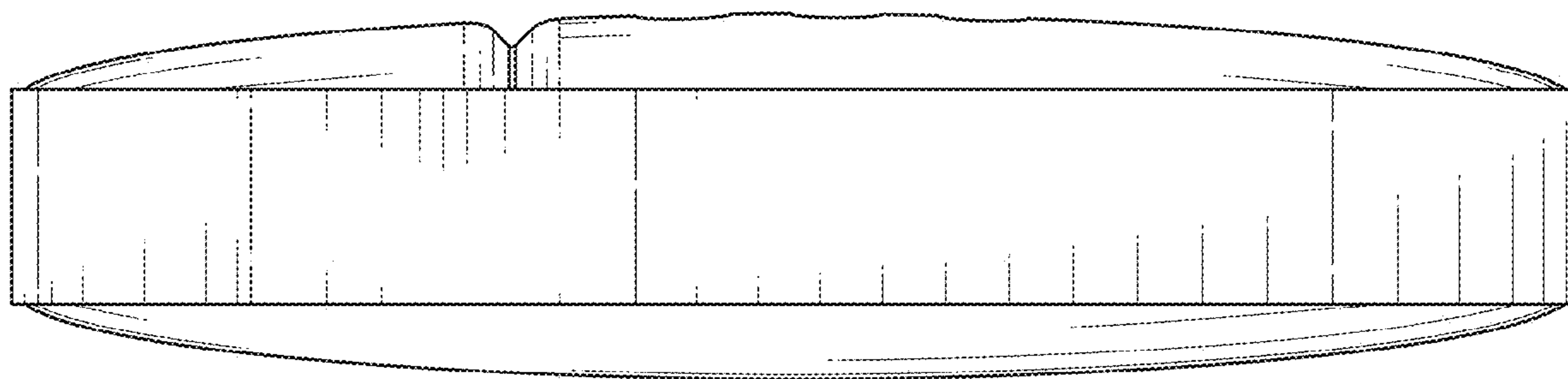


FIG. 2

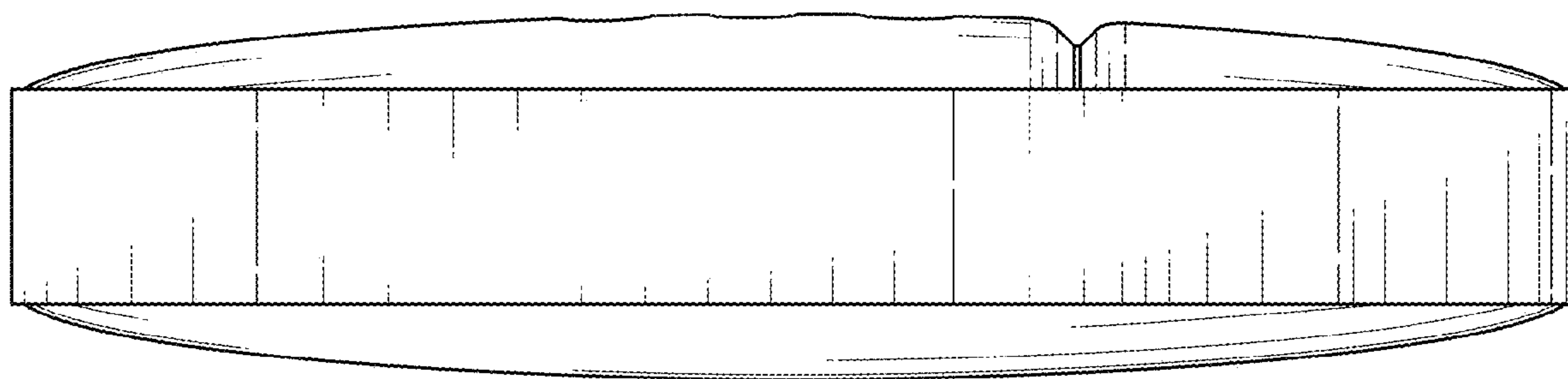


FIG. 3

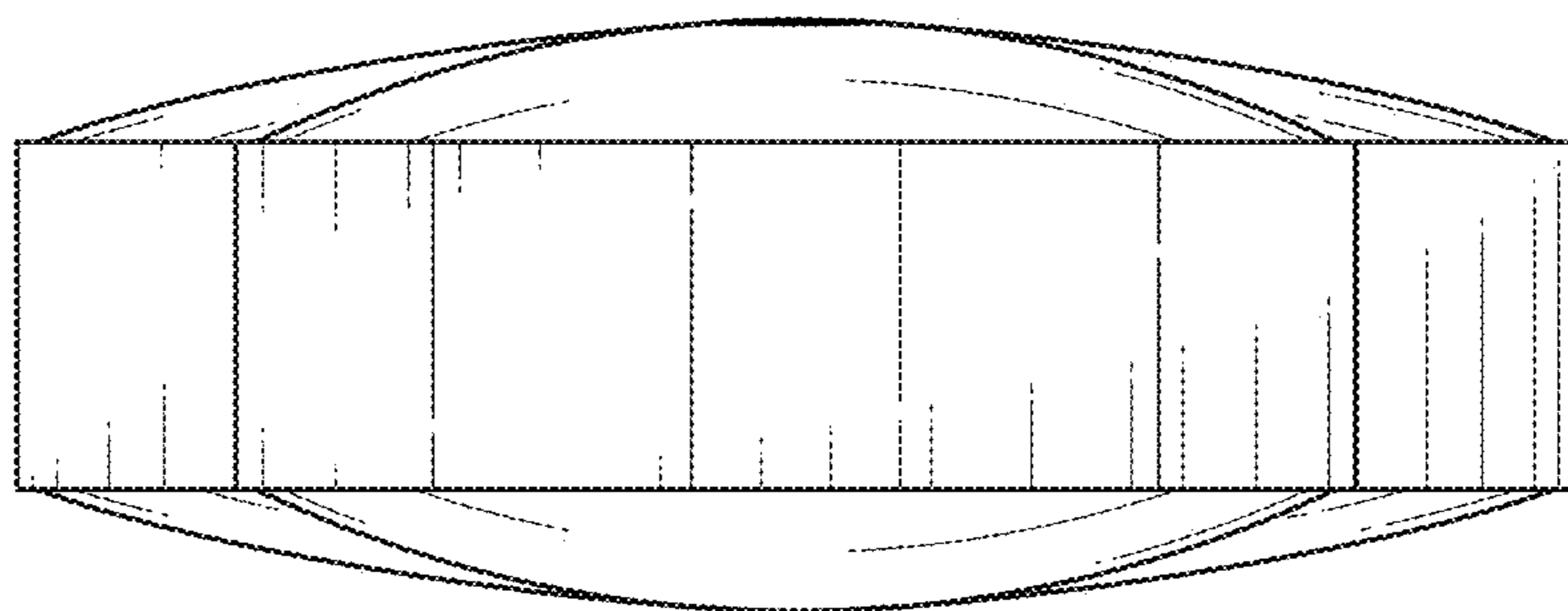


FIG. 4

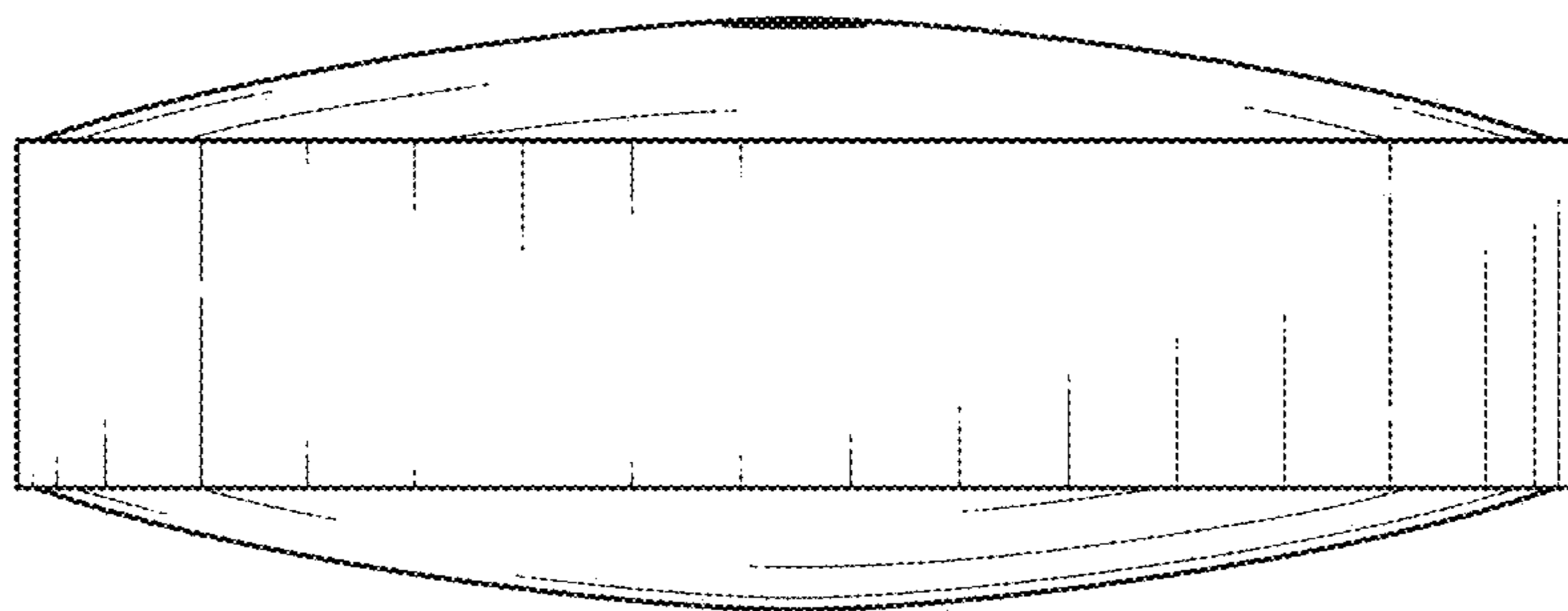


FIG. 5

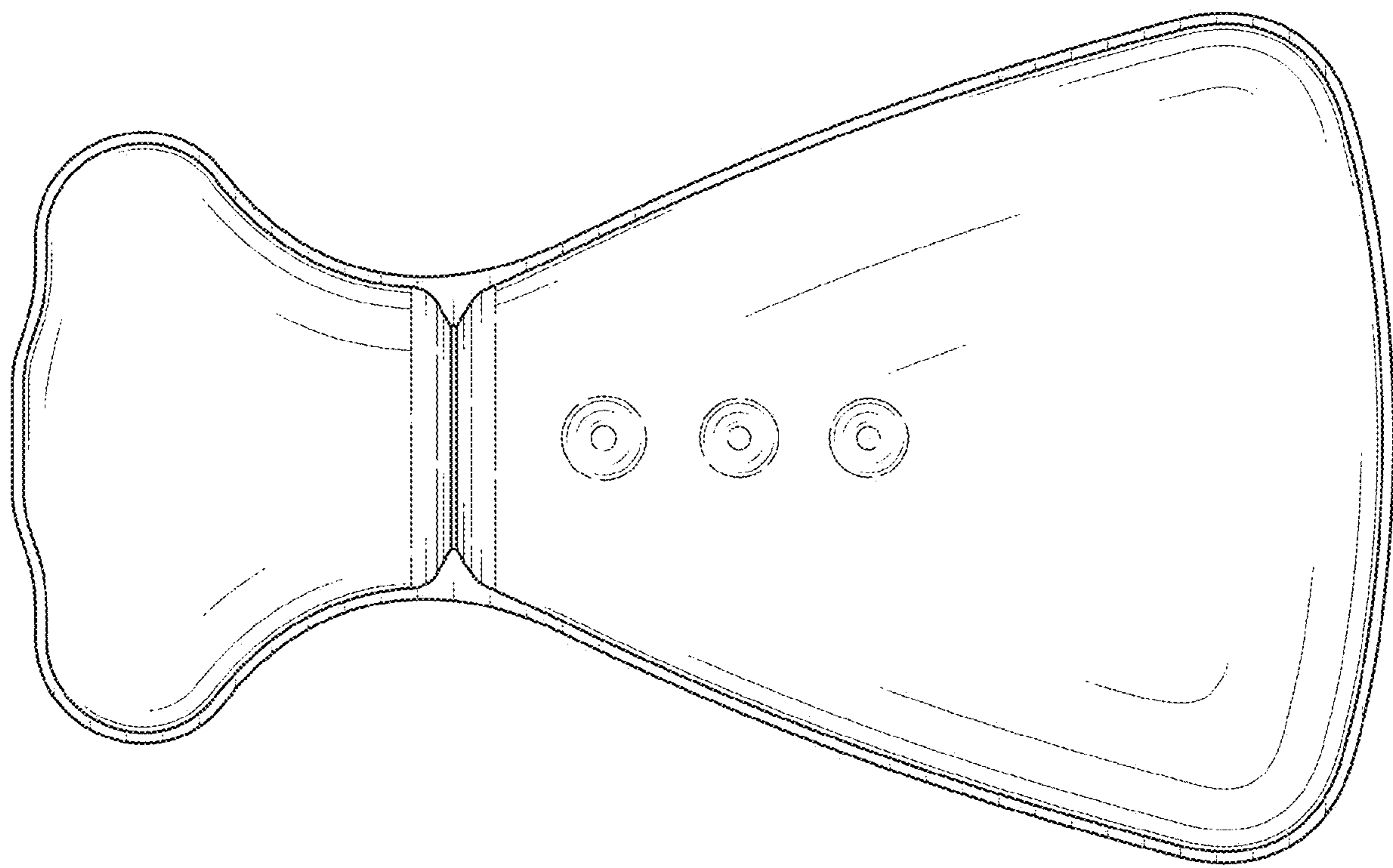


FIG. 6

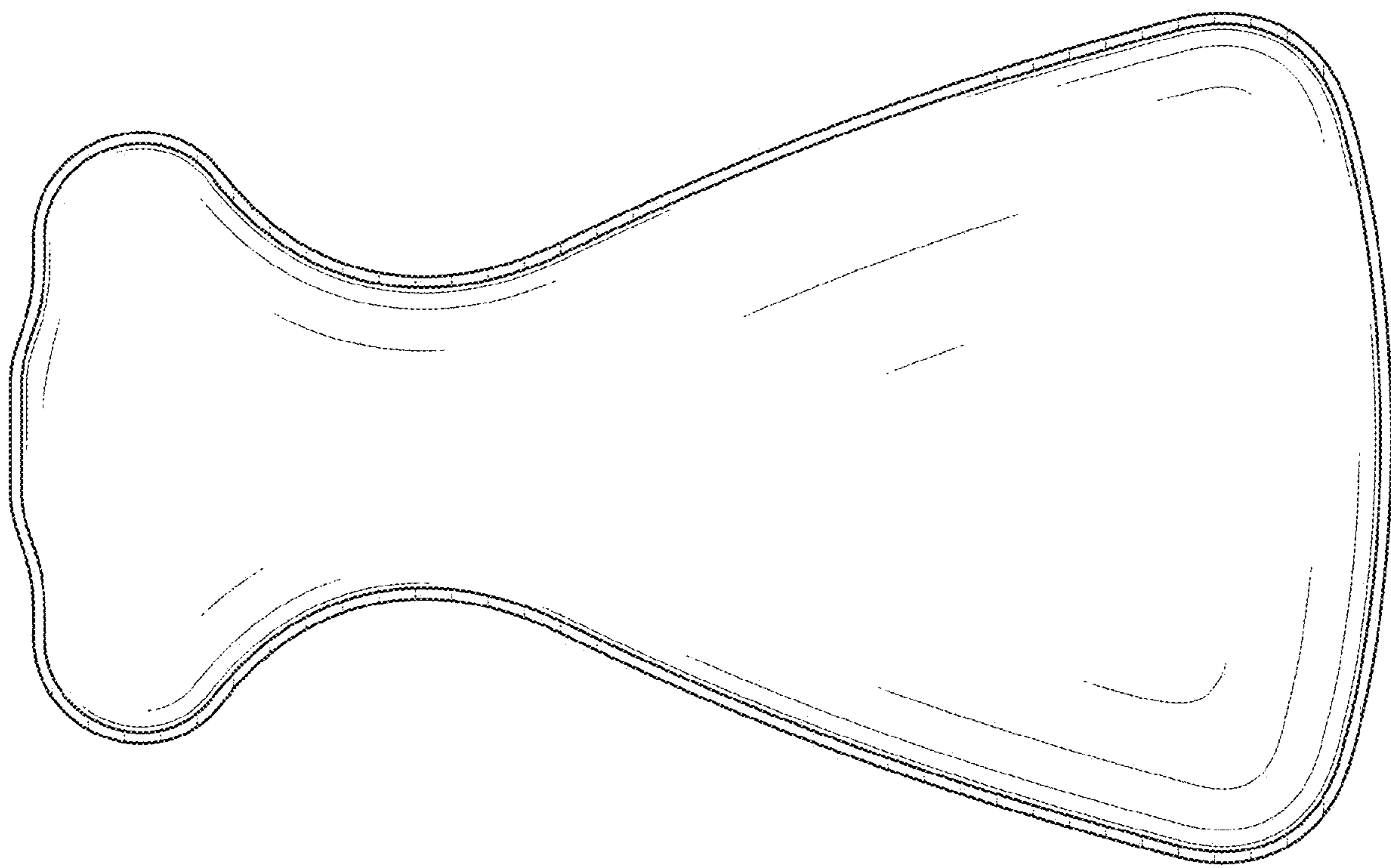


FIG. 7