

US00D914864S

(12) **United States Design Patent** (10) **Patent No.:** **US D914,864 S**  
**Roblin** (45) **Date of Patent:** **\*\* Mar. 30, 2021**

- (54) **AIR FILTER**
- (71) Applicant: **Andrew Roblin**, Scarborough (CA)
- (72) Inventor: **Andrew Roblin**, Scarborough (CA)
- (73) Assignee: **Inner Eco Environmenta**, Toronto (CA)
- (\*\*) Term: **15 Years**
- (21) Appl. No.: **29/638,008**
- (22) Filed: **Feb. 23, 2018**
- (51) **LOC (13) Cl.** ..... **23-04**
- (52) **U.S. Cl.**  
USPC ..... **D23/365**
- (58) **Field of Classification Search**  
USPC ..... D23/333-336, 355-365  
CPC ..... B01D 46/00; B01D 46/0002; B01D 46/0004; B01D 46/0013; B01D 46/009; B01D 46/10; B01D 29/107; F04D 29/107  
See application file for complete search history.

(56) **References Cited**

U.S. PATENT DOCUMENTS

5,976,225	A *	11/1999	Nystrom	.....	B01D 35/18	95/278
D538,418	S *	3/2007	Pippel	.....	D23/209	
D605,275	S *	12/2009	Kawano	.....	D23/365	
8,157,881	B1 *	4/2012	Anoszko	.....	B01D 46/0005	55/497
D725,760	S *	3/2015	Nakagawa	.....	D23/365	
D778,419	S *	2/2017	Poindexter	.....	D23/365	
D809,115	S *	1/2018	Morin	.....	D23/365	
D831,157	S *	10/2018	Kronk	.....	D23/209	
2005/0284116	A1 *	12/2005	Duffy	.....	B01D 46/0001	55/497

2006/0042207	A1 *	3/2006	Jenkins	.....	B01D 46/0005	55/490.1
2008/0105126	A1 *	5/2008	Kawano	.....	B01D 46/0002	96/11
2013/0340400	A1 *	12/2013	Minaeeghainipour	.....	B01D 46/0002	55/511

(Continued)

*Primary Examiner* — John A Voytek  
(74) *Attorney, Agent, or Firm* — Dickinson Wright LLP; Matthew D. Powell

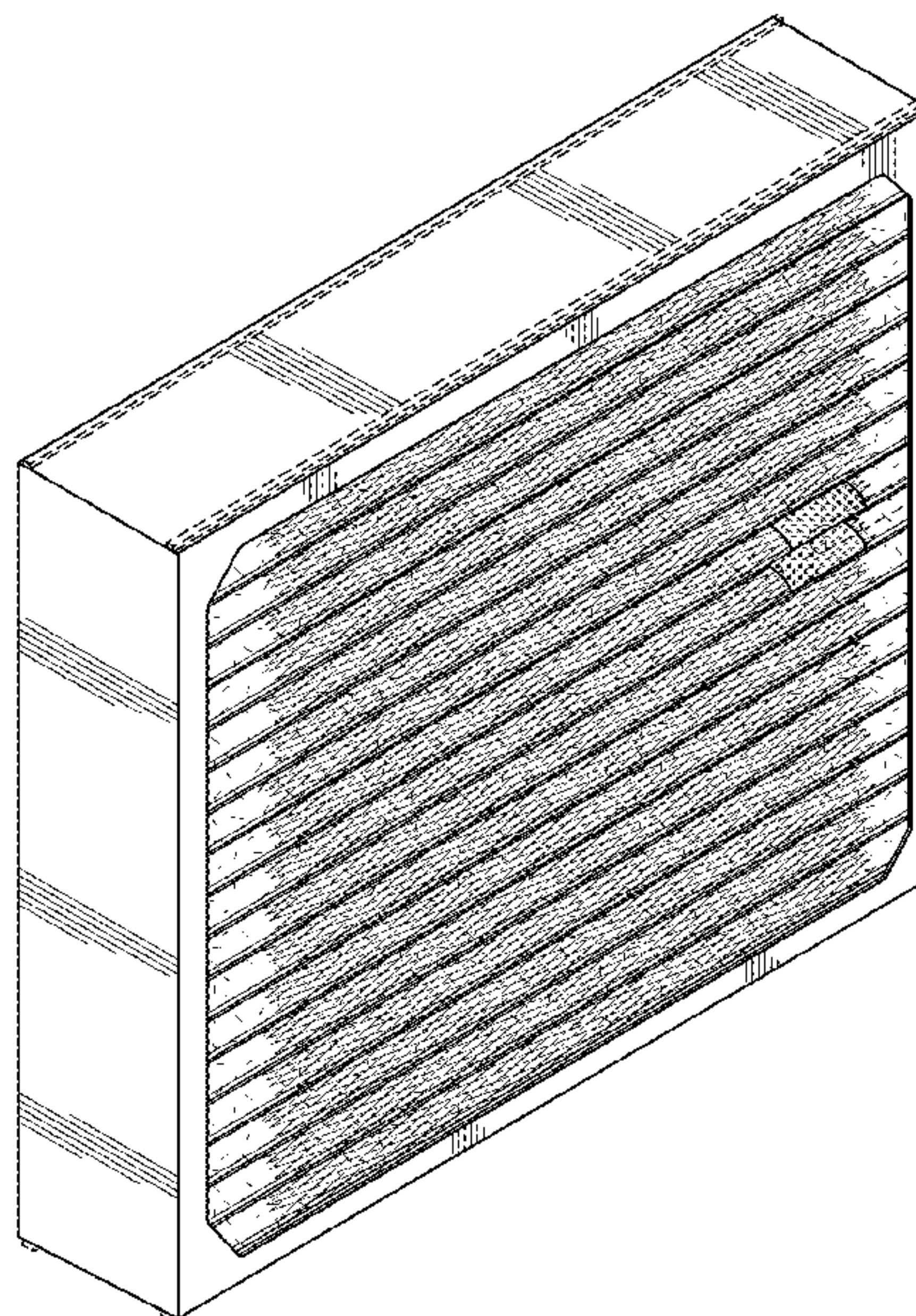
(57) **CLAIM**

The ornamental design for an air filter, as shown and described.

**DESCRIPTION**

FIG. 1 is a front perspective view of one embodiment of the air filter, in accordance with the design;  
 FIG. 2 is a front elevational view of the air filter of FIG. 1;  
 FIG. 3 is distal end elevational view of the air filter of FIG. 1;  
 FIG. 4 is a proximal end elevational view of the air filter of FIG. 1;  
 FIG. 5 is bottom view of the air filter of FIG. 1;  
 FIG. 6 is a top view of the air filter of FIG. 1;  
 FIG. 7 is another front perspective view of the air filter of FIG. 1, positioned partway into a cabinet for housing the AIR FILTER, the cabinet being depicted in broken lines as environment;  
 FIG. 8 is a front perspective view of another embodiment of the air filter, in accordance with the design; and,  
 FIG. 9 is a front perspective view of still another embodiment of the air filter, in accordance with the design.  
 The broken lines on the surface in the drawings show portions of the air filter that form no part of the claim. The portions of a cabinet for the air filter shown in FIG. 7 are shown as environment only and do not form part of the design. The drawings are shaded to indicate contrasting surfaces, with the shaded portions being stippled.

**1 Claim, 7 Drawing Sheets**



(56)

**References Cited**

U.S. PATENT DOCUMENTS

2014/0150385 A1\* 6/2014 Schuld ..... B01D 46/0004  
55/478  
2014/0174046 A1\* 6/2014 Yoshino ..... B01D 46/0005  
55/499  
2015/0265959 A1\* 9/2015 Crabtree ..... B01D 46/0023  
55/485

\* cited by examiner



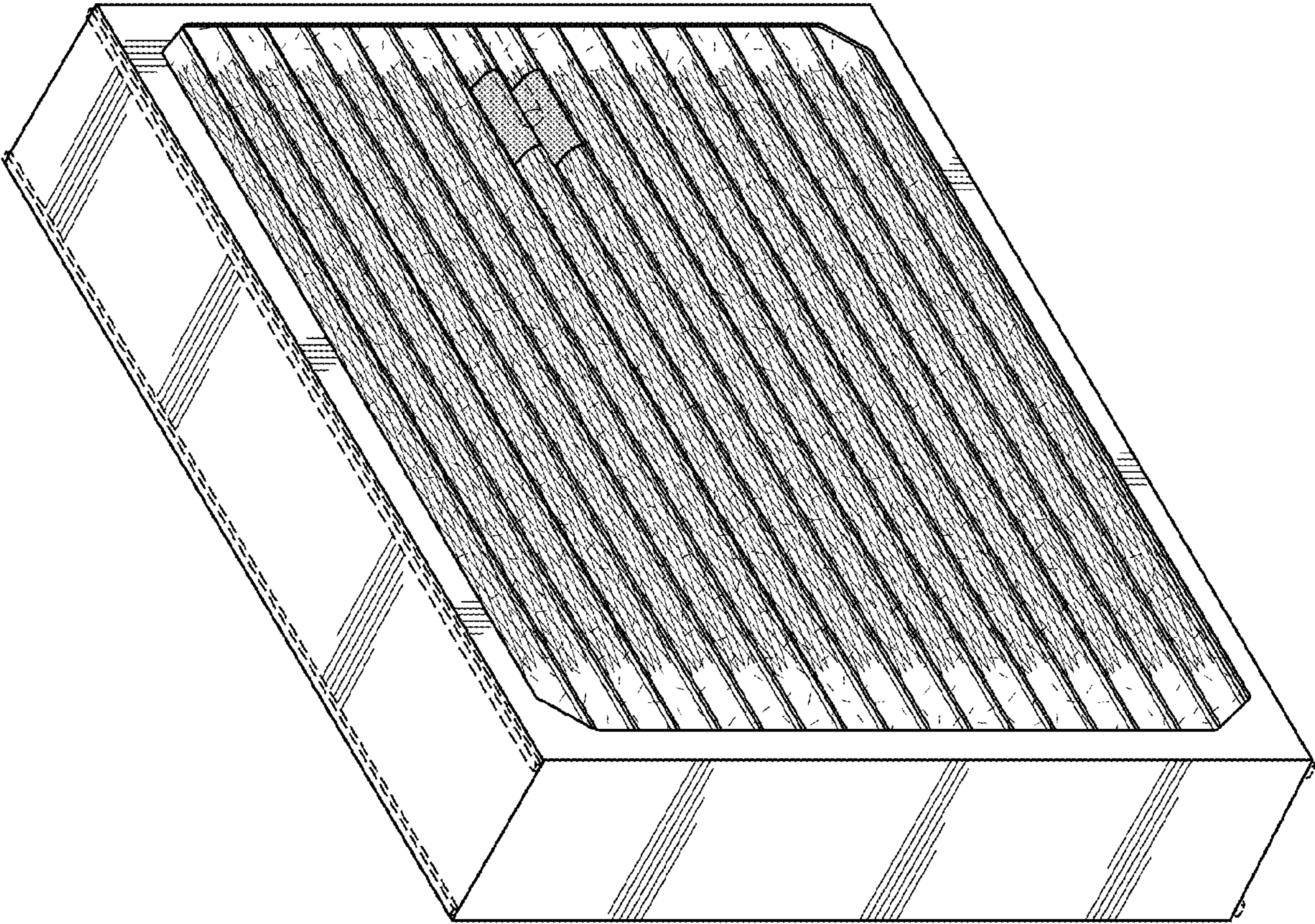


Fig. 1



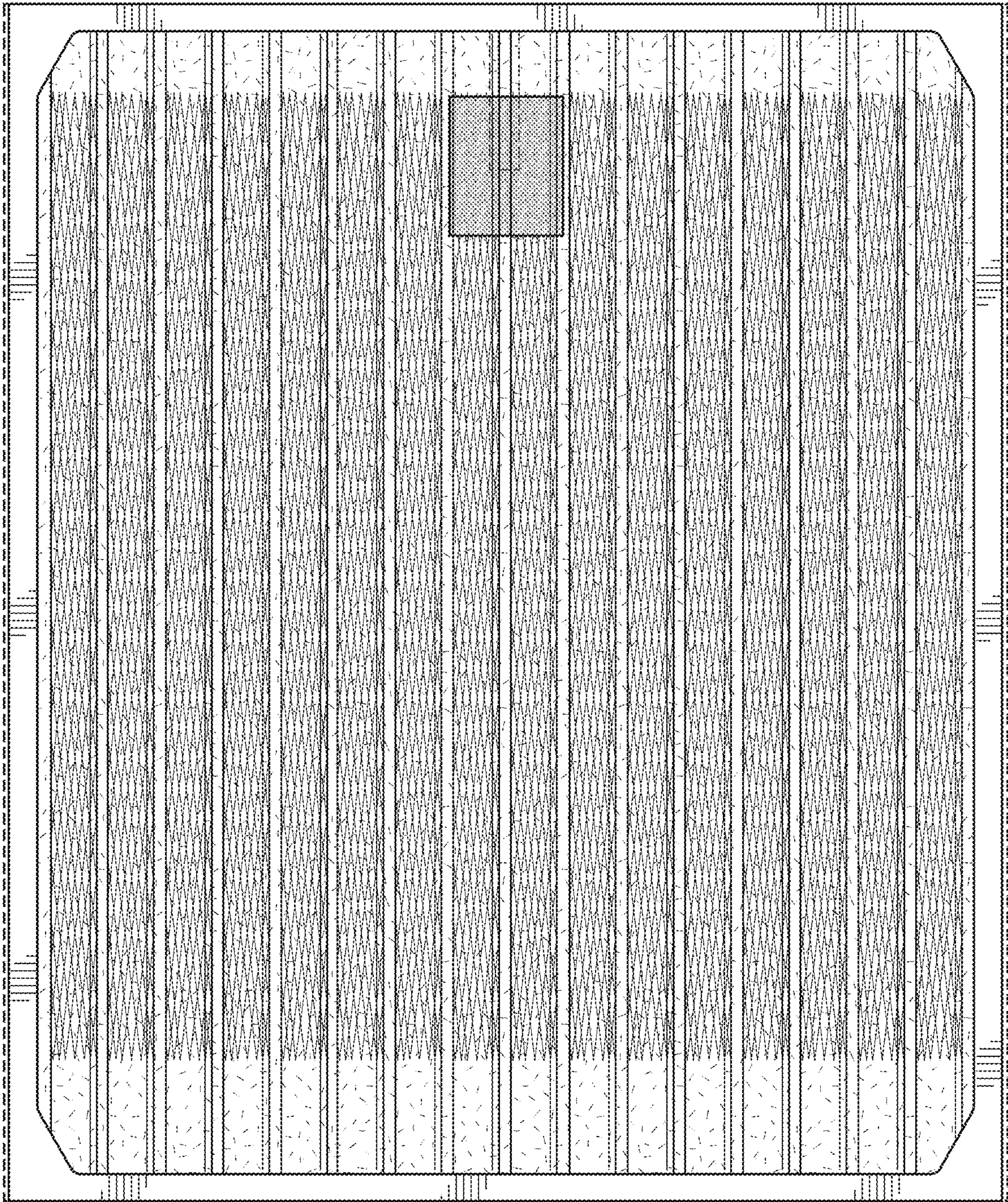


Fig. 2



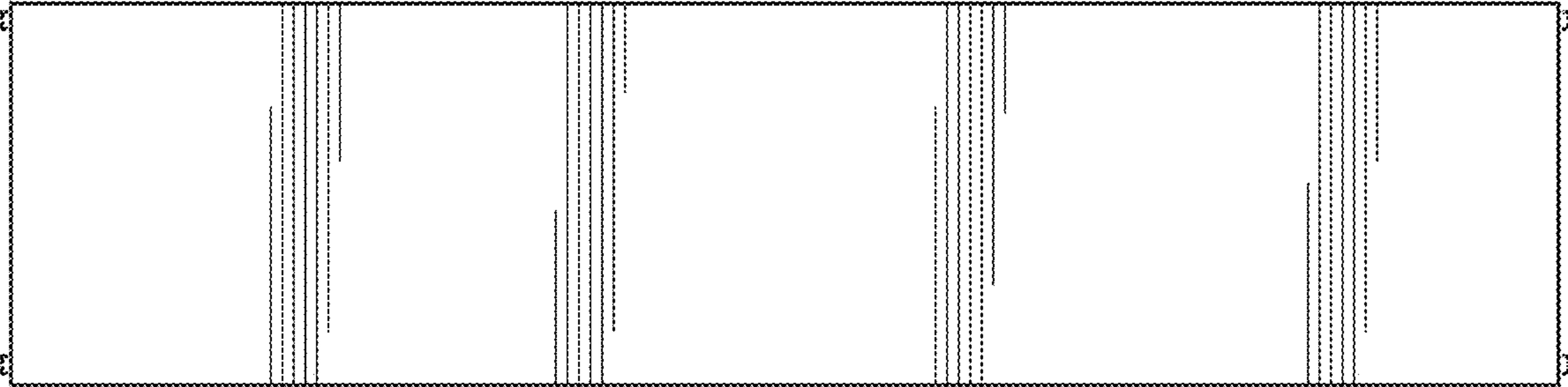


Fig. 4

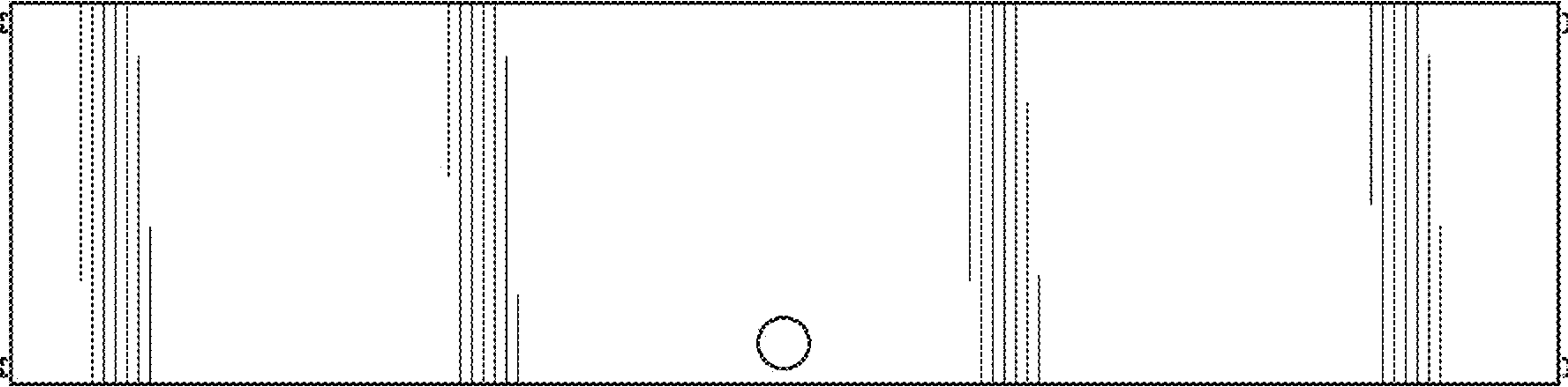


Fig. 3

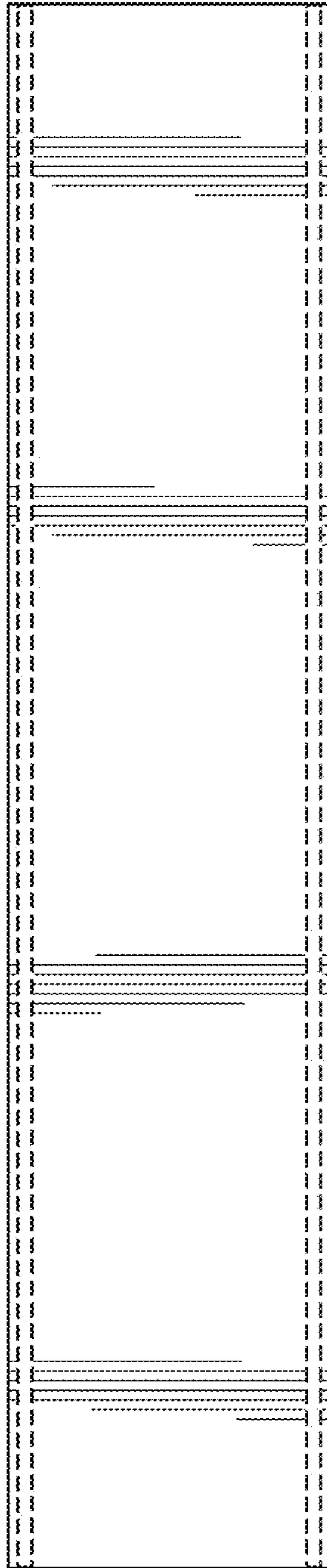


Fig. 5

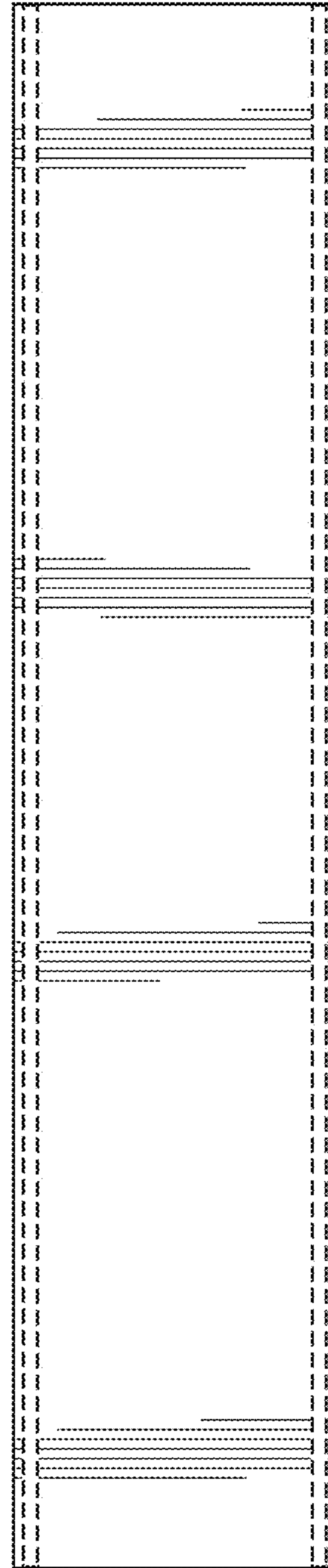


Fig. 6

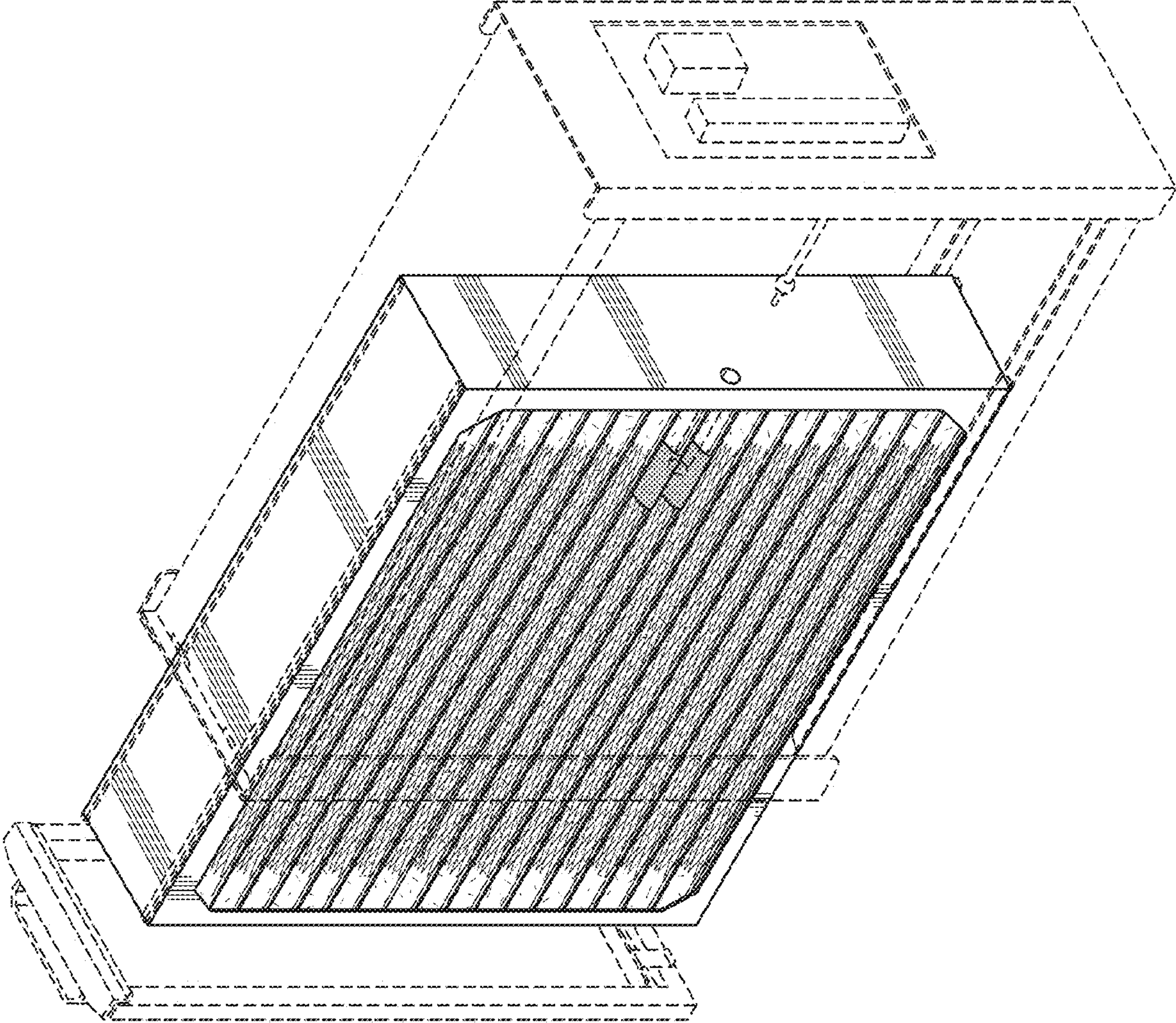


Fig. 7



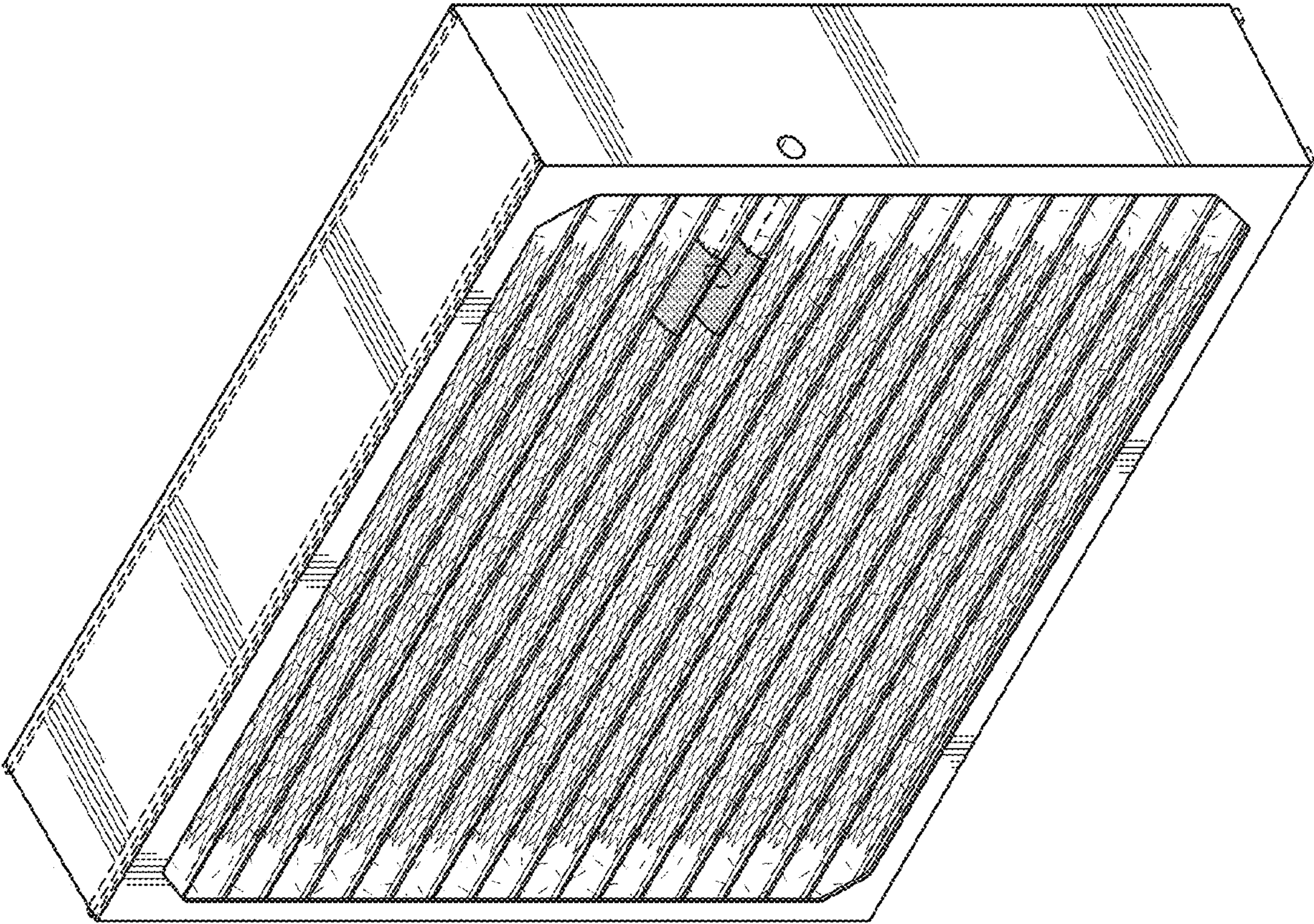


Fig. 8



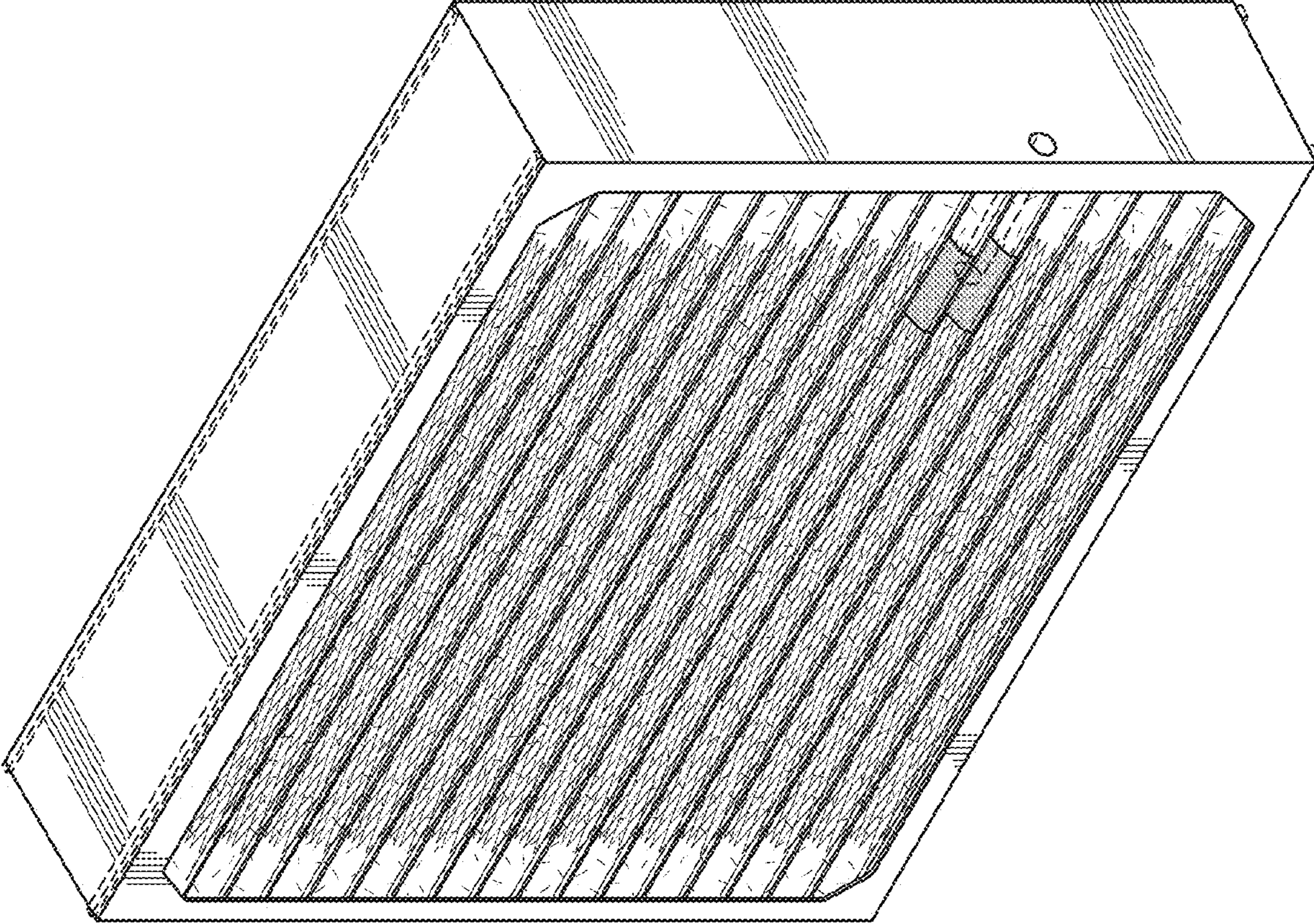


Fig. 9