



US00D914863S

(12) **United States Design Patent** (10) **Patent No.:** **US D914,863 S**
Jeon et al. (45) **Date of Patent:** **** Mar. 30, 2021**

(54) **PORTABLE AIR CLEANER HOLDER**

(56) **References Cited**

(71) Applicant: **LG ELECTRONICS INC.**, Seoul (KR)
(72) Inventors: **Jongkeon Jeon**, Seoul (KR); **Bohyun Kim**, Seoul (KR); **Juhyup Yoon**, Seoul (KR)
(73) Assignee: **LG ELECTRONICS INC.**, Seoul (KR)
(**) Term: **15 Years**

U.S. PATENT DOCUMENTS

D446,849	S	*	8/2001	Weinberg	D23/364
D585,533	S	*	1/2009	Gao	D23/332
D604,817	S	*	11/2009	Lee	D23/332
7,771,325	B2	*	8/2010	Baker	A63B 22/0605 482/57
D656,230	S	*	3/2012	Robinson	D23/363
D657,036	S	*	4/2012	Vetu	D23/364
D657,857	S	*	4/2012	Choi	D23/364
D664,636	S	*	7/2012	Robinson	D23/360
D675,303	S	*	1/2013	Raupach	D23/364
D681,790	S	*	5/2013	Jinsoo	D23/364
D729,921	S	*	5/2015	Poindexter	D23/364
D730,506	S	*	5/2015	Poindexter	D23/364
D797,272	S	*	9/2017	Poindexter	D23/364
D797,914	S	*	9/2017	Nygren	D23/364
D797,915	S	*	9/2017	Lewis	D23/364
D799,015	S	*	10/2017	Tang	D23/364
D802,112	S	*	11/2017	Jeon	D23/364

(Continued)

Primary Examiner — Richard E Chilcot
(74) *Attorney, Agent, or Firm* — Birch, Stewart, Kolasch & Birch, LLP

(21) Appl. No.: **35/508,063**

(22) Filed: **Jun. 13, 2019**

(80) **Hague Agreement Data**

Int. Filing Date: **Jun. 13, 2019**
Int. Reg. No.: **DM/203500**
Int. Reg. Date: **Jun. 13, 2019**
Int. Reg. Pub. Date: **Dec. 13, 2019**

(57) **CLAIM**

The ornamental design for a portable air cleaner holder, as shown and described.

(51) **LOC (13) Cl.** **23-04**

(52) **U.S. Cl.**
USPC **D23/364**
CPC **F24F 11/30** (2018.01)

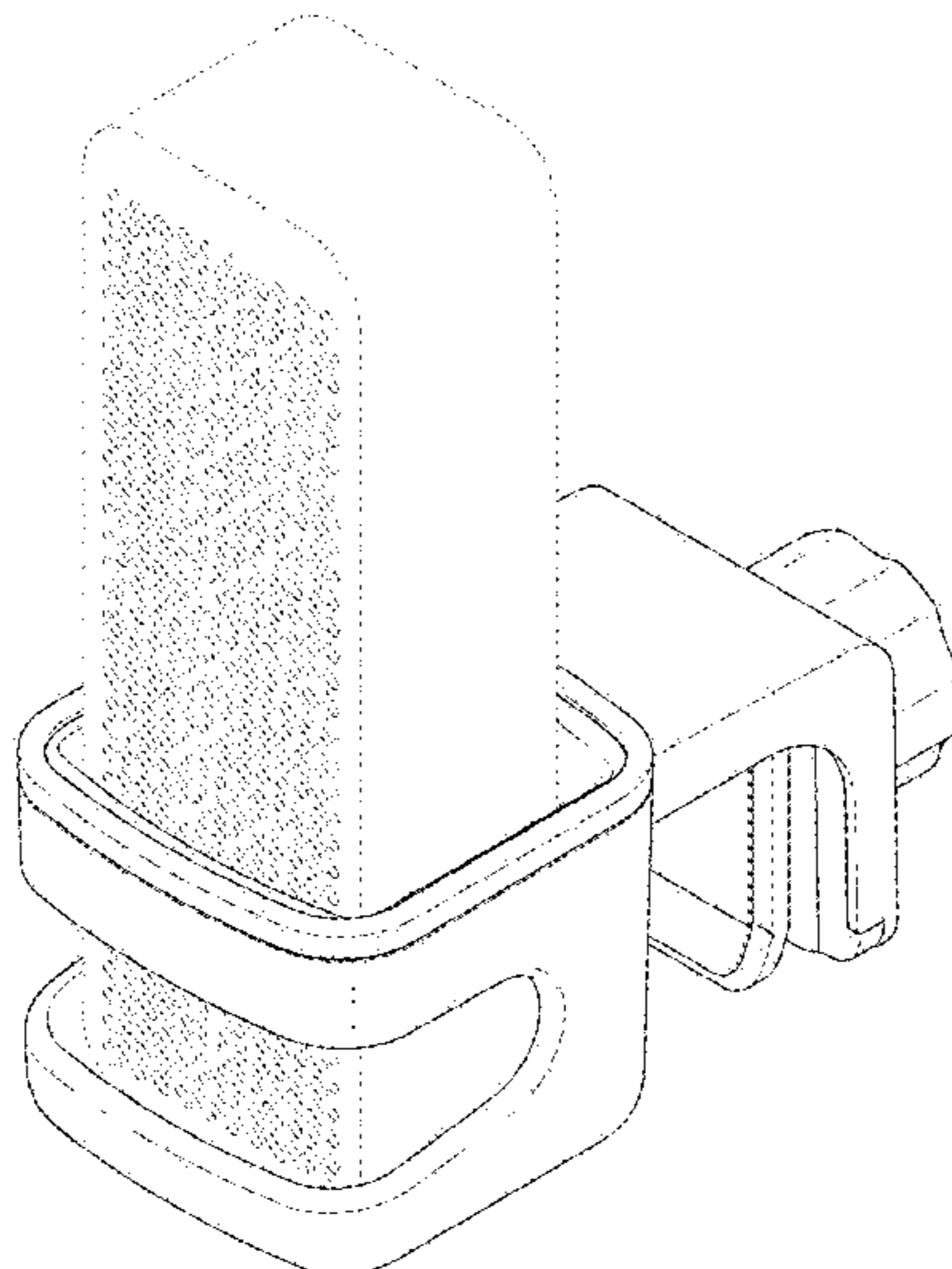
DESCRIPTION

(58) **Field of Classification Search**
USPC D11/143–145, 152–154, 355, 356, 359, D11/364, 370, 386; D23/355, 356, 359, D23/364–370, 386
CPC .. F24F 11/30; F24F 11/52; F24F 11/58; F24F 11/62; F24F 11/89; F24F 2120/10; F24F 11/33; F24F 11/34; F24F 11/46; F24F 11/64; F24F 11/70; F24F 11/75; F24F 13/24; F24F 2003/1628; F24F 2003/1667; F24F 2013/242; F24F 2110/10; F24F 2110/20; F24F 2110/64; F24F 2120/00; F24F 2140/50; F24F 2221/38; F24F 3/1603; F24F 3/166

- 1. Portable air cleaner holder
- 1.1 : Perspective
- 1.2 : Rear perspective view
- 1.3 : Front
- 1.4 : Back
- 1.5 : Left
- 1.6 : Right
- 1.7 : Top
- 1.8 : Bottom
- 1.9 : Perspective view of the air cleaner holder in use holding a portable air cleaner. The portable air cleaner is shown in broken lines and is not part of the claimed design.

See application file for complete search history.

1 Claim, 9 Drawing Sheets



(56)

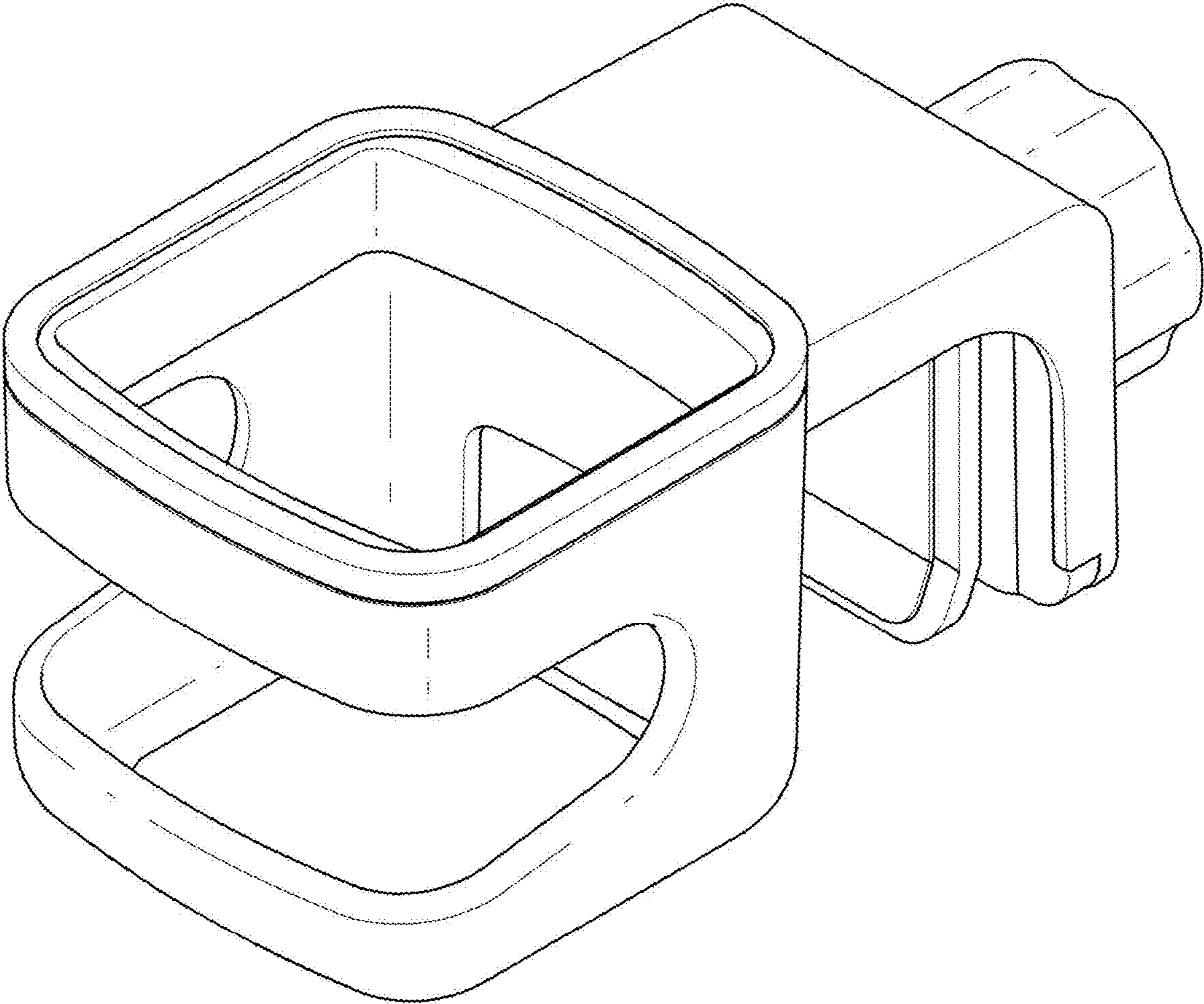
References Cited

U.S. PATENT DOCUMENTS

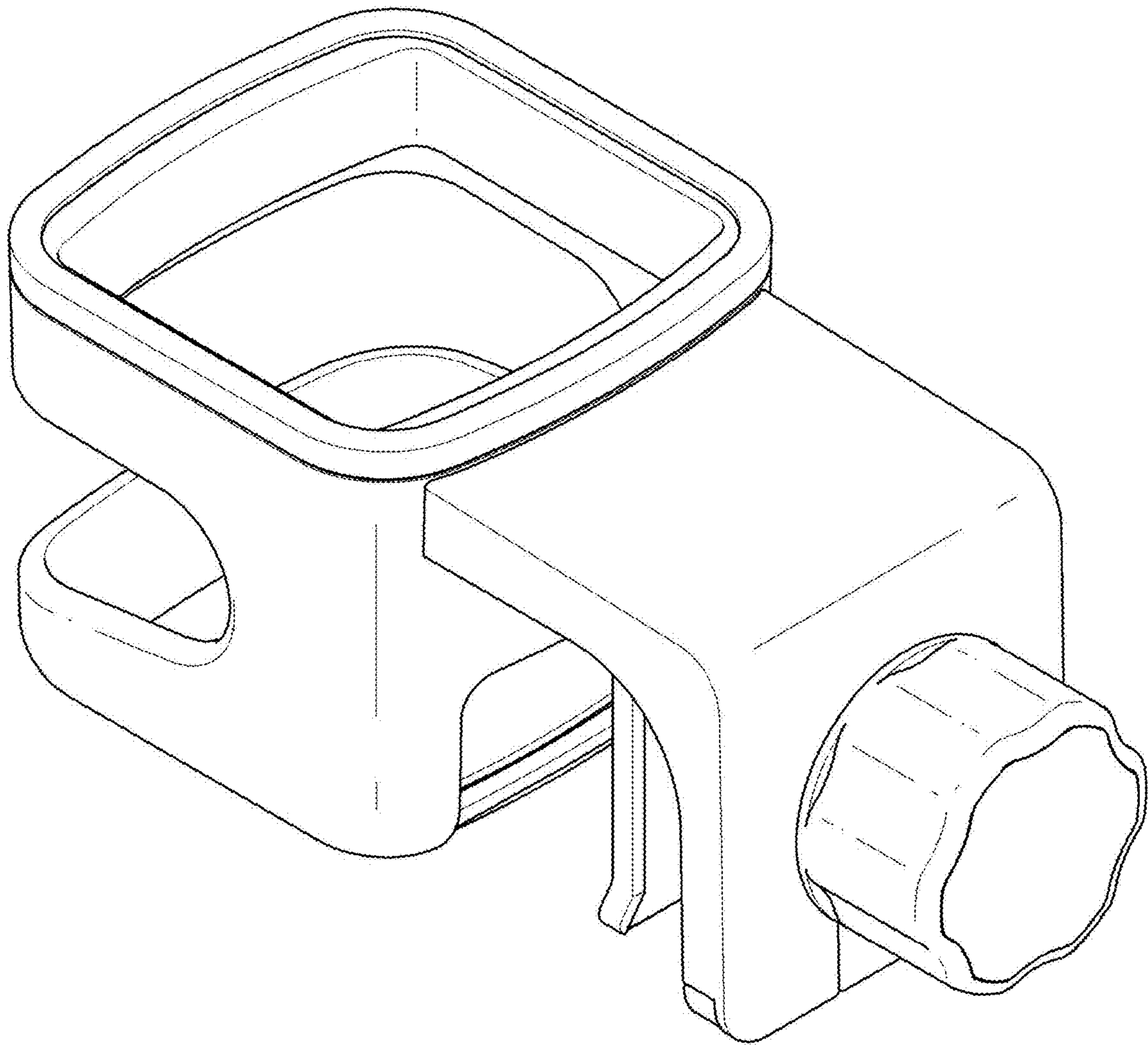
D803,368 S	*	11/2017	Priester	D23/364
D805,622 S	*	12/2017	Lee	D23/364
D807,997 S	*	1/2018	Seo	D23/364
D819,797 S	*	6/2018	Mann	D23/364
D824,504 S	*	7/2018	Williams	D23/360
D855,169 S	*	7/2019	Zhong	D23/364
D862,673 S	*	10/2019	Tang	D23/364
D865,148 S	*	10/2019	Yoon	D23/364
D865,149 S	*	10/2019	Lin	D23/364
D876,599 S	*	2/2020	He	D23/364
D877,873 S	*	3/2020	Pan	D23/364
D877,874 S	*	3/2020	Liu	D23/364
D877,875 S	*	3/2020	Shin	D23/364
D878,530 S	*	3/2020	Pan	D23/364
D890,901 S	*	7/2020	Young	D23/364

* cited by examiner

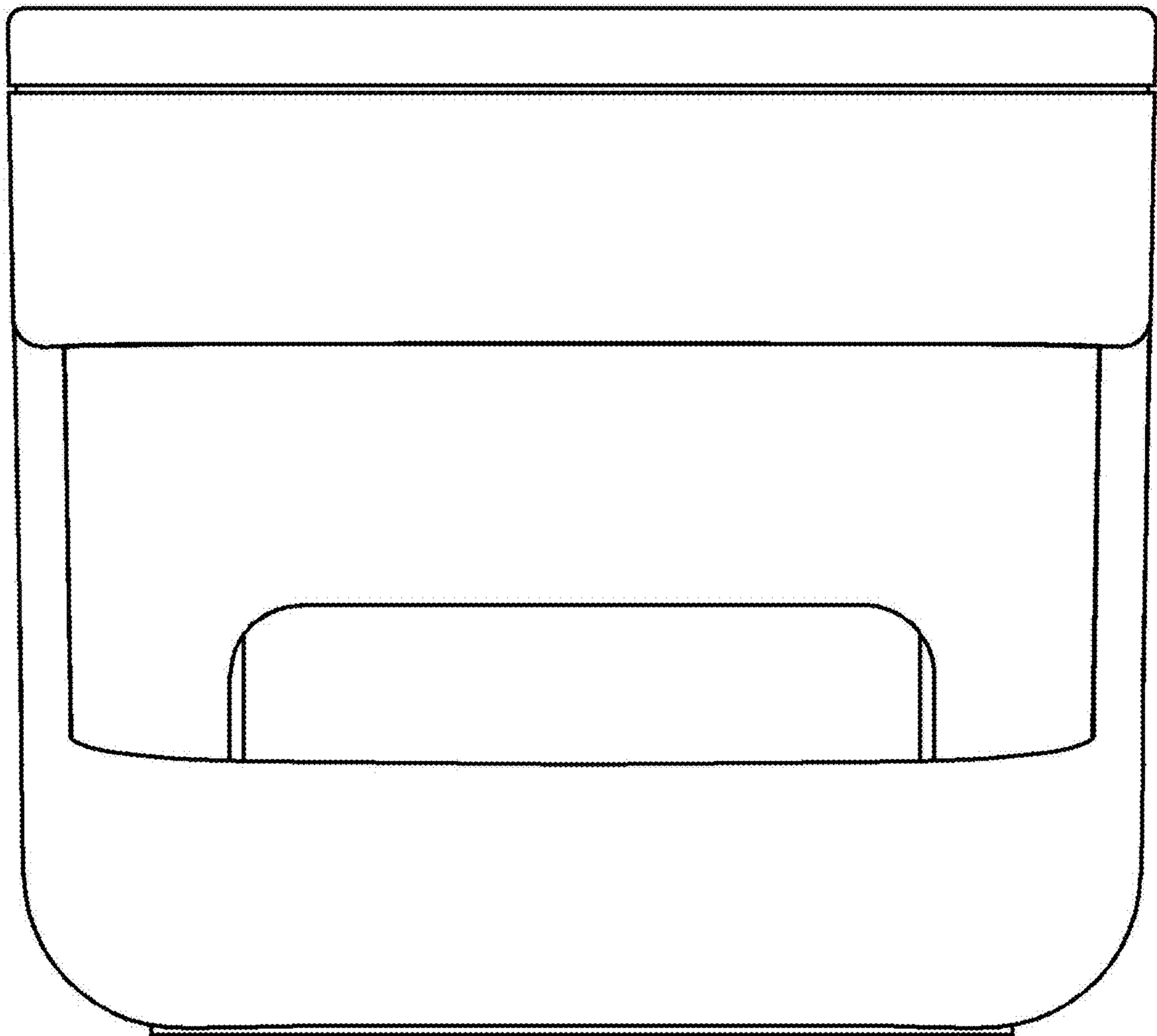
1.1



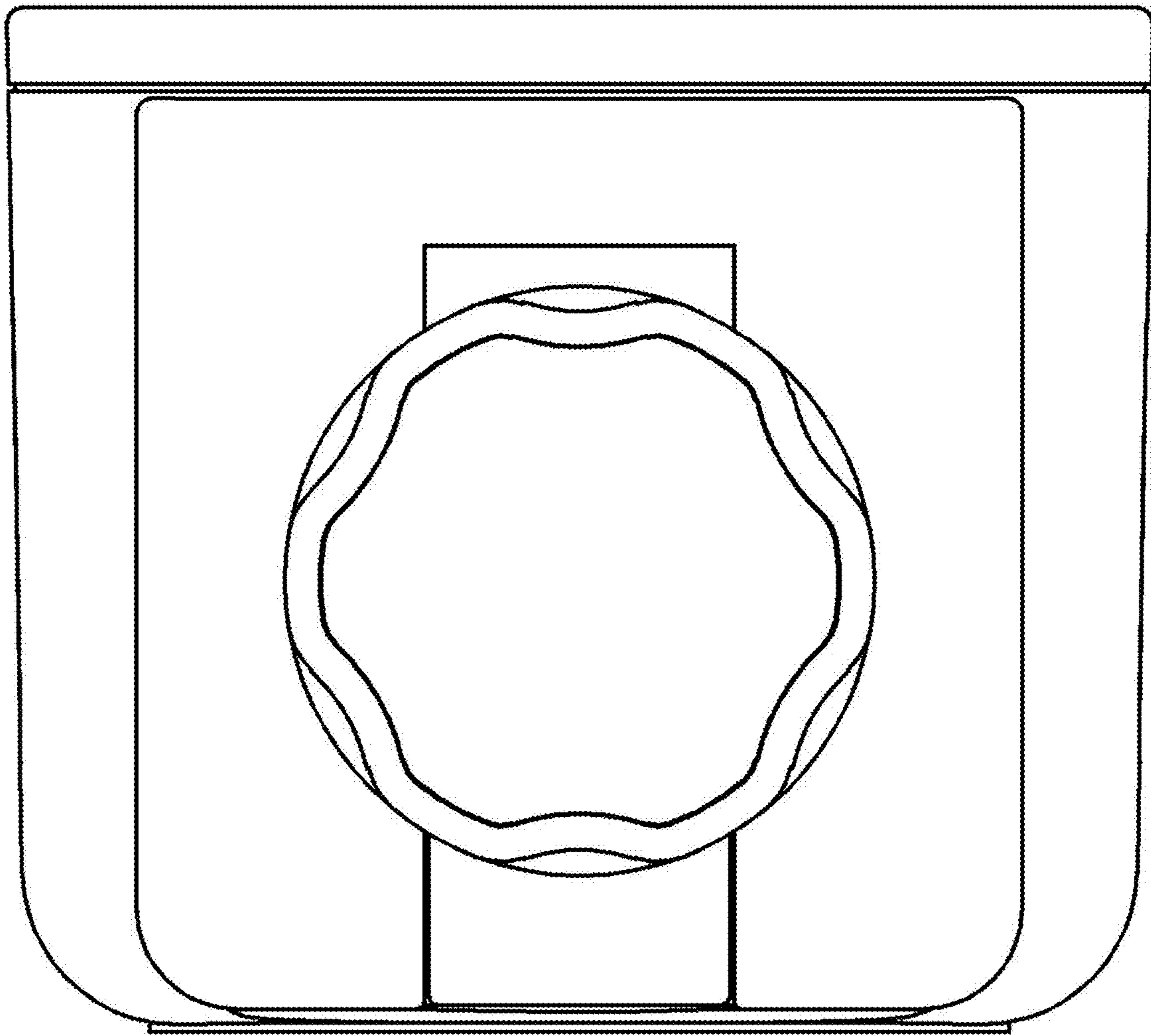
1.2



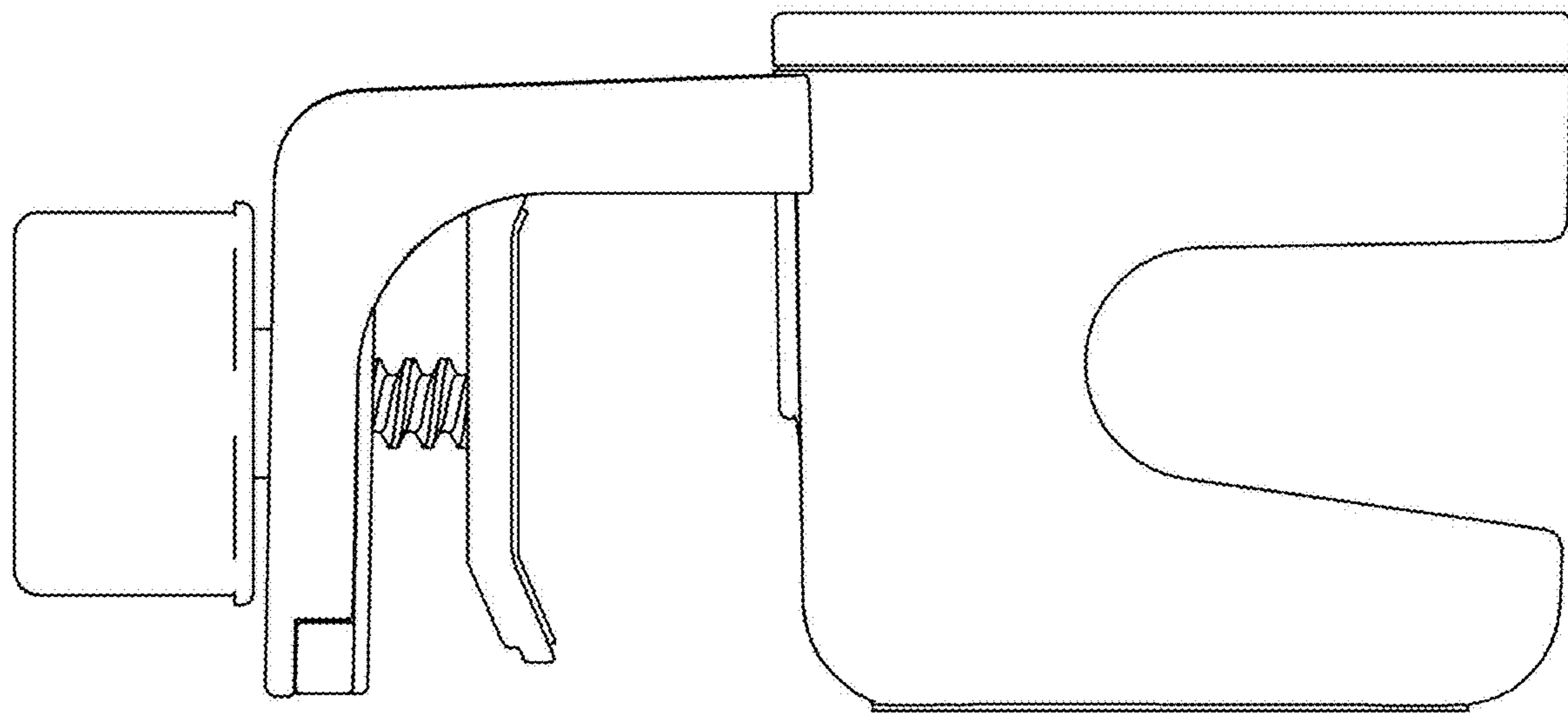
1.3



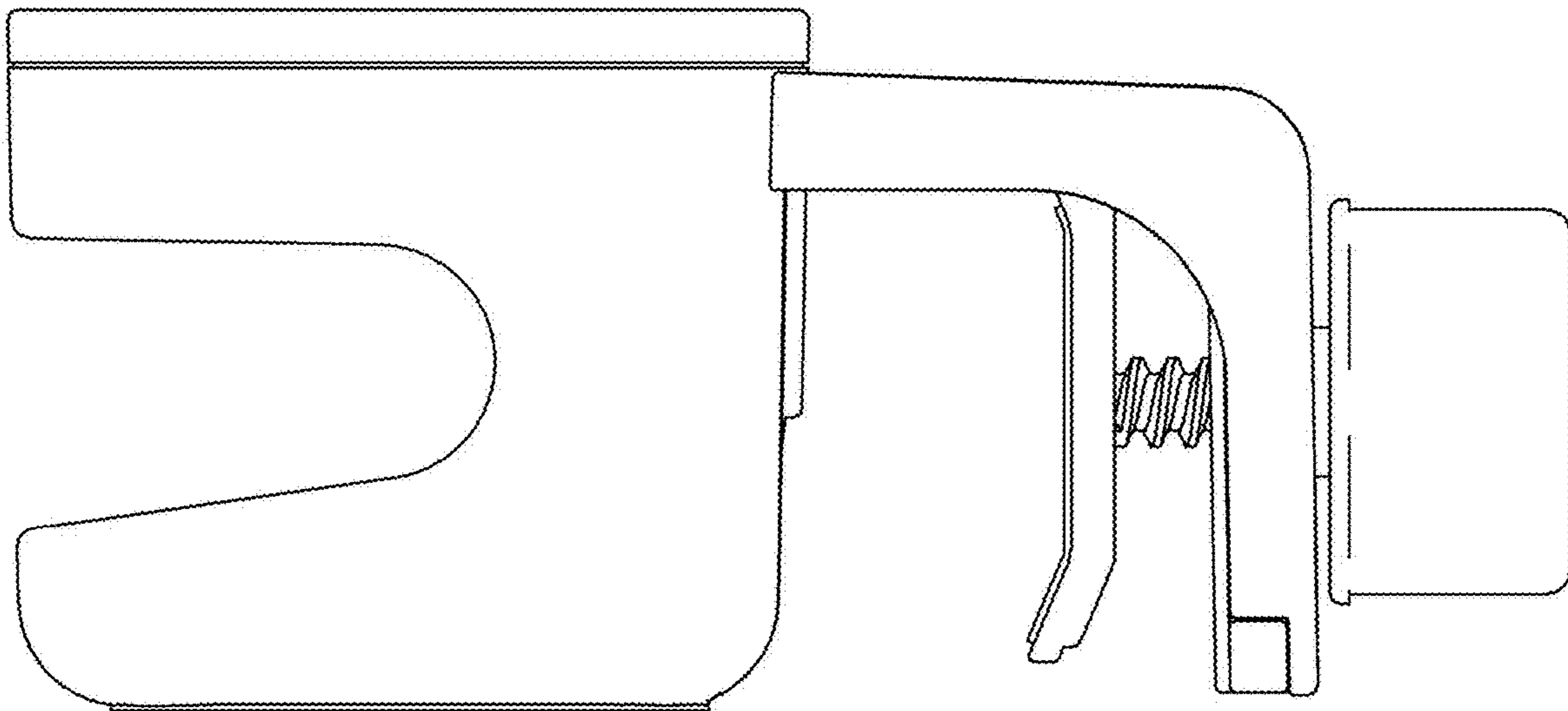
1.4



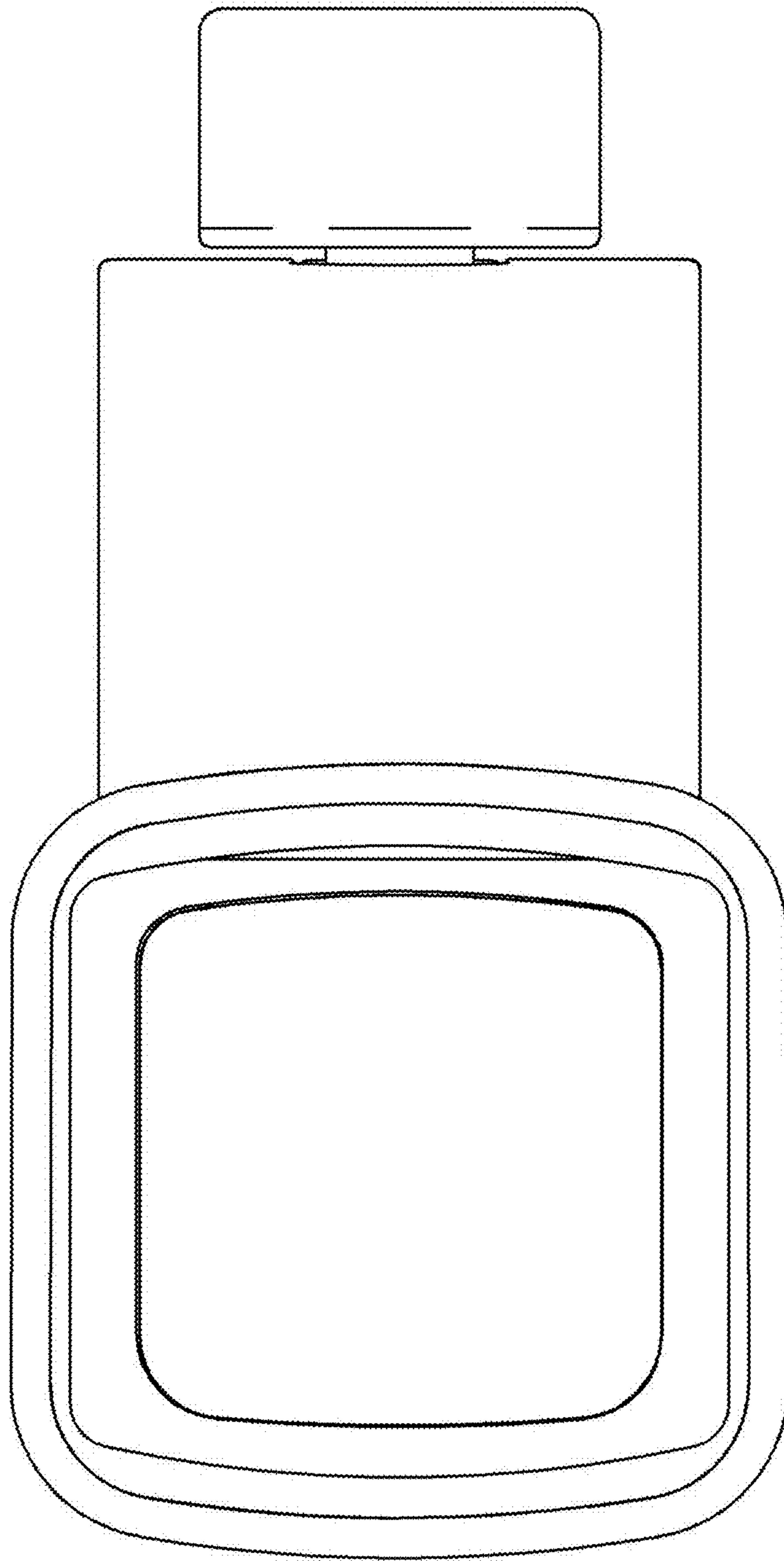
1.5



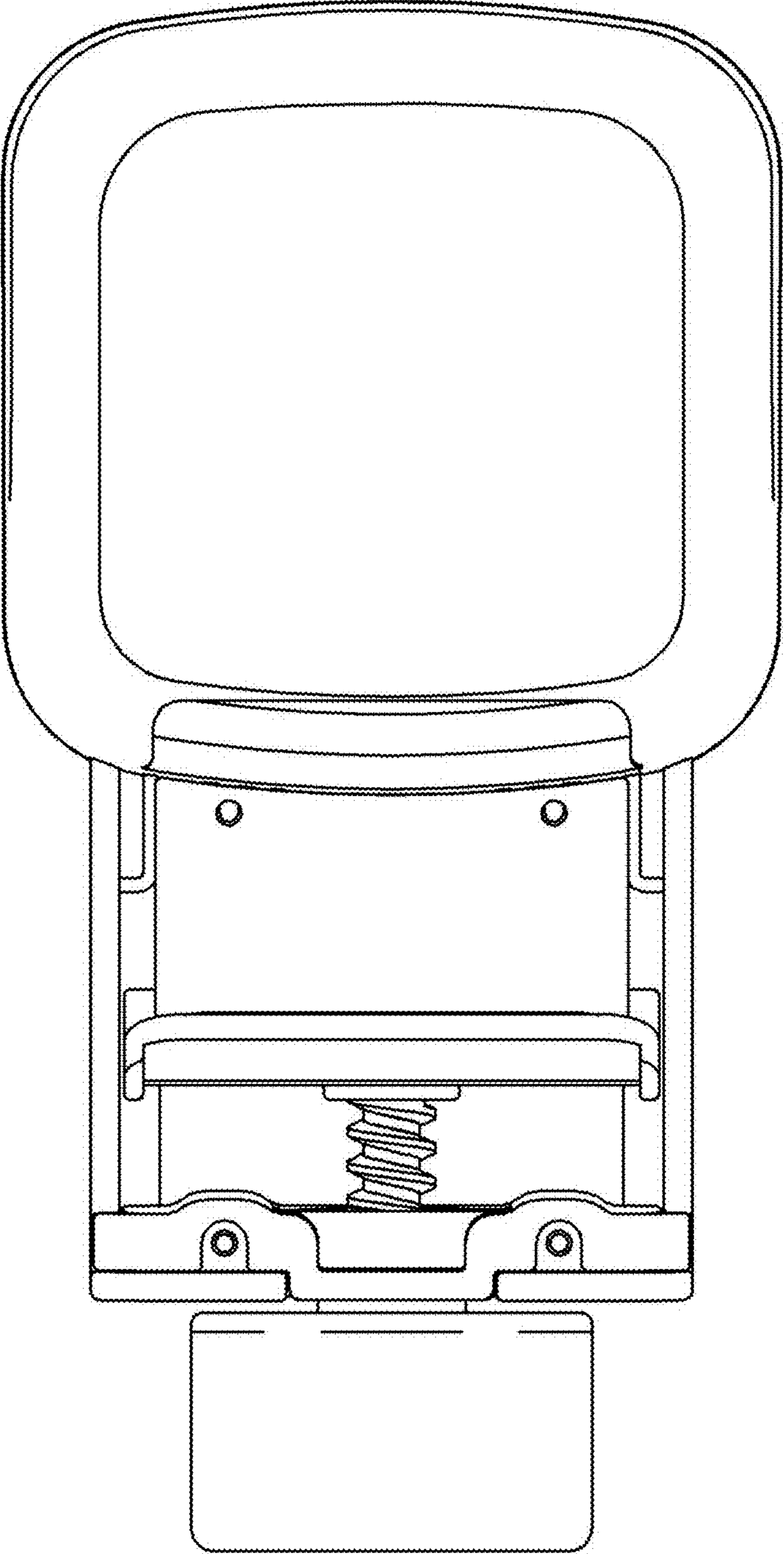
1.6



1.7



1.8



1.9

