



US00D914862S

(12) **United States Design Patent**  
**Makipaa**

(10) **Patent No.:** **US D914,862 S**

(45) **Date of Patent:** **\*\* Mar. 30, 2021**

(54) **AIR PURIFIER**

(71) Applicant: **IAQ Laboratory Limited**, Hong Kong (HK)

(72) Inventor: **Vesa Makipaa**, Hong Kong (HK)

(73) Assignee: **IAQ Labortatory Limited**, Hong Kong (CN)

(\*\*) Term: **15 Years**

(21) Appl. No.: **29/685,072**

(22) Filed: **Mar. 26, 2019**

(30) **Foreign Application Priority Data**

Sep. 27, 2018 (EM) ..... 005662384

(51) **LOC (13) Cl.** ..... **23-04**

(52) **U.S. Cl.**  
USPC ..... **D23/364**

(58) **Field of Classification Search**  
USPC ..... D23/355–366, 352, 369, 332, 333, 335,  
D23/336, 342, 351; 422/120, 122;  
55/356, 473, 504; 96/97; 261/DIG. 17,  
261/DIG. 65, DIG. 88, DIG. 31  
CPC .. A61L 9/16; A61L 9/22; B01D 47/00; B01D  
47/027; B01D 2221/02; B01D 2259/4508;  
B03C 3/155; B03C 3/368; F24F 3/16;  
F24F 13/20; F24F 13/28; F24F  
2001/0096

See application file for complete search history.

(56) **References Cited**

**U.S. PATENT DOCUMENTS**

D633,610 S \* 3/2011 Wu ..... D23/366  
D644,725 S \* 9/2011 Kim ..... D23/366

D647,193 S \* 10/2011 Kim ..... D23/366  
D674,069 S \* 1/2013 Vetu ..... D23/364  
8,603,397 B2 \* 12/2013 Gruenbacher ..... A61L 9/145  
422/124  
D719,249 S \* 12/2014 Lim ..... D23/364  
D729,920 S \* 5/2015 Lim ..... D23/364  
D731,045 S \* 6/2015 Huang ..... D23/364  
D733,278 S \* 6/2015 Newlin ..... D23/366  
D737,419 S \* 8/2015 Emarlou ..... D23/360  
D748,771 S \* 2/2016 Dietrich ..... D23/366  
D840,010 S \* 2/2019 Schumann ..... D23/342  
D842,975 S \* 3/2019 Schumann ..... D23/342

\* cited by examiner

*Primary Examiner* — David G Muller

(74) *Attorney, Agent, or Firm* — Jeffrey Joyce, Esq.

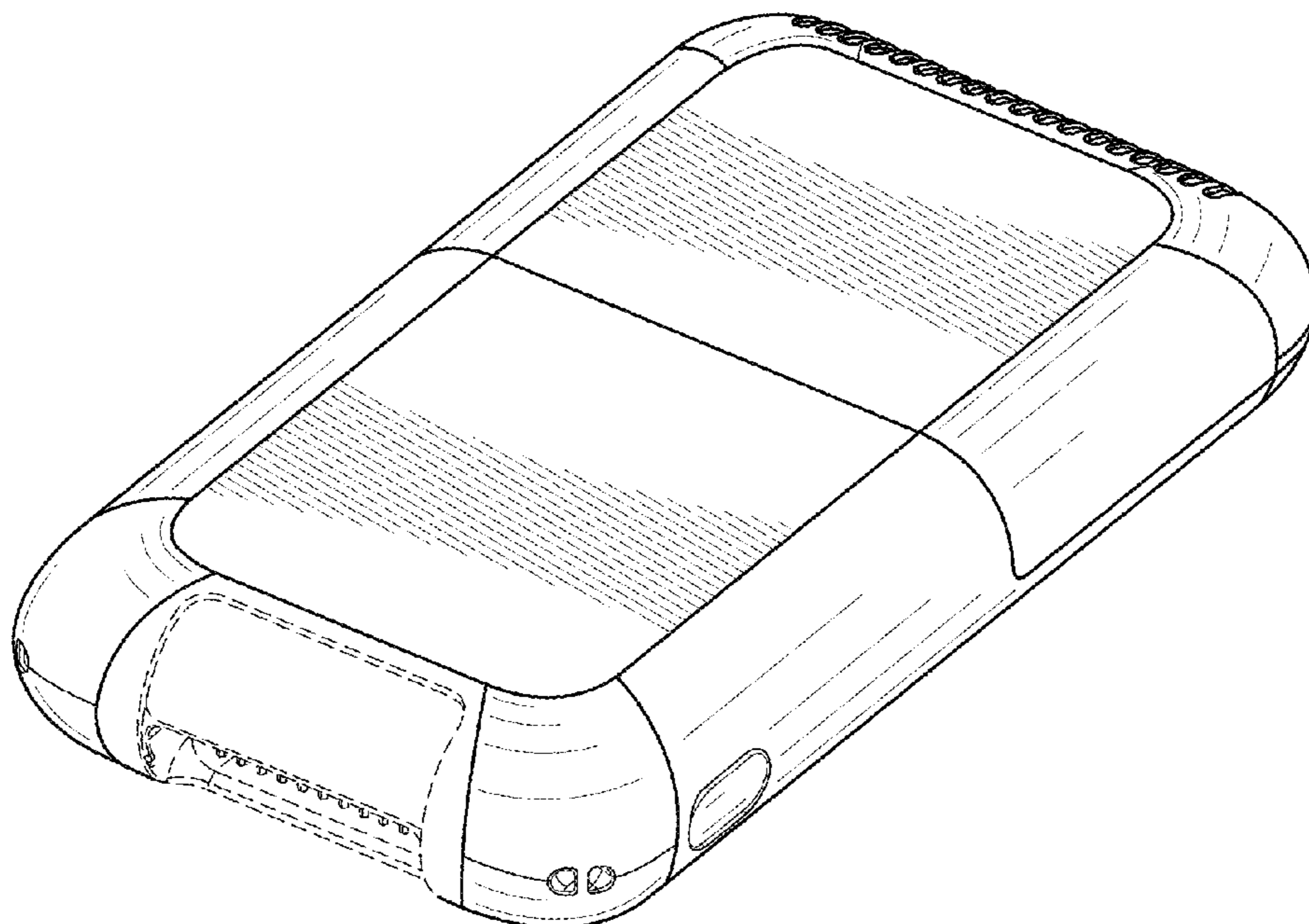
(57) **CLAIM**

The ornamental design for an air purifier, as shown and described.

**DESCRIPTION**

FIG. 1 is a perspective view of the air purifier according to the invention showing the top, back and side.  
FIG. 2 is a front view of the air purifier.  
FIG. 3 is a back view of the air purifier.  
FIG. 4 is a top view of the air purifier.  
FIG. 5 is a bottom view of the air purifier.  
FIG. 6 is a right side view of the air purifier; and,  
FIG. 7 is a left side view of the air purifier.  
The broken lines are for the purpose of illustrating environment and form no part of the claimed design.

**1 Claim, 7 Drawing Sheets**



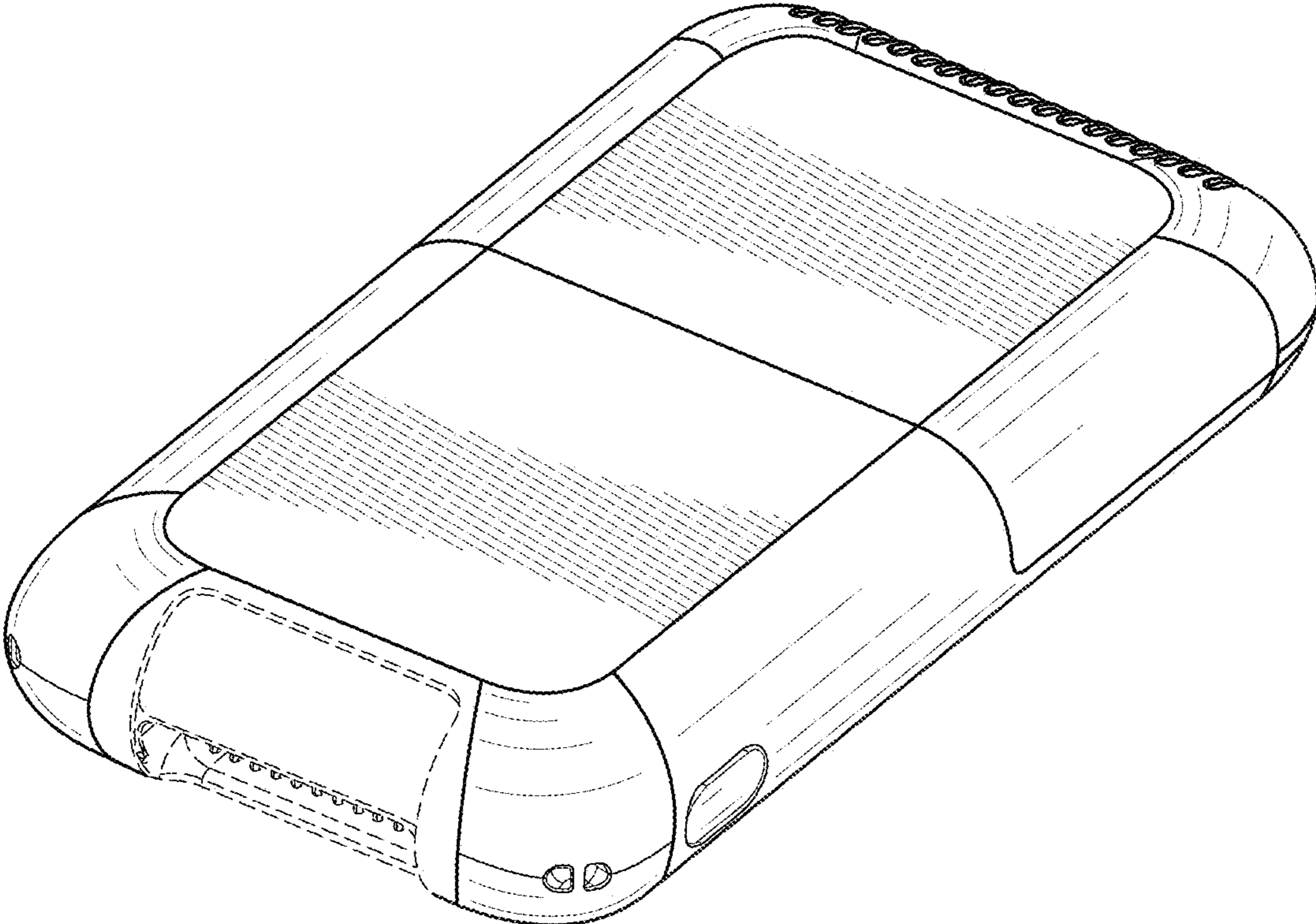


FIG. 1

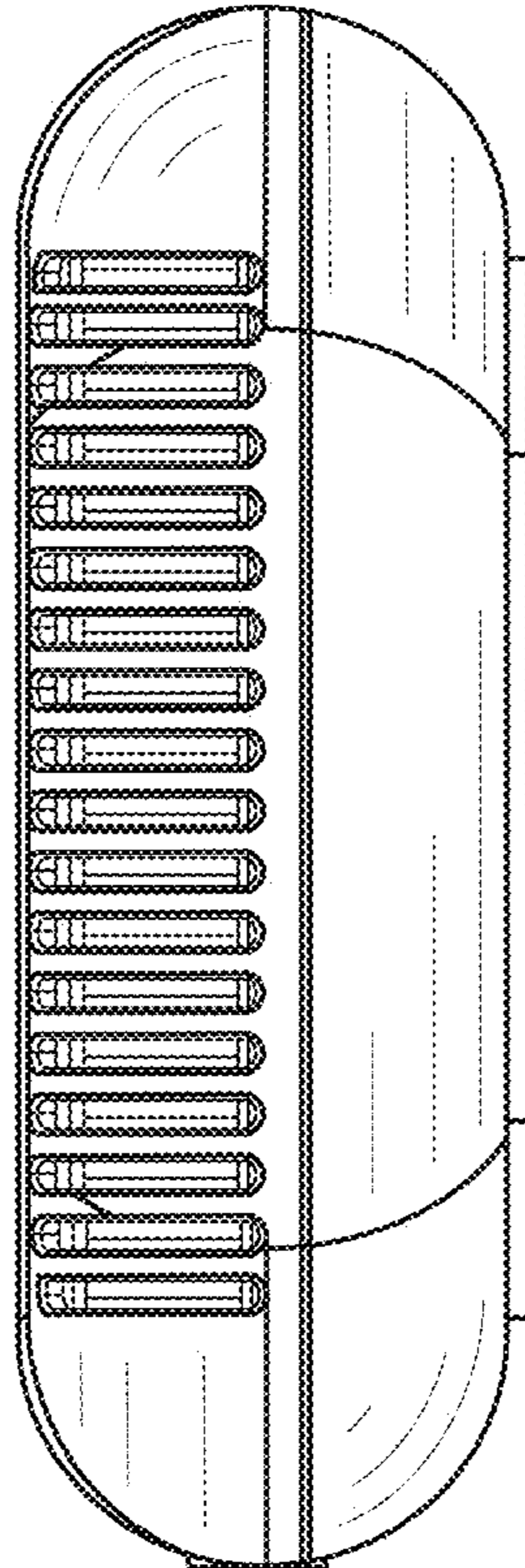


FIG. 2

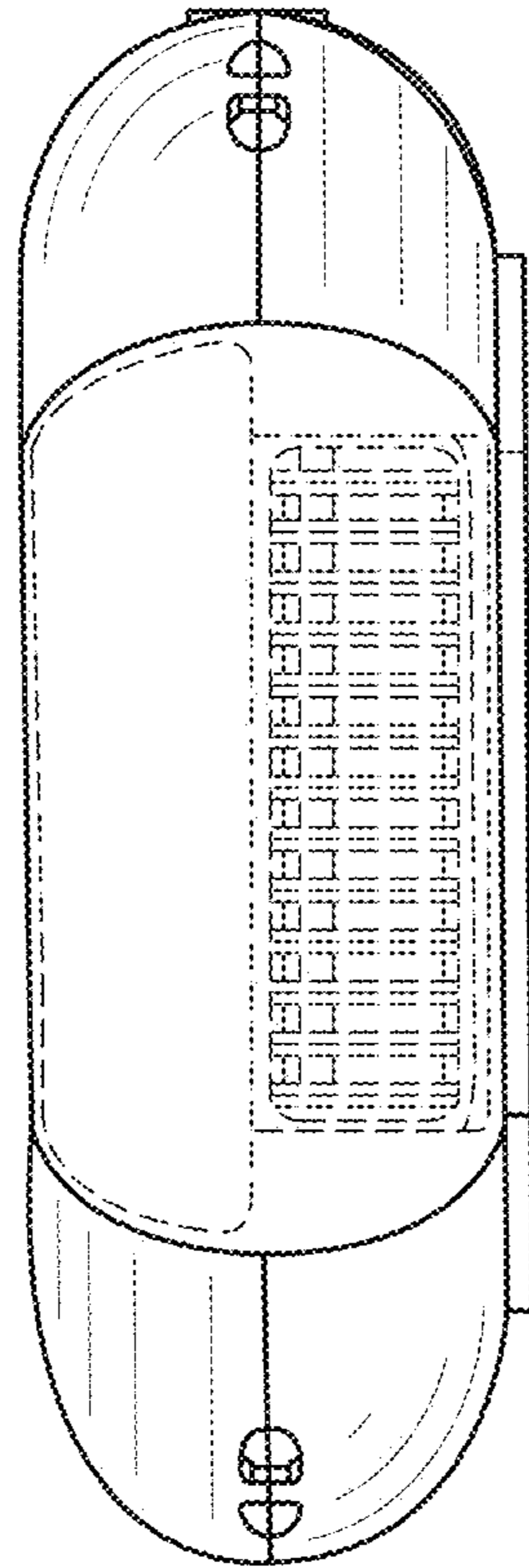


FIG. 3

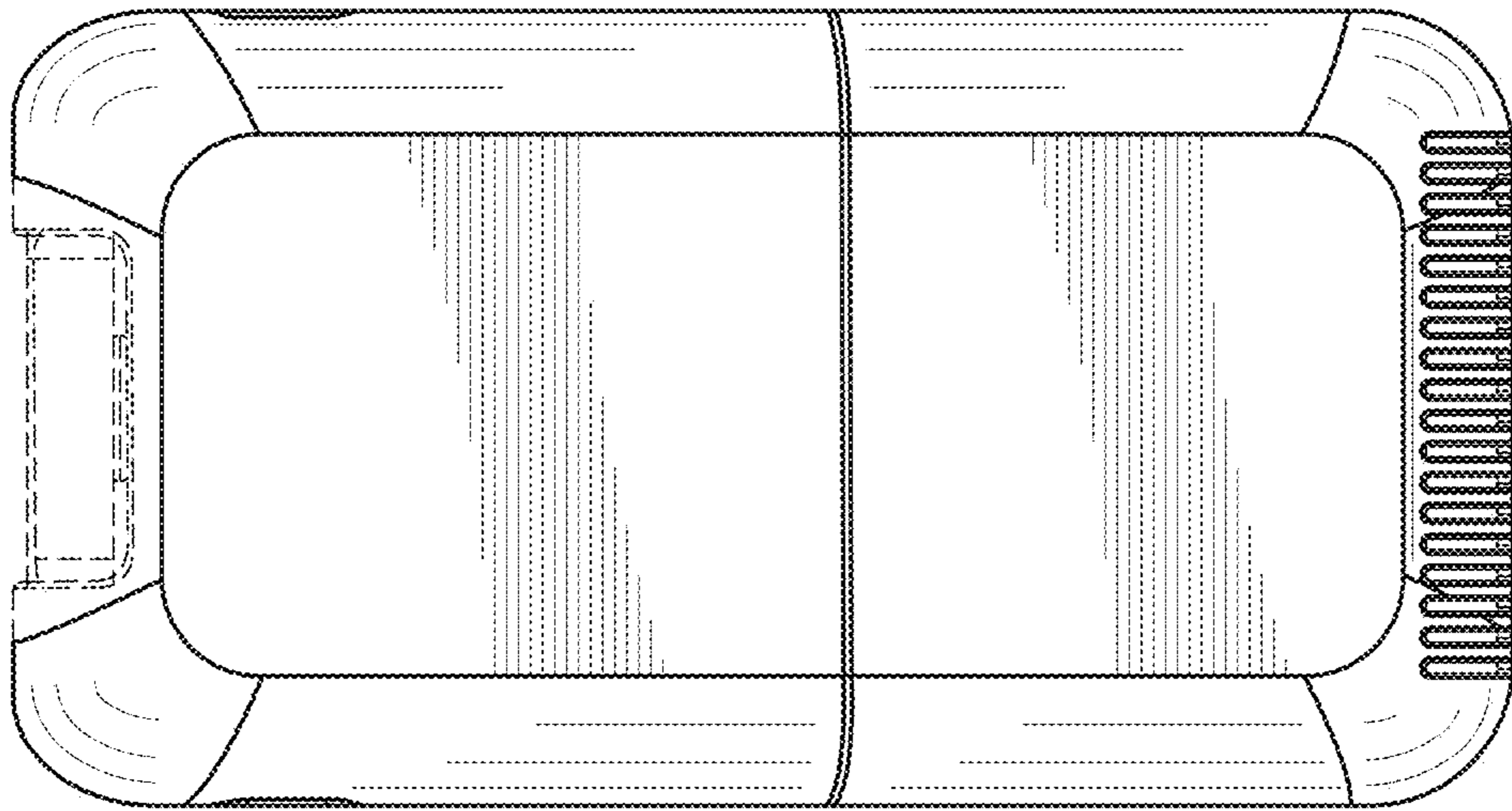


FIG. 4

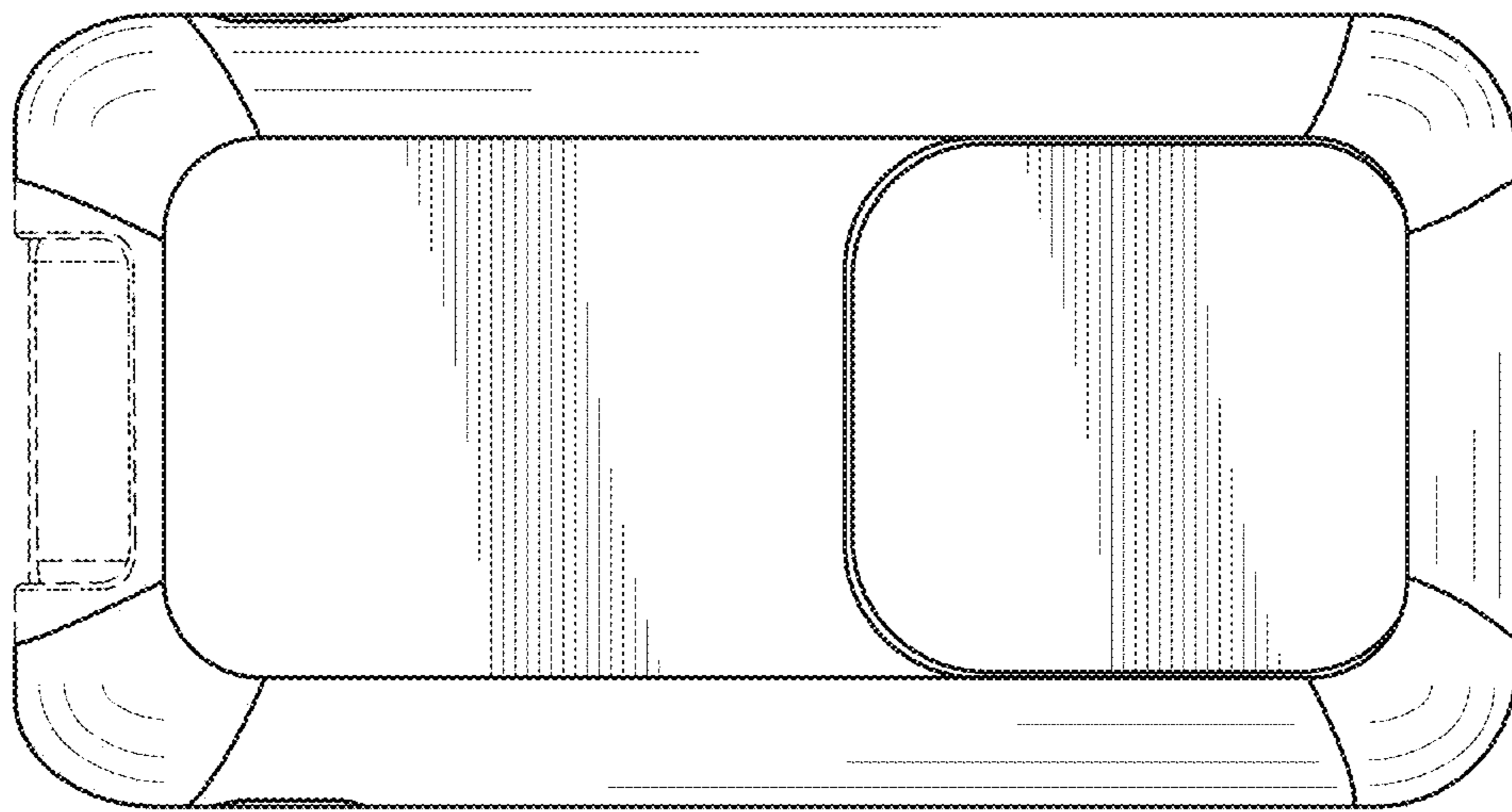


FIG. 5

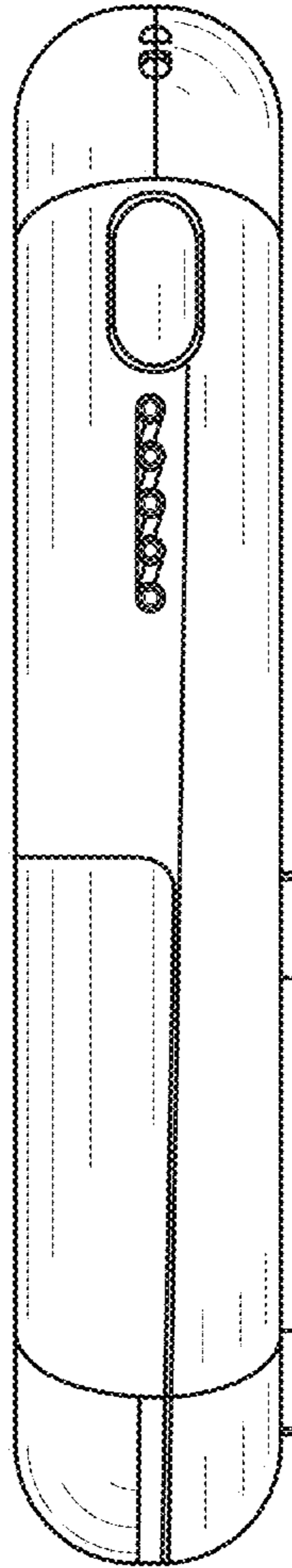


FIG. 6

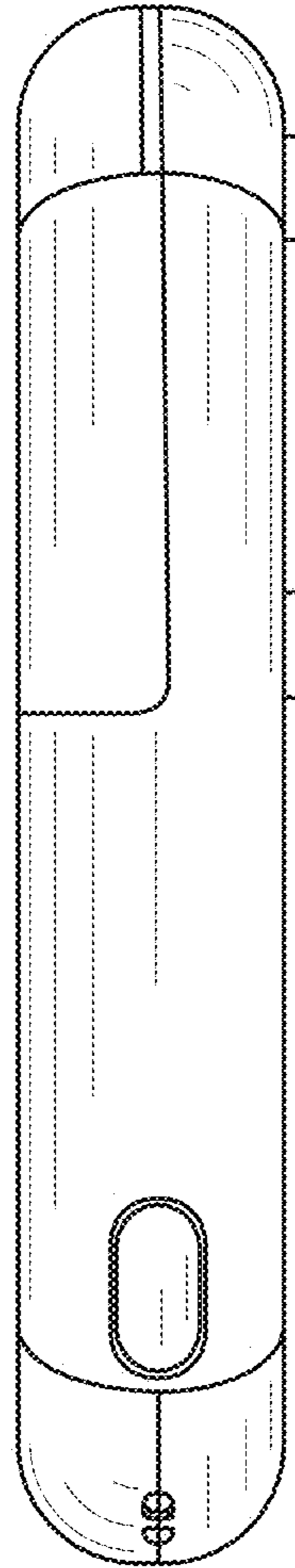


FIG. 7



UNITED STATES PATENT AND TRADEMARK OFFICE  
**CERTIFICATE OF CORRECTION**

PATENT NO. : D914,862 S  
APPLICATION NO. : 29/685072  
DATED : March 30, 2021  
INVENTOR(S) : Vesa Makipaa

Page 1 of 1

It is certified that error appears in the above-identified patent and that said Letters Patent is hereby corrected as shown below:

On the Title Page

The name of the Assignee is spelled: IAQ Laboratory Limited

Signed and Sealed this  
Twenty-seventh Day of July, 2021



Drew Hirshfeld  
*Performing the Functions and Duties of the  
Under Secretary of Commerce for Intellectual Property and  
Director of the United States Patent and Trademark Office*