



US00D914858S

(12) **United States Design Patent** (10) **Patent No.:** **US D914,858 S**
Jan (45) **Date of Patent:** **** Mar. 30, 2021**

(54) **BONFIRE PIT STAND**

FOREIGN PATENT DOCUMENTS

(71) Applicant: **Frontline Advance LLC**, Southlake, TX (US)

GB 4019113 * 3/2011

(72) Inventor: **Jeffrey Jan**, Fort Worth, TX (US)

OTHER PUBLICATIONS

(73) Assignee: **FRONTLINE ADVANCE, LLC**, Southlake, TX (US)

Perforated Tart Ring, announced May 1, 2014[online], [site visited Apr. 9, 2020]. Available from internet, URL:< https://www.amazon.com/PERFORATED-Round-Stainless-0-75-Inch-3-Inch/dp/B00B8KMBO4> (Year: 2014).*

(**) Term: **15 Years**

Precision Wide Width Perforated Circles Steel Mens Ring, reviewed Oct. 30, 2018[online], [site visited Apr. 9, 2020]. Available from internet, URL:<https://www.tribalhollywood.com/products/mens-ring-stainless-steel-perforated-circles-wide-width-bico-australia-precision-ar6?variant=36286560067> (Year: 2018).*

(21) Appl. No.: **29/681,385**

(22) Filed: **Feb. 25, 2019**

(Continued)

(51) **LOC (13) Cl.** **23-03**

(52) **U.S. Cl.**
USPC **D23/343**

(58) **Field of Classification Search**
USPC D23/314, 342-344; D6/683, 406; D7/332; 126/250, 29; 96/6
CPC F24C 3/00; F24C 1/00; F24C 1/16; A47J 37/00; A47J 33/00; A61M 1/36; A61M 1/3627; A61M 1/3643; A61M 1/325
See application file for complete search history.

Primary Examiner — Barbara Fox

Assistant Examiner — Jamaal Rasheed

(74) *Attorney, Agent, or Firm* — Haynes and Boone, LLP

(56) **References Cited**

U.S. PATENT DOCUMENTS

4,572,724 A * 2/1986 Rosenberg A61M 1/3627
128/DIG. 3
D426,686 S * 6/2000 Clausen D32/29
6,532,950 B2 * 3/2003 Meurer F24C 1/16
126/29
6,962,148 B1 * 11/2005 Ashbaugh A47J 33/00
126/250
D652,591 S * 1/2012 Kim D32/25
D722,212 S * 2/2015 Kim D32/29
D722,733 S * 2/2015 Kim D32/29
D743,131 S * 11/2015 Jeon D32/29
D753,357 S * 4/2016 Song D32/29
D813,581 S * 3/2018 Denby D6/683
D878,690 S * 3/2020 Fitzgerald D32/29

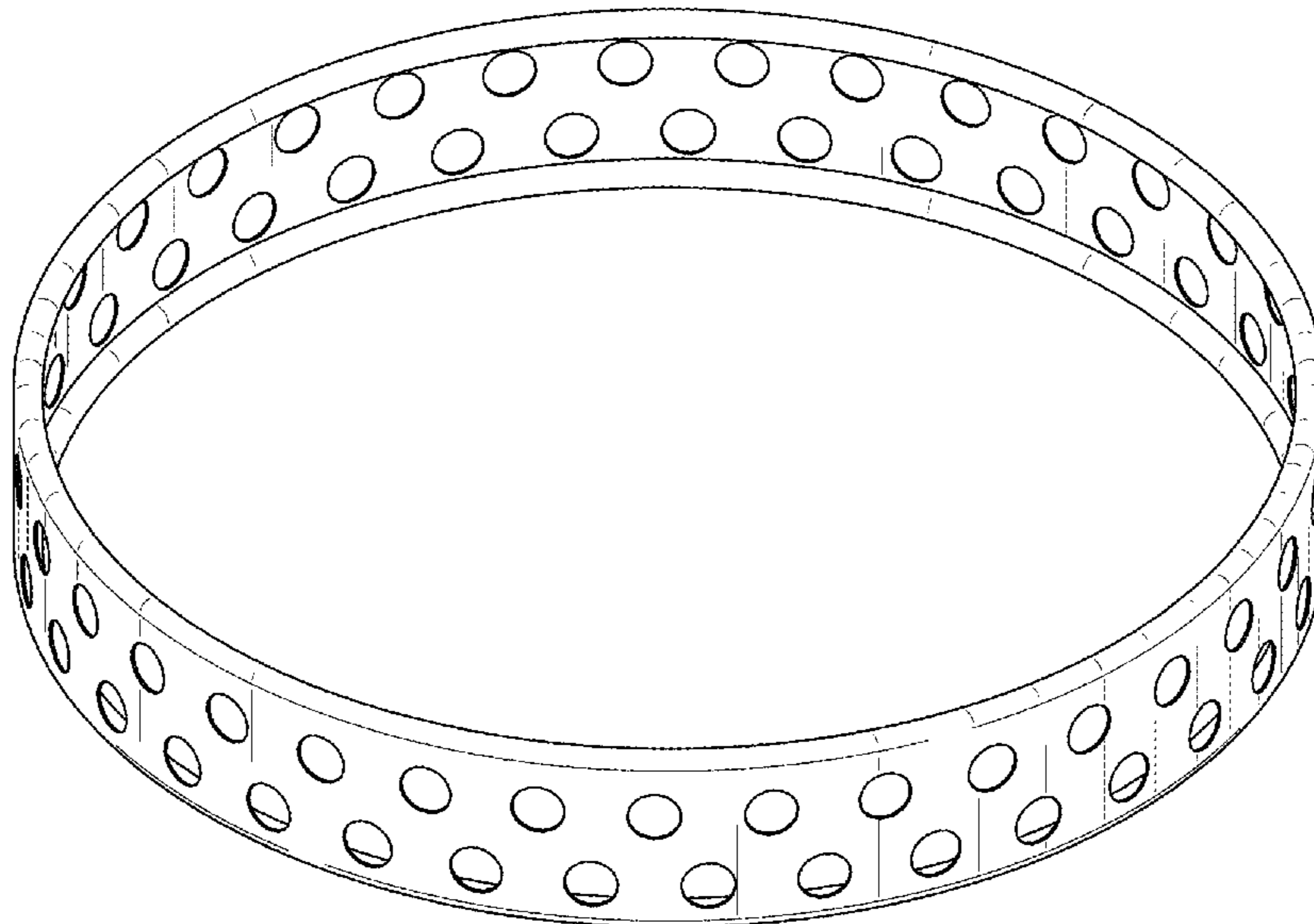
(57) **CLAIM**

The ornamental design for a bonfire pit stand, as shown and described.

DESCRIPTION

FIG. 1 is a top front isometric view of a bonfire pit stand showing my new design;
FIG. 2 is a front elevational view thereof, the back elevational view is a mirror image of the front elevational view;
FIG. 3 is a right elevational view thereof, the left elevational view is a mirror image of the right elevational view;
FIG. 4 is a top plan view thereof, the bottom plan view is a mirror image of the top plan view; and,
FIG. 5 is a cross-sectional view thereof taken along the direction indicated in FIG. 4.

1 Claim, 4 Drawing Sheets



(56)

References Cited

OTHER PUBLICATIONS

Bonfire Stand, reviewed Aug. 16, 2018[online], [site visited Apr. 9, 2020]. Available from internet, URL:<<https://www.homedepot.com/p/Solo-Stove-Bonfire-Stand-BON-STAND/309224139>> (Year: 2018).*

* cited by examiner

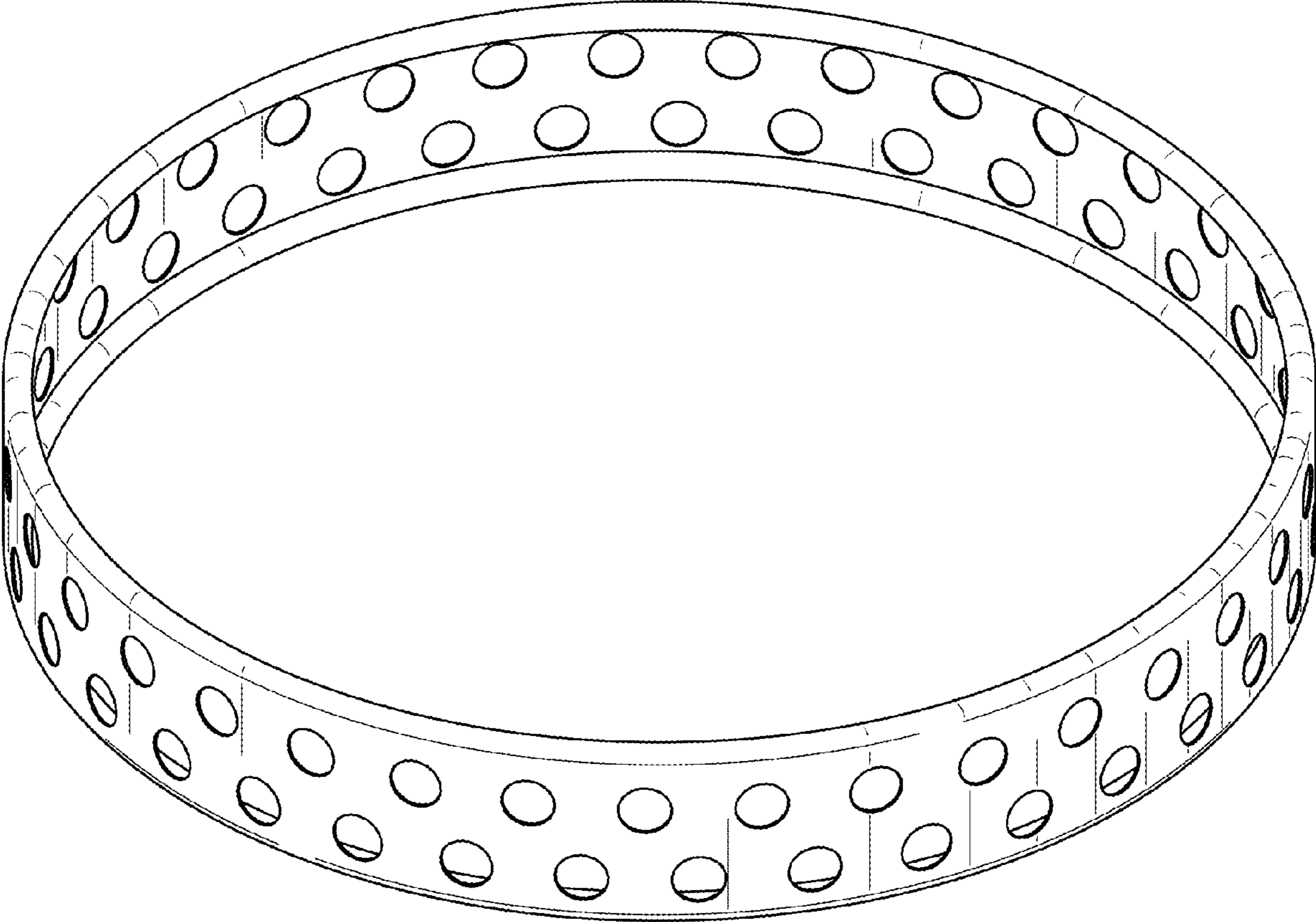


FIG. 1

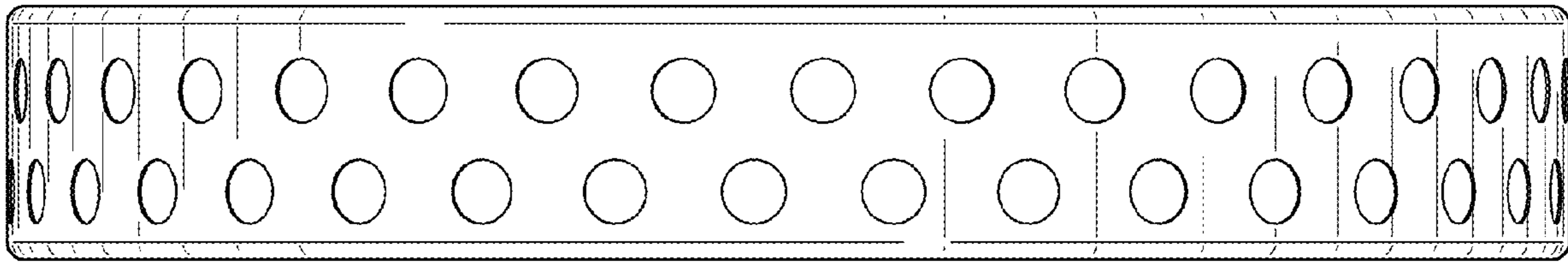


FIG. 2

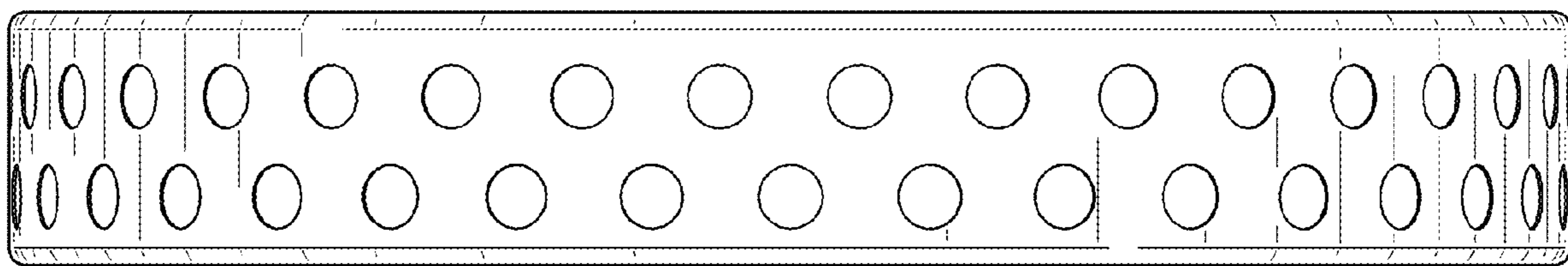


FIG. 3

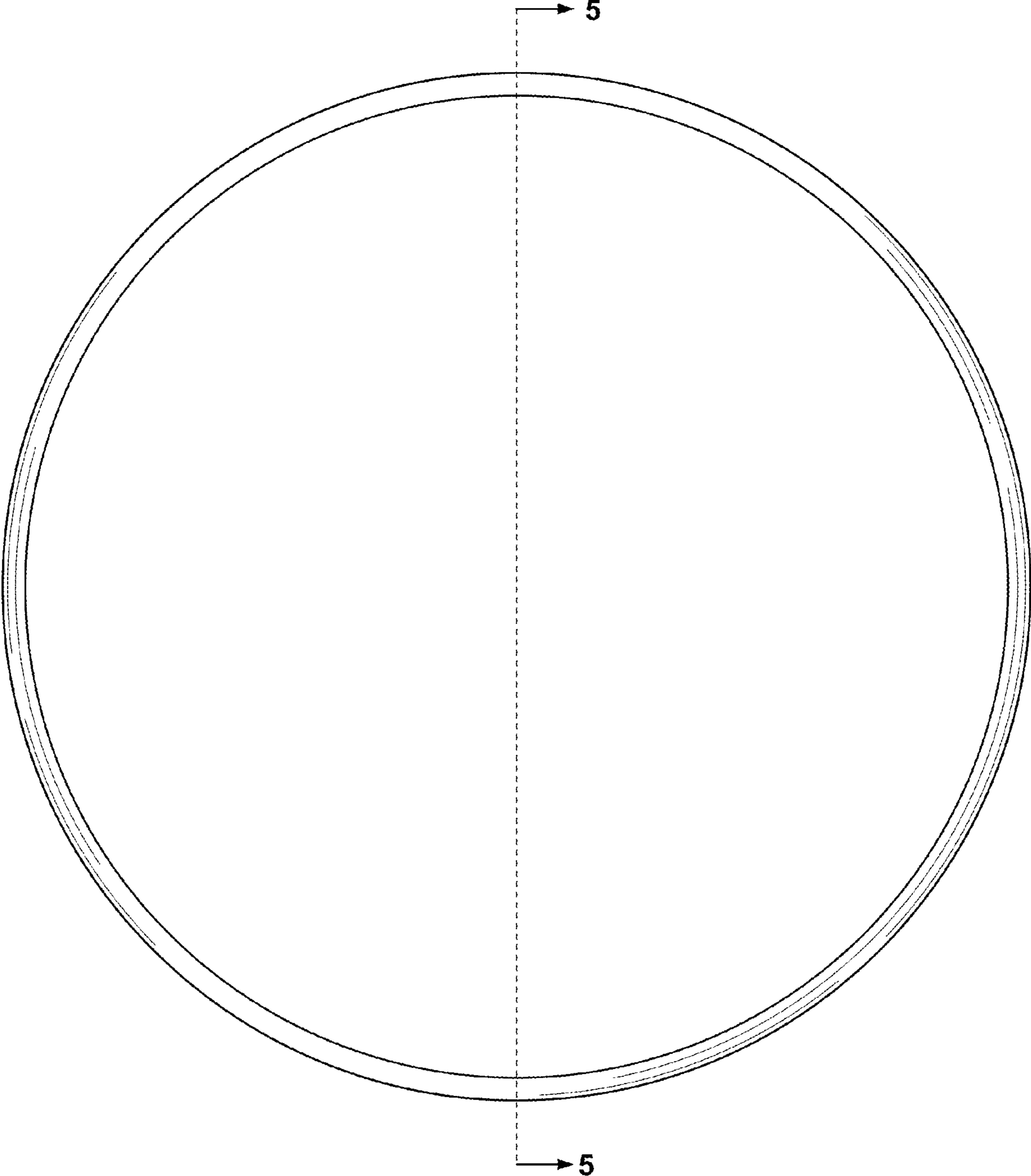


FIG. 4

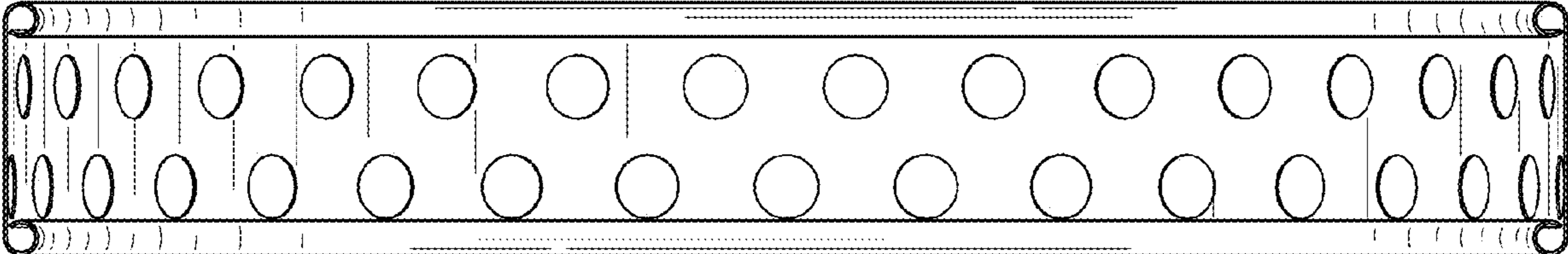


FIG. 5