



US00D914854S

(12) **United States Design Patent**
Heydari

(10) **Patent No.:** **US D914,854 S**

(45) **Date of Patent:** **** Mar. 30, 2021**

(54) **TOILET**

(71) Applicant: **AS America, Inc.**, Piscataway, NJ (US)

(72) Inventor: **Behnam Heydari**, Ridgewood, NJ (US)

(73) Assignee: **AS America, Inc.**, Piscataway, NJ (US)

(**) Term: **15 Years**

(21) Appl. No.: **29/740,121**

(22) Filed: **Jul. 1, 2020**

Related U.S. Application Data

(63) Continuation of application No. 29/680,616, filed on Feb. 18, 2019, now abandoned.

(51) **LOC (13) Cl.** **23-02**

(52) **U.S. Cl.**
USPC **D23/295**

(58) **Field of Classification Search**
USPC D23/295, 301, 303, 309
CPC A47K 11/00
See application file for complete search history.

(56) **References Cited**

U.S. PATENT DOCUMENTS

D101,441 S * 10/1936 Dreyfuss D23/301
D520,613 S * 5/2006 Soulier D23/295
D531,288 S * 10/2006 Soulier D23/295

D621,011 S * 8/2010 Bucher D23/301
D645,126 S * 9/2011 Bucher D23/301
D652,493 S * 1/2012 Bucher D23/301
D785,751 S * 5/2017 Chuk D23/209
D798,425 S * 9/2017 Mesun D23/301
D807,479 S * 1/2018 Chuk D23/301
D869,624 S * 12/2019 Kergoet D23/301
D888,910 S * 6/2020 LeTourneau D23/309

* cited by examiner

Primary Examiner — Robert A Delehanty

(74) *Attorney, Agent, or Firm* — Tyler A. Stevenson;
Anna-Lisa L. Gallo

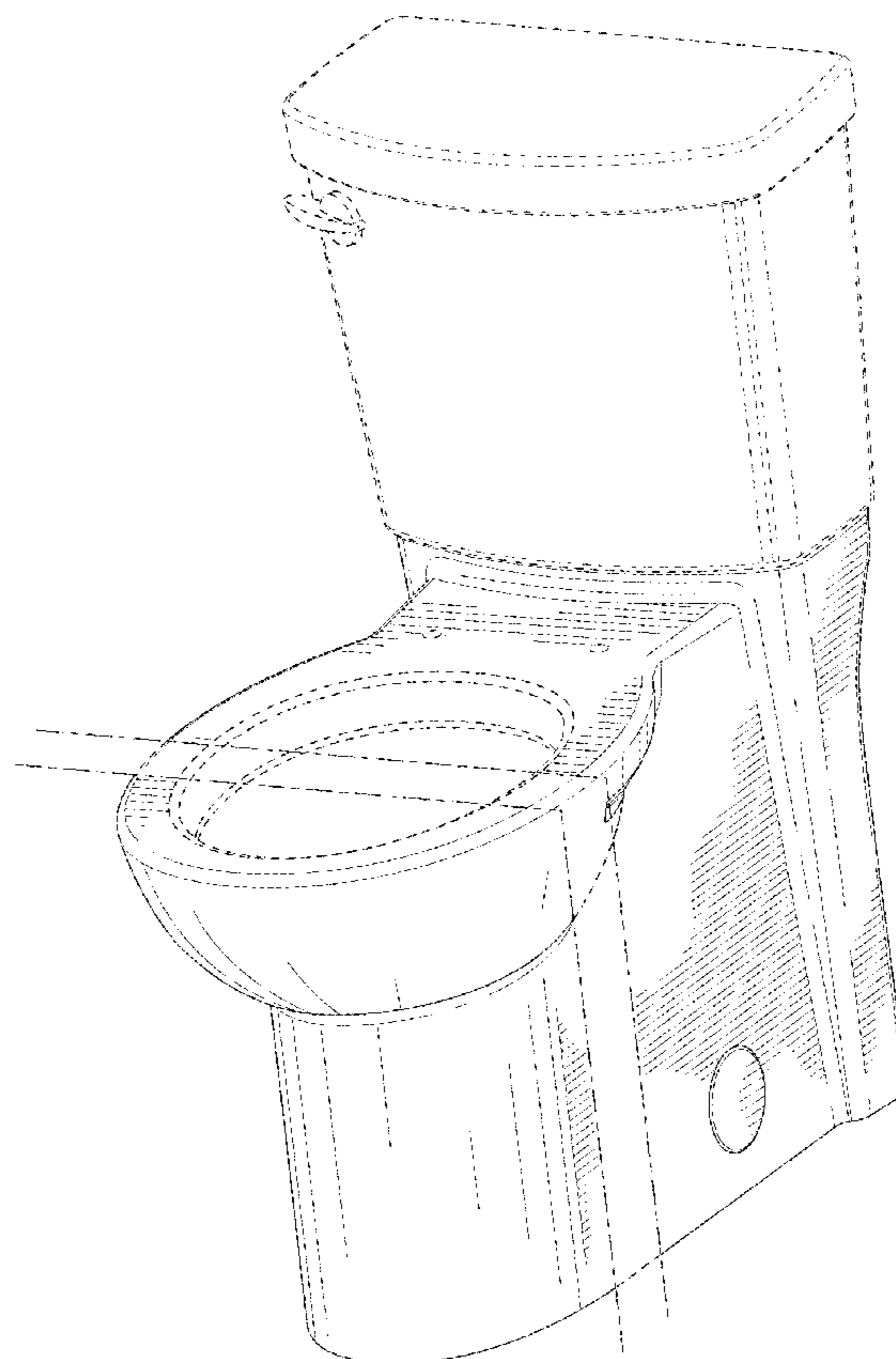
(57) **CLAIM**

I claim the ornamental design for a toilet, shown and described.

DESCRIPTION

FIG. 1 is a front view of a toilet showing my new design; FIG. 2 is a right side view thereof; FIG. 3 is a left side view thereof; FIG. 4 is a rear view thereof; FIG. 5 is a bottom plan view thereof; FIG. 6 is a top plan view thereof; and, FIG. 7 is a top, front, ride side perspective view thereof. Broken lines of the disclosure are for illustrative purposes only and form no part of the claimed design. The appearance of any portion of the article between dash-dot lines forms no part of the claimed design.

1 Claim, 7 Drawing Sheets



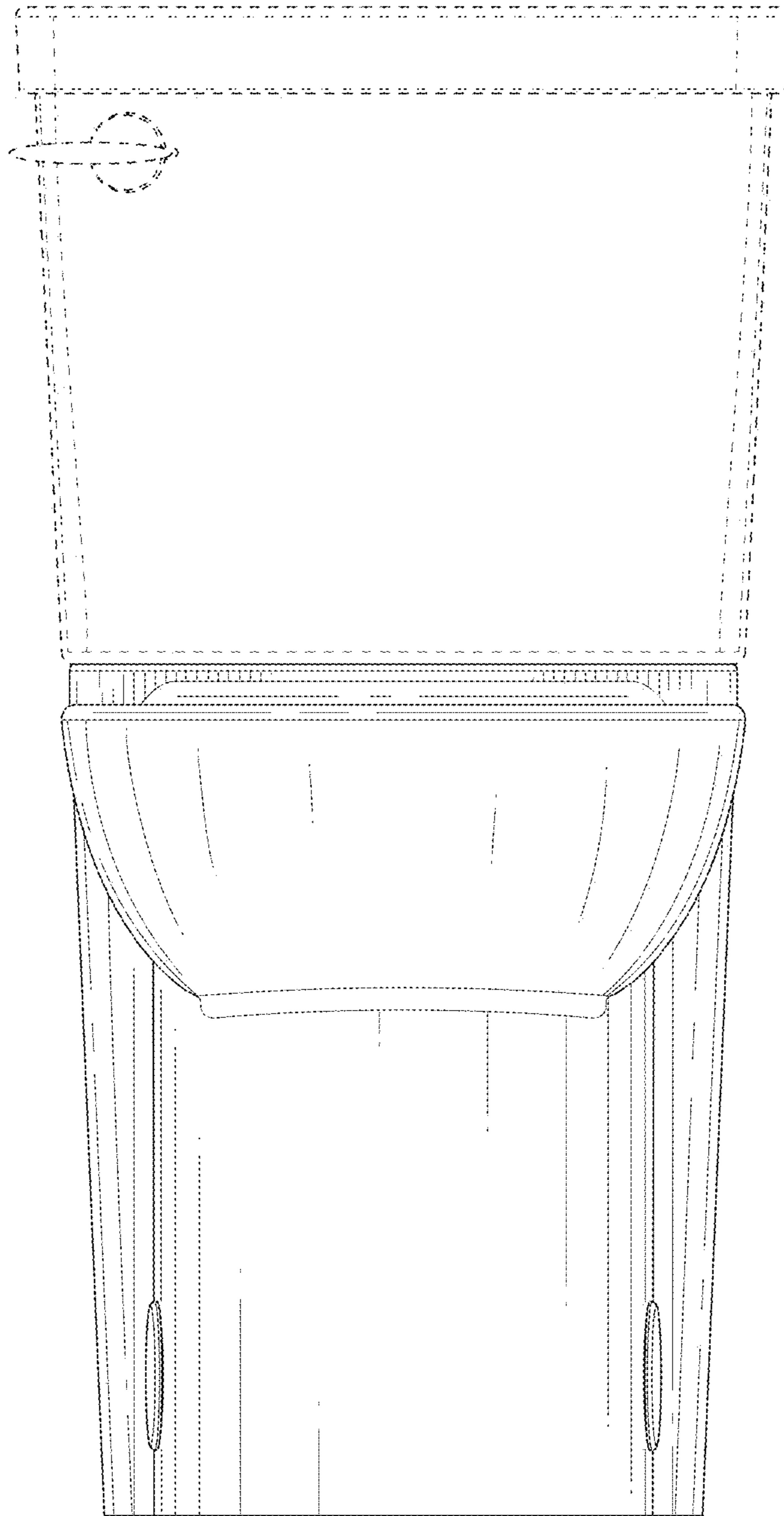


FIG. 1

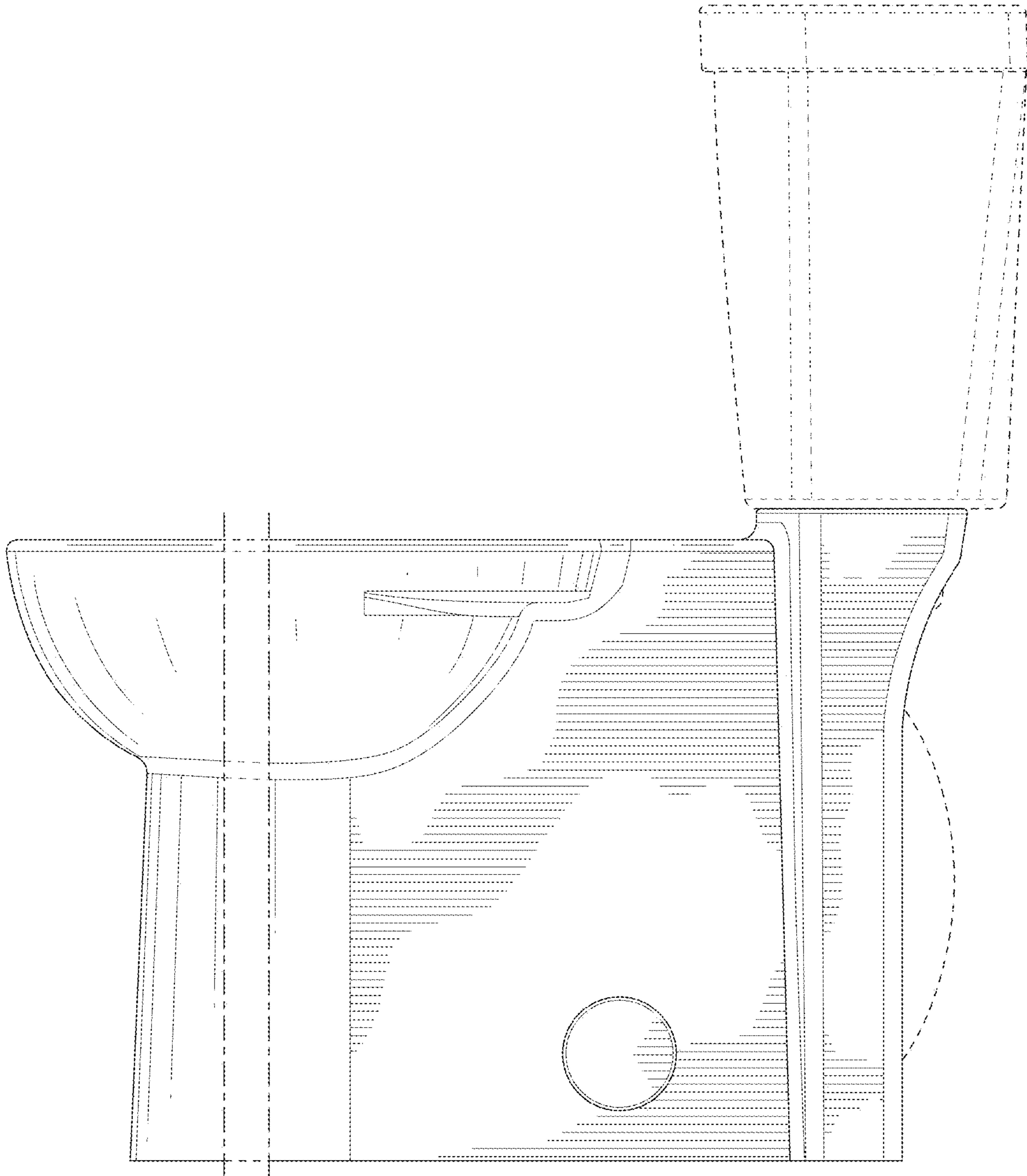


FIG. 2

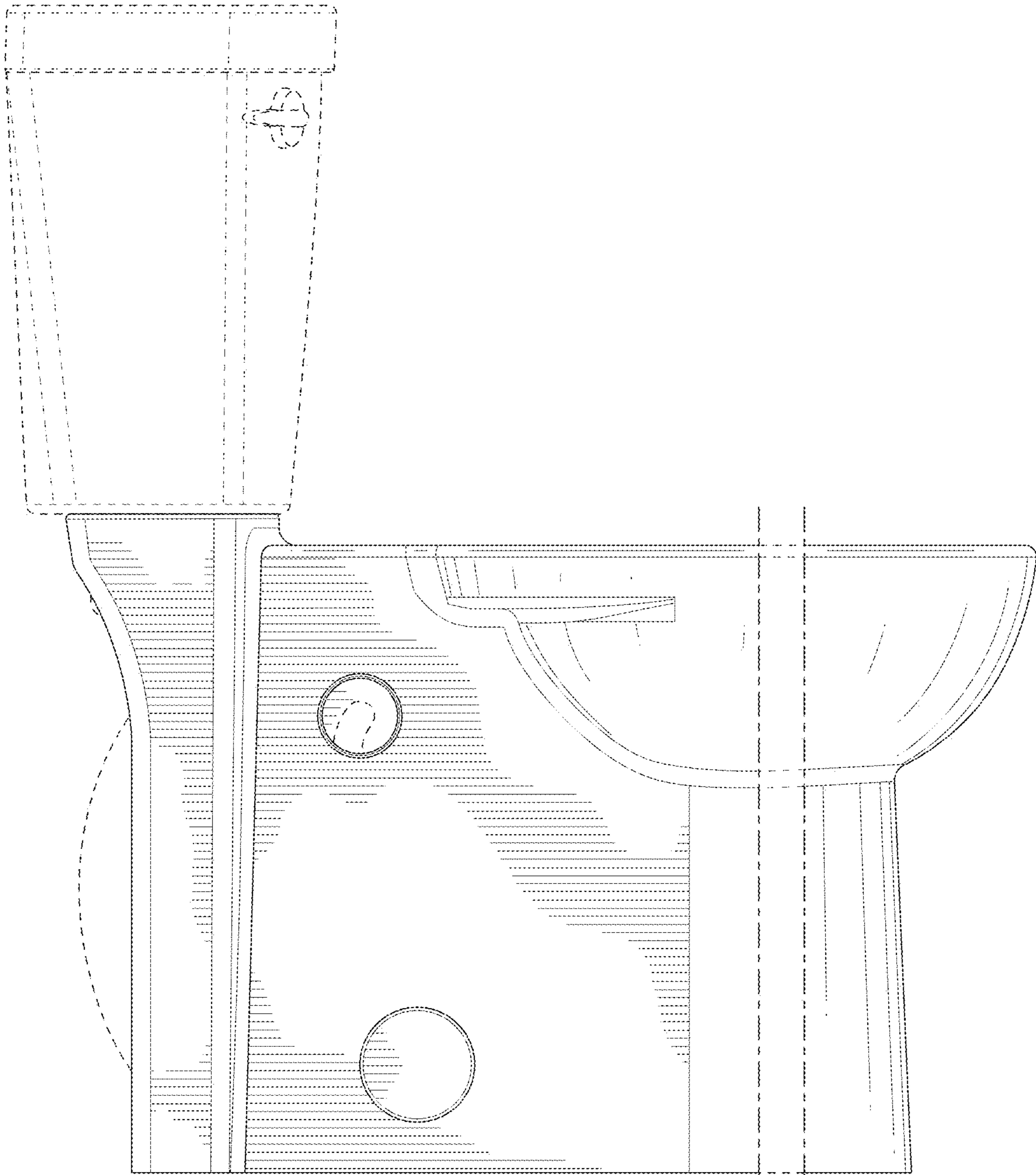


FIG. 3

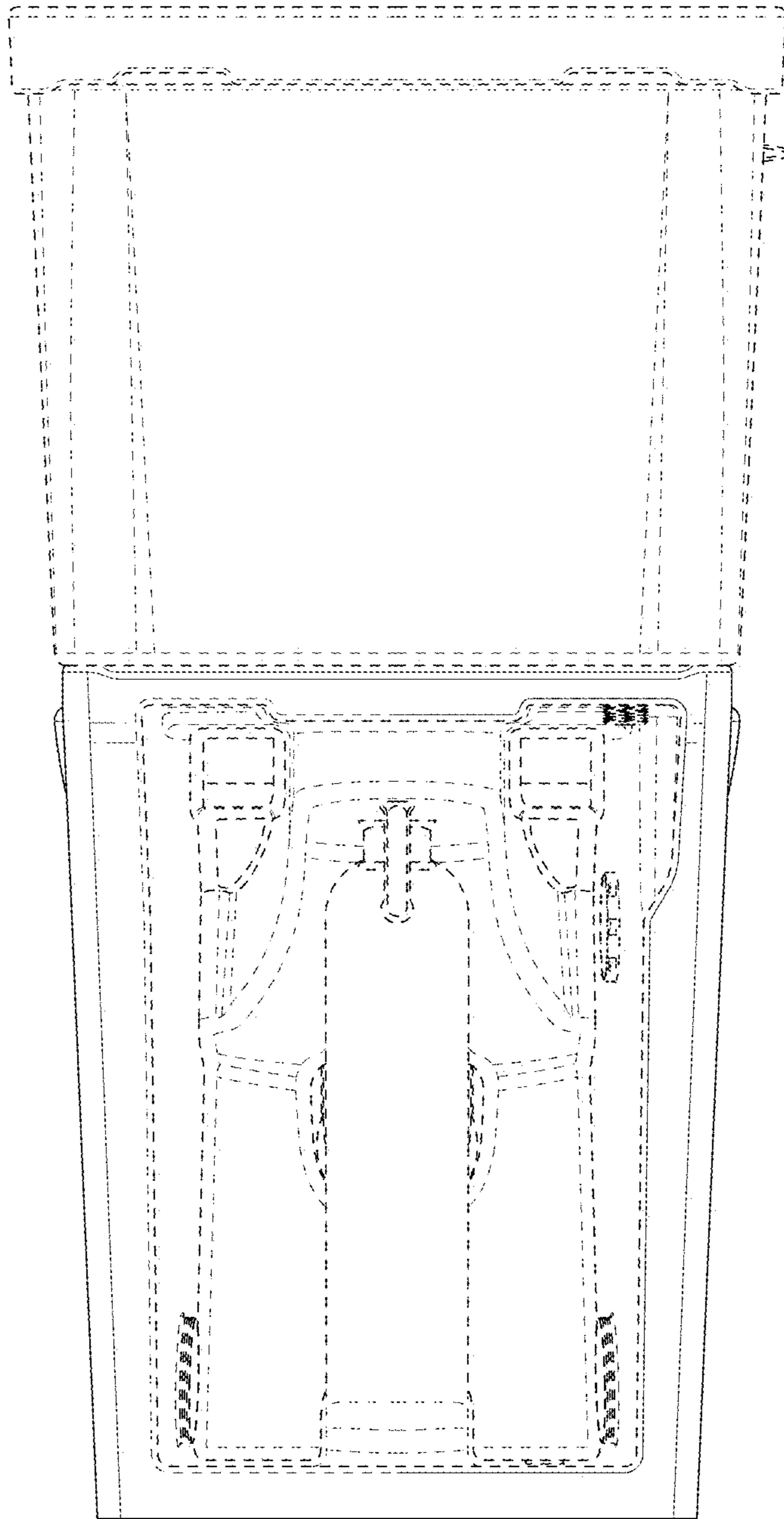


FIG. 4

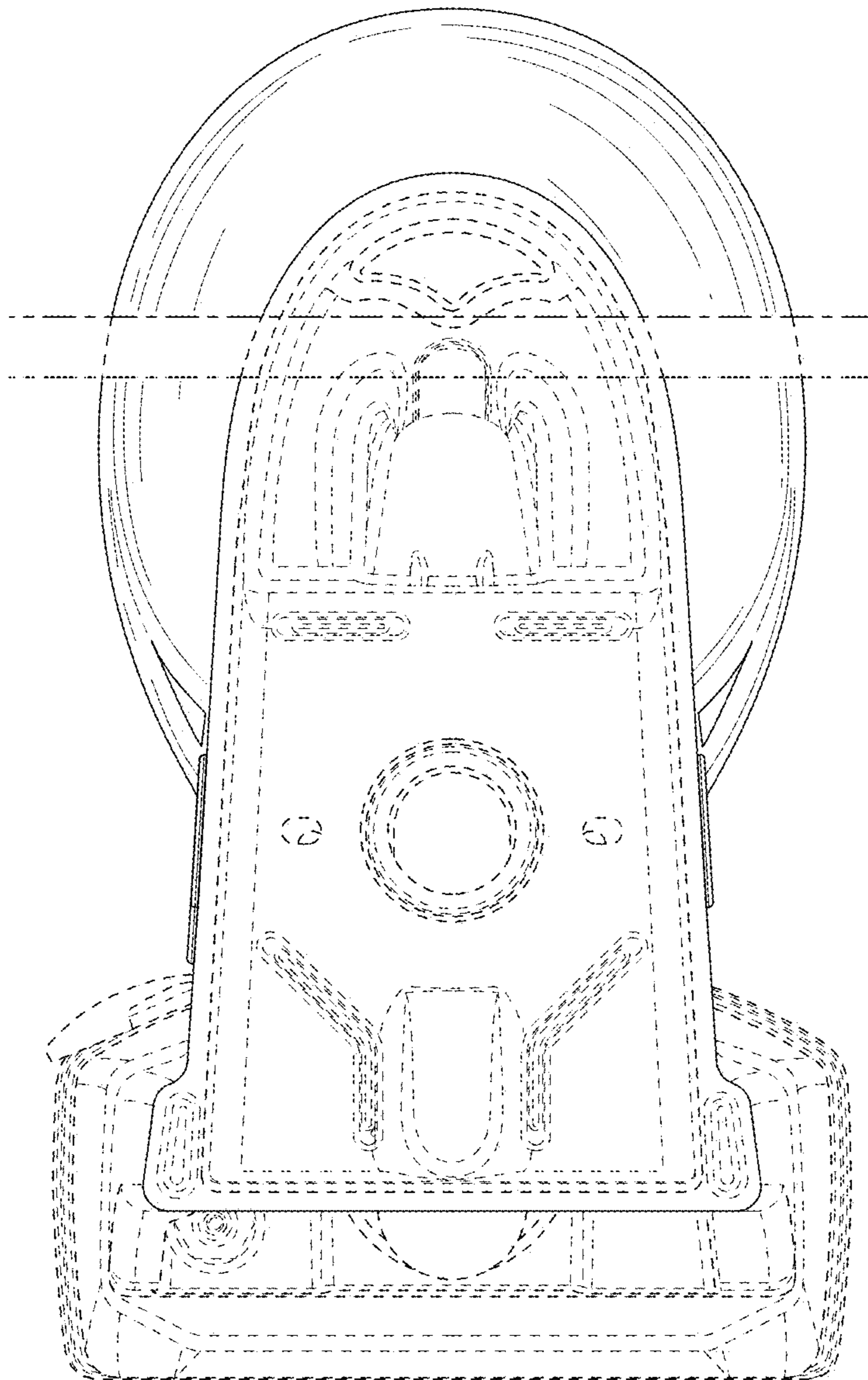


FIG. 5

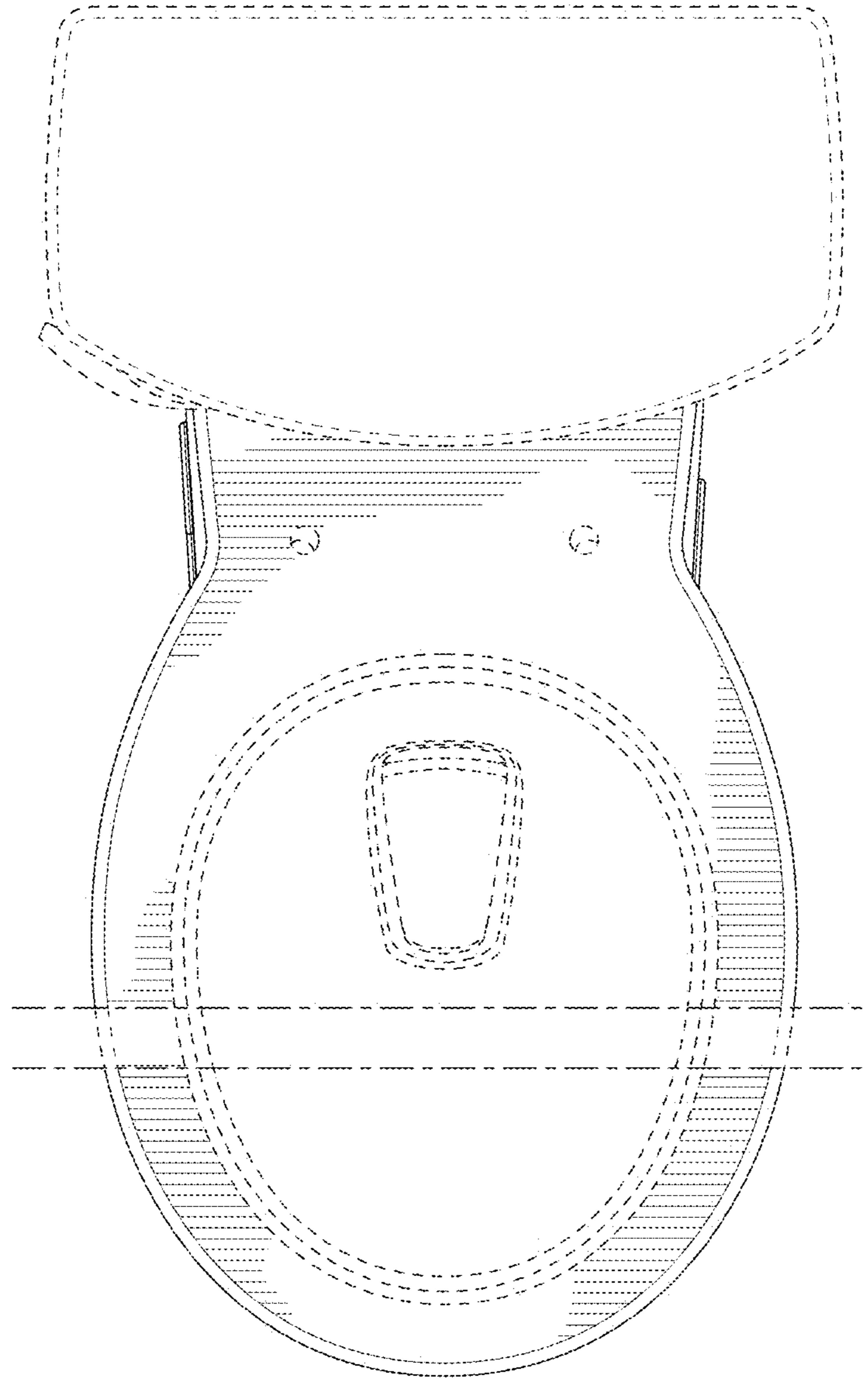


FIG. 6

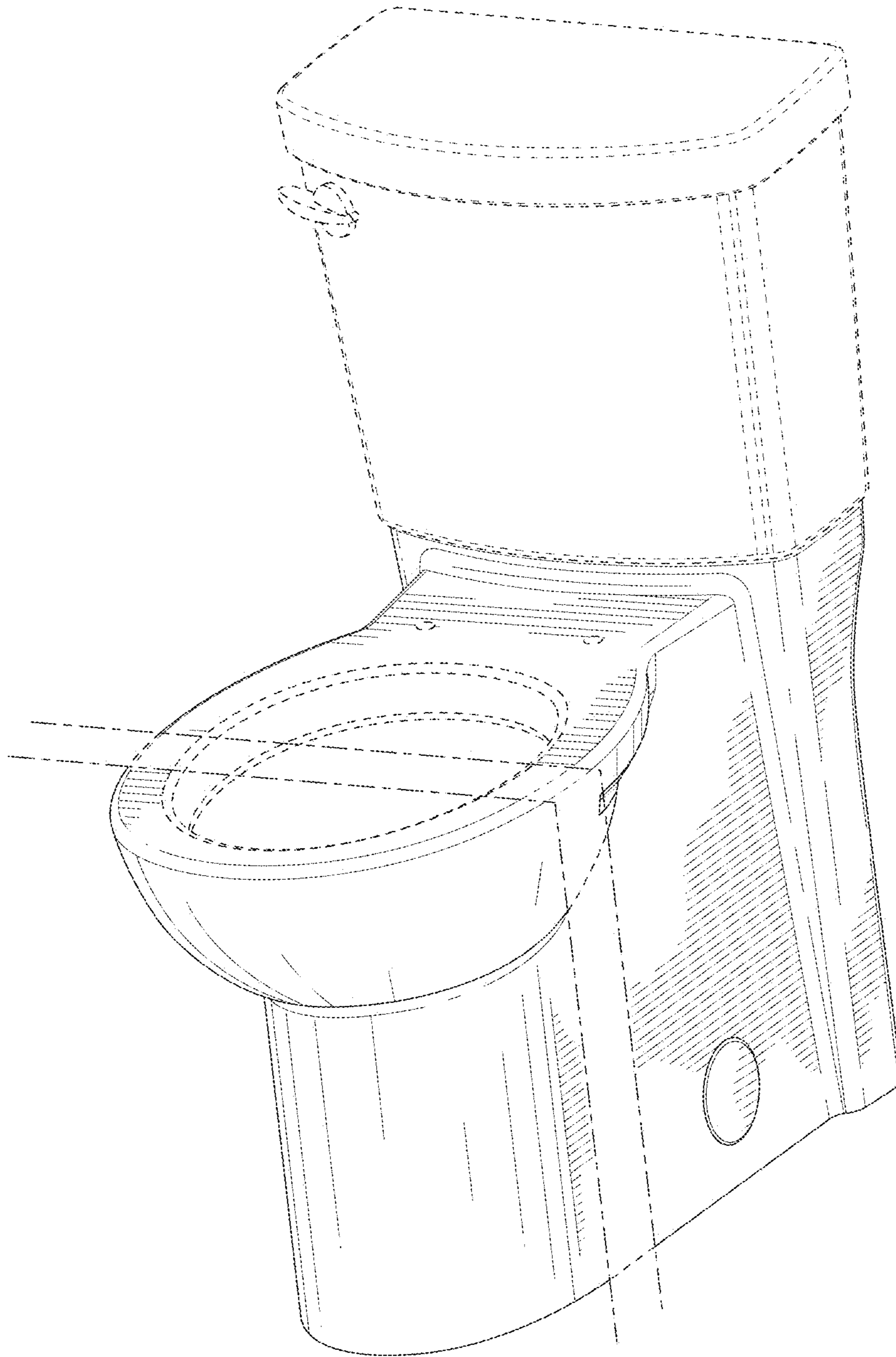


FIG. 7