



US00D914853S

(12) **United States Design Patent** (10) **Patent No.:** **US D914,853 S**  
**Wang** (45) **Date of Patent:** **\*\* Mar. 30, 2021**

(54) **BATH BASIN**

OTHER PUBLICATIONS

(71) Applicant: **Bo Wang**, Nanyang (CN)

Boon Naked Collapsible Tub: <https://www.potterybarnkids.com/products/boon-naked-collapsible-tub-mb/> (Year: 2021).\*

(72) Inventor: **Bo Wang**, Nanyang (CN)

\* cited by examiner

(\*\*) Term: **15 Years**

*Primary Examiner* — Robert A Delehanty

(21) Appl. No.: **29/758,239**

(57) **CLAIM**

The ornamental design for a bath basin, as shown and described.

(22) Filed: **Nov. 13, 2020**

(51) **LOC (13) Cl.** ..... **23-02**

**DESCRIPTION**

(52) **U.S. Cl.**

USPC ..... **D23/278**

(58) **Field of Classification Search**

USPC ..... D23/278; D7/535, 548

CPC ..... A47K 3/024

See application file for complete search history.

FIG. 1 is a perspective view of a bath basin showing my new design;

FIG. 2 is another perspective view thereof;

FIG. 3 is a front elevational view thereof;

FIG. 4 is a rear elevational view thereof;

FIG. 5 is a left side elevational view thereof;

FIG. 6 is a right side elevational view thereof;

FIG. 7 is a top plan view thereof;

FIG. 8 is a bottom plan view thereof; and,

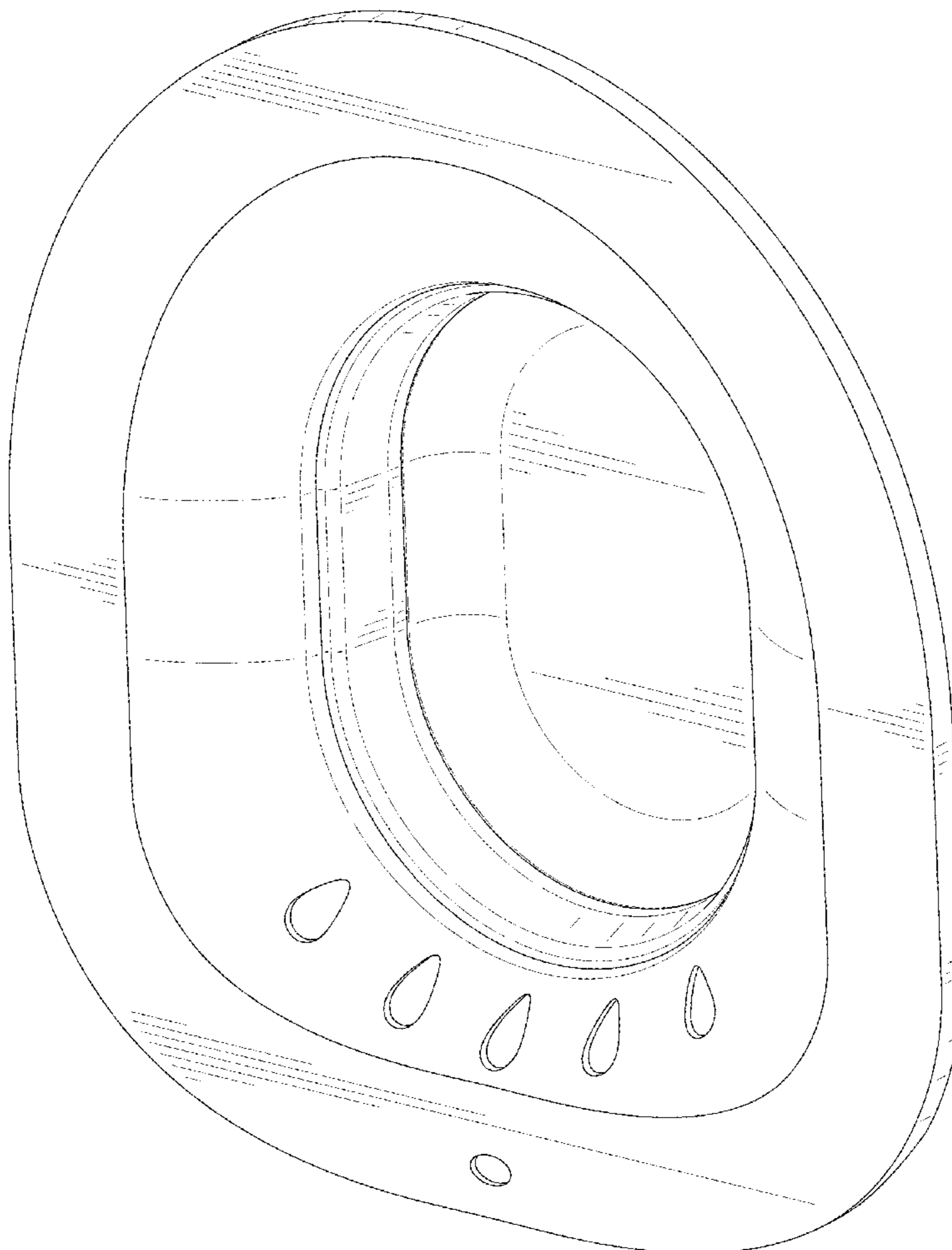
FIG. 9 is a perspective view of the bath basin where the bath basin is in a folded state.

(56) **References Cited**

U.S. PATENT DOCUMENTS

D606,176 S 12/2009 Urquiola  
D674,482 S 1/2013 Wurapa

**1 Claim, 9 Drawing Sheets**



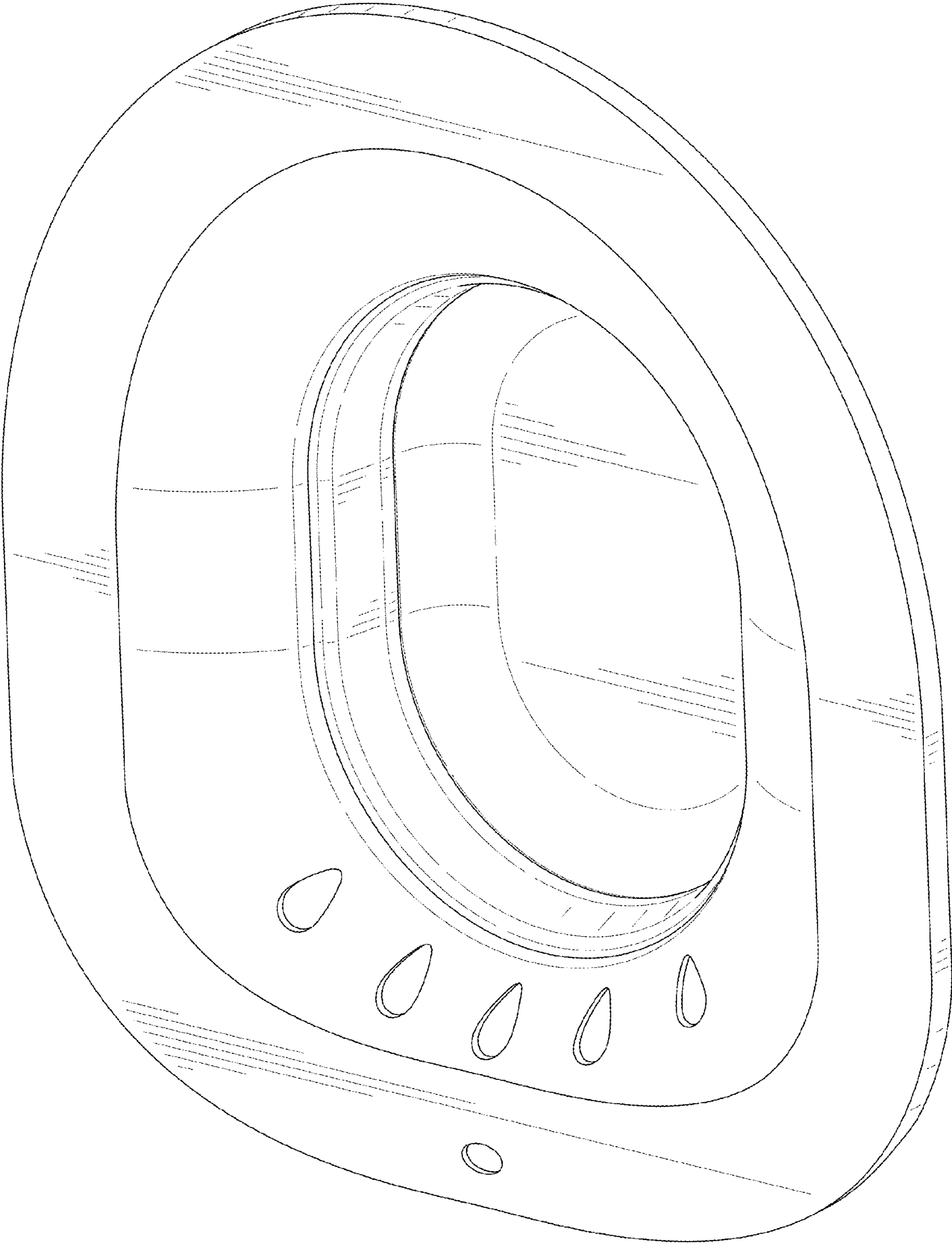


FIG. 1

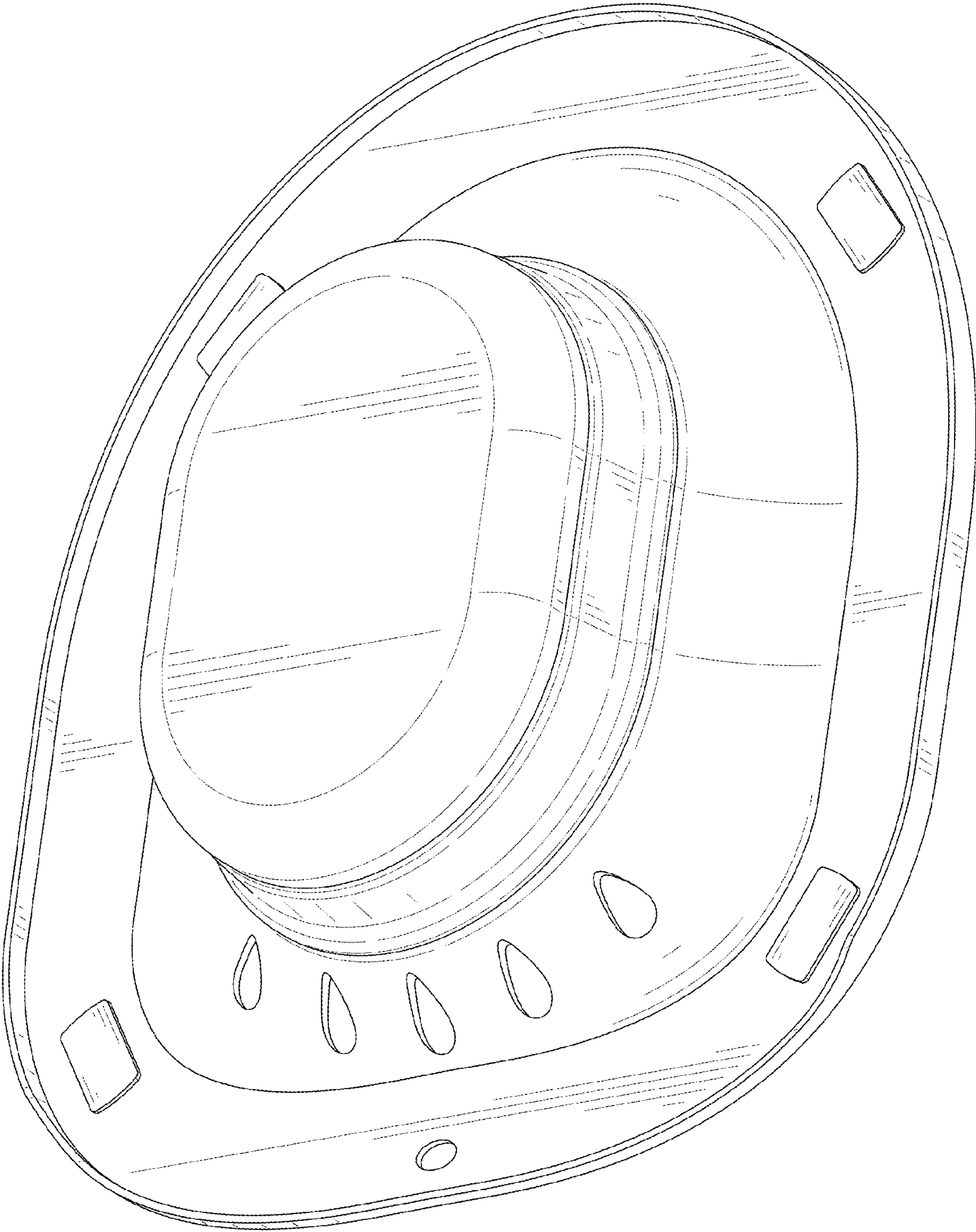


FIG. 2

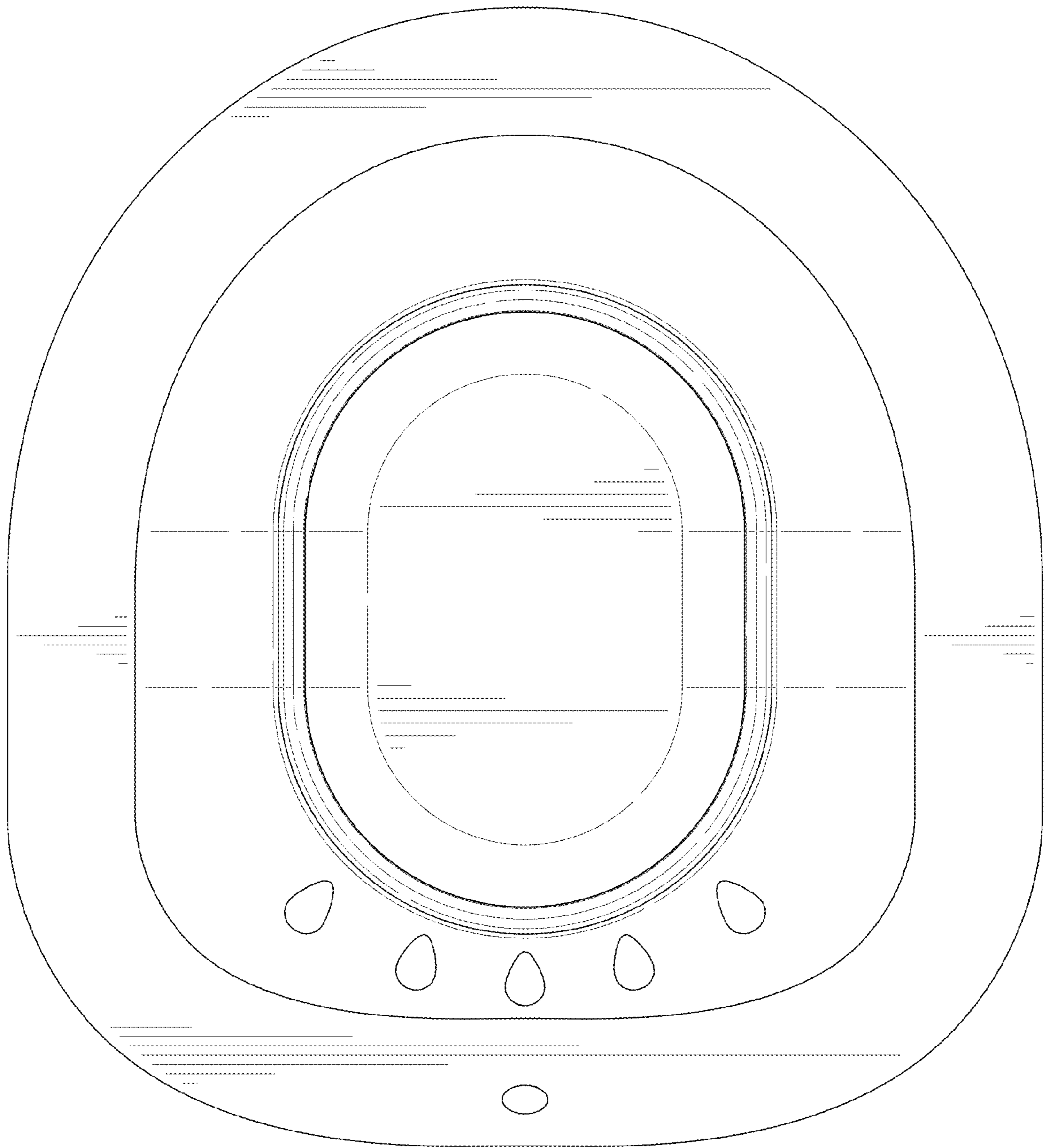


FIG. 3



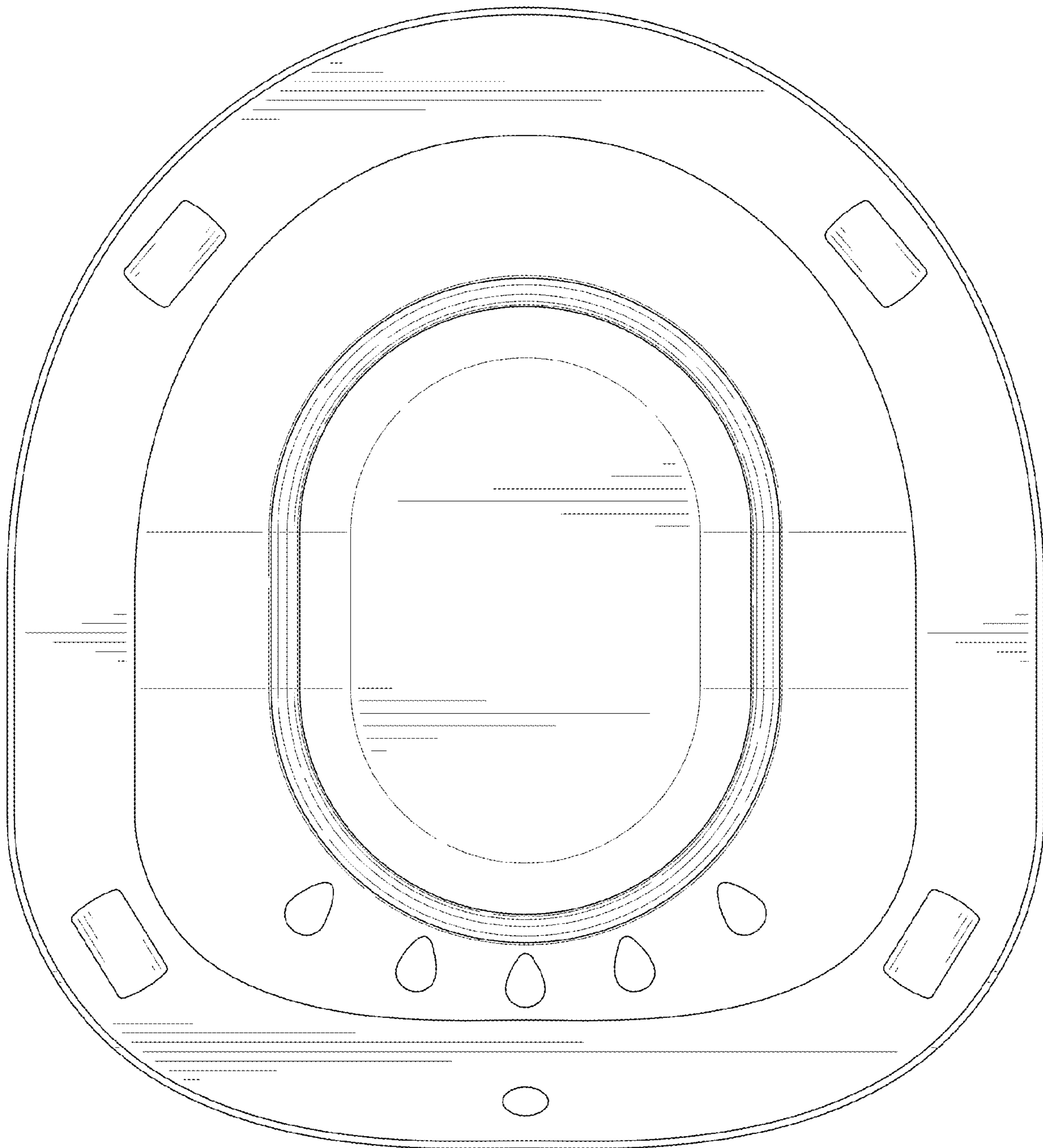


FIG. 4

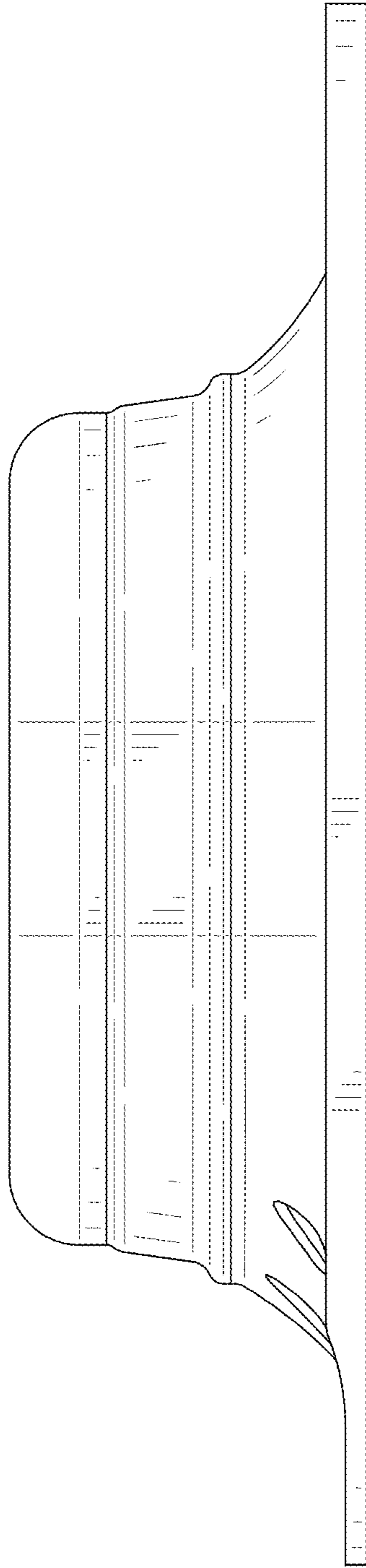


FIG. 5

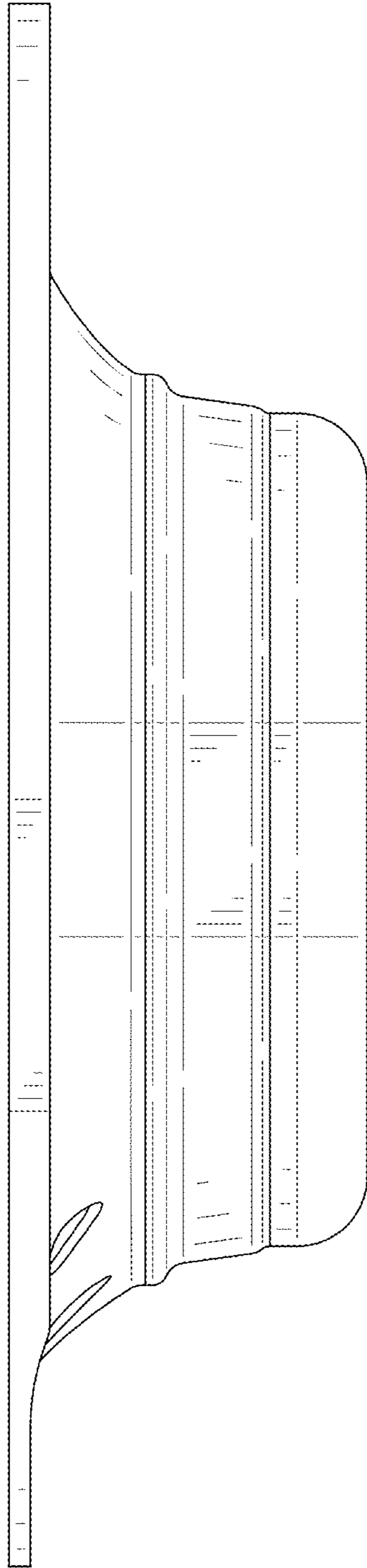


FIG. 6

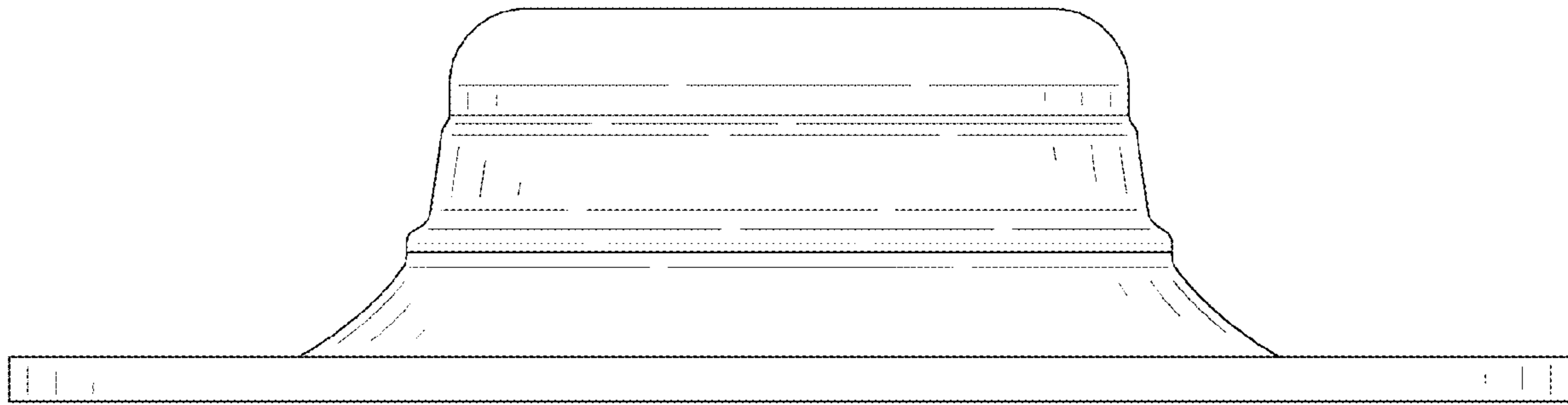


FIG. 7



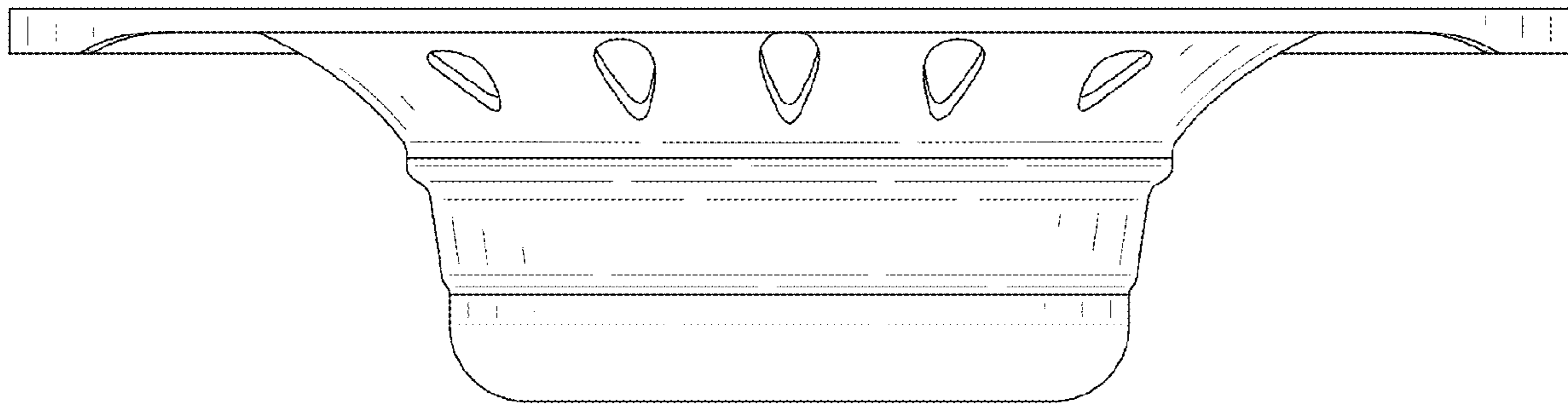


FIG. 8

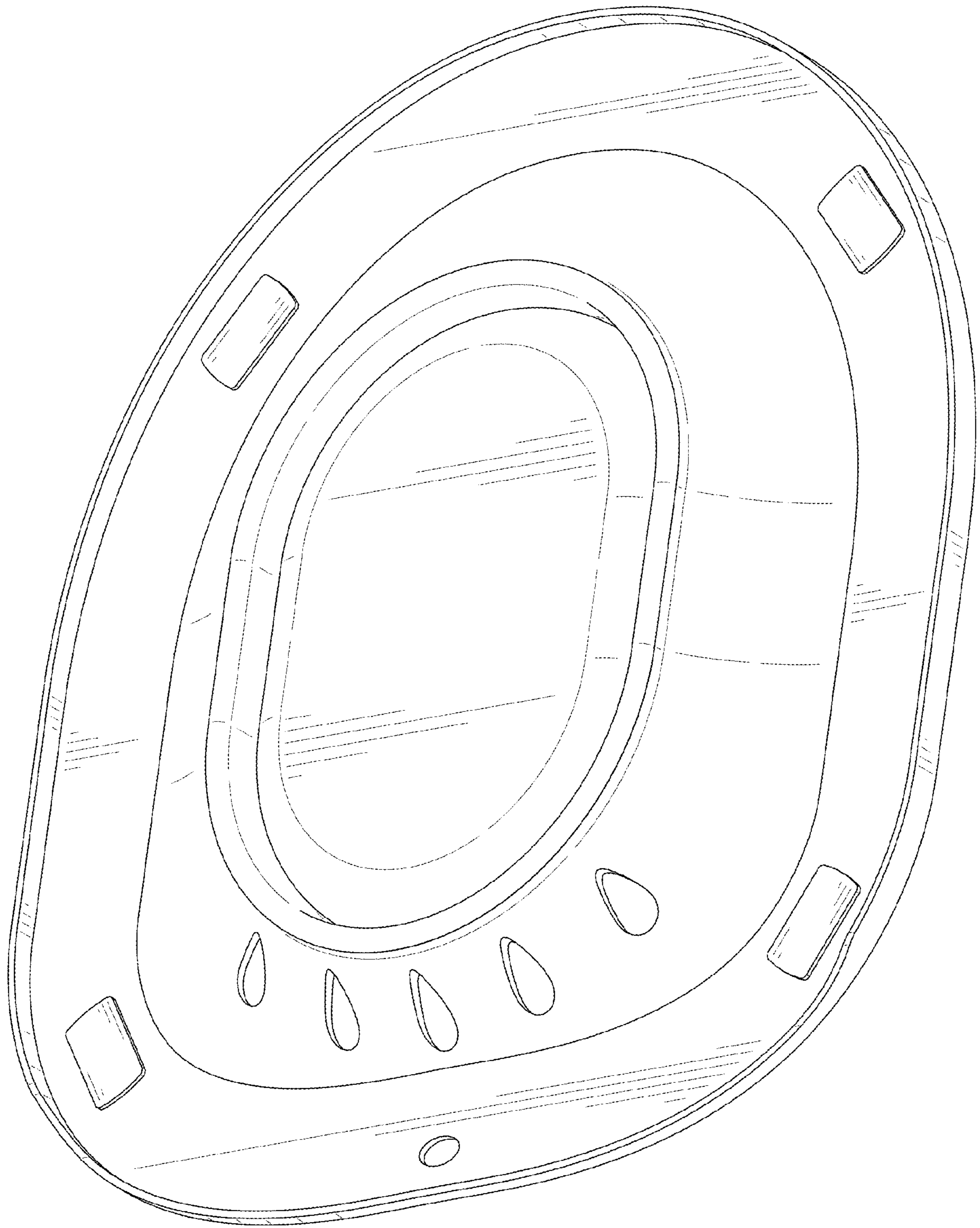


FIG. 9