



US00D914852S

(12) **United States Design Patent**
Shafer

(10) **Patent No.:** **US D914,852 S**

(45) **Date of Patent:** **** Mar. 30, 2021**

(54) **IRRIGATION COUPLING ASSEMBLY**

(71) Applicant: **Daniel Shafer**, Springville, CA (US)

(72) Inventor: **Daniel Shafer**, Springville, CA (US)

(**) Term: **15 Years**

(21) Appl. No.: **29/689,004**

(22) Filed: **Apr. 25, 2019**

https://www.rainforrent.com/wp-content/uploads/2018/08/Pipe.Dragline.Style_.Aluminum.pdf (Year: 2018).*

(Continued)

Primary Examiner — Amy C Wierenga

(74) *Attorney, Agent, or Firm* — William K. Nelson;
Sierra IP Law, PC

(57) **CLAIM**

I claim the ornamental design for an irrigation coupling assembly, as shown and described.

Related U.S. Application Data

(63) Continuation-in-part of application No. 29/680,760, filed on Feb. 19, 2019, now abandoned, which is a
(Continued)

(51) **LOC (13) Cl.** **23-01**

(52) **U.S. Cl.**
USPC **D23/262**

(58) **Field of Classification Search**
USPC D23/213–214, 221, 259–266, 227–228,
D23/249; 285/15–16, 45, 48–50, 53,
(Continued)

(56) **References Cited**

U.S. PATENT DOCUMENTS

348,059 A 8/1886 Schroder
943,900 A 12/1909 Smith

(Continued)

FOREIGN PATENT DOCUMENTS

CA 707236 A 4/1965
CN 103829883 A 6/2014

(Continued)

OTHER PUBLICATIONS

Aluminum, Dragline Pipe PDF, Rain for rent, Retrieved from the internet Jan. 11, 21; Pdf Uploaded to website on Aug. 2018;

DESCRIPTION

FIG. 1 provides a top perspective view of the male and female components of the irrigation coupling assembly showing my new design;

FIG. 2 provides a distal perspective view of the male and female components of the irrigation coupling assembly of the design of FIG. 1;

FIG. 3 provides a proximal bottom perspective view of the male and female components of the irrigation coupling assembly of the design of FIG. 1;

FIG. 4 provides a distal bottom perspective view of the male and female components of the irrigation coupling assembly of the design of FIG. 1;

FIG. 5 provides a top perspective view of the male and female components of the irrigation coupling assembly of the design of FIG. 1;

FIG. 6 provides a proximal perspective view of the male and female components of the irrigation coupling assembly of the design of FIG. 1;

FIG. 7 provides a top plan view of the male and female components of the irrigation coupling assembly of the design of FIG. 1;

FIG. 8 provides a bottom plan view of the male and female components of the irrigation coupling assembly according to the design of FIG. 1;

FIG. 9 provides a first side elevation view of the male and female components of the irrigation coupling assembly of the design of FIG. 1;

(Continued)

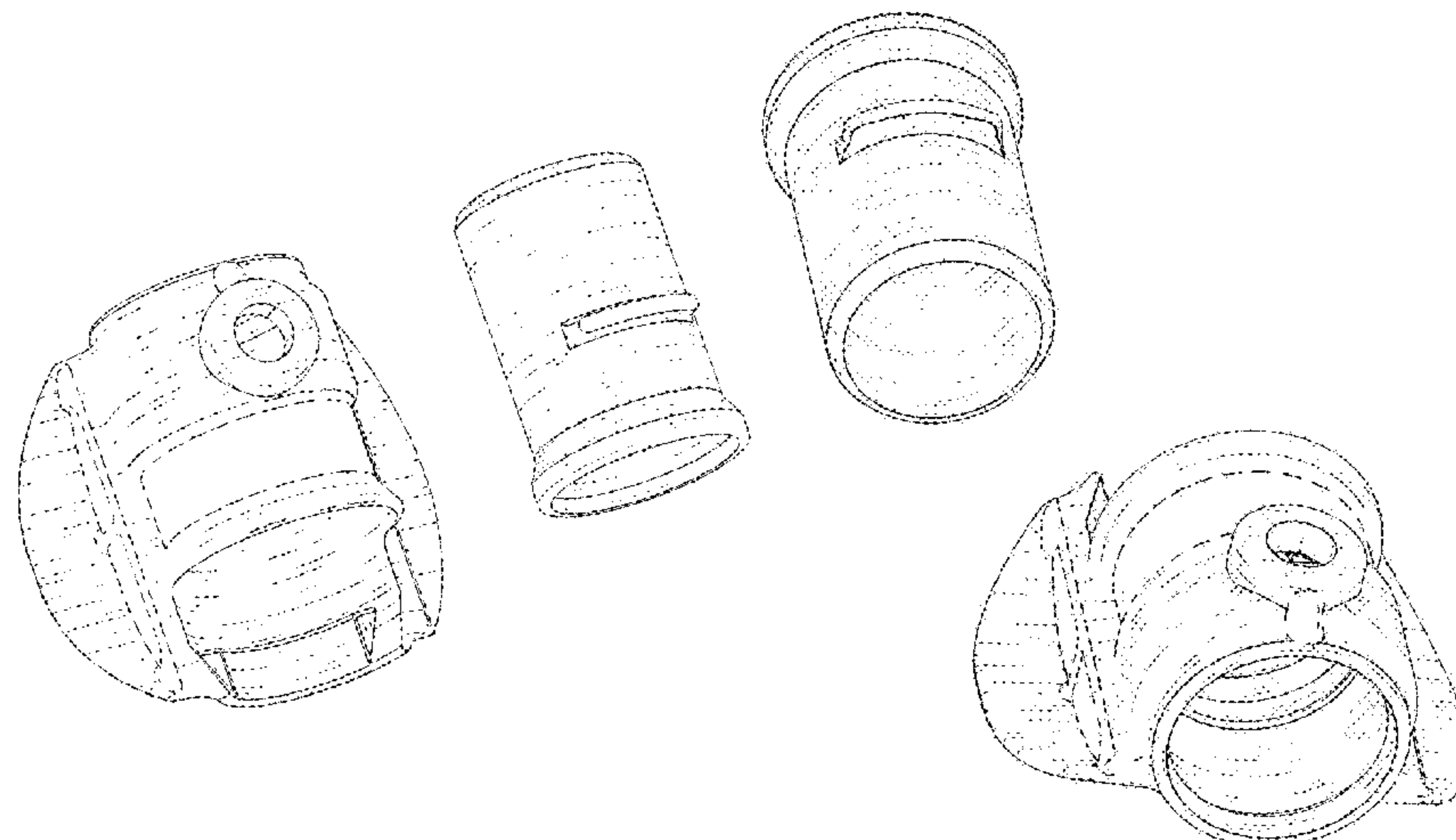


FIG. 10 provides a second side elevation view of the male and female components of the irrigation coupling assembly of the design of FIG. 1;

FIG. 11 provides a distal end axial elevation view of the male and female components of the irrigation coupling assembly of the design of FIG. 1;

FIG. 12 provides a proximal end axial elevation view of the male and female components of the irrigation coupling assembly of the design of FIG. 1;

FIG. 13 provides perspective view of the male and female components of the irrigation coupling assembly of the design of FIG. 1 in axial alignment;

FIG. 14 provides perspective view of the male and female components of the irrigation coupling assembly of the design of FIG. 1, where the male component is axially inserted into the female component; and,

FIG. 15 provides perspective view of the male and female components of the irrigation coupling assembly of the design of FIG. 1, where the male component is axially inserted into the female component and rotated into an interlocking position.

The broken lines shown in in the figures are for the purpose of illustrating portions of the irrigation coupling assembly that form no part of the claimed design.

1 Claim, 15 Drawing Sheets

Related U.S. Application Data

continuation of application No. 29/672,756, filed on Dec. 7, 2018, now abandoned.

(58) **Field of Classification Search**

USPC 285/130.1, 133.11, 123.15, 294.1, 294.4, 285/148.14, 148.19, 148.21, 148.22, 235, 285/345, 377, 388, 390, 86, 362, 376; 251/146–152, 143; D8/303; D24/129; D13/133, 150, 154–156; 138/96 R, 138/109–110, 118–118.1, 125, 128, 135, 138/155–156, 167, 169, 177

CPC F16L 58/184; F16L 3/1091; F16L 37/252; F16L 37/113

See application file for complete search history.

(56) **References Cited**

U.S. PATENT DOCUMENTS

1,572,979	A	2/1921	Whybrew	
1,525,794	A	4/1922	Anton	
2,469,538	A	4/1947	Young	
2,627,429	A	10/1950	Engleman	
2,921,801	A	3/1955	Beyer	
2,746,772	A *	5/1956	Race, Jr.	F16L 37/54 285/5
2,874,979	A *	2/1959	Shohan	F16L 37/54 285/6
3,362,730	A	6/1965	Clair et al.	
3,331,620	A *	7/1967	Rickard	F16L 37/54 285/5
3,386,755	A	6/1968	Miller	
3,425,632	A *	2/1969	Stout	B05B 15/622 239/267

3,471,173	A *	10/1969	Rickard	F16L 27/127 285/6
3,485,515	A	12/1969	Fishof	
3,539,206	A	11/1970	Gheen et al.	
3,642,306	A *	2/1972	Gheen	F16L 27/12 285/5
3,664,688	A *	5/1972	De Loach	F16L 37/54 285/6
3,734,545	A *	5/1973	Stout	F16L 37/008 285/5
3,735,928	A *	5/1973	Watts	F16L 37/146 239/267
3,866,951	A *	2/1975	DeLoach	F16L 37/54 285/5
4,135,738	A *	1/1979	Clements	F16L 27/087 239/734
4,193,616	A	3/1980	Sarson et al.	
4,488,572	A *	12/1984	Brown	B67D 1/0832 137/15.09
4,688,833	A	8/1987	Todd	
4,722,555	A	2/1988	Soultatis	
4,850,620	A	7/1989	Puls	
4,893,848	A	1/1990	Melcher	
5,451,031	A	9/1995	Purvis et al.	
5,511,574	A	4/1996	Macke	
5,511,826	A	4/1996	Clare et al.	
5,603,508	A *	2/1997	Dole	F16L 17/04 277/314
6,231,085	B1	5/2001	Olson	
6,302,445	B1 *	10/2001	Kugele	F16L 47/28 285/5
6,312,025	B1	11/2001	Wolfsdor	
6,343,813	B1	2/2002	Olson	
6,672,628	B2 *	1/2004	Thomas	F16L 37/0985 285/148.27
7,530,606	B1	5/2009	Yang	
D615,165	S *	5/2010	McAlpine	D23/262
3,398,122	A1	3/2013	Crompton et al.	
8,459,698	B2 *	6/2013	Magargal	F16L 47/28 285/5
9,039,047	B2 *	5/2015	Imai	A61J 1/2089 285/402
9,074,714	B2 *	7/2015	Clare	F16L 47/12
D743,446	S *	11/2015	Jones	D15/21
9,765,913	B2 *	9/2017	Magargal	F16L 41/14
2010/0072744	A1	3/2010	Xie	
2010/0171302	A1	7/2010	Yoder	
2012/0161433	A1 *	6/2012	Magargal	F16L 47/28 285/133.3
2016/0161038	A1	6/2016	Crompton et al.	
2018/0003325	A1	1/2018	Margal et al.	
2020/0088335	A1 *	3/2020	Shafer	F16L 37/252
2020/0224809	A1 *	7/2020	Lake	F16L 37/252

FOREIGN PATENT DOCUMENTS

DE	380607	C	9/1923
EP	0061531	A1	12/1981

OTHER PUBLICATIONS

English Abstract of CN103829883A retrieved on Feb. 6th, 2019 from: "https://worldwide.espacenet.com/publicationDetails/originalDocument?CC=CN&NR=103829883A&KC=A&FT=D&ND=&date=20140604&DB=&locale=".

English Translation of Abstract for DE380607C retrieved on Feb. 6th, 2019 from: "https://patents.google.com/patent/DE380607C/en?q=DE380607C".

* cited by examiner

FIG. 1

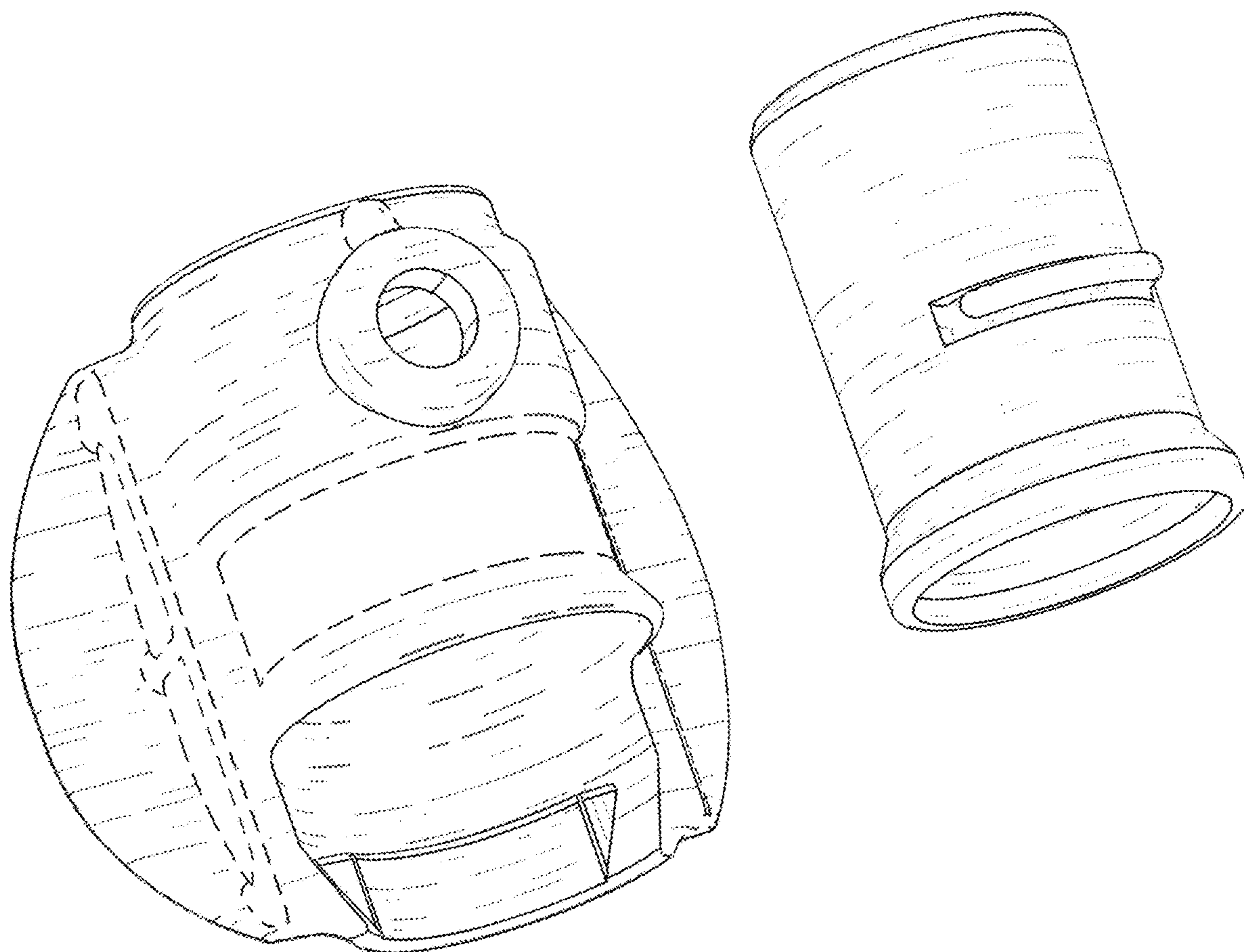


FIG. 2

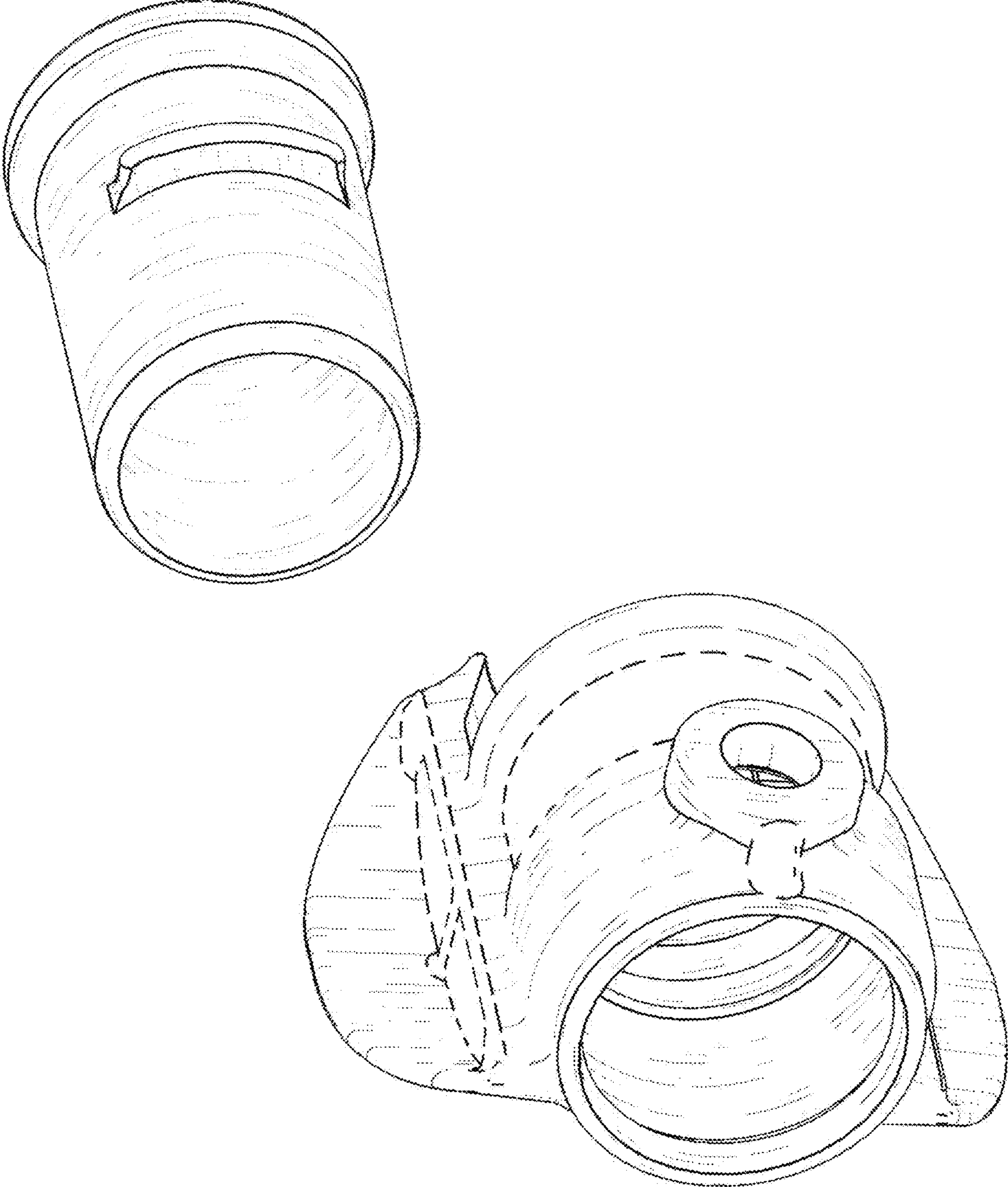


FIG. 3

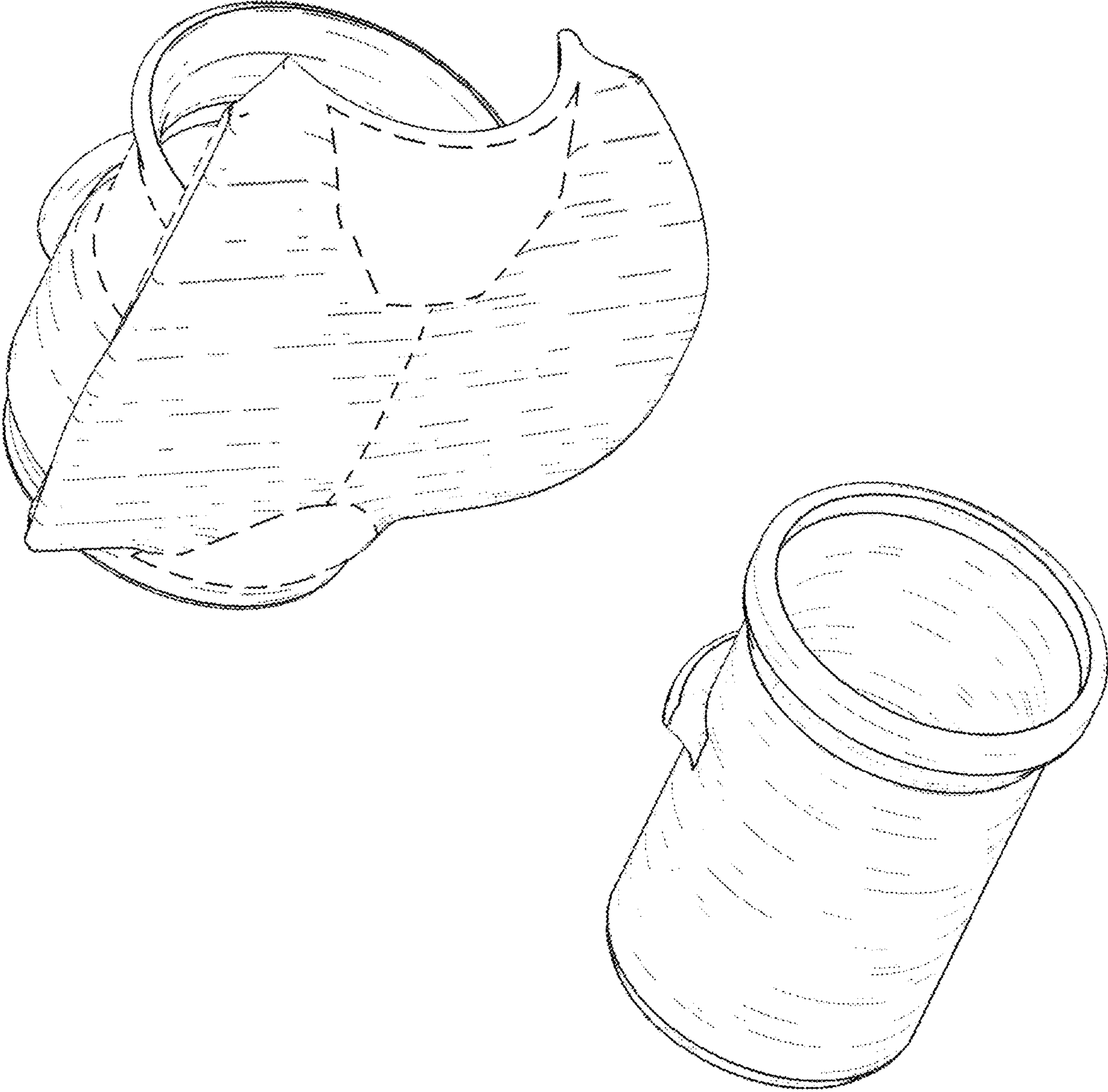


FIG. 4

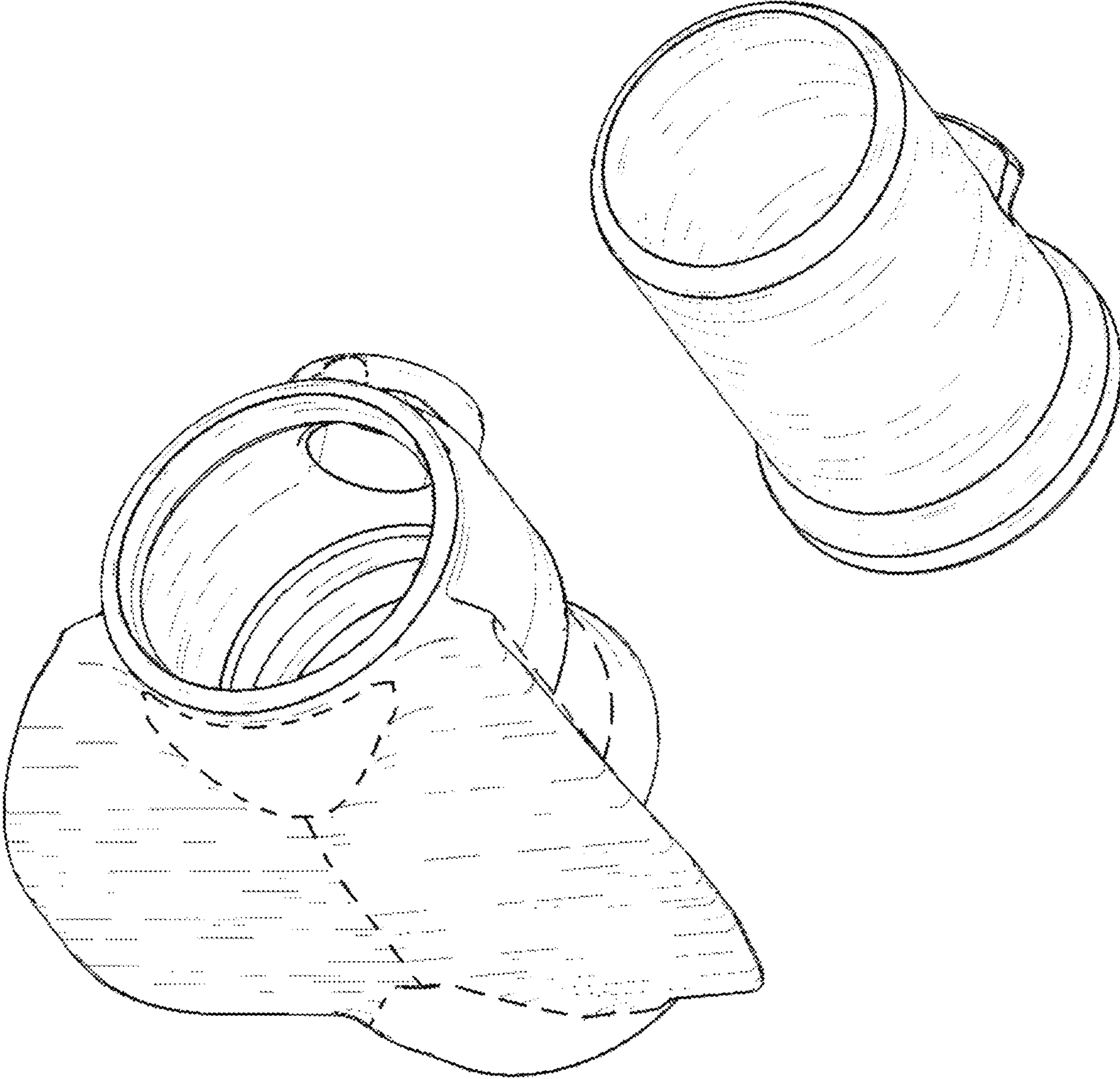


FIG. 5

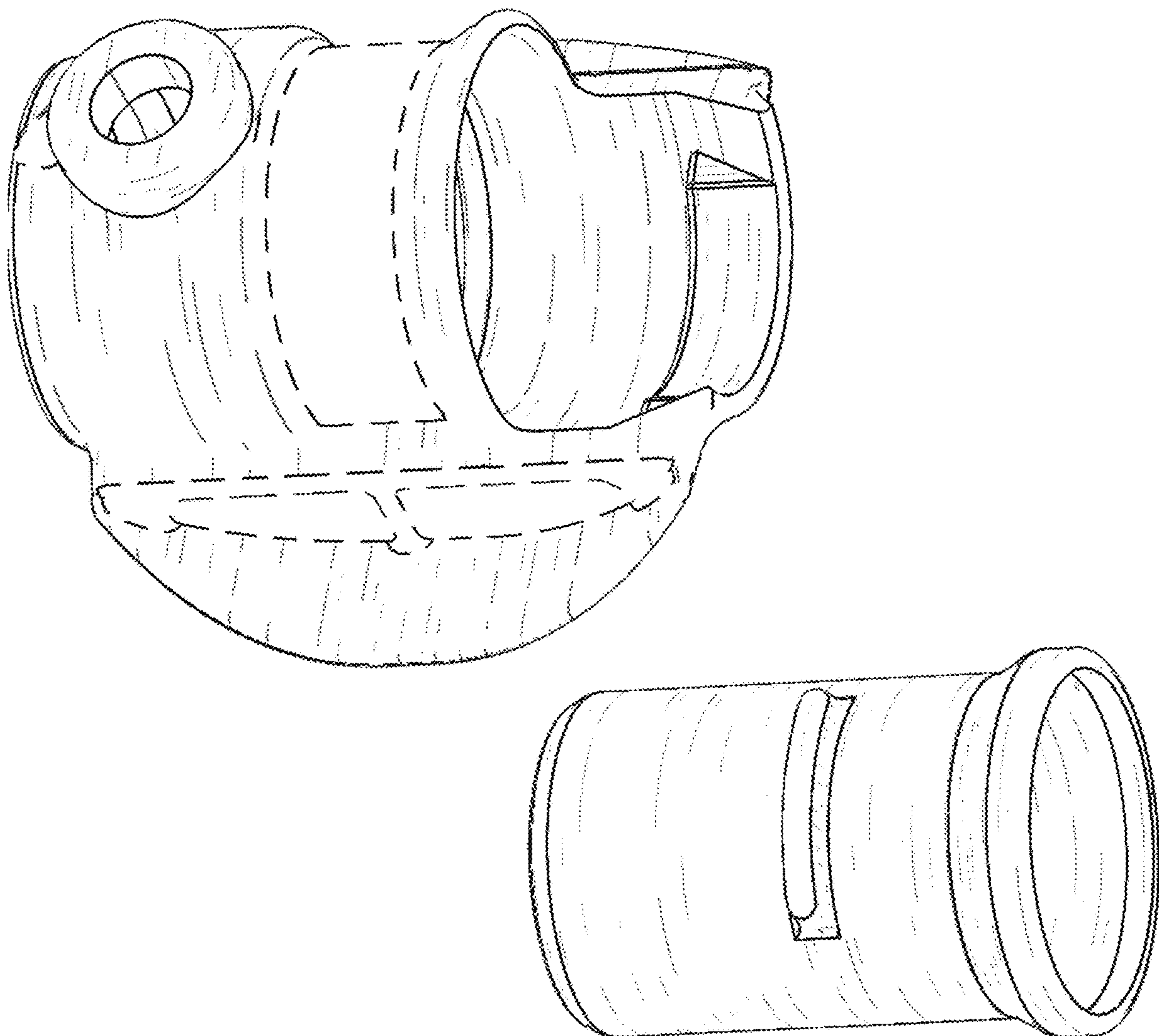


FIG. 6

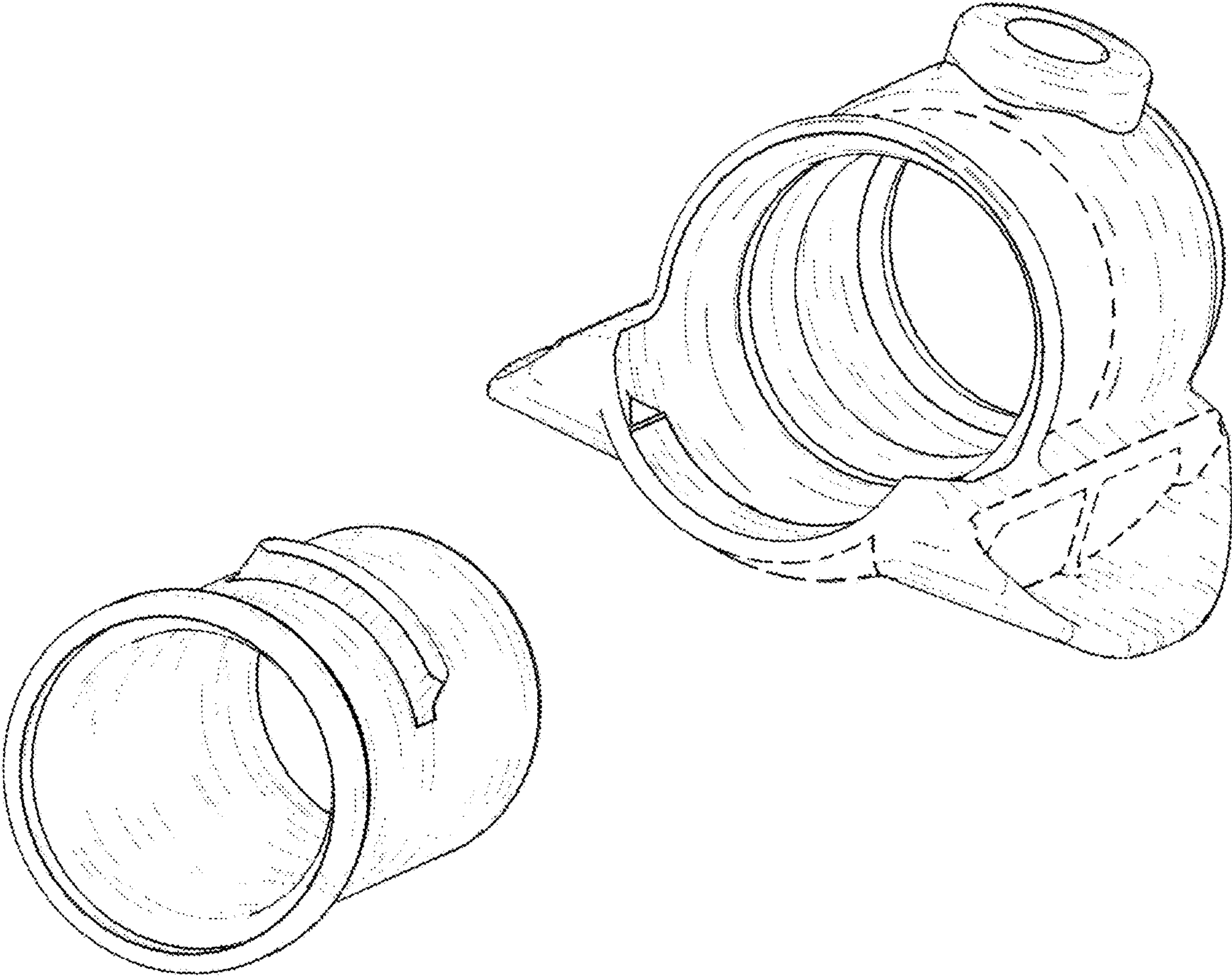


FIG. 7

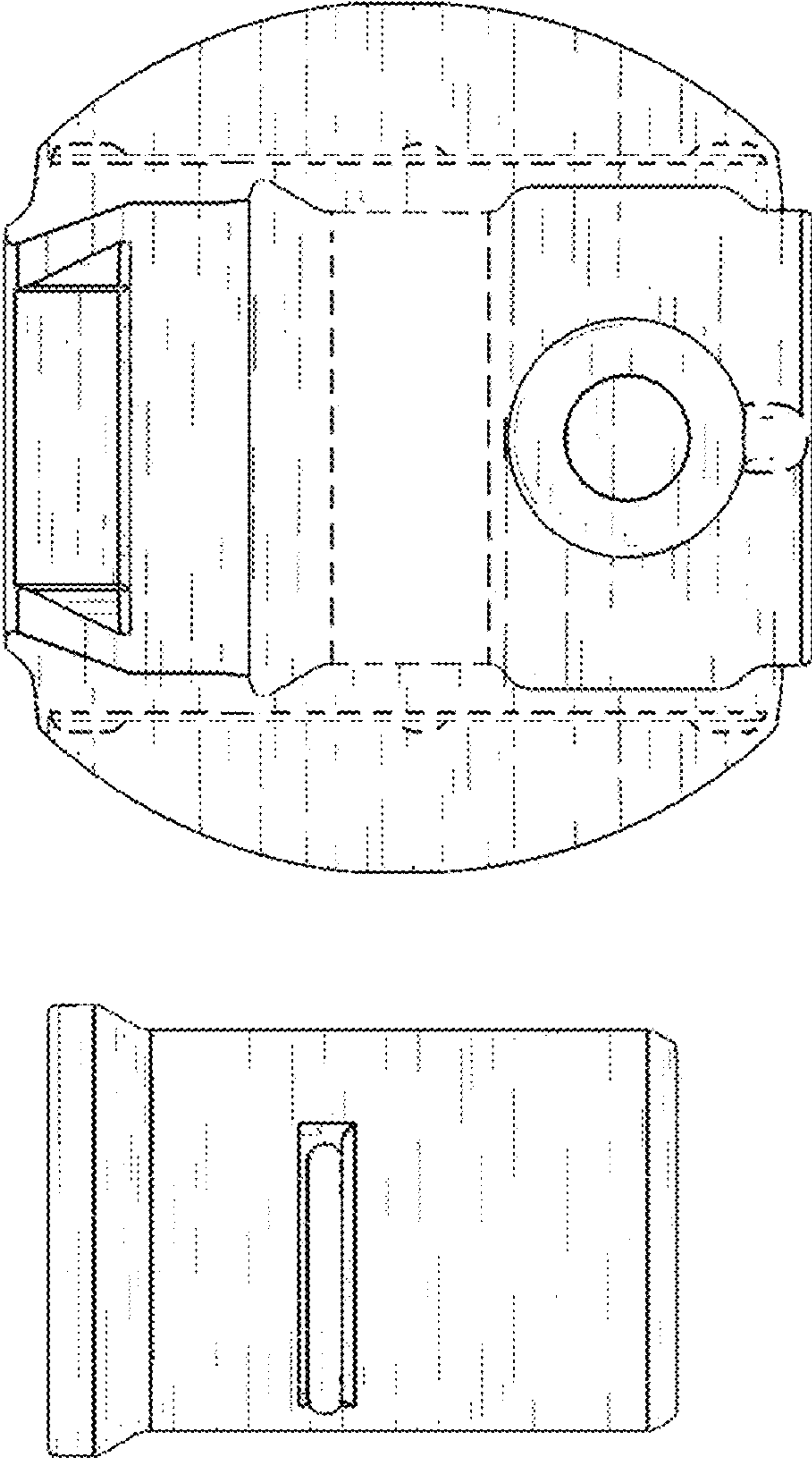


FIG. 8

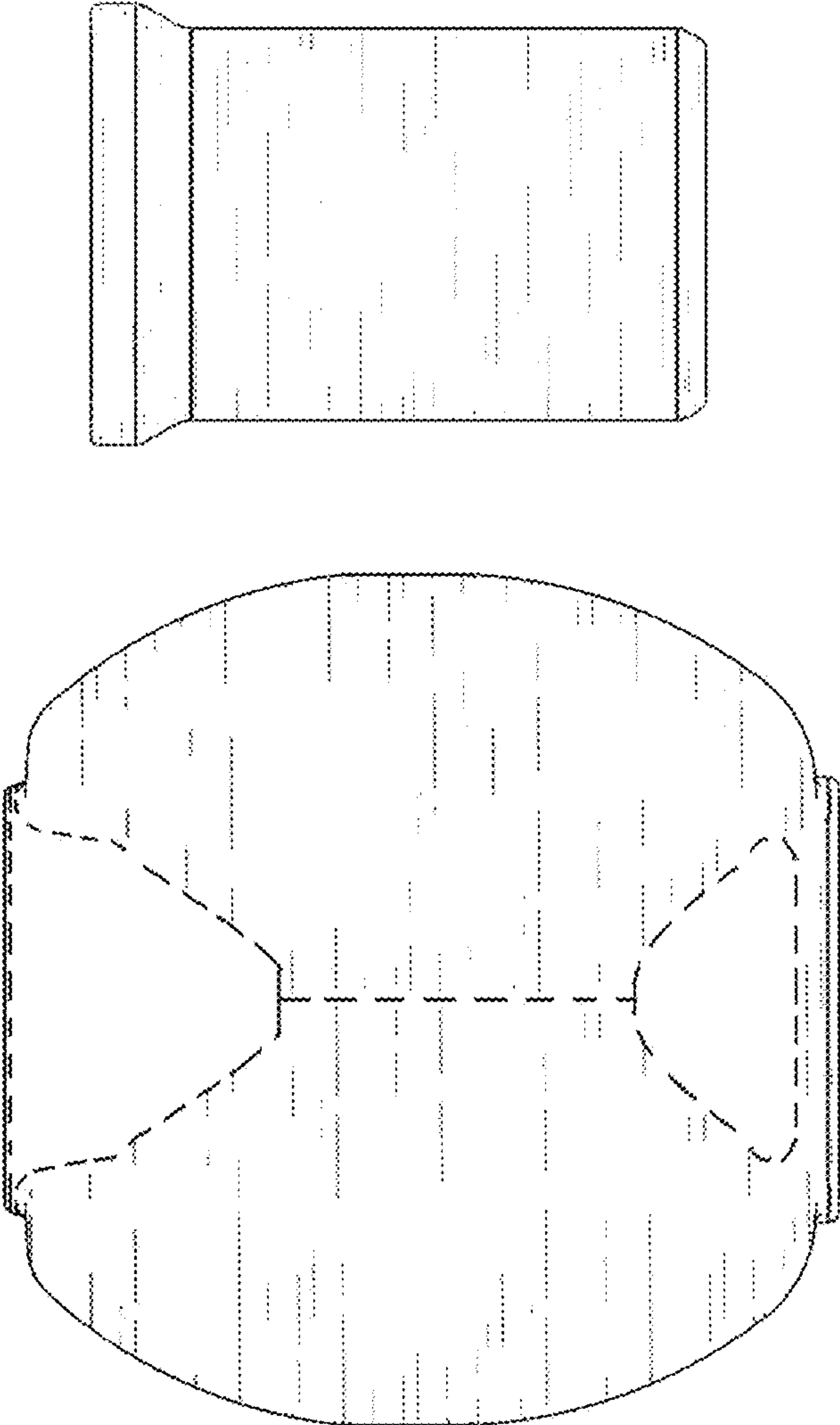


FIG. 9

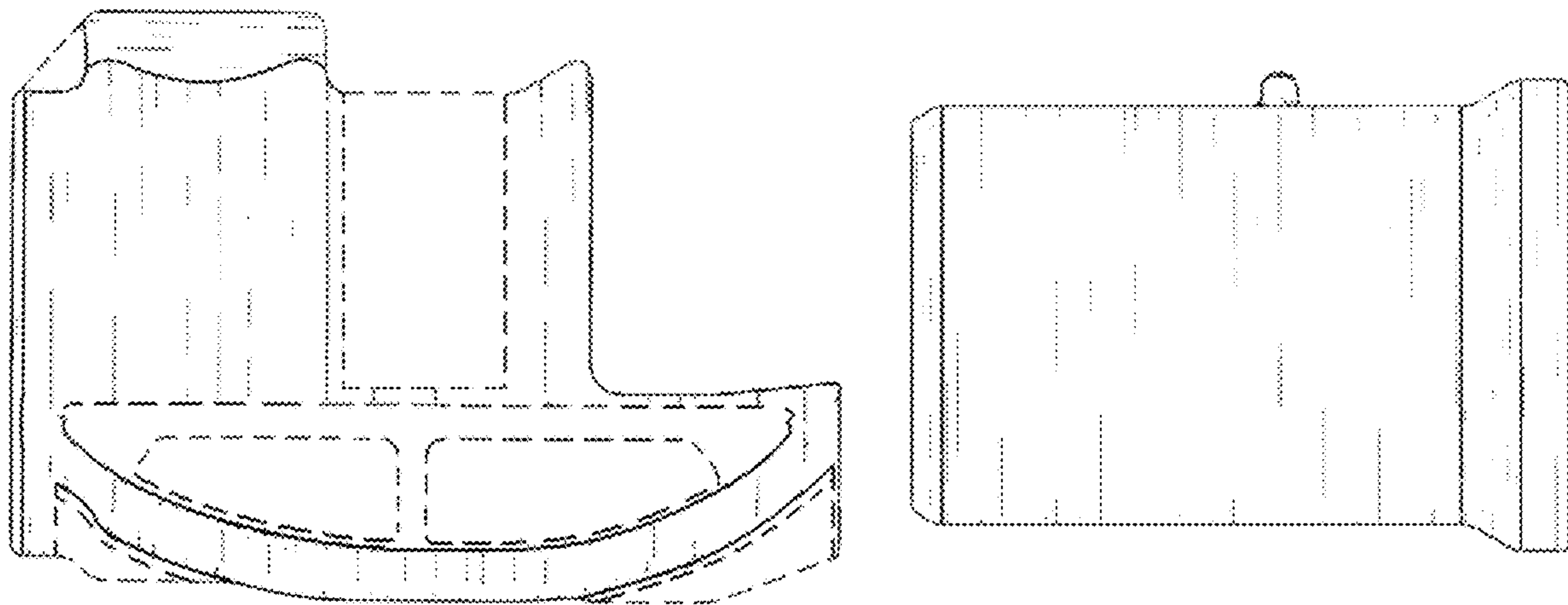


FIG. 10

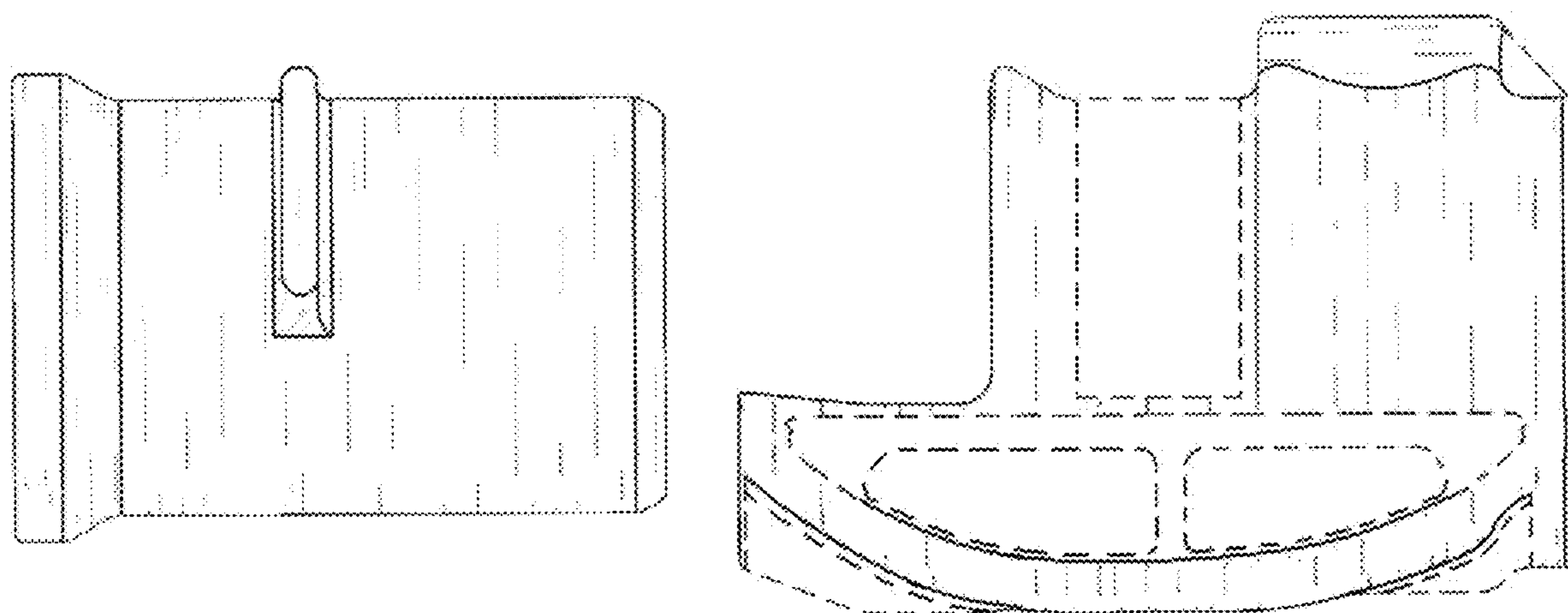


FIG. 11

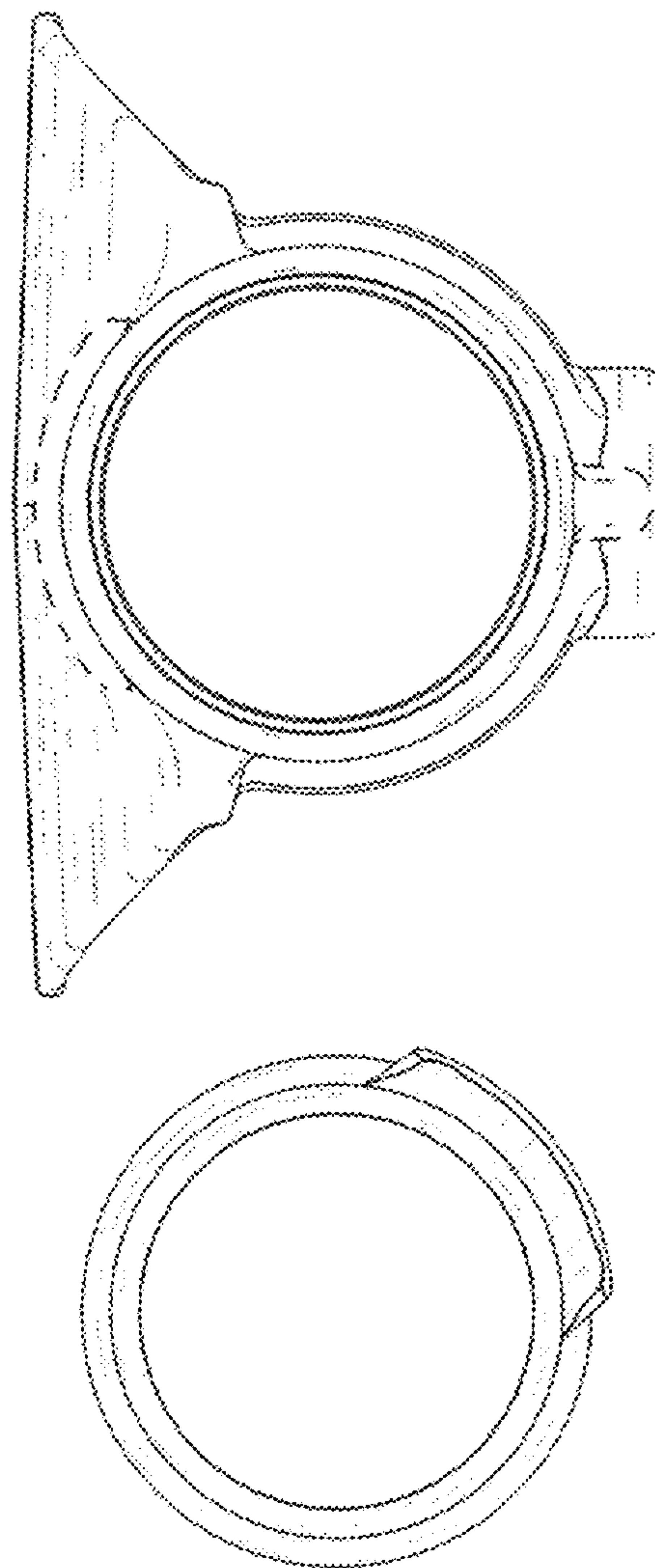


FIG. 12

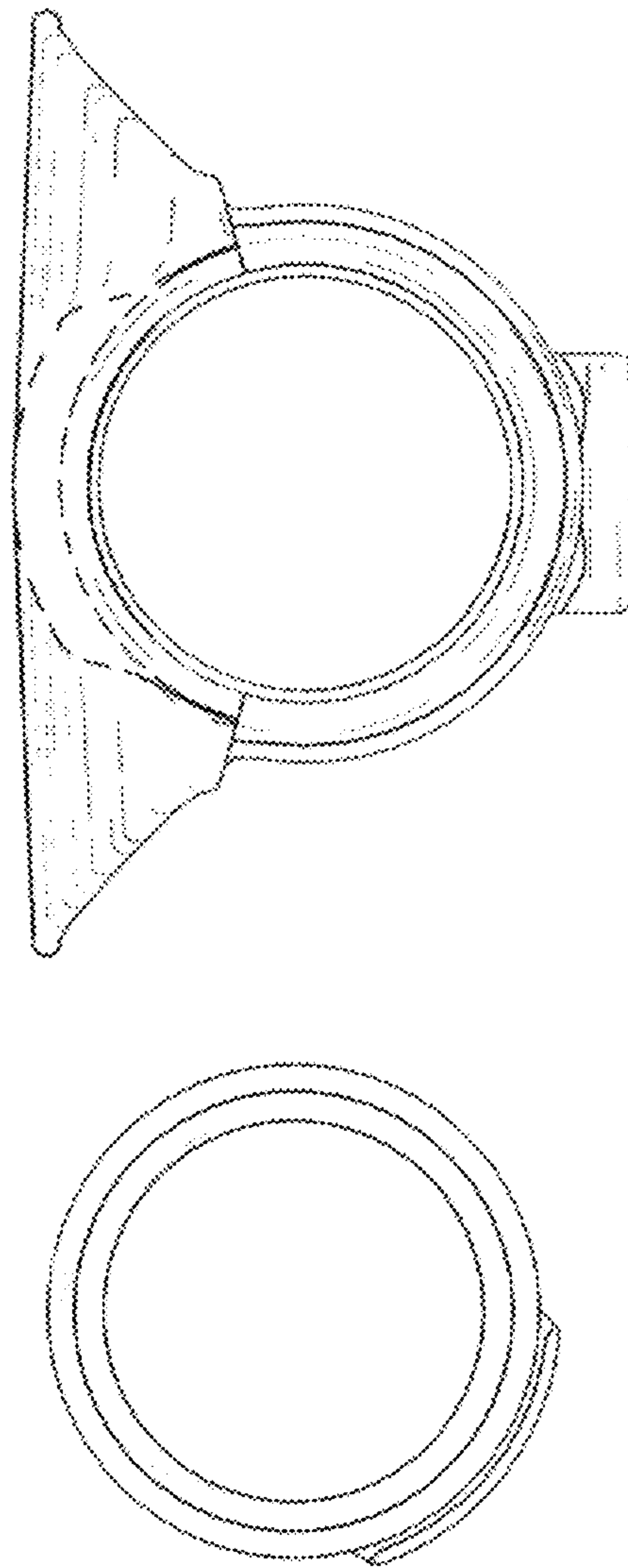


FIG. 13

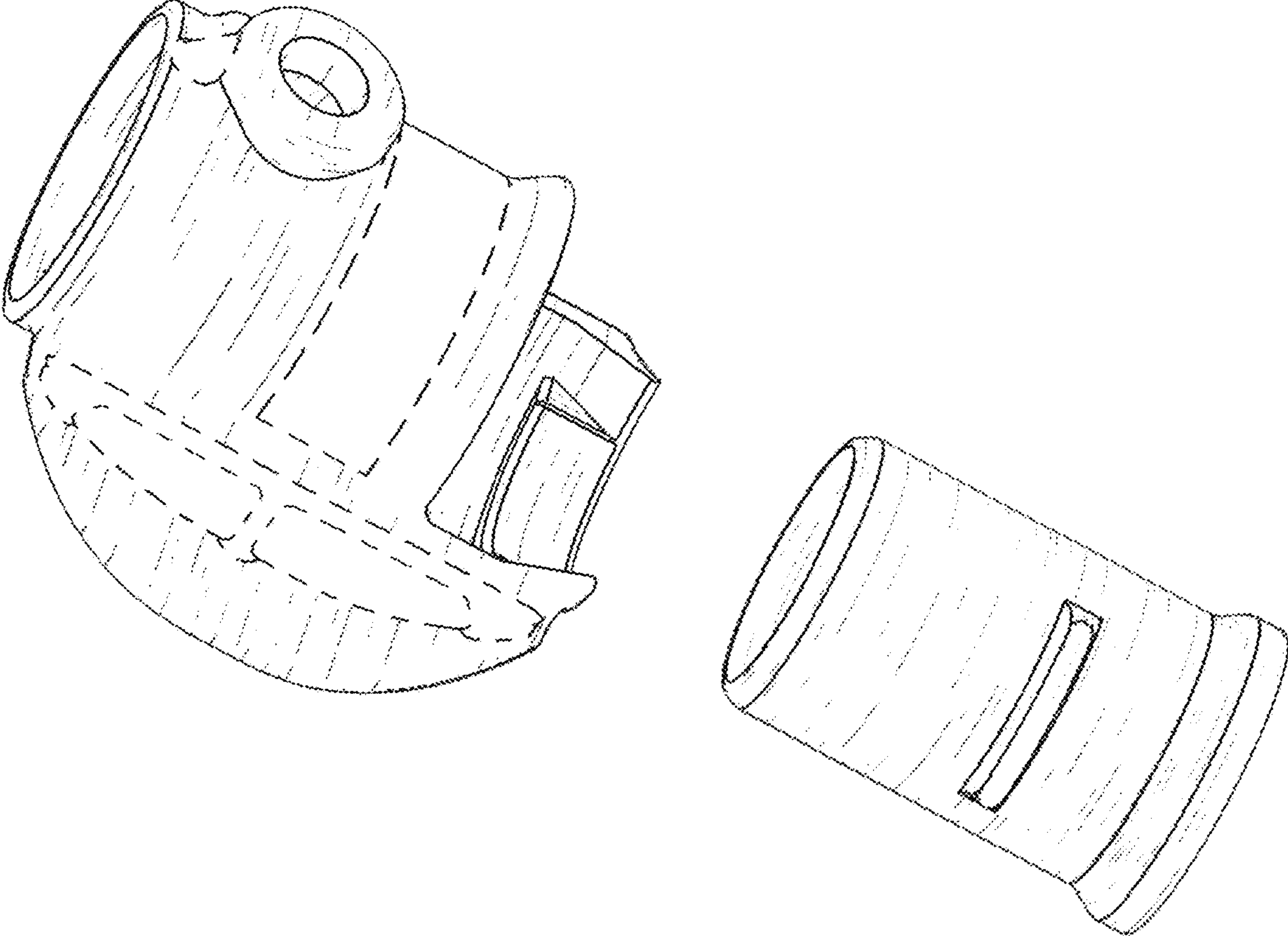


FIG. 14

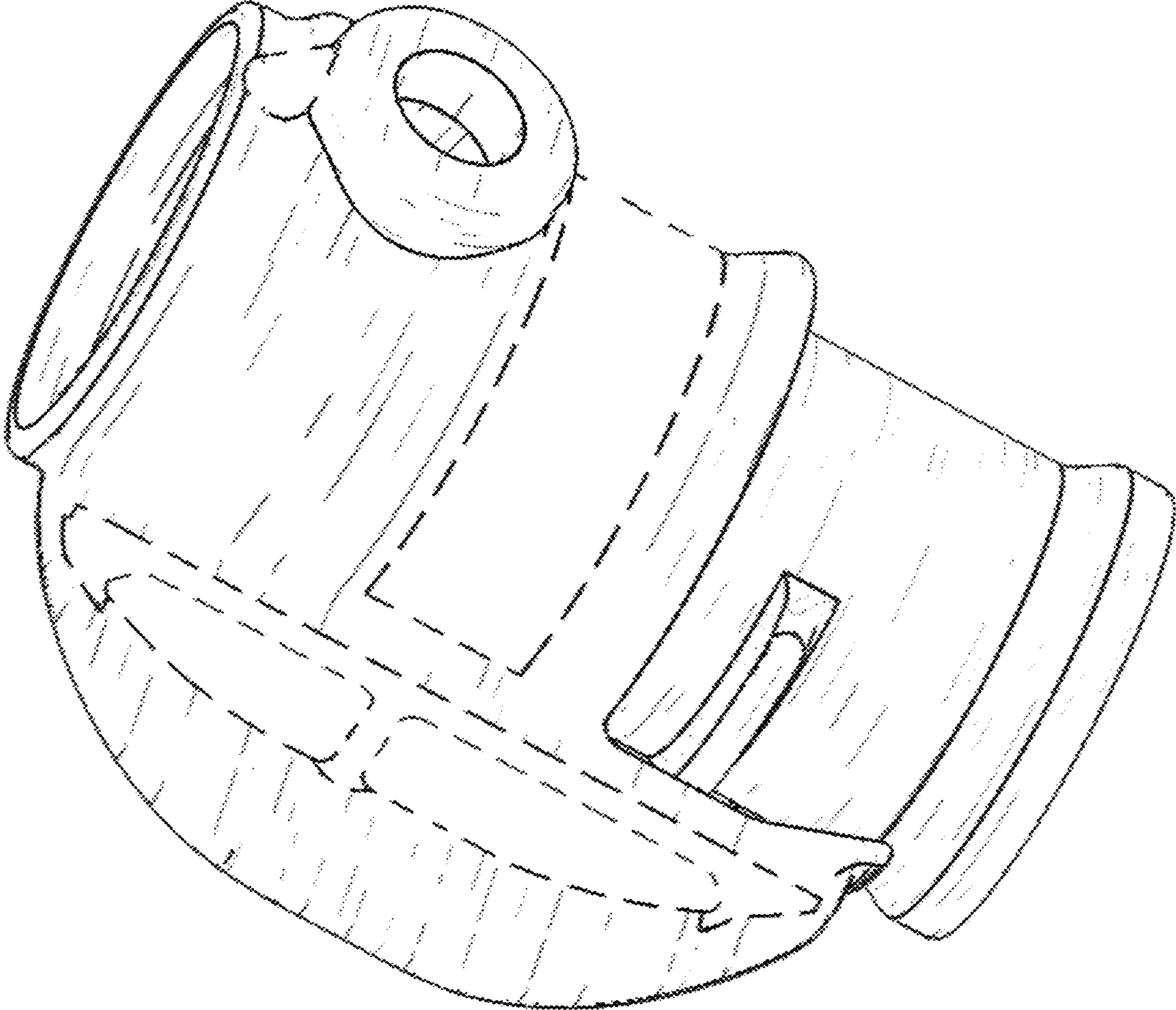


FIG. 15

