



US00D914851S

(12) **United States Design Patent**  
**Ravassa et al.**

(10) **Patent No.:** **US D914,851 S**  
(45) **Date of Patent:** **\*\* Mar. 30, 2021**

- (54) **DRAIN**
- (71) Applicant: **AS America, Inc.**, Piscataway, NJ (US)
- (72) Inventors: **Gabriela Ravassa**, Brooklyn, NY (US);  
**Jiekun Qian**, Astoria, NY (US);  
**Jean-Jacques L’Henaff**, New Canaan, CT (US)
- (73) Assignee: **AS America, Inc.**, Piscataway, NJ (US)
- (\*\*) Term: **15 Years**
- (21) Appl. No.: **29/719,841**
- (22) Filed: **Jan. 8, 2020**
- (51) **LOC (13) Cl.** ..... **23-01**
- (52) **U.S. Cl.**  
USPC ..... **D23/261**
- (58) **Field of Classification Search**  
USPC ..... D23/209, 259–261, 287, 308, 249, 210;  
4/652, 656, 286–287, 290–293, 295, 650,  
4/680, 683–684, 688, 694; 210/460, 174  
CPC ..... E03C 1/186; A47J 47/005; B01D 29/44  
See application file for complete search history.

(56) **References Cited**

**U.S. PATENT DOCUMENTS**

1,375,222	A *	4/1921	Lutz	.....	E03C 1/262
					210/163
2,689,017	A *	9/1954	Schmid	.....	E04D 13/0409
					210/164
3,212,416	A *	10/1965	Boersma	.....	E03F 5/06
					210/164
3,412,759	A *	11/1968	Potter	.....	F16L 55/132
					138/89

D284,543	S *	7/1986	Huls	.....	D7/388
D337,372	S *	7/1993	Safford	.....	D23/249
5,662,138	A *	9/1997	Wang	.....	E03F 5/042
					137/315.08
6,766,545	B2 *	7/2004	Hodges	.....	E03C 1/20
					210/164
D564,636	S *	3/2008	Hanna	.....	D23/261
D673,656	S *	1/2013	Feliciano	.....	D23/261
9,009,876	B2 *	4/2015	Coscarella	.....	E03F 5/06
					4/286
9,204,762	B2 *	12/2015	McLeod	.....	A47K 1/14
2014/0223659	A1 *	8/2014	Gay	.....	E03C 1/244
					4/694

\* cited by examiner

*Primary Examiner* — Amy C Wierenga

(74) *Attorney, Agent, or Firm* — Tyler A. Stevenson;  
Anna-lisa L. Gallo

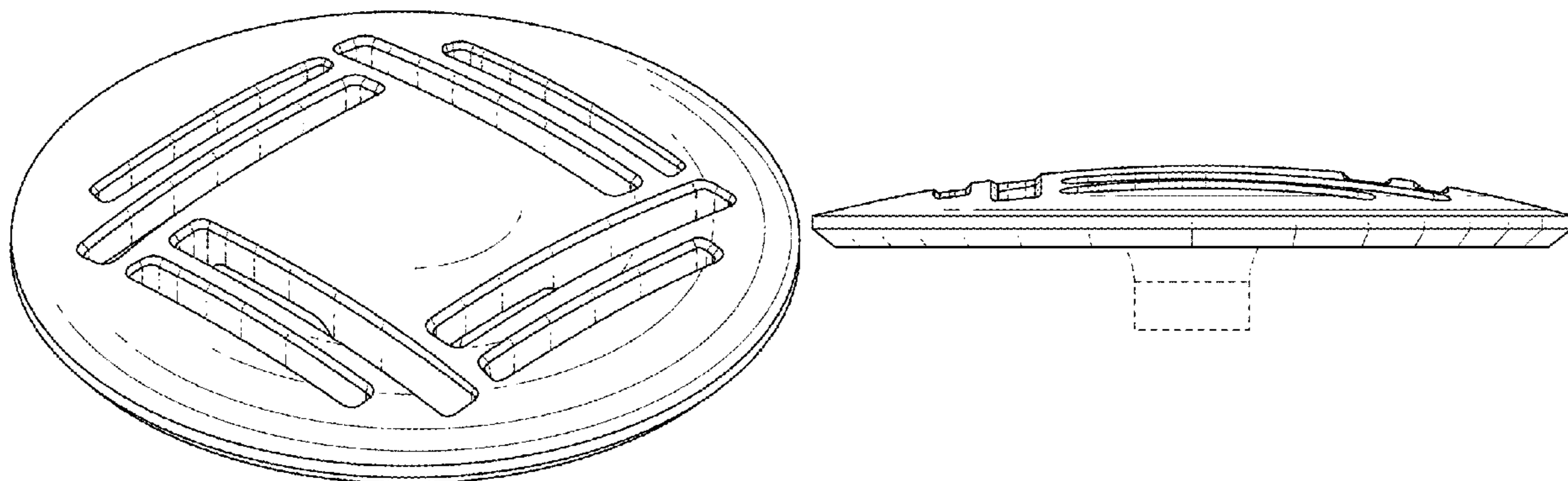
(57) **CLAIM**

We claim the ornamental design for a drain, as shown and described.

**DESCRIPTION**

FIG. 1 is a top perspective view of a drain showing our new design;  
 FIG. 2 is a front view thereof;  
 FIG. 3 is a rear side view thereof;  
 FIG. 4 is a left side view thereof;  
 FIG. 5 is a right side view thereof;  
 FIG. 6 is a top view thereof;  
 FIG. 7 is a bottom view thereof; and,  
 FIG. 8 is a bottom perspective view.  
 The broken lines illustrate portions of the drain that form no part of the claim.

**1 Claim, 4 Drawing Sheets**



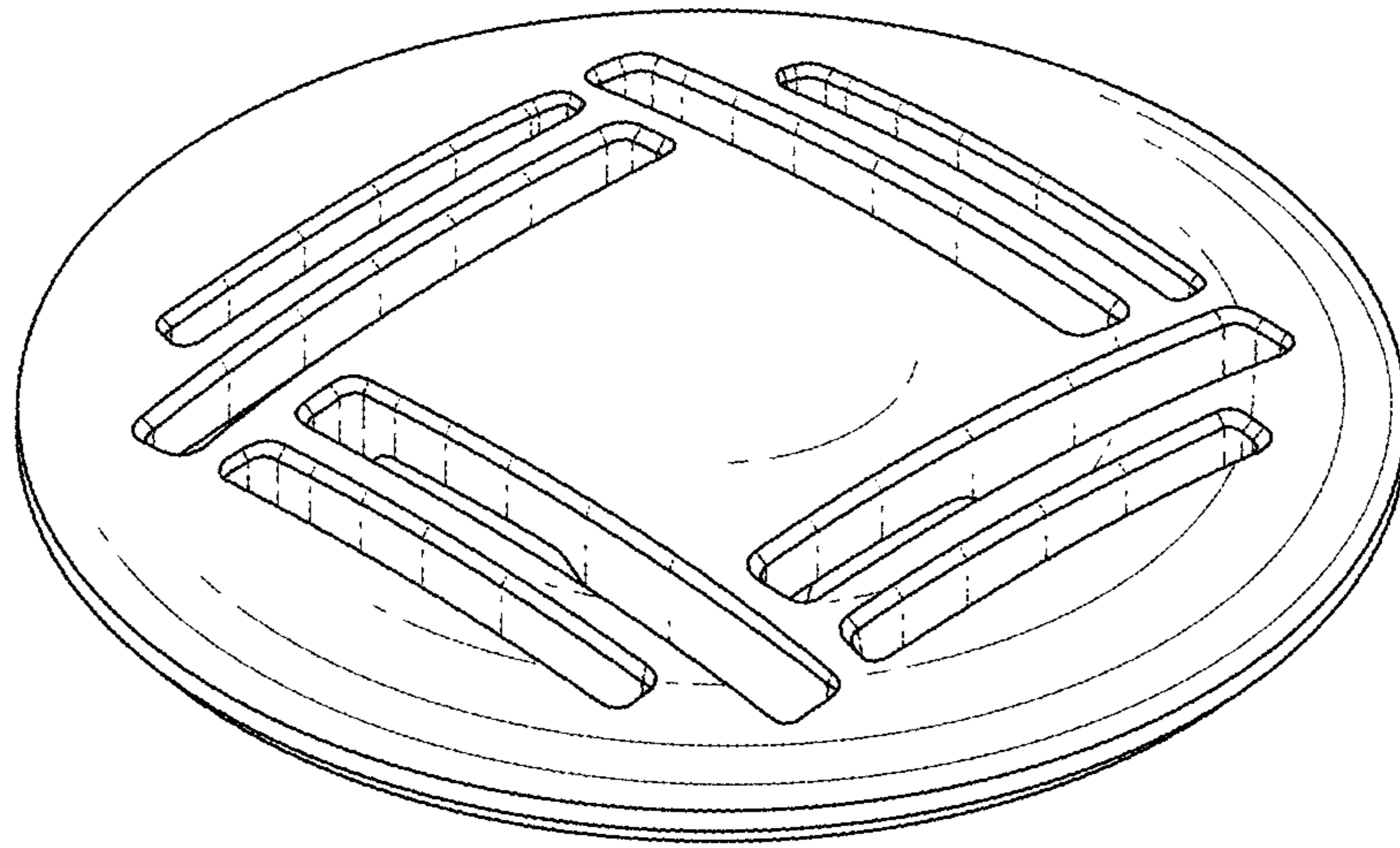


FIG. 1

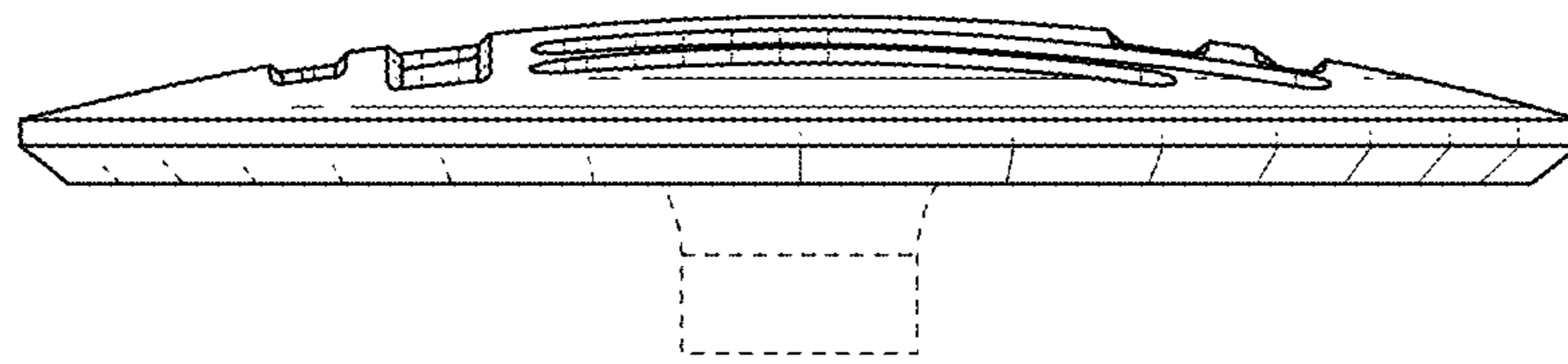


FIG. 2

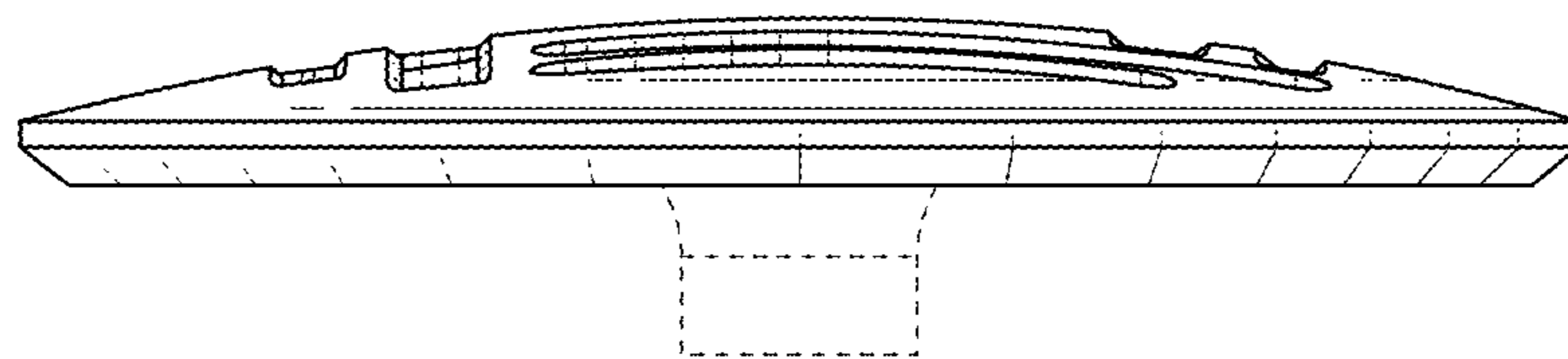


FIG. 3

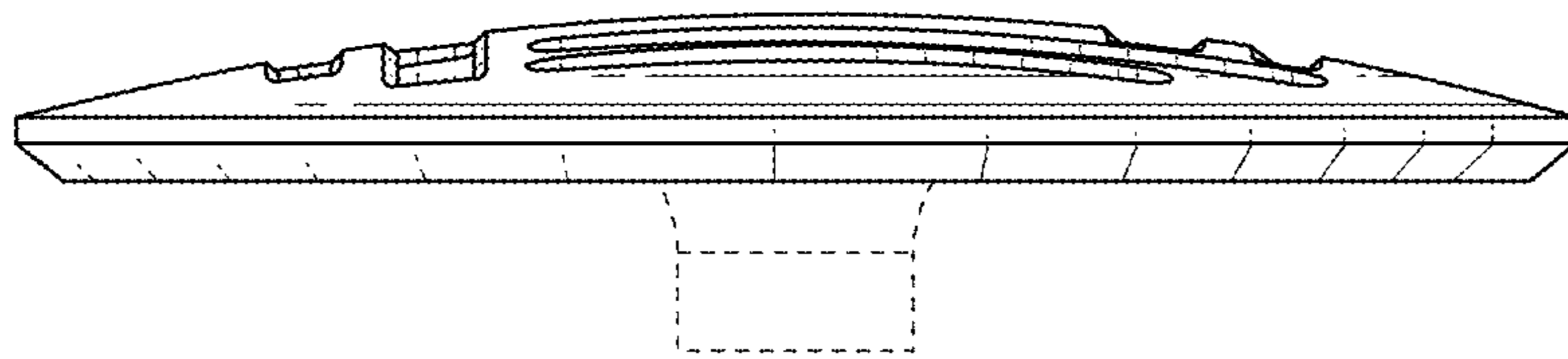


FIG. 4

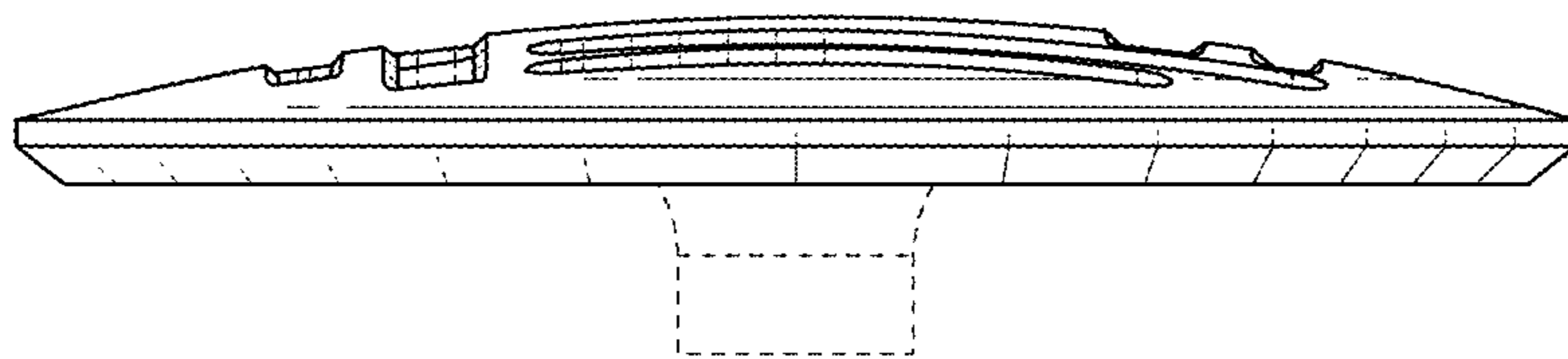


FIG. 5

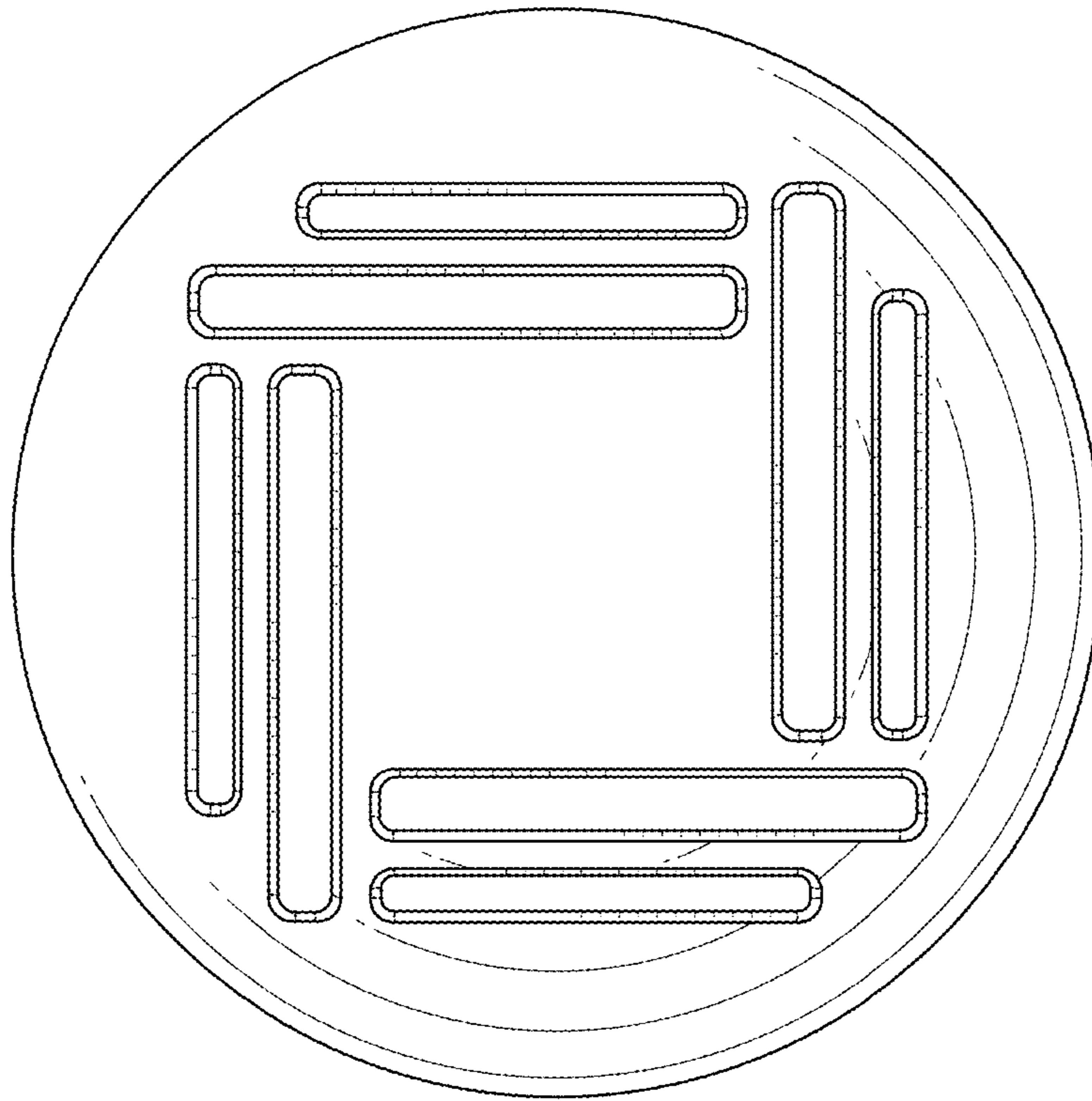


FIG. 6

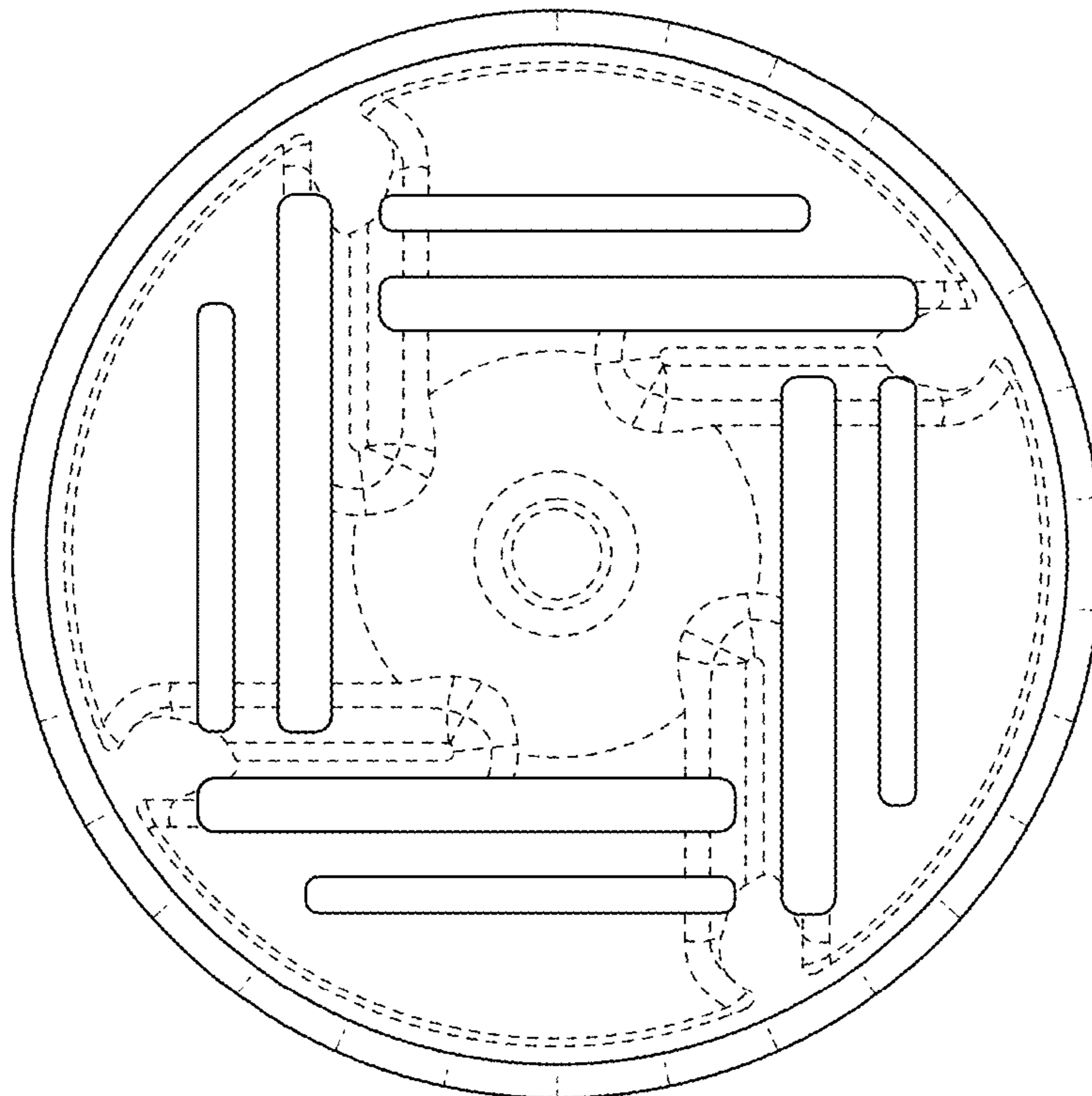


FIG. 7

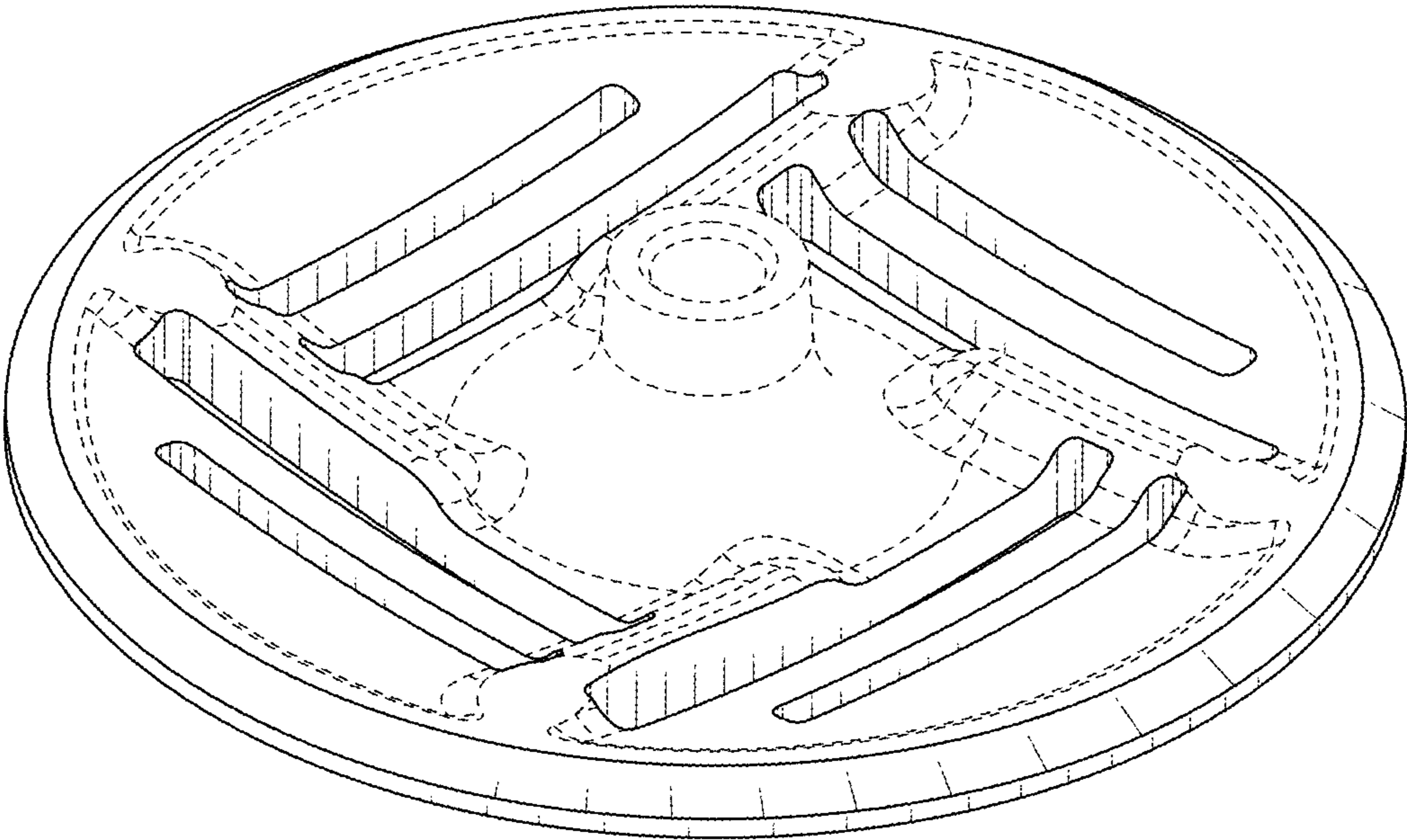


FIG. 8