



US00D914850S

(12) **United States Design Patent**
Thun

(10) **Patent No.:** **US D914,850 S**

(45) **Date of Patent:** **** Mar. 30, 2021**

(54) **TAP**

(71) Applicant: **Duravit Aktiengesellschaft**, Hornberg
(DE)

(72) Inventor: **Matteo Thun**, Milan (IT)

(**) Term: **15 Years**

(21) Appl. No.: **35/507,426**

(22) Filed: **Jan. 30, 2019**

(80) **Hague Agreement Data**

Int. Filing Date: **Jan. 30, 2019**

Int. Reg. No.: **DM/202589**

Int. Reg. Date: **Jan. 30, 2019**

Int. Reg. Pub. Date: **Sep. 13, 2019**

(51) **LOC (13) Cl.** **23-01**

(52) **U.S. Cl.**
USPC **D23/255**
CPC **F16K 31/60** (2013.01); **Y10T 137/9464**
(2015.04)

(58) **Field of Classification Search**
USPC D23/238–242, 249, 255, 257
CPC .. Y10T 137/9464; Y10T 137/00; F16K 31/60
See application file for complete search history.

(56) **References Cited**

U.S. PATENT DOCUMENTS

D291,117 S * 7/1987 Ryan D23/255
D363,766 S * 10/1995 Hill D9/503

D364,218 S * 11/1995 Hill D23/255
D535,358 S * 1/2007 Demmer D23/238
D536,065 S * 1/2007 Wang D23/238
D569,486 S * 5/2008 Fritz D23/241
D579,089 S * 10/2008 Dolan D23/255
D580,016 S * 11/2008 Downey D23/238
D609,309 S * 2/2010 Fritz D23/252
D611,574 S * 3/2010 Lammel D23/257
D629,071 S * 12/2010 Matsuura D23/255
D657,026 S * 4/2012 Berger D23/255
D664,241 S * 7/2012 Tang D23/238
D718,843 S * 12/2014 Garland D23/255
D754,295 S * 4/2016 Lord D23/238
D803,356 S * 11/2017 Lucchese D23/238
D803,357 S * 11/2017 Lucchese D23/238
D870,859 S * 12/2019 Fritz D23/255
D881,348 S * 4/2020 Park D23/255

* cited by examiner

Primary Examiner — Richard E Chilcot

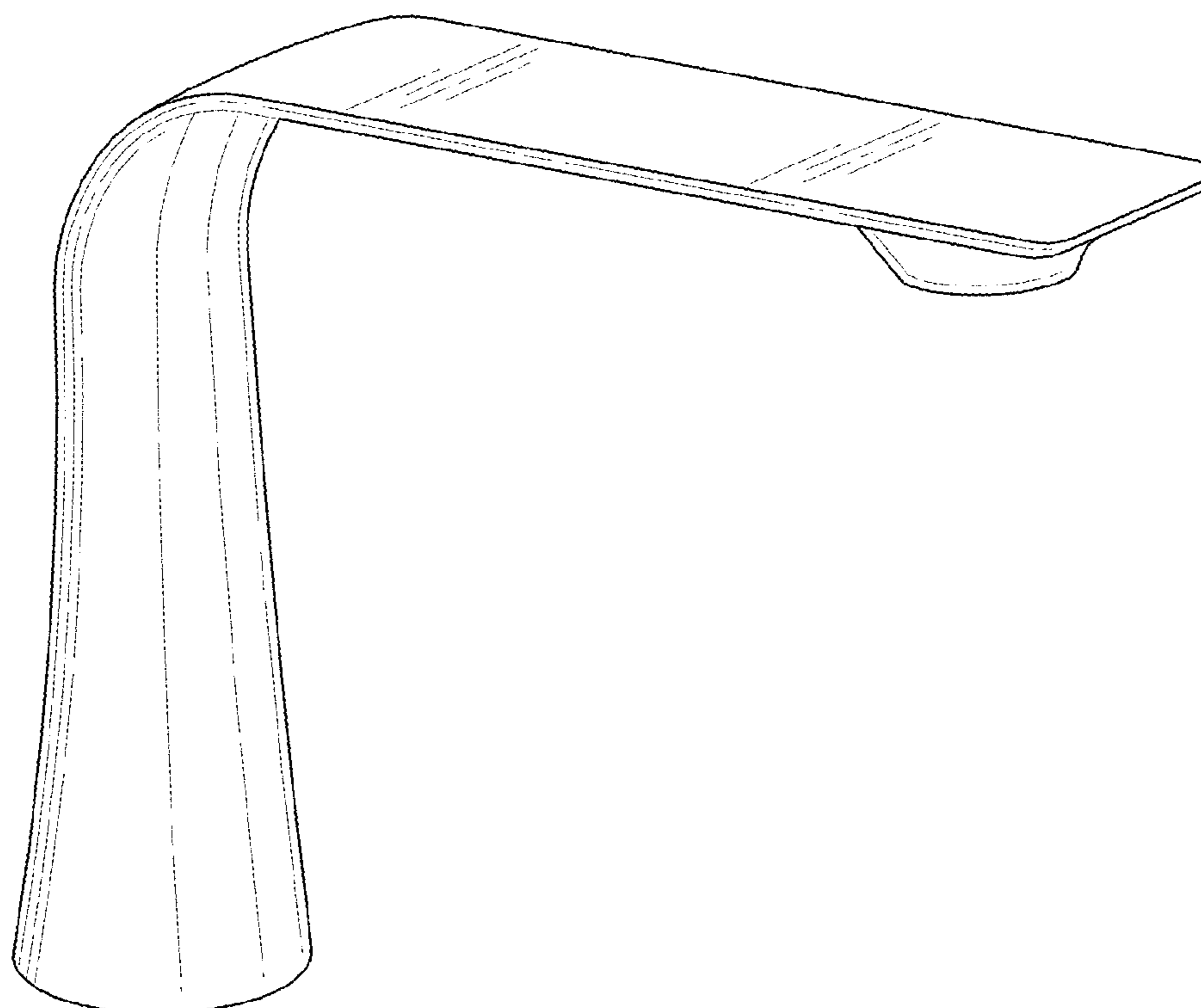
(57) **CLAIM**

The ornamental design for a tap, as shown and described.

DESCRIPTION

1. Tap
Figure 1.1 is a perspective view of the tap of the present invention.
Figure 1.2 is a side elevation of the tap of the present invention.
The broken lines shown in the drawings are for the purpose of illustrating portions of the tap that form no part of the claimed design.

1 Claim, 2 Drawing Sheets



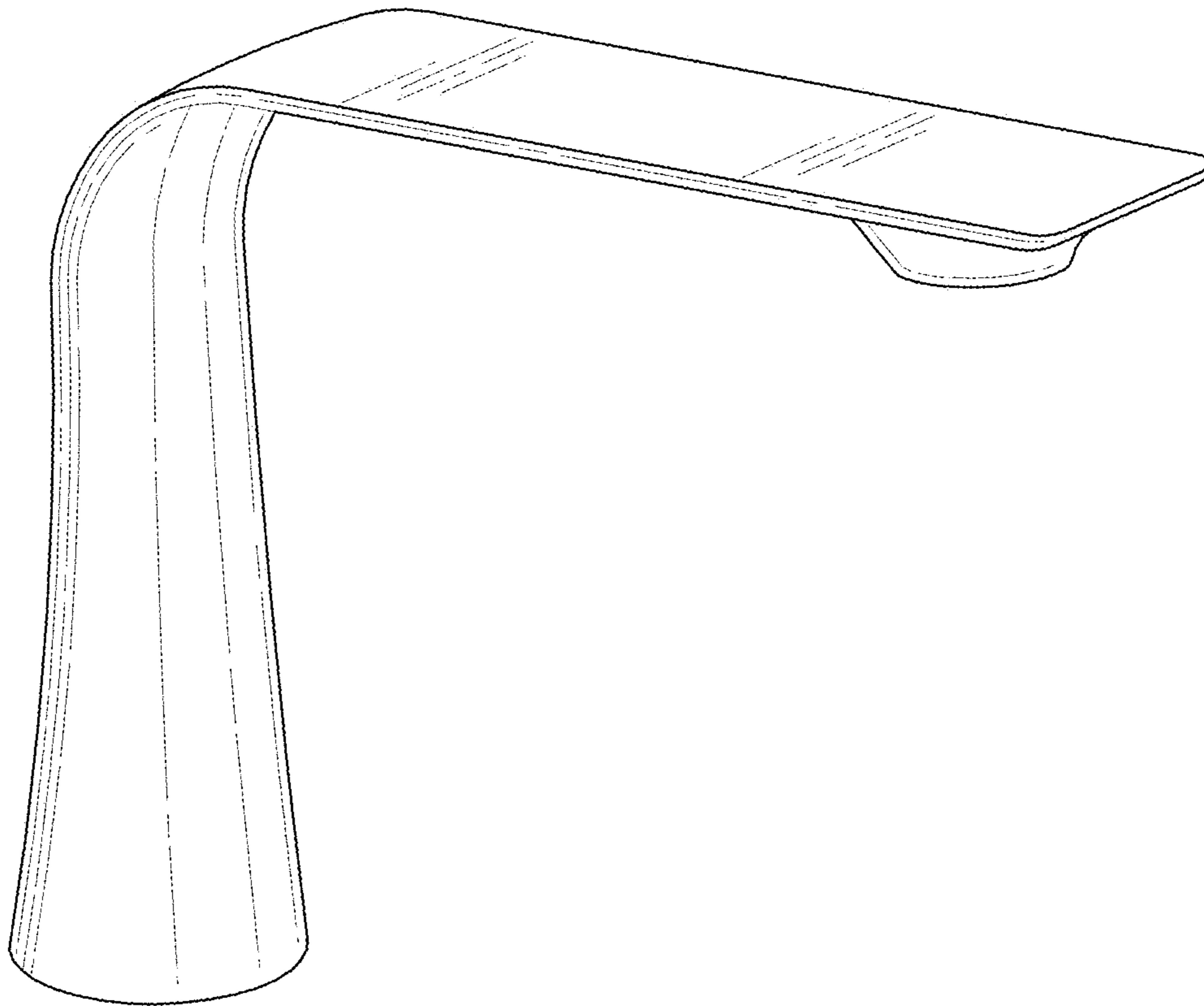


FIG. 1.1

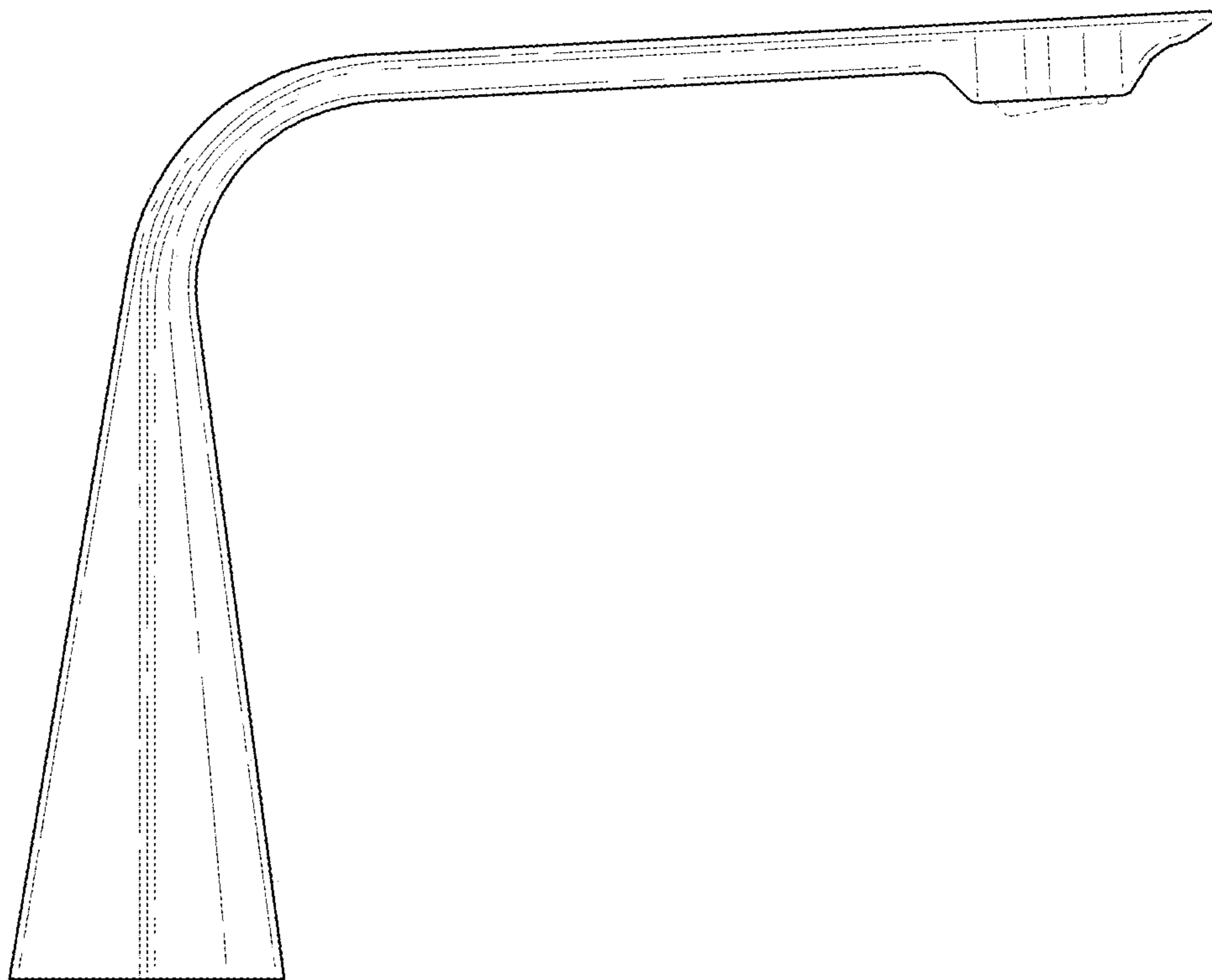


FIG. 1.2