



US00D914849S

(12) **United States Design Patent**  
**Stoler**

(10) **Patent No.:** **US D914,849 S**  
(45) **Date of Patent:** **\*\* Mar. 30, 2021**

- (54) **ESCUTCHEON**
- (71) Applicant: **DELTA FAUCET COMPANY**,  
Indianapolis, IN (US)
- (72) Inventor: **Benjamin David Stoler**, Carmel, IN  
(US)
- (73) Assignee: **DELTA FAUCET COMPANY**,  
Indianapolis, IN (US)
- (\*\*) Term: **15 Years**
- (21) Appl. No.: **29/686,598**
- (22) Filed: **Apr. 5, 2019**
- (51) **LOC (13) Cl.** ..... **23-01**
- (52) **U.S. Cl.**  
USPC ..... **D23/249**; D8/352
- (58) **Field of Classification Search**  
USPC ..... D23/238–243, 249; D8/352  
See application file for complete search history.

D855,158 S \* 7/2019 Eads ..... D23/238  
D855,768 S \* 8/2019 Eads ..... D23/238  
D856,493 S \* 8/2019 Spangler ..... D23/257

\* cited by examiner

*Primary Examiner* — Robert A Delehanty  
(74) *Attorney, Agent, or Firm* — Nirav D. Parikh; Edgar  
A. Zarins

(57) **CLAIM**

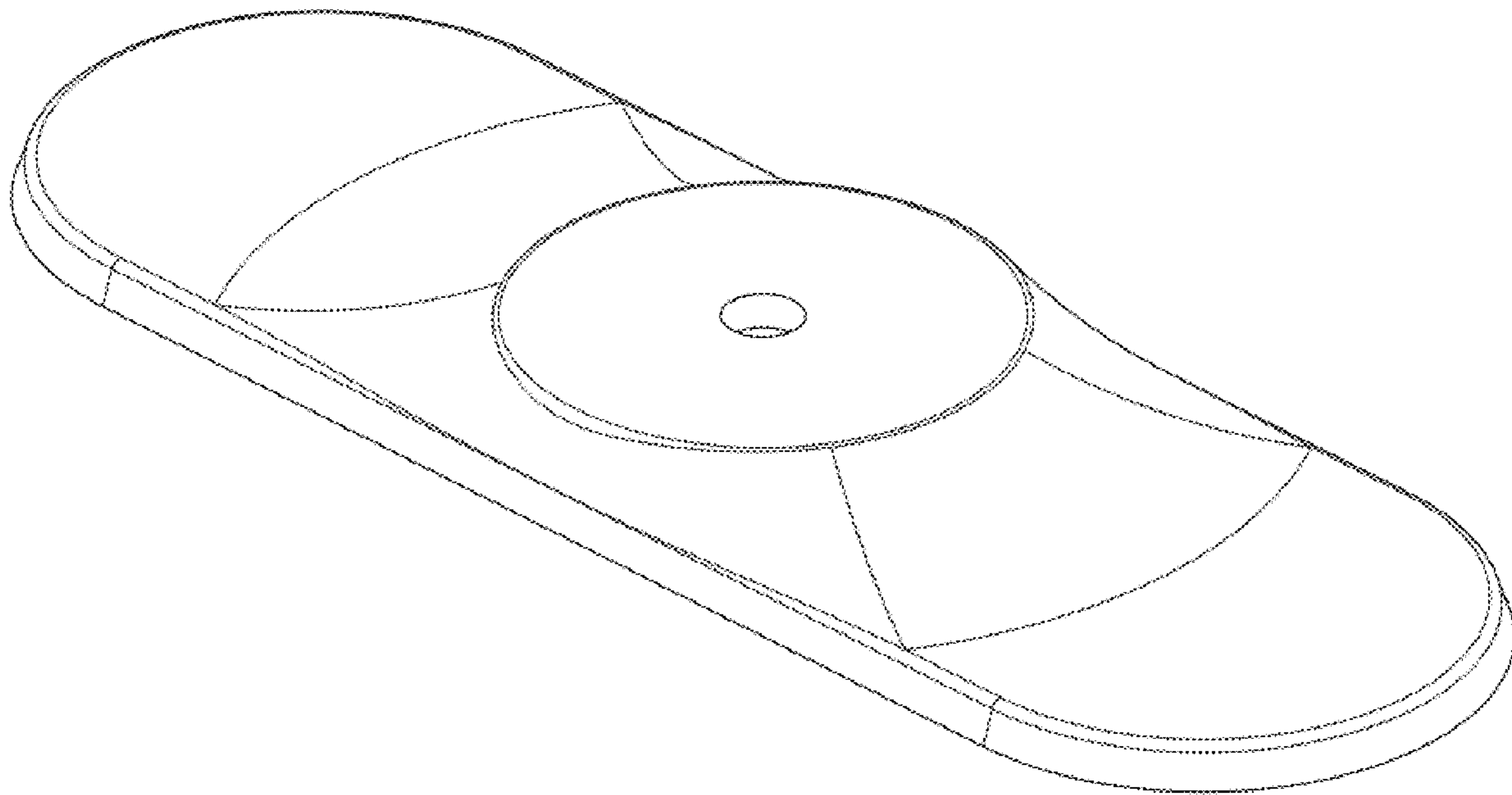
The ornamental design for an escutcheon, as shown and described.

**DESCRIPTION**

FIG. 1 is a front perspective view of an escutcheon showing my new design;  
FIG. 2 is a rear perspective view thereof;  
FIG. 3 is a front elevational view thereof;  
FIG. 4 is a left side view thereof;  
FIG. 5 is a rear view thereof;  
FIG. 6 is a right side view thereof; and,  
FIG. 7 is a top plan view thereof.

**1 Claim, 4 Drawing Sheets**

- (56) **References Cited**  
U.S. PATENT DOCUMENTS  
D399,923 S \* 10/1998 Ko ..... D23/238  
D527,799 S \* 9/2006 Schaffeld ..... D23/249



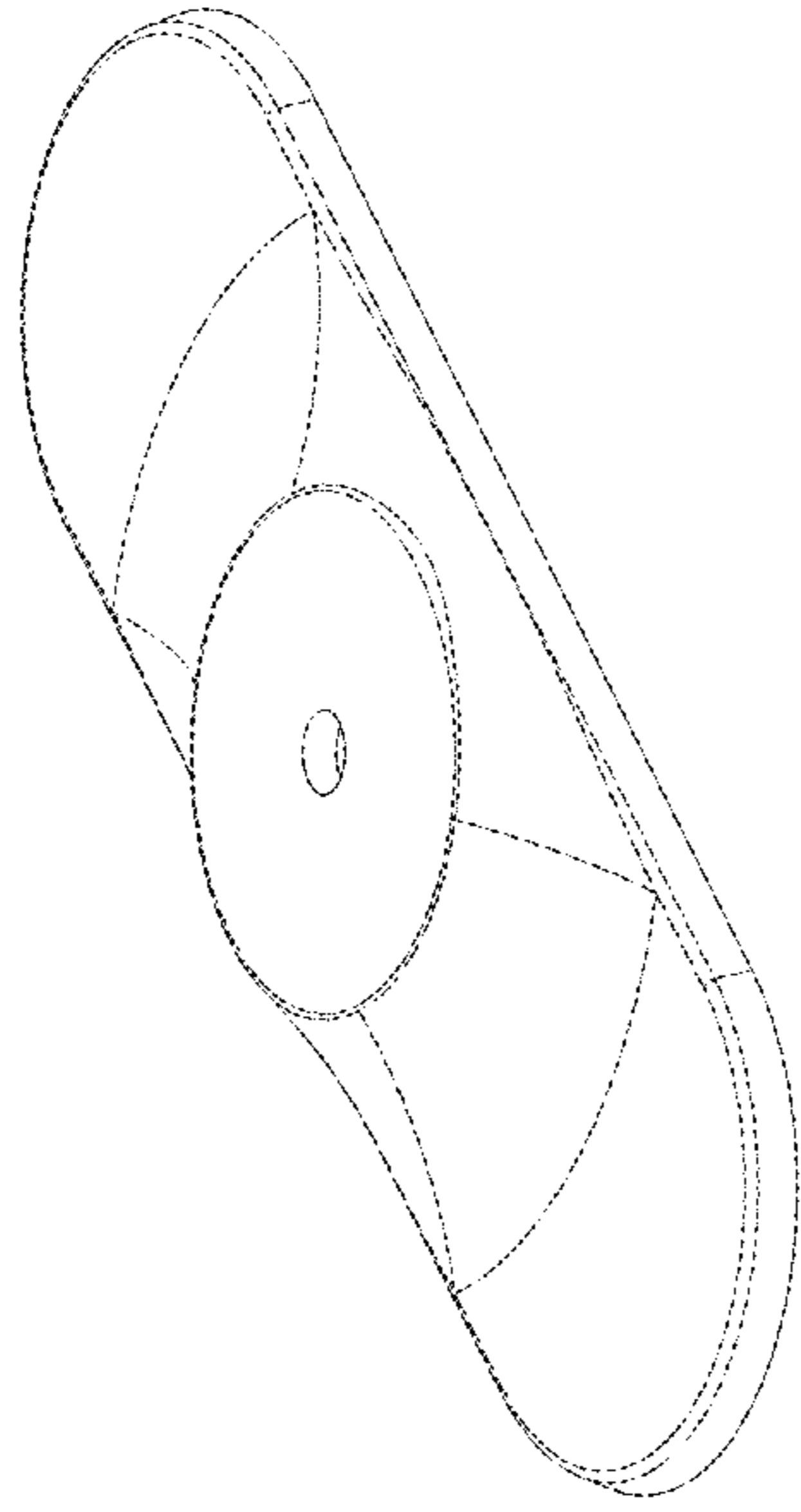


FIG - 2

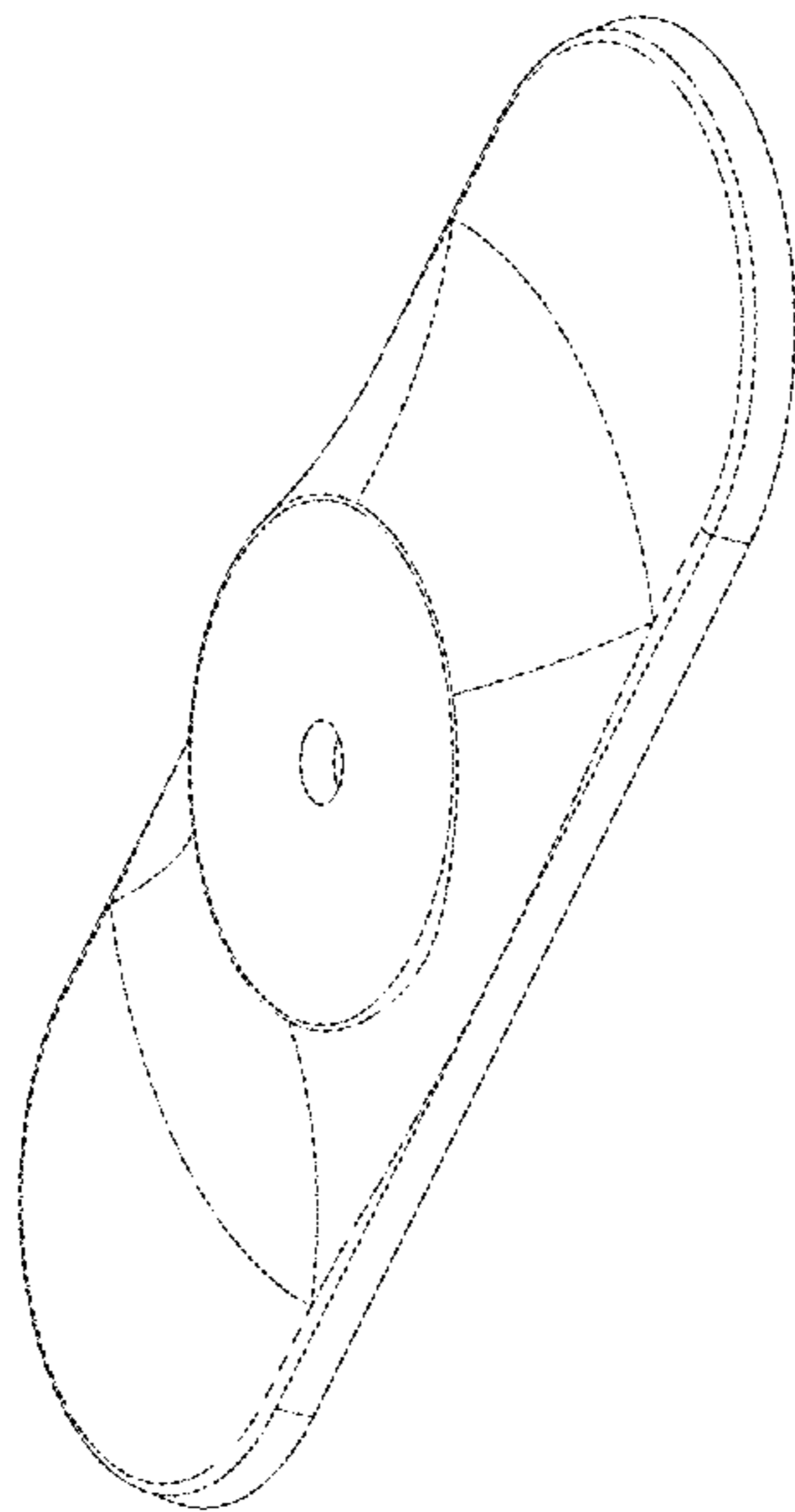


FIG - 1

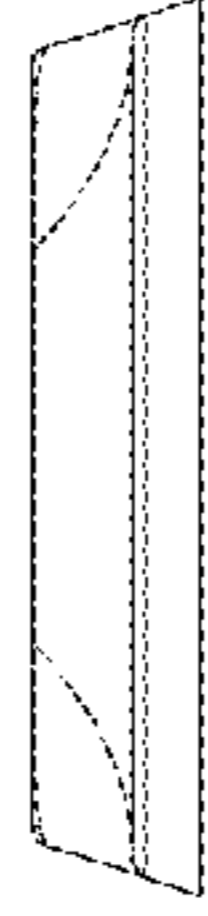


FIG - 4

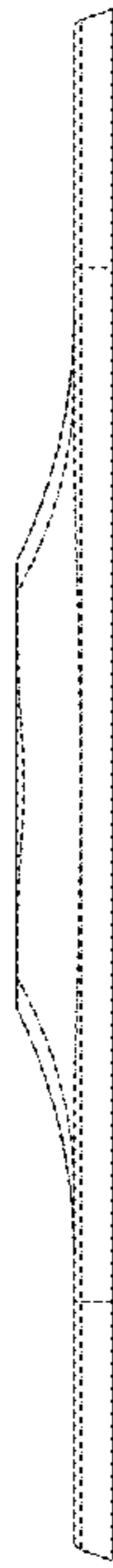


FIG - 3

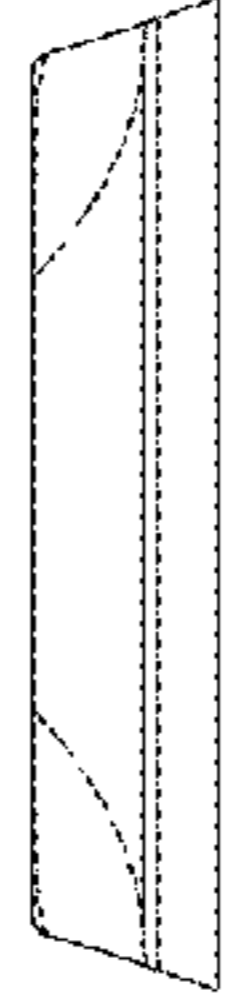


FIG - 6

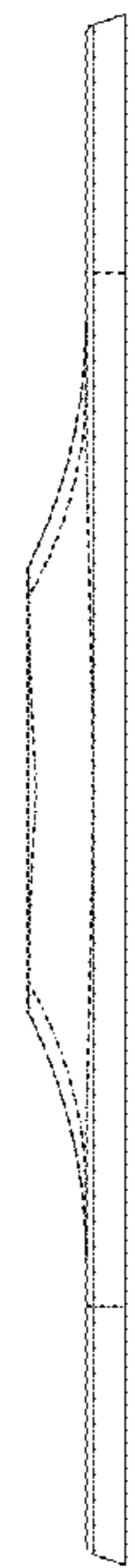


FIG - 5

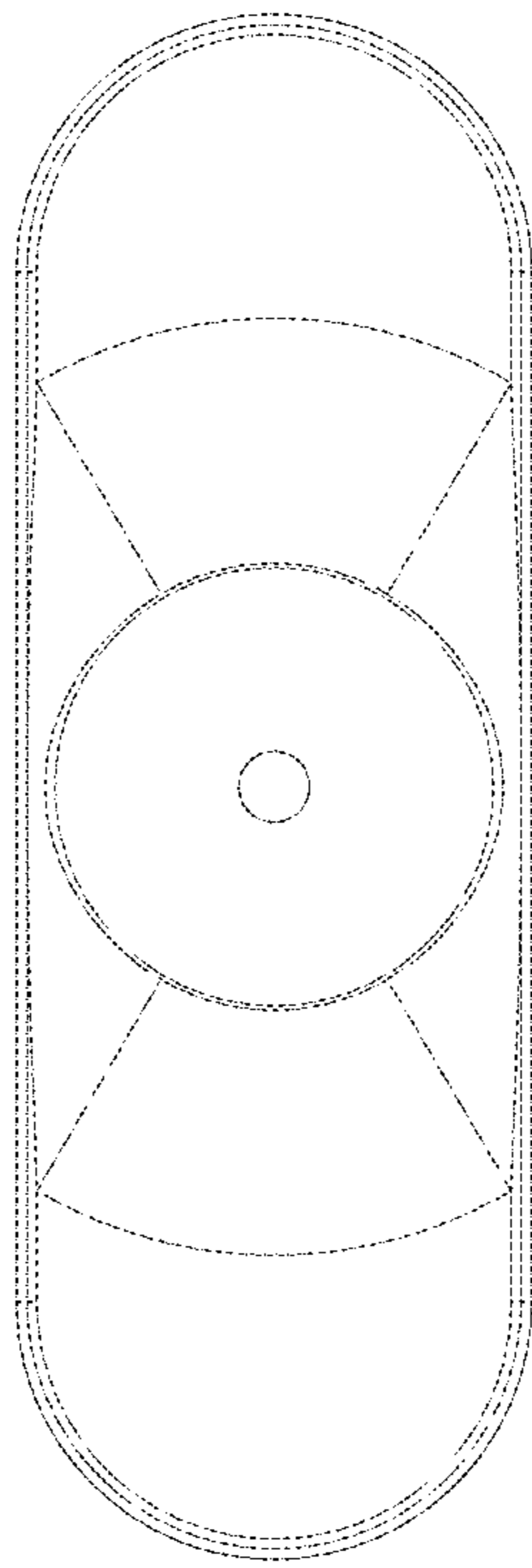


FIG - 7