



US00D914848S

(12) **United States Design Patent** (10) **Patent No.:** **US D914,848 S**
Eads (45) **Date of Patent:** **** Mar. 30, 2021**

(54) **FAUCET**
(71) Applicant: **DELTA FAUCET COMPANY,**
Indianapolis, IN (US)
(72) Inventor: **Thad Eads,** Urbana, IN (US)
(73) Assignee: **DELTA FAUCET COMPANY,**
Indianapolis, IN (US)
(**) Term: **15 Years**

D796,638 S * 9/2017 Liao D23/242
D820,409 S * 6/2018 Zeng D23/242
D822,171 S * 7/2018 Bennett D23/242
D839,390 S * 1/2019 Eads D23/242
D859,591 S * 9/2019 Kuang D23/242
D865,126 S * 10/2019 Zeng D23/242

(Continued)

FOREIGN PATENT DOCUMENTS

CA 82581 * 12/1997
CA 86499 * 4/1999

(Continued)

(21) Appl. No.: **29/693,041**
(22) Filed: **May 30, 2019**
(51) **LOC (13) Cl.** **23-01**
(52) **U.S. Cl.**
USPC **D23/242**
(58) **Field of Classification Search**
USPC D23/238–243, 254, 255, 257;
D8/307–308
CPC F16K 31/602; F16K 31/605; F16K 31/607;
E03C 1/0412; E03C 1/0401; E03C
1/0402; E03C 1/0404
See application file for complete search history.

OTHER PUBLICATIONS

Two handle faucet, announced Date unavailable[online], [site visited Jul. 13, 2020]. Available from internet, URL:<<https://www.deltafaucet.com/kitchen/product/2497LF-CZ>> (Year: 2020).*

(Continued)

Primary Examiner — Barbara Fox
Assistant Examiner — Jamaal Rasheed
(74) *Attorney, Agent, or Firm* — Nirav D. Parikh; Edgar A. Zarins

(56) **References Cited**

U.S. PATENT DOCUMENTS

D368,302 S * 3/1996 Doughty D23/241
D406,876 S * 3/1999 Ko D23/241
D518,149 S * 3/2006 Spangler D23/241
D520,115 S * 5/2006 Fritz D23/241
D522,093 S * 5/2006 Fritz D23/241
D643,096 S * 8/2011 Corbett D23/242
D657,019 S * 4/2012 Padgett D23/242
D704,305 S * 5/2014 Flowers D23/242
D754,297 S * 4/2016 Garland D23/242
D755,932 S * 5/2016 Fritz D23/242
D767,099 S * 9/2016 Flowers D23/242
D791,279 S * 7/2017 Fritz D23/242
D791,280 S * 7/2017 Fritz D23/242

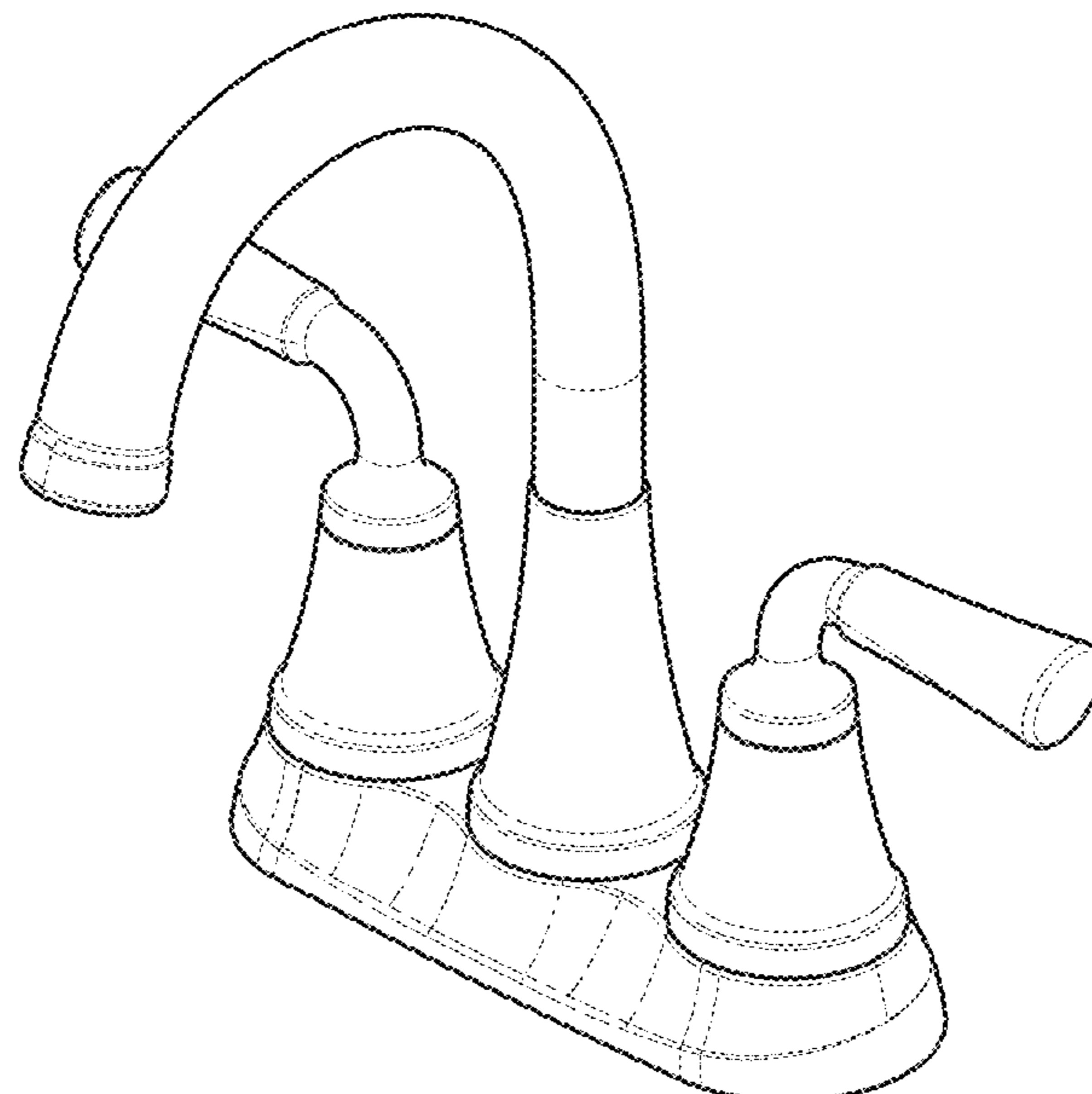
(57) **CLAIM**

The ornamental design for a faucet, as shown and described.

DESCRIPTION

FIG. 1 is a front perspective view of a faucet showing my new design;
FIG. 2 is a rear perspective view thereof;
FIG. 3 is a left side view thereof;
FIG. 4 is a front elevational view thereof;
FIG. 5 is a rear view thereof;
FIG. 6 is a right side view thereof; and,
FIG. 7 is a top plan view thereof.

1 Claim, 4 Drawing Sheets



(56)

References Cited

U.S. PATENT DOCUMENTS

D873,965 S * 1/2020 Lazarini D23/241
2019/0390446 A1* 12/2019 Mooren E03C 1/0401

FOREIGN PATENT DOCUMENTS

CA 146286 * 7/2012
CA 151300 * 6/2014

OTHER PUBLICATIONS

Two Handle Faucet, announced Date unavailable[online], [site visited Jul. 13, 2020]. Available from internet, URL:<<https://www.deltafaucet.com/kitchen/product/21716LF-OB>> (Year: 2020).*

Two Handle Faucet, announced Date unavailable[online], [site visited Jul. 13, 2020]. Available from internet, URL:<<https://www.deltafaucet.com/kitchen/product/21742LF>> (Year: 2020).*

* cited by examiner

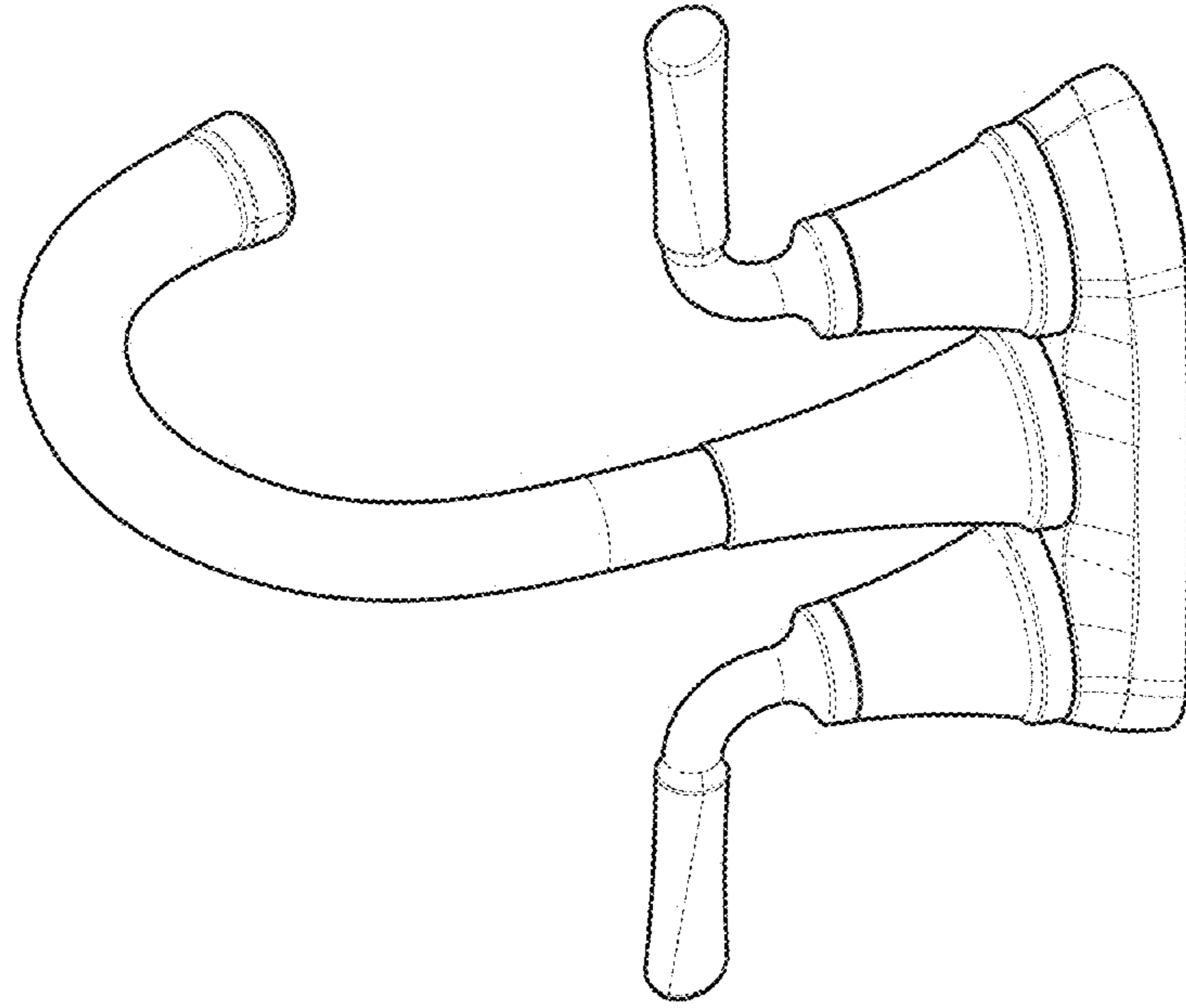


FIG 2

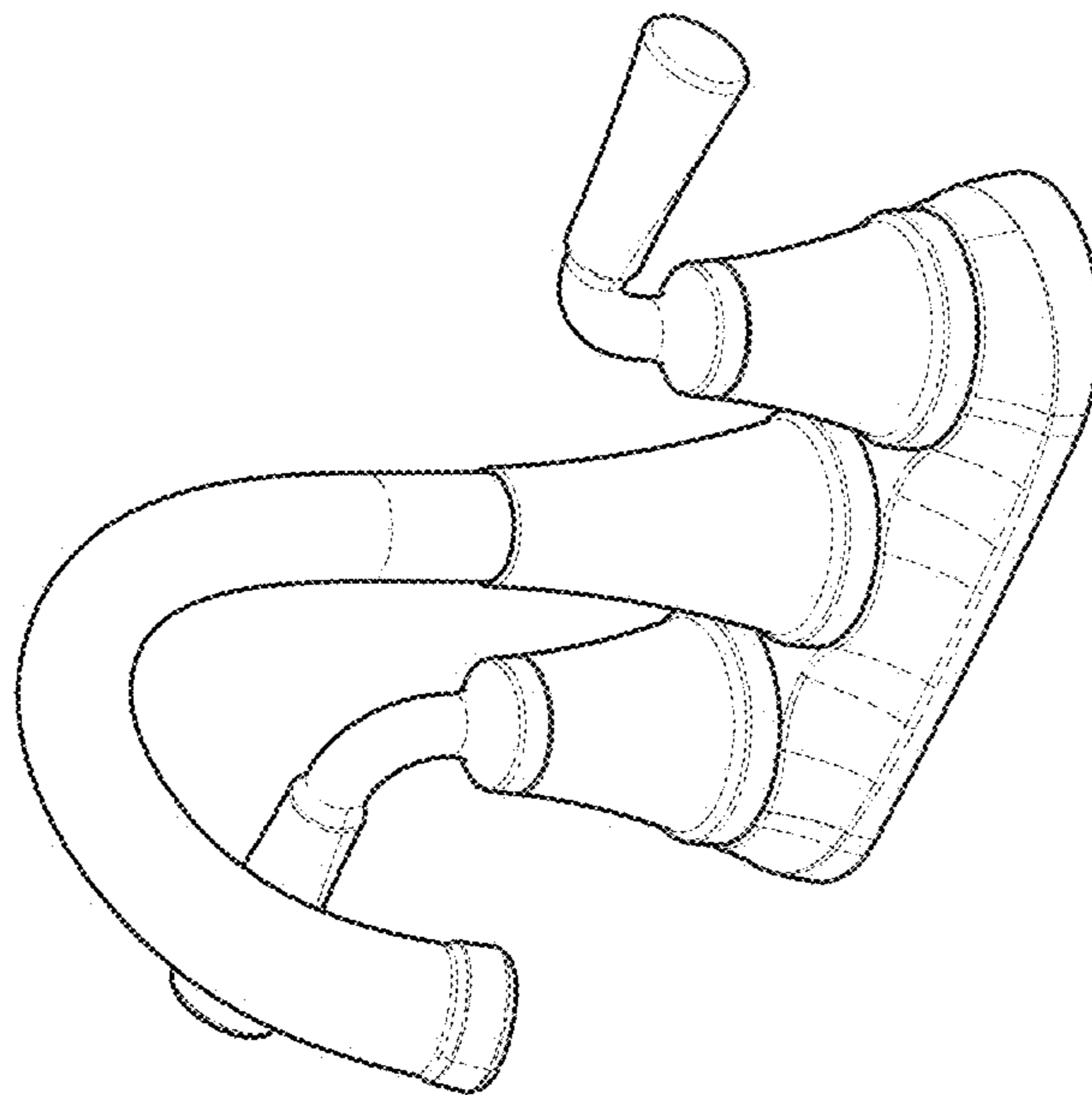


FIG 1

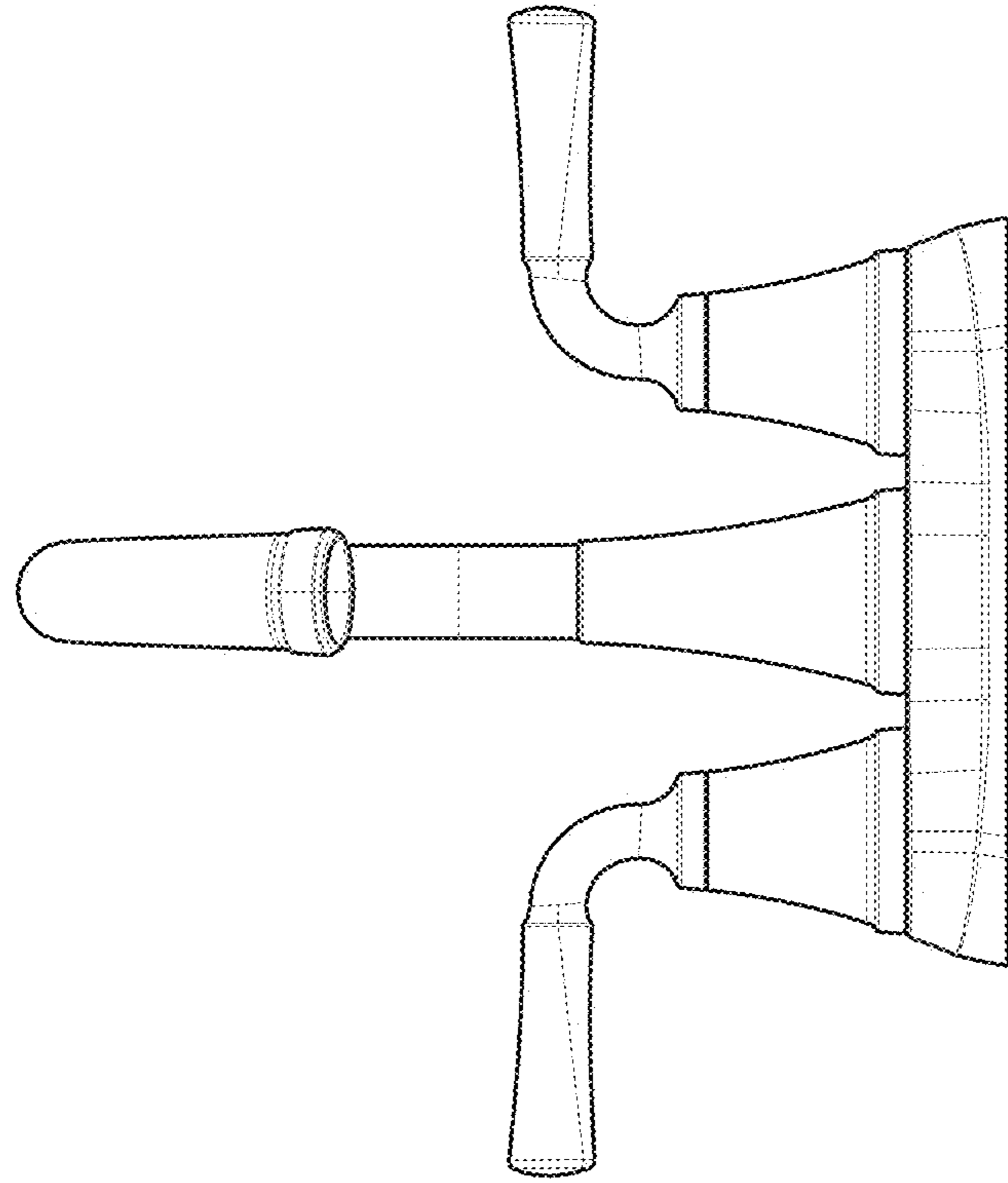


FIG 4

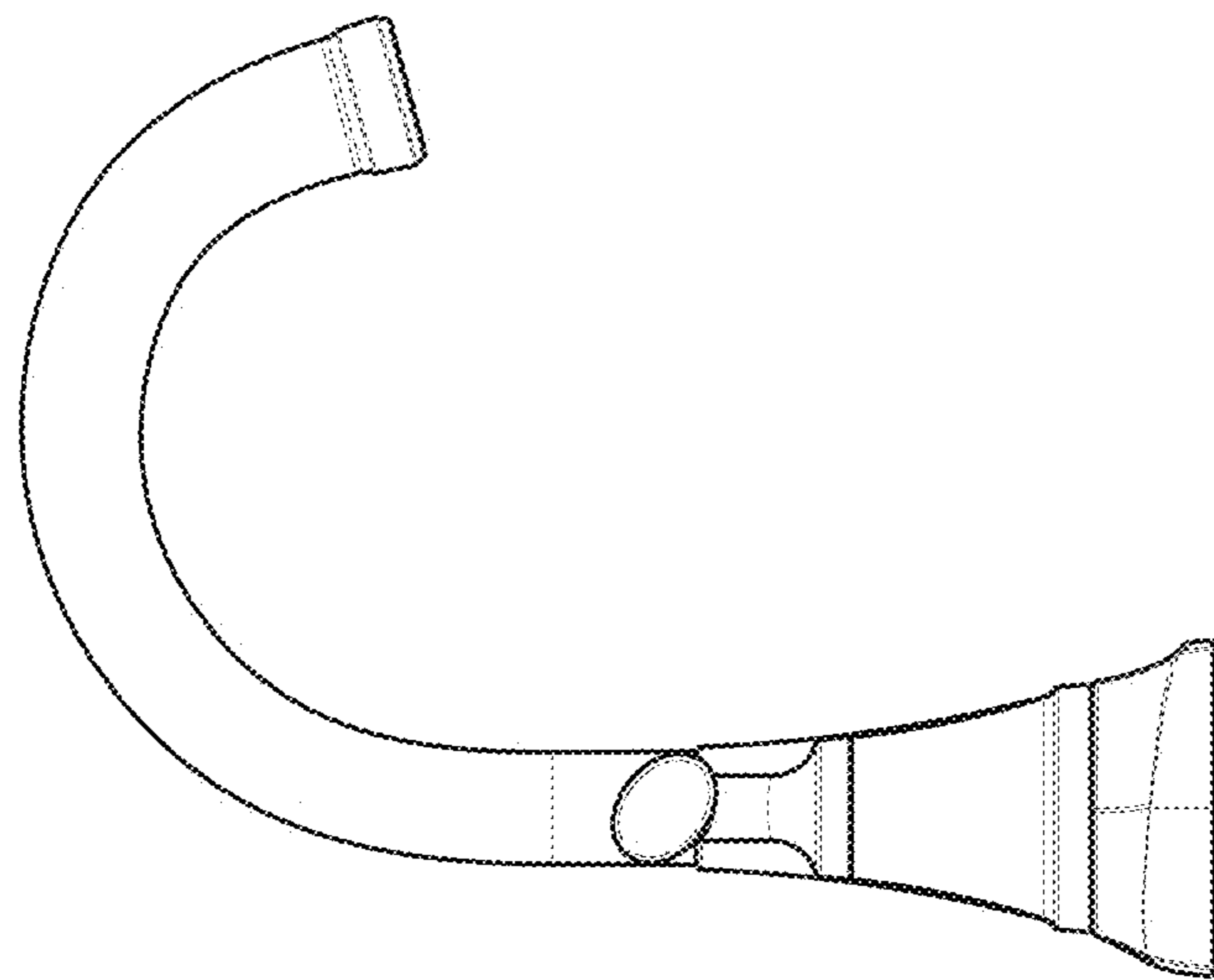


FIG 3

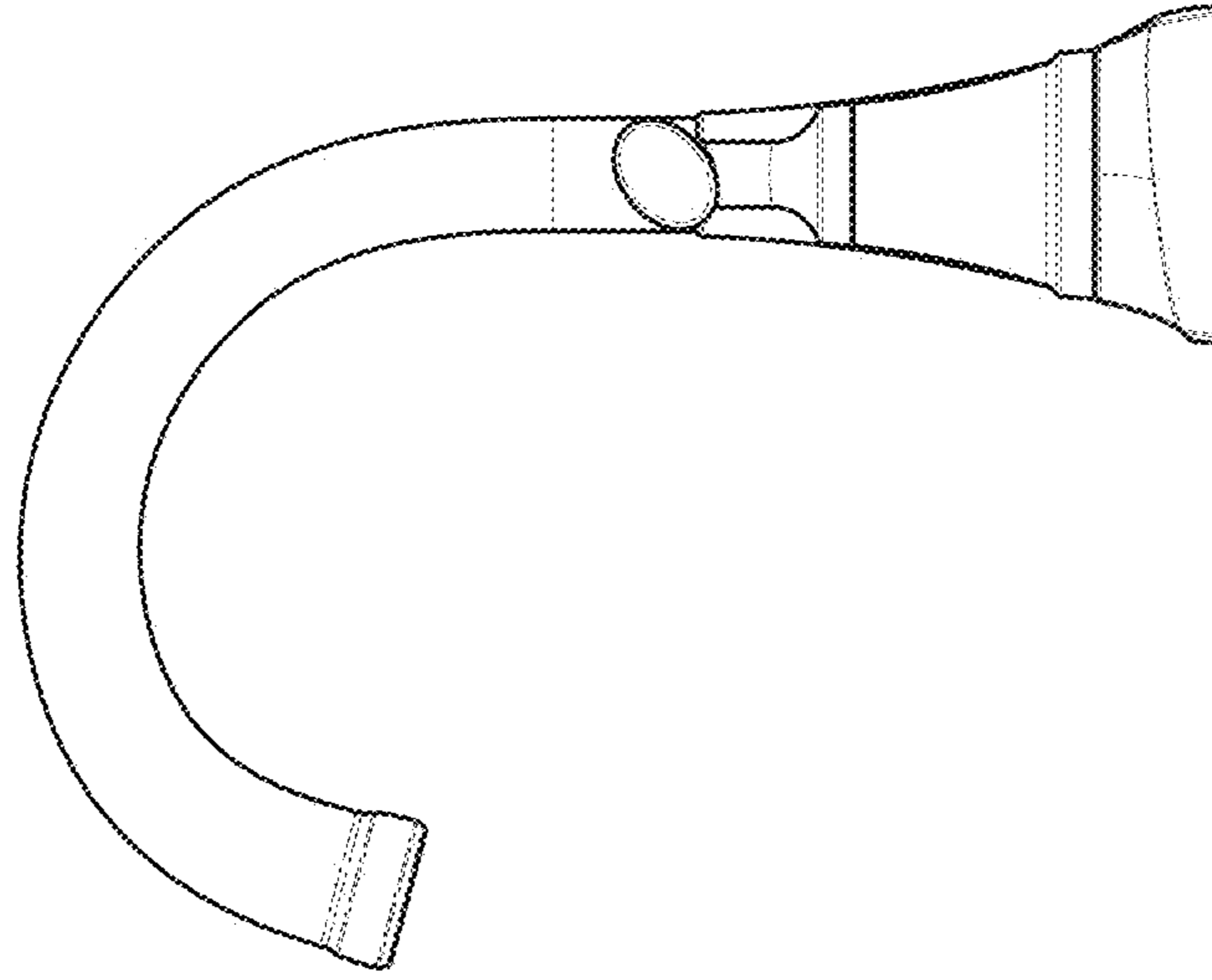


FIG 6

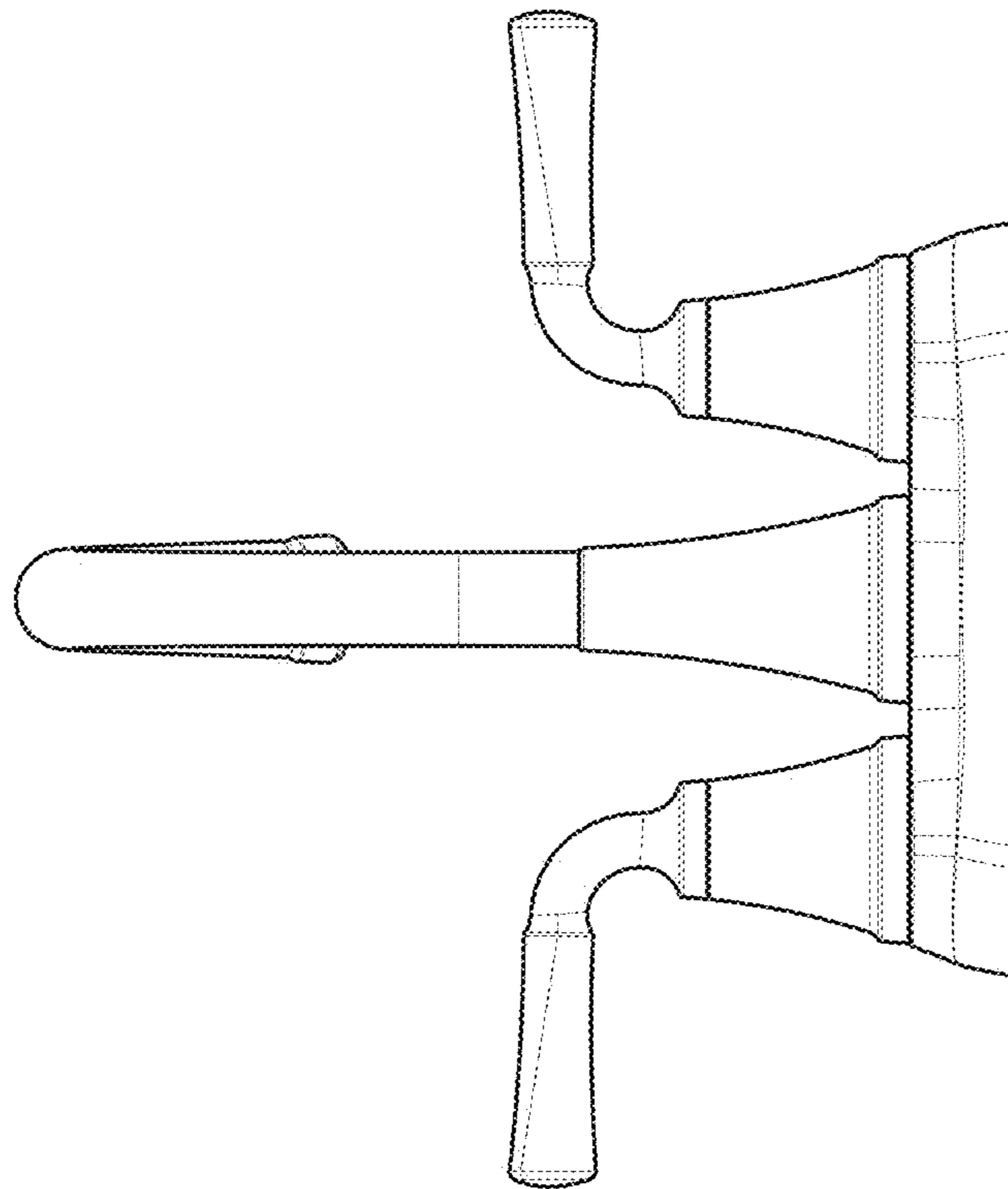


FIG 5

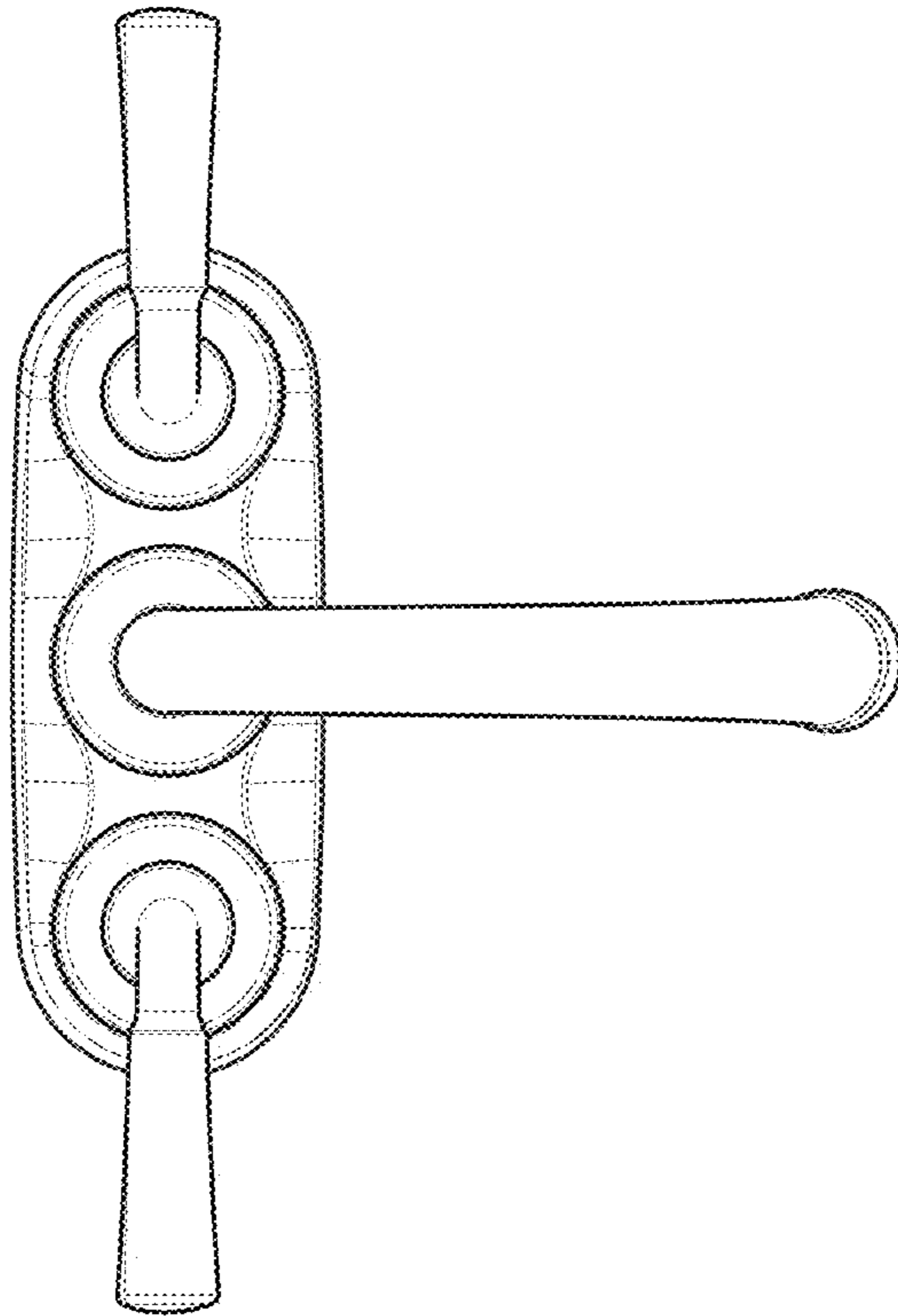


FIG 7