



US00D914847S

(12) **United States Design Patent**
Zhang

(10) **Patent No.:** **US D914,847 S**

(45) **Date of Patent:** **** Mar. 30, 2021**

(54) **FAUCET**

(71) Applicant: **Xinrui Zhang**, Kaiping (CN)

(72) Inventor: **Xinrui Zhang**, Kaiping (CN)

(**) Term: **15 Years**

(21) Appl. No.: **29/748,287**

(22) Filed: **Aug. 28, 2020**

(51) **LOC (13) Cl.** **23-01**

(52) **U.S. Cl.**
USPC **D23/238**

(58) **Field of Classification Search**
USPC D23/238-241, 250, 252, 254-255, 257,
D23/226; D8/307-308

CPC Y10T 137/9464; Y10T 137/6014; Y10T
137/6017

See application file for complete search history.

(56) **References Cited**

U.S. PATENT DOCUMENTS

D479,309 S *	9/2003	Haug	D23/238
D479,579 S *	9/2003	Haug	D23/238
D517,652 S	3/2006	Egli et al.		
D646,354 S	10/2011	Gessi		

D685,878 S	7/2013	Fritz		
D734,433 S	7/2015	Sieger		
D735,298 S *	7/2015	Eads	D23/238
D830,518 S	10/2018	Zeisel et al.		
D857,844 S *	8/2019	Levi	D23/238
D863,506 S *	10/2019	Hayner	D23/238
D882,735 S *	4/2020	Seum	D23/238

* cited by examiner

Primary Examiner — Robert A Delehanty

(74) *Attorney, Agent, or Firm* — Rumit Ranjit Kanakia

(57) **CLAIM**

I claim the ornamental design for a faucet, as shown and described.

DESCRIPTION

FIG. 1 is a Perspective view of a faucet showing my new design;

FIG. 2 is other perspective view thereof;

FIG. 3 is a Front view thereof;

FIG. 4 is a Back view thereof;

FIG. 5 is a Right-side view thereof;

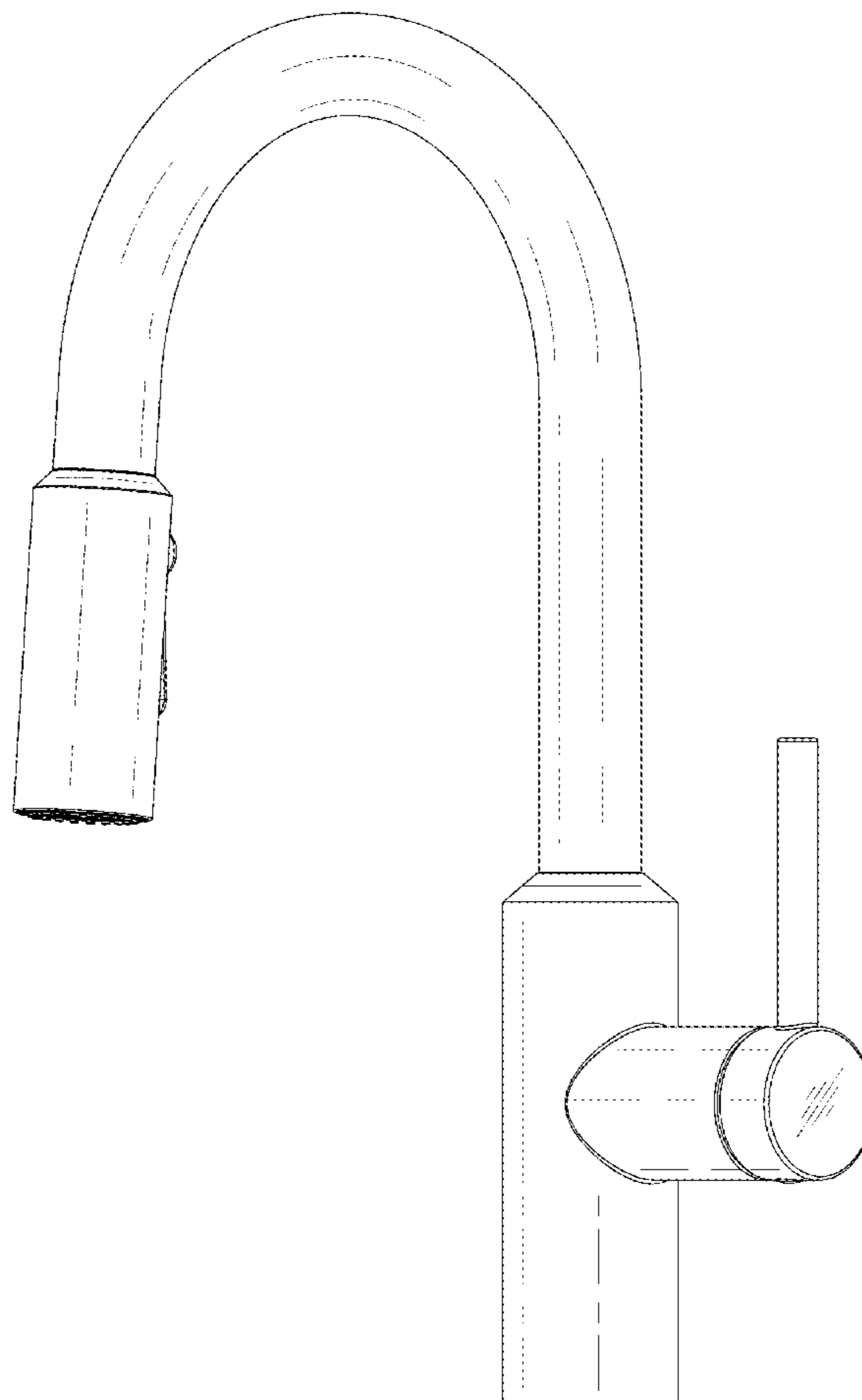
FIG. 6 is a Left-side view thereof;

FIG. 7 is a Top view thereof; and,

FIG. 8 is a Bottom view thereof.

The broken lines are for the purpose of illustrating portions of the article that form no part of the claim.

1 Claim, 8 Drawing Sheets



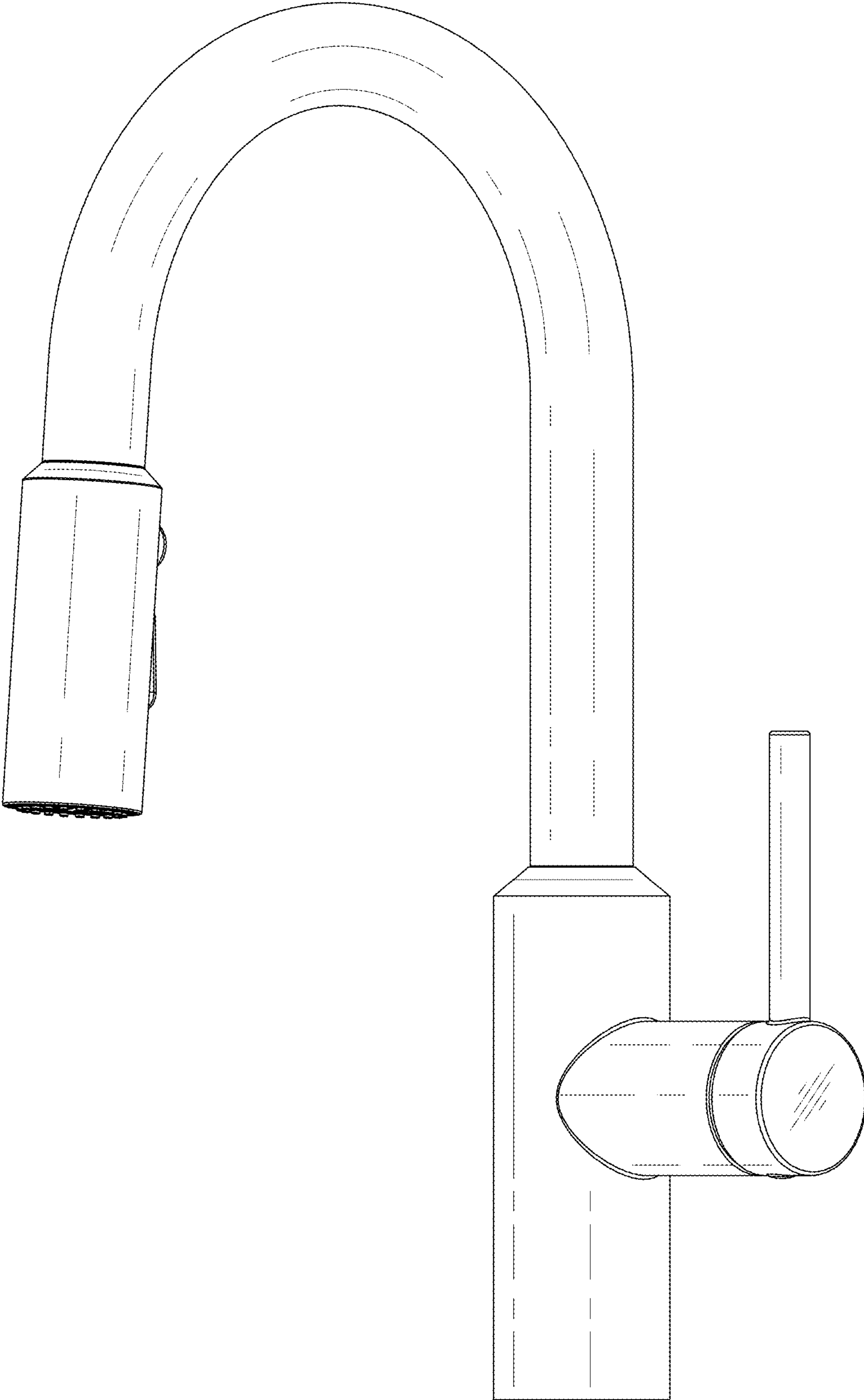


FIG. 1

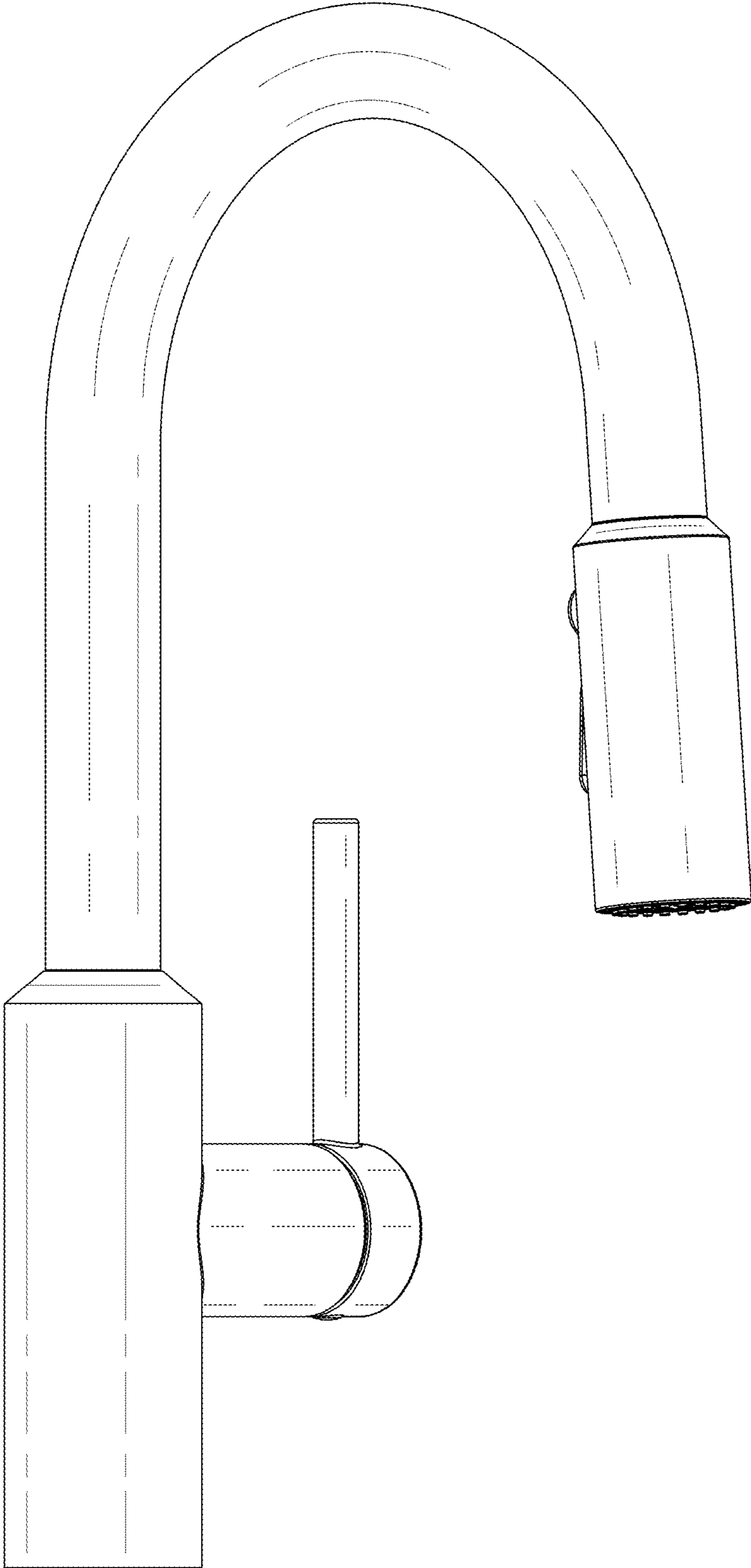


FIG. 2

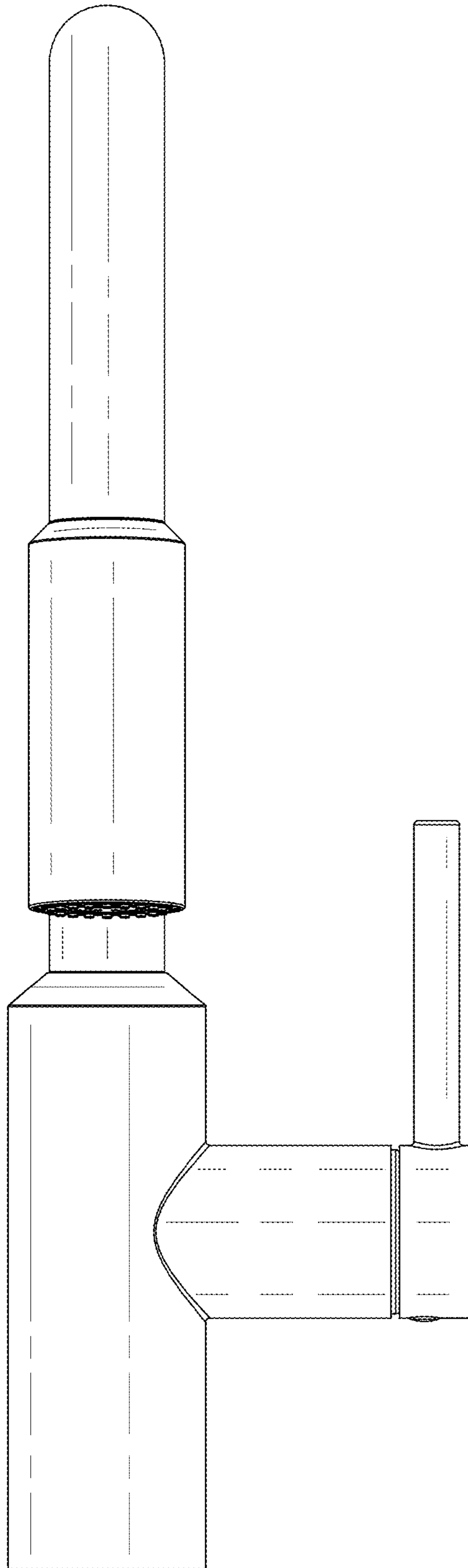


FIG. 3

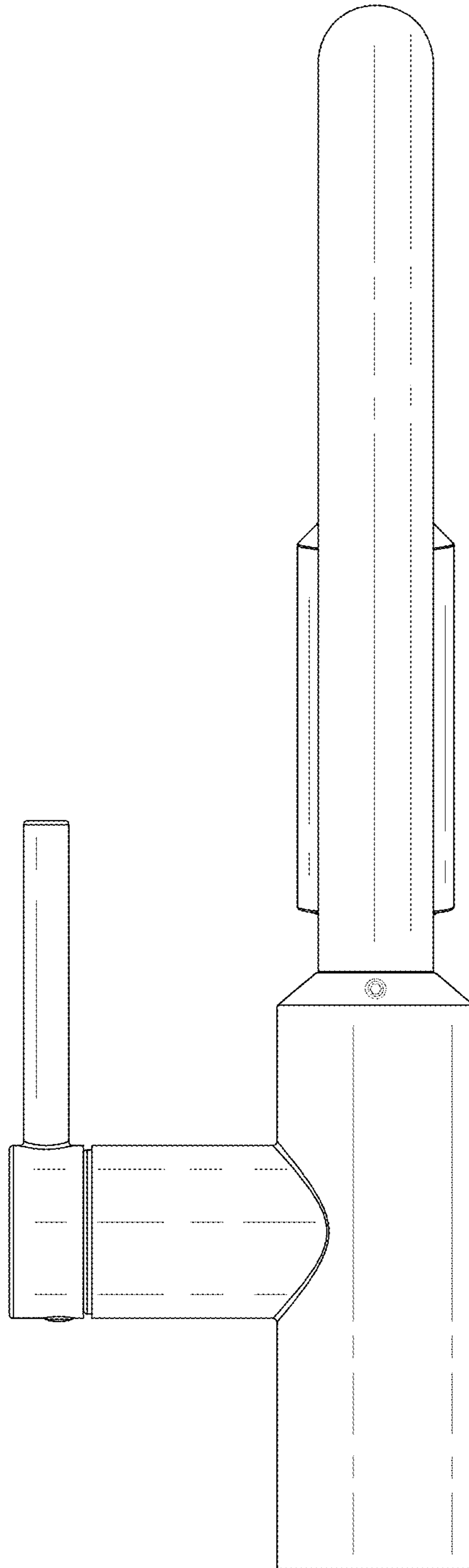


FIG. 4

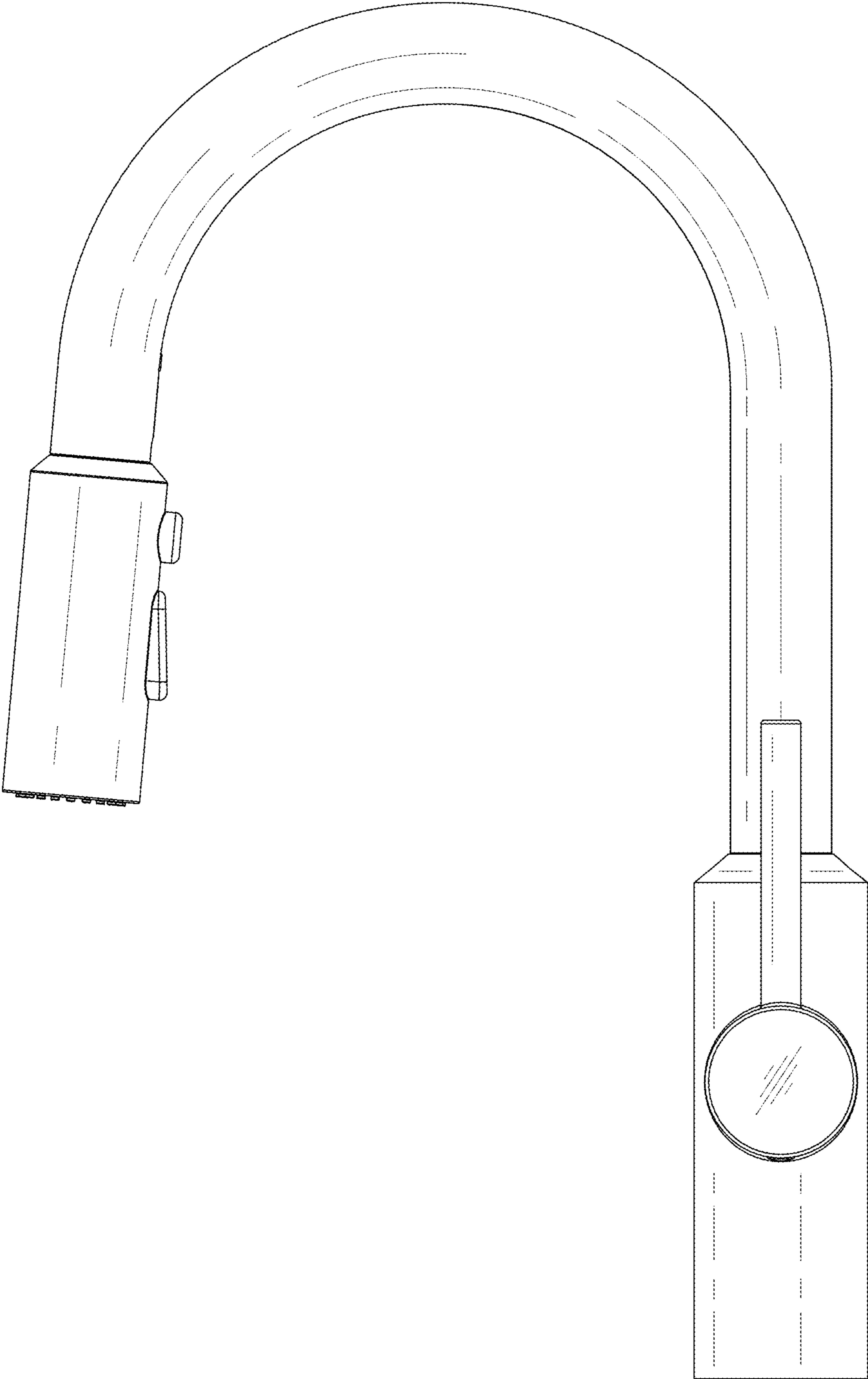


FIG. 5

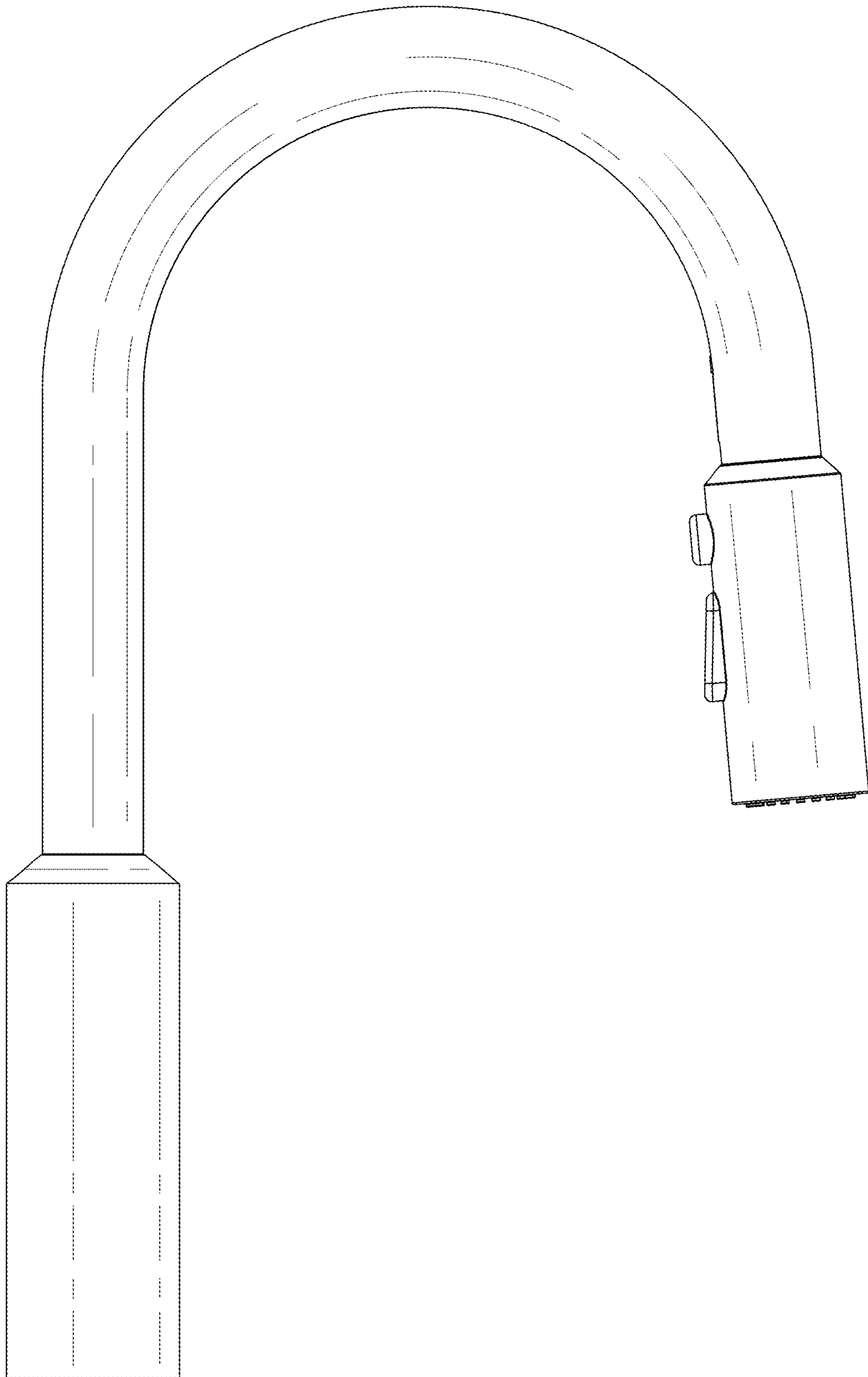


FIG. 6

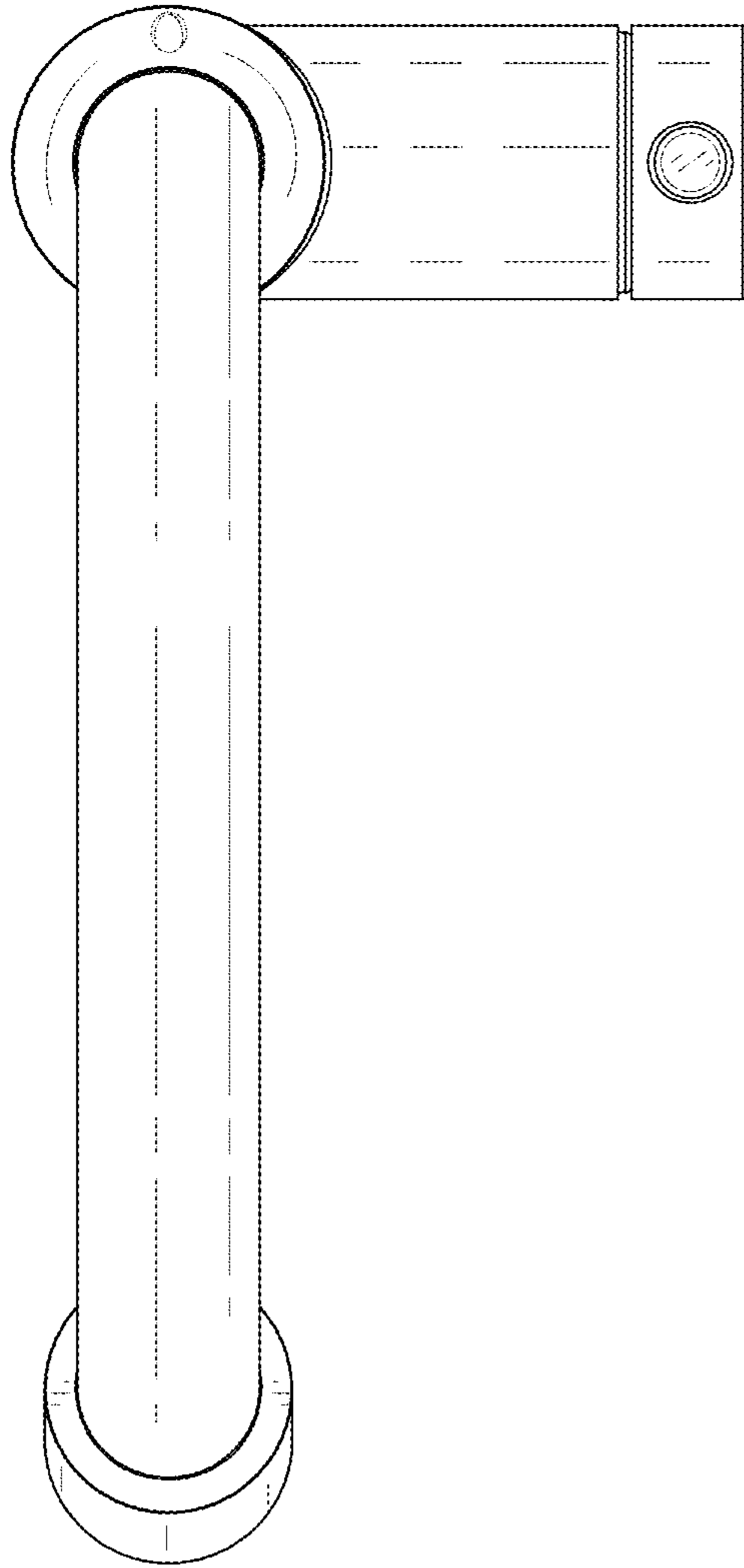


FIG. 7

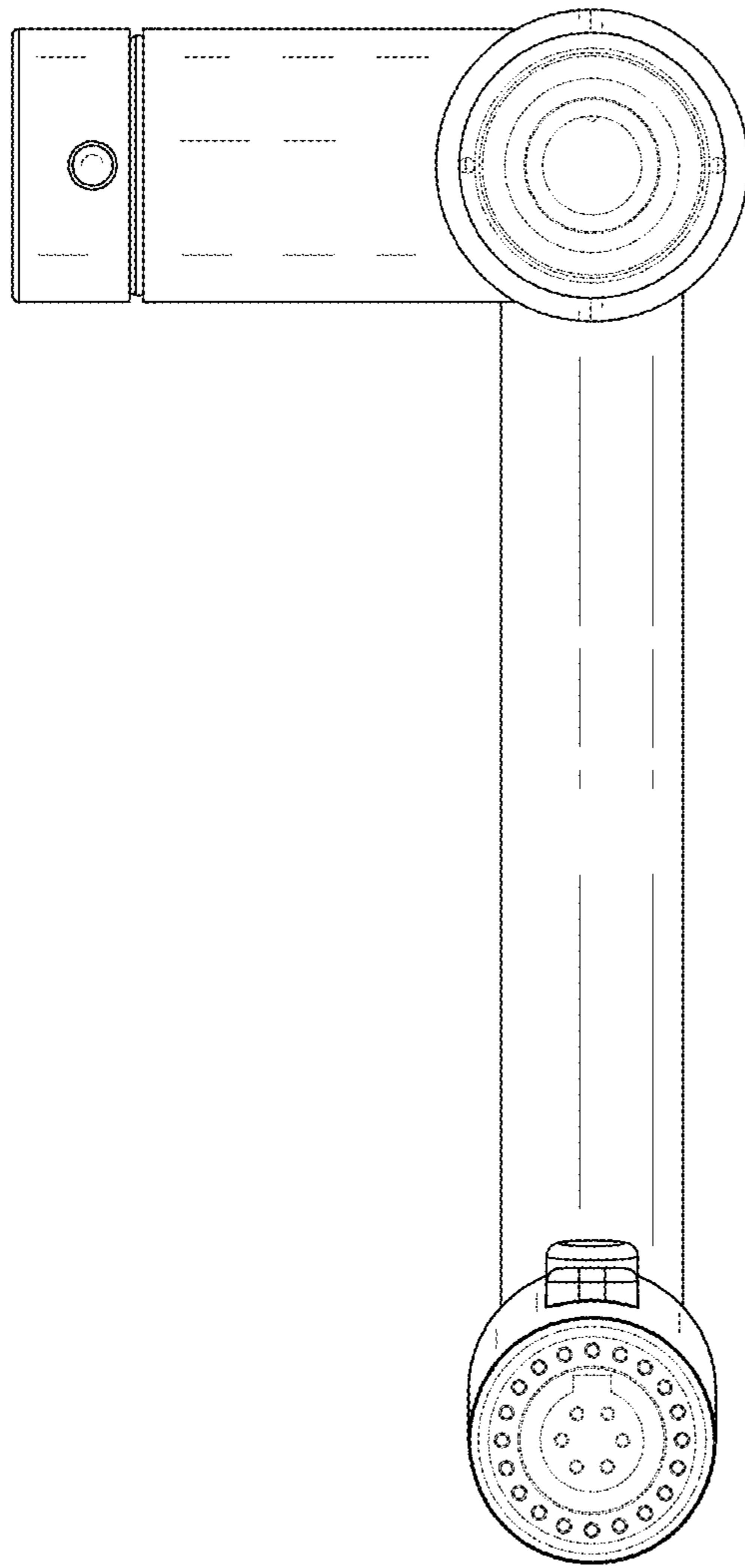


FIG. 8