



US00D914845S

(12) **United States Design Patent** (10) **Patent No.:** **US D914,845 S**
Garland (45) **Date of Patent:** **** Mar. 30, 2021**

(54) **FAUCET**
(71) Applicant: **DELTA FAUCET COMPANY,**
Indianapolis, IN (US)
(72) Inventor: **Celine Kwok Garland,** Zionsville, IN
(US)
(73) Assignee: **DELTA FAUCET COMPANY,**
Indianapolis, IN (US)
(**) Term: **15 Years**
(21) Appl. No.: **29/687,236**
(22) Filed: **Apr. 11, 2019**
(51) **LOC (13) Cl.** **23-01**
(52) **U.S. Cl.**
USPC **D23/238**
(58) **Field of Classification Search**
USPC D23/238-244, 252, 254, 255, 257;
D8/307-308
CPC F16K 31/602; F16K 31/605; F16K 31/607;
E03C 1/0412
See application file for complete search history.

(56) **References Cited**

U.S. PATENT DOCUMENTS

D409,726 S * 5/1999 Formgren D23/238
D471,254 S * 3/2003 Bonnell D23/238
D551,323 S * 9/2007 Krumpe D23/238
D566,817 S * 4/2008 Isaacs D23/255
D569,950 S * 5/2008 Williams D23/238
D572,798 S * 7/2008 Bickler D23/238
D578,613 S * 10/2008 Williams D23/238
D580,014 S * 11/2008 Citterio D23/238
D609,308 S * 2/2010 Fritz D23/238
D620,559 S * 7/2010 Romero D23/238
D644,301 S * 8/2011 Flowers D23/238
D654,568 S * 2/2012 Yu D23/238

D655,394 S * 3/2012 Obara D23/238
D655,395 S * 3/2012 Obara D23/238
D700,956 S * 3/2014 Schoenherr D23/238
D752,717 S * 3/2016 Eads D23/238
D759,204 S * 6/2016 Garland D23/238
D760,355 S * 6/2016 Citterio D23/238

(Continued)

FOREIGN PATENT DOCUMENTS

CA 135612 * 5/2010
CA 147601 * 10/2012

(Continued)

OTHER PUBLICATIONS

Vessel Bathroom Faucet, announced Date unavailable [online], [site visited Jul. 22, 2020]. Available from internet, URL:< https://www.deltafaucet.com/bathroom/product/748LF-KS> (Year: 2020).*

(Continued)

Primary Examiner — Barbara Fox
Assistant Examiner — Jamaal Rasheed
(74) *Attorney, Agent, or Firm* — Nirav D. Parikh; Edgar A. Zarins

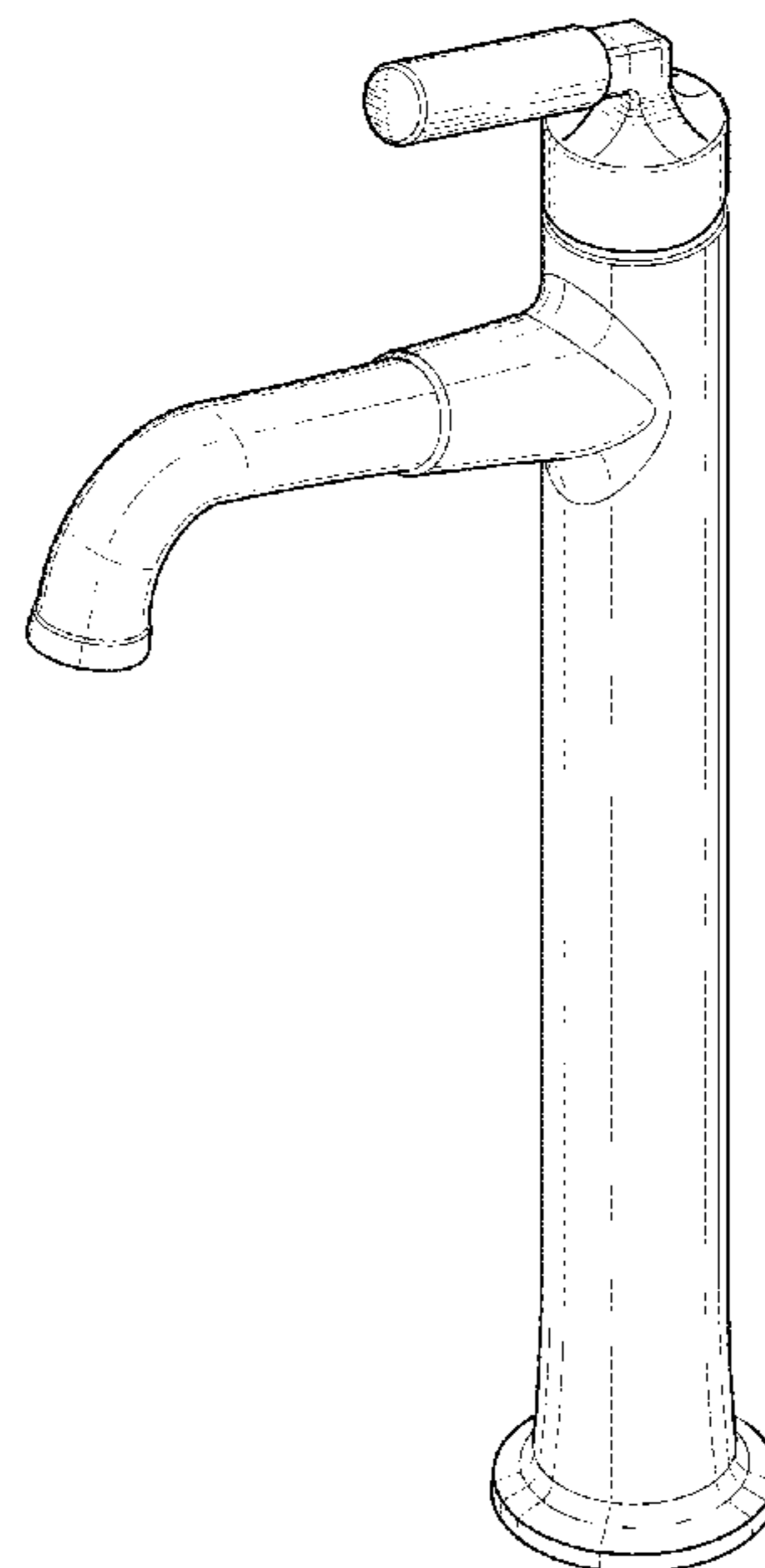
(57) **CLAIM**

The ornamental design for a faucet, as shown and described.

DESCRIPTION

FIG. 1 is a front perspective view of a faucet showing my new design;
FIG. 2 is a rear view thereof;
FIG. 3 is a front elevational view thereof;
FIG. 4 is a left side view thereof;
FIG. 5 is a top plan view thereof; and,
FIG. 6 is a bottom view thereof.
The broken-line disclosure in the view represents a portion of the faucet in which the claimed design is embodied, but which forms no part of the claimed design.

1 Claim, 3 Drawing Sheets



(56)

References Cited

U.S. PATENT DOCUMENTS

D762,820 S * 8/2016 Schoenherr D23/238
D773,613 S * 12/2016 Flowers D23/238
9,611,945 B2 * 4/2017 Kemp F16K 31/605
D840,506 S * 2/2019 Garland D23/238
D840,507 S * 2/2019 Garland D23/238
D841,129 S * 2/2019 Garland D23/238
D870,242 S * 12/2019 Eads D23/238
D874,614 S * 2/2020 Lazarini D23/238

FOREIGN PATENT DOCUMENTS

CA 181171 * 5/2018
CN 3370343 * 11/2003

OTHER PUBLICATIONS

Single Handle Faucet, announced Date unavailable [online], [site visited Jul. 22, 2020]. Available from internet, URL:< <https://www.deltafaucet.com/bathroom/product/556-BLMPU-LHP-DST--H561BL>> (Year: 2020).*

One Handle Faucet, announced May 29, 2009[online], [site visited Jul. 22, 2020]. Available from internet, URL:< <https://www.amazon.com/Moen-66600-Brantford-One-Handle-Bathroom/dp/B002C67QRK>> (Year: 2009).*

* cited by examiner

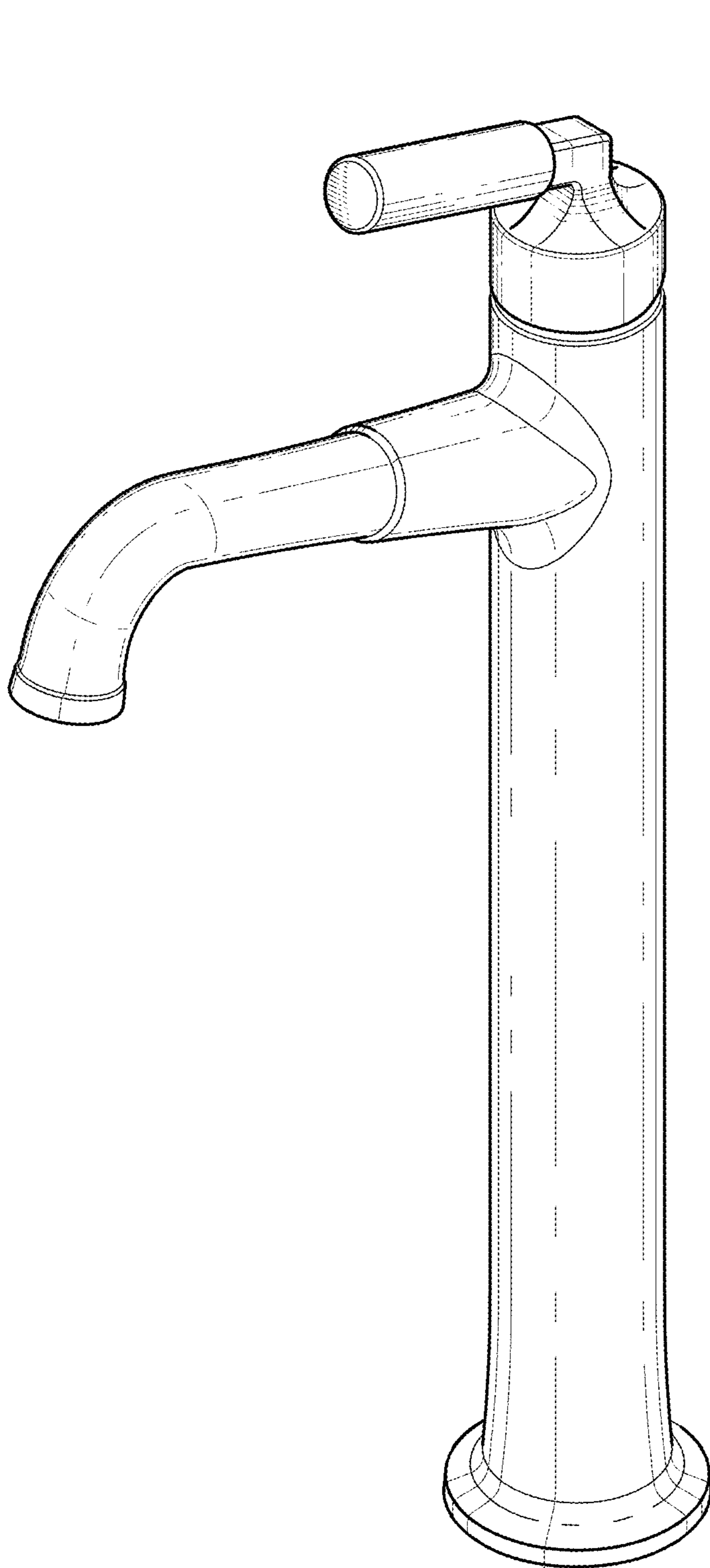


Fig-1

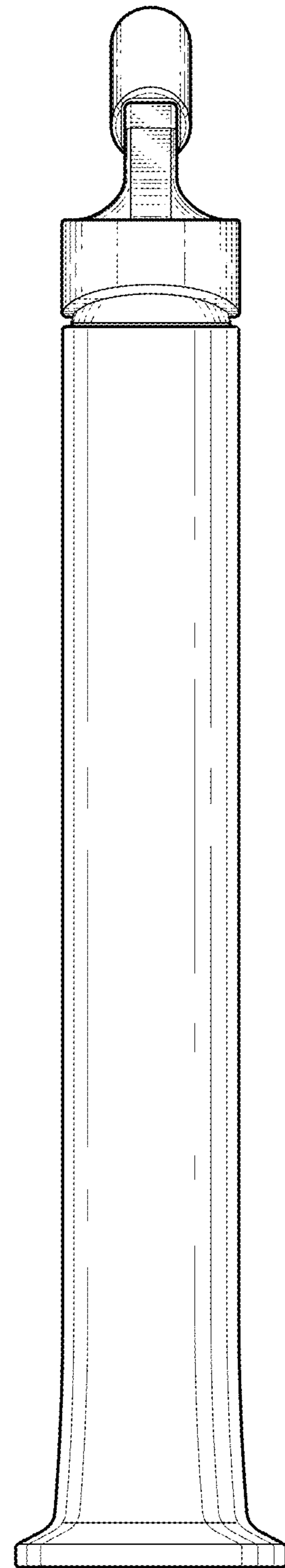


Fig-2

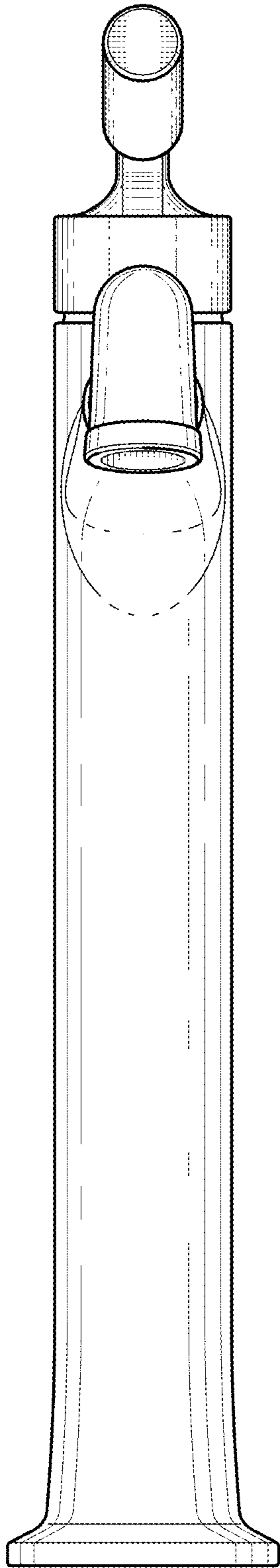


Fig-3

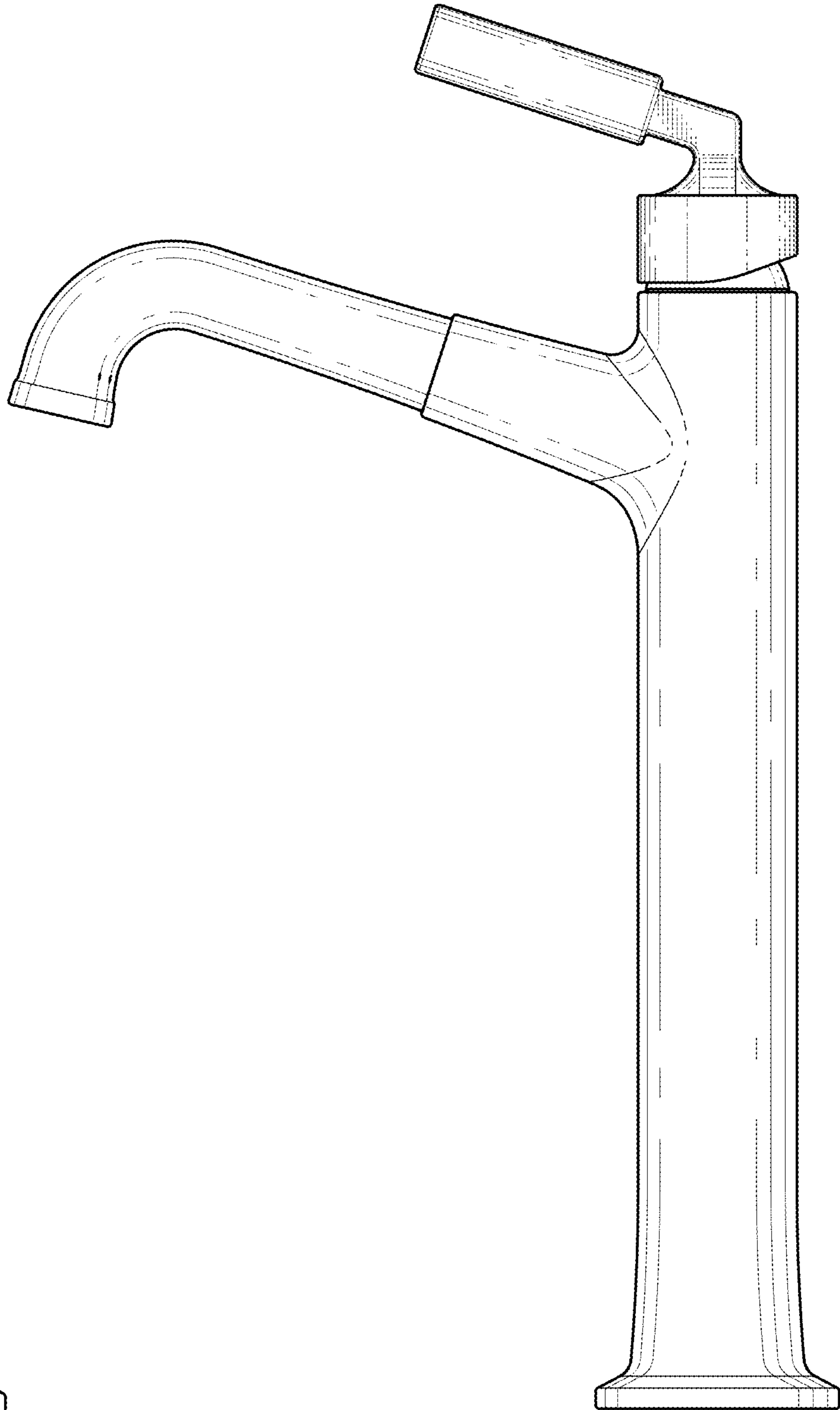


Fig-4

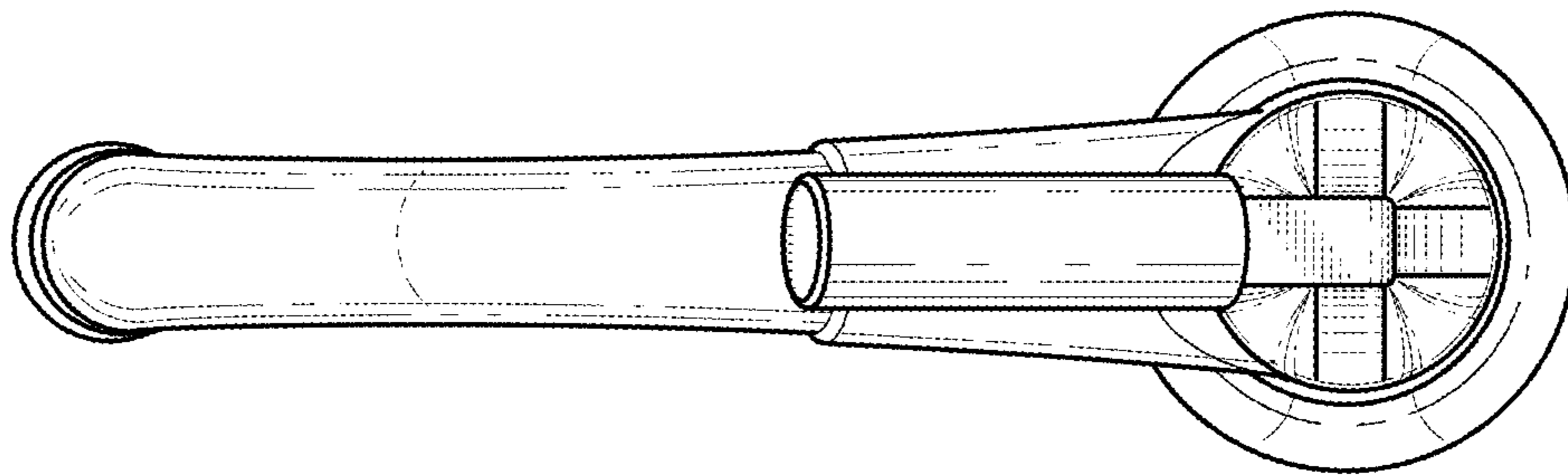


Fig-5

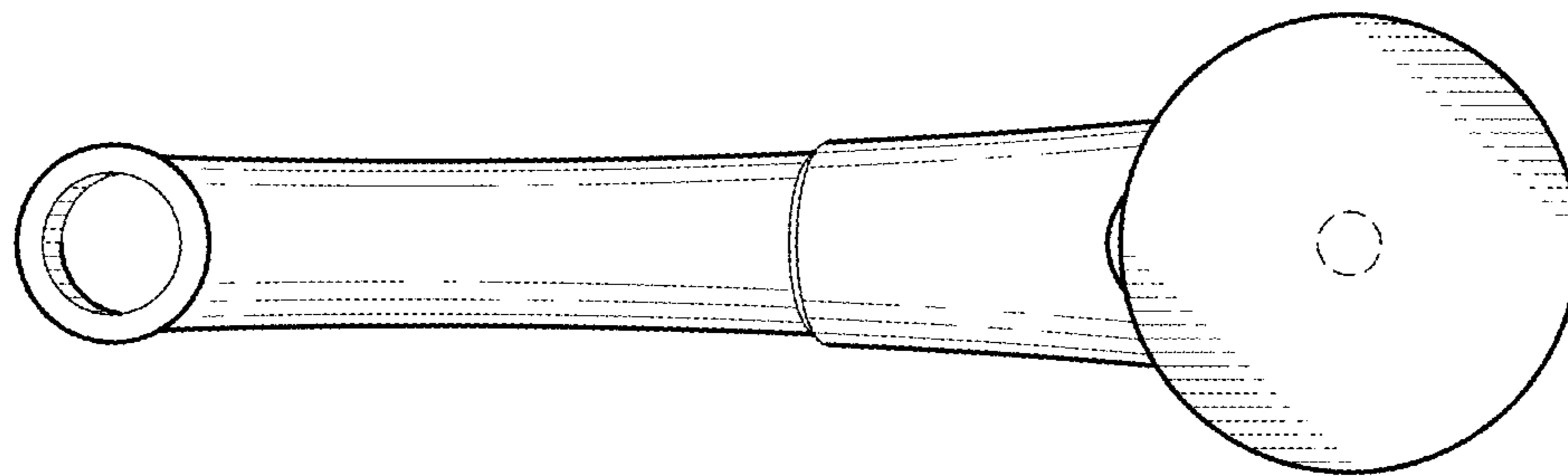


Fig-6