



US00D914843S

(12) **United States Design Patent**
Zhang

(10) **Patent No.:** **US D914,843 S**

(45) **Date of Patent:** **** Mar. 30, 2021**

- (54) **FAUCET SPRAY HEAD**
- (71) Applicant: **Xinrui Zhang**, Kaiping (CN)
- (72) Inventor: **Xinrui Zhang**, Kaiping (CN)
- (**) Term: **15 Years**
- (21) Appl. No.: **29/749,139**
- (22) Filed: **Sep. 3, 2020**
- (51) **LOC (13) Cl.** **23-01**
- (52) **U.S. Cl.**
USPC **D23/226**
- (58) **Field of Classification Search**
USPC D23/213, 223, 226, 238-241, 245, 257
CPC Y10T 137/9464; Y10T 137/6014; Y10T
137/6017
See application file for complete search history.

- D734,433 S 7/2015 Sieger
- D807,476 S * 1/2018 Haug D23/238
- D830,518 S 10/2018 Zeisel et al.
- D857,844 S * 8/2019 Levi D23/238
- D863,505 S * 10/2019 Zeng D23/238
- D869,610 S * 12/2019 Garland D23/238
- D889,600 S * 7/2020 Zhang D23/213
- D905,204 S * 12/2020 Zhang D23/238

* cited by examiner

Primary Examiner — Robert A Delehanty
(74) *Attorney, Agent, or Firm* — Rumi Ranjit Kanakia

(57) **CLAIM**

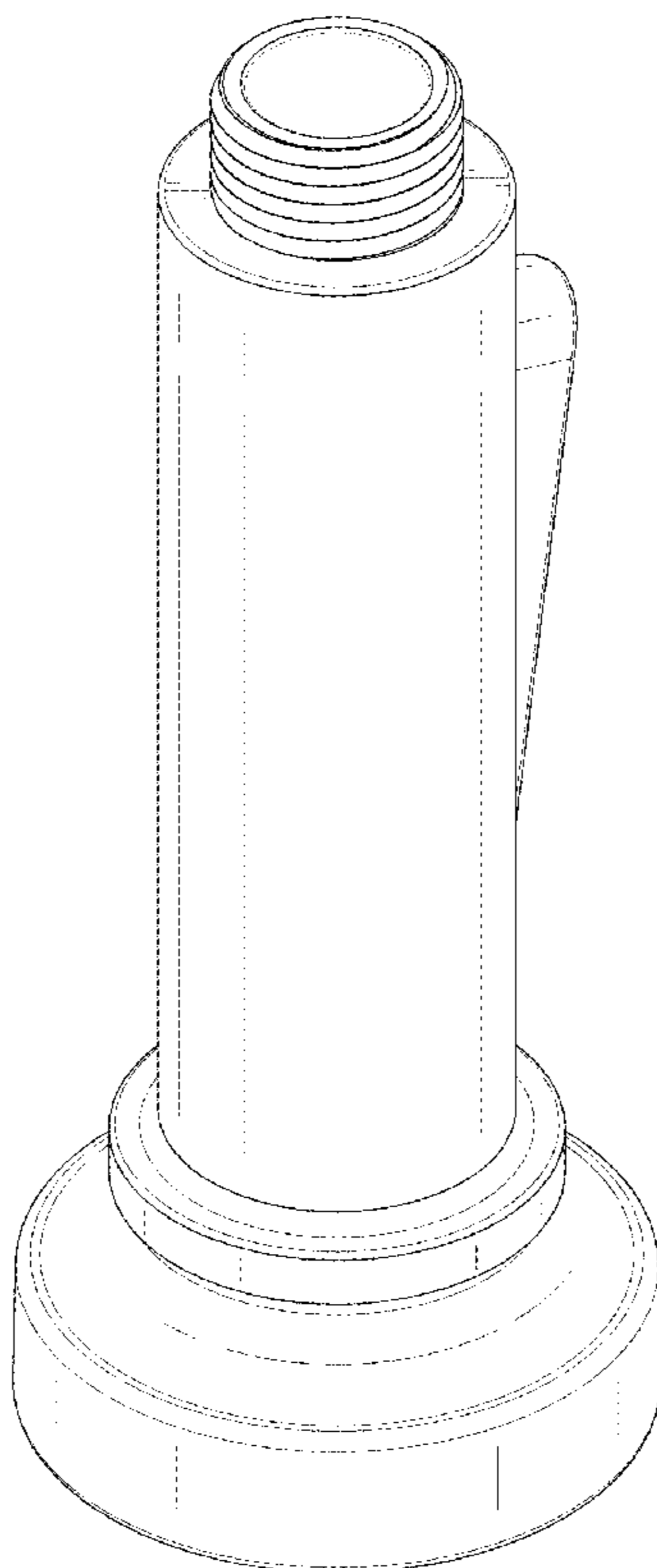
I claim the ornamental design for a faucet spray head, as shown and described.

DESCRIPTION

FIG. 1 is a Perspective view of a faucet spray head showing my new design;
FIG. 2 is other perspective view thereof;
FIG. 3 is a Front view thereof;
FIG. 4 is a Back view thereof;
FIG. 5 is a Right-side view thereof;
FIG. 6 is a Left-side view thereof;
FIG. 7 is a Top view thereof; and,
FIG. 8 is a Bottom view thereof.
The broken lines are for the purpose of illustrating portions of the article that form no part of the claim.

- (56) **References Cited**
U.S. PATENT DOCUMENTS
- D479,309 S * 9/2003 Haug D23/238
- D513,526 S * 1/2006 Marshall D23/238
- D517,652 S 3/2006 Egli et al.
- D520,114 S * 5/2006 Starck D23/238
- D589,594 S * 3/2009 Lammel D23/238
- D646,354 S 10/2011 Gessi
- 8,413,686 B2 * 4/2013 Ko E03C 1/0404
137/801
- D685,878 S 7/2013 Fritz
- 8,869,821 B2 * 10/2014 Laera E03C 1/0404
137/357

1 Claim, 8 Drawing Sheets



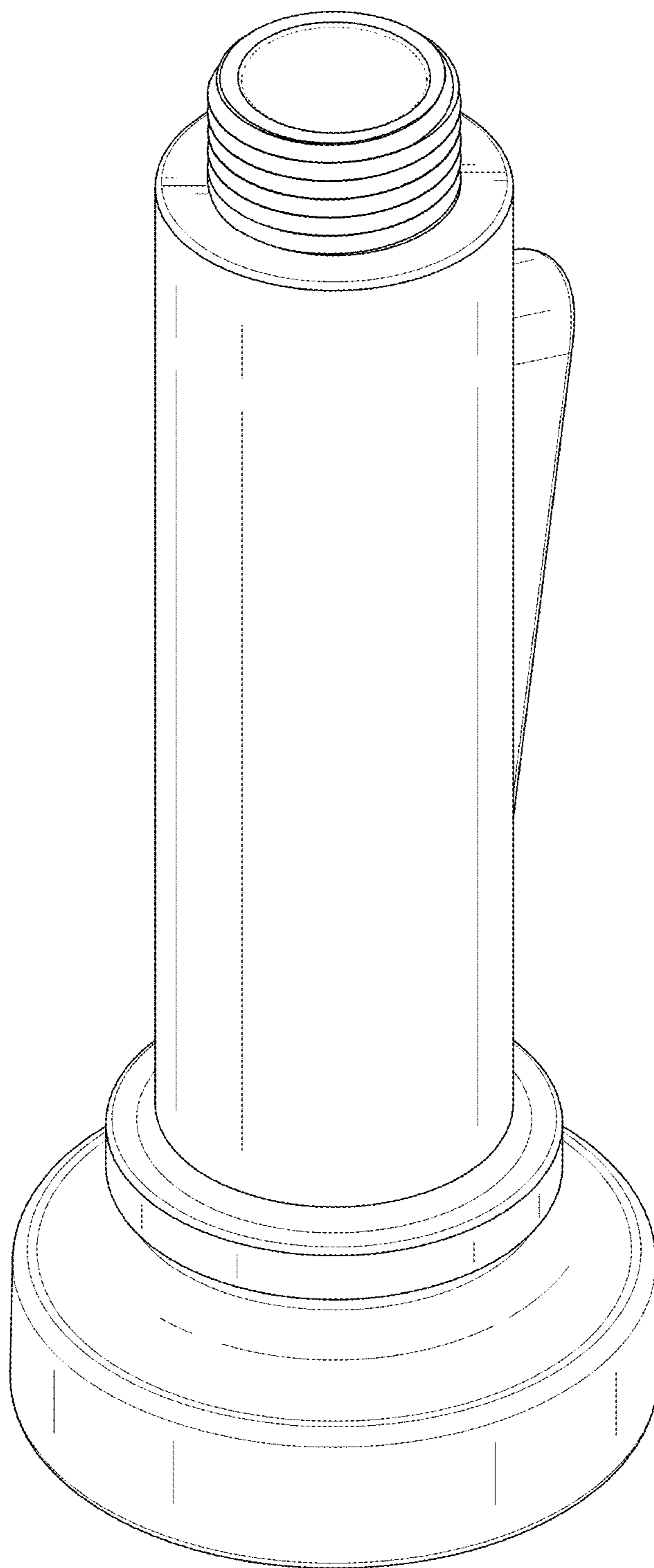


FIG. 1

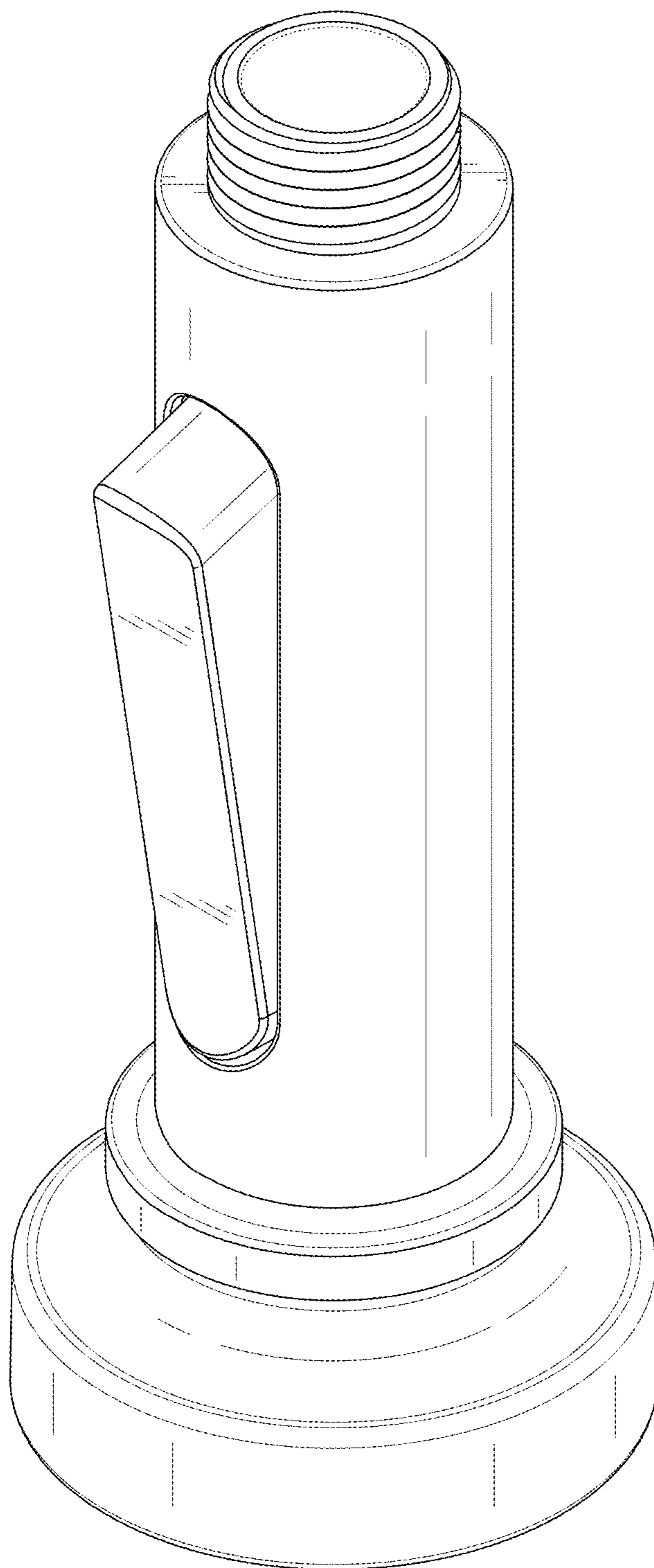


FIG. 2

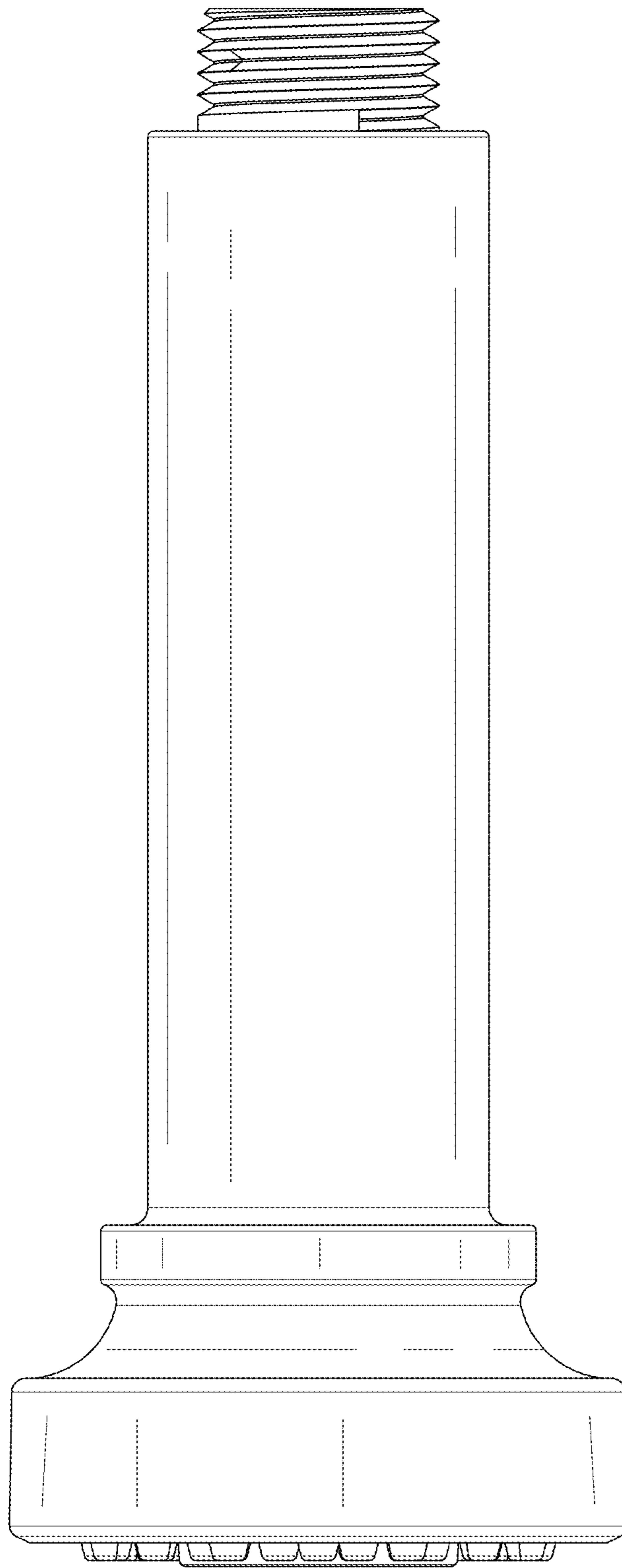


FIG. 3

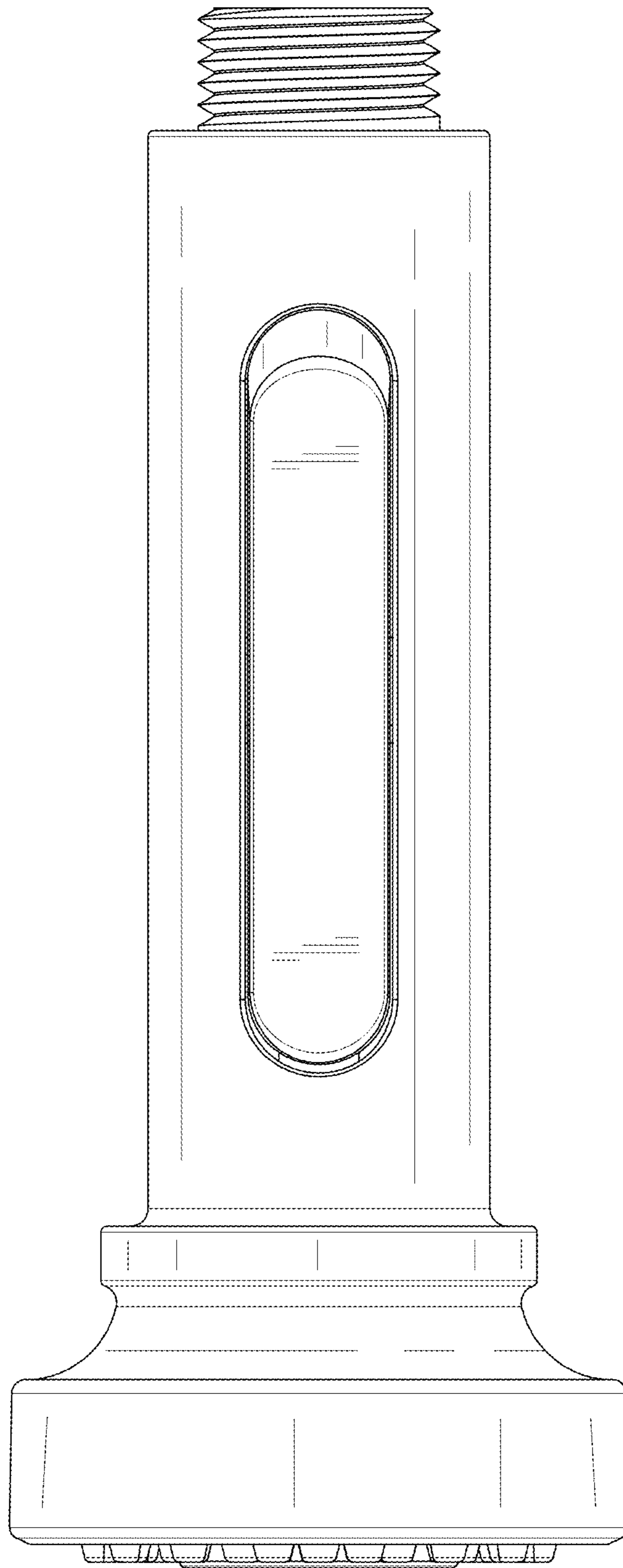


FIG. 4

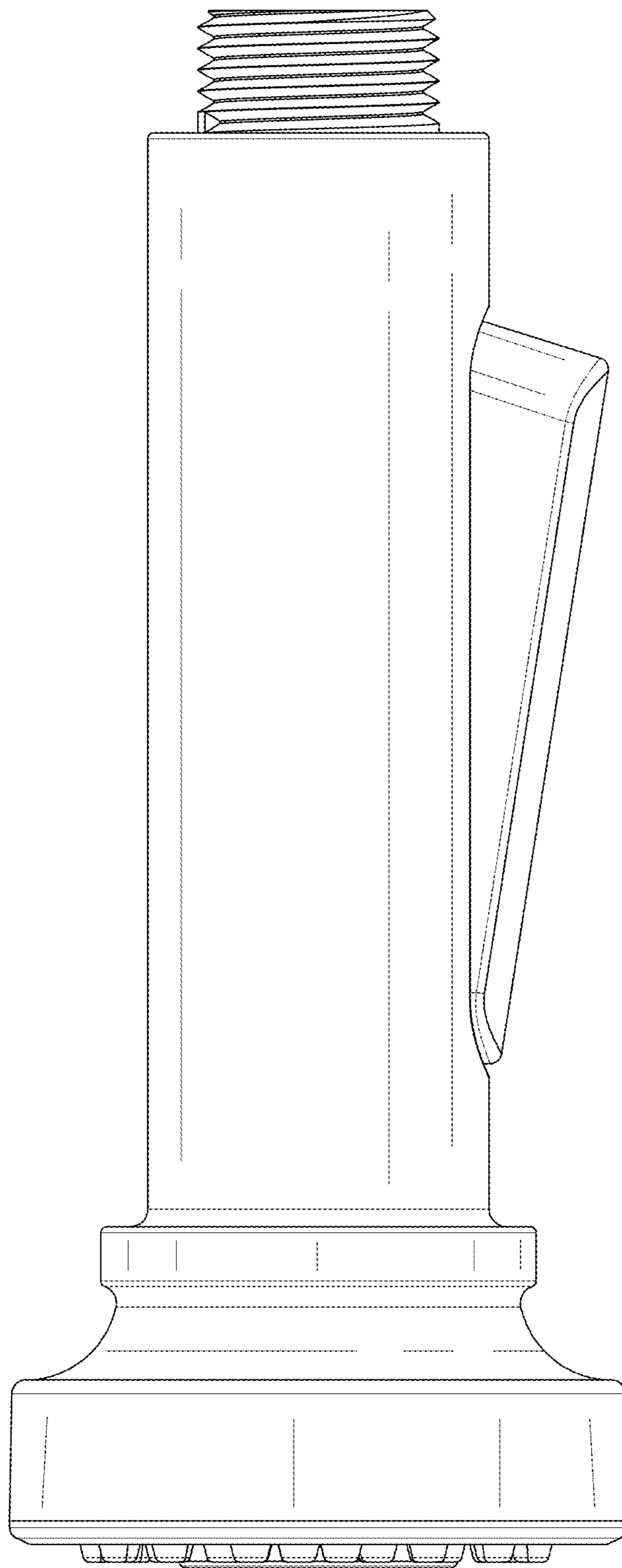


FIG. 5

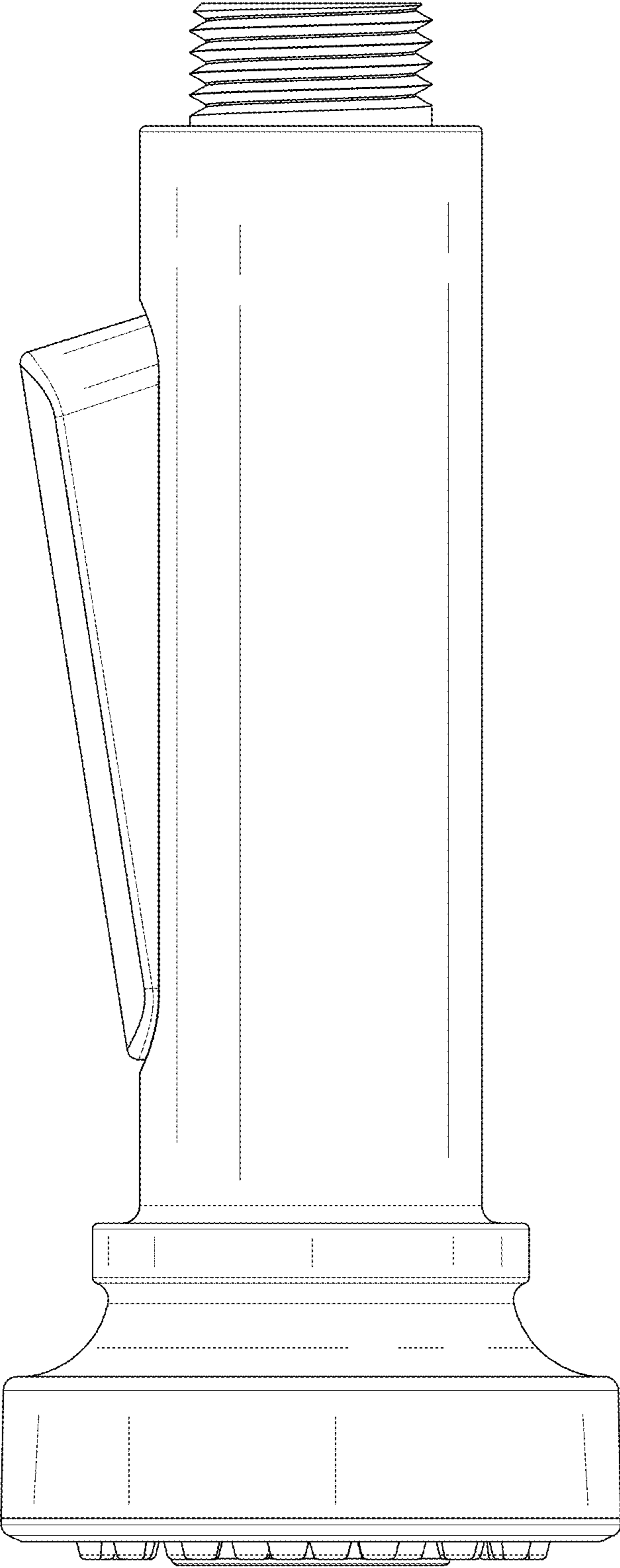


FIG. 6

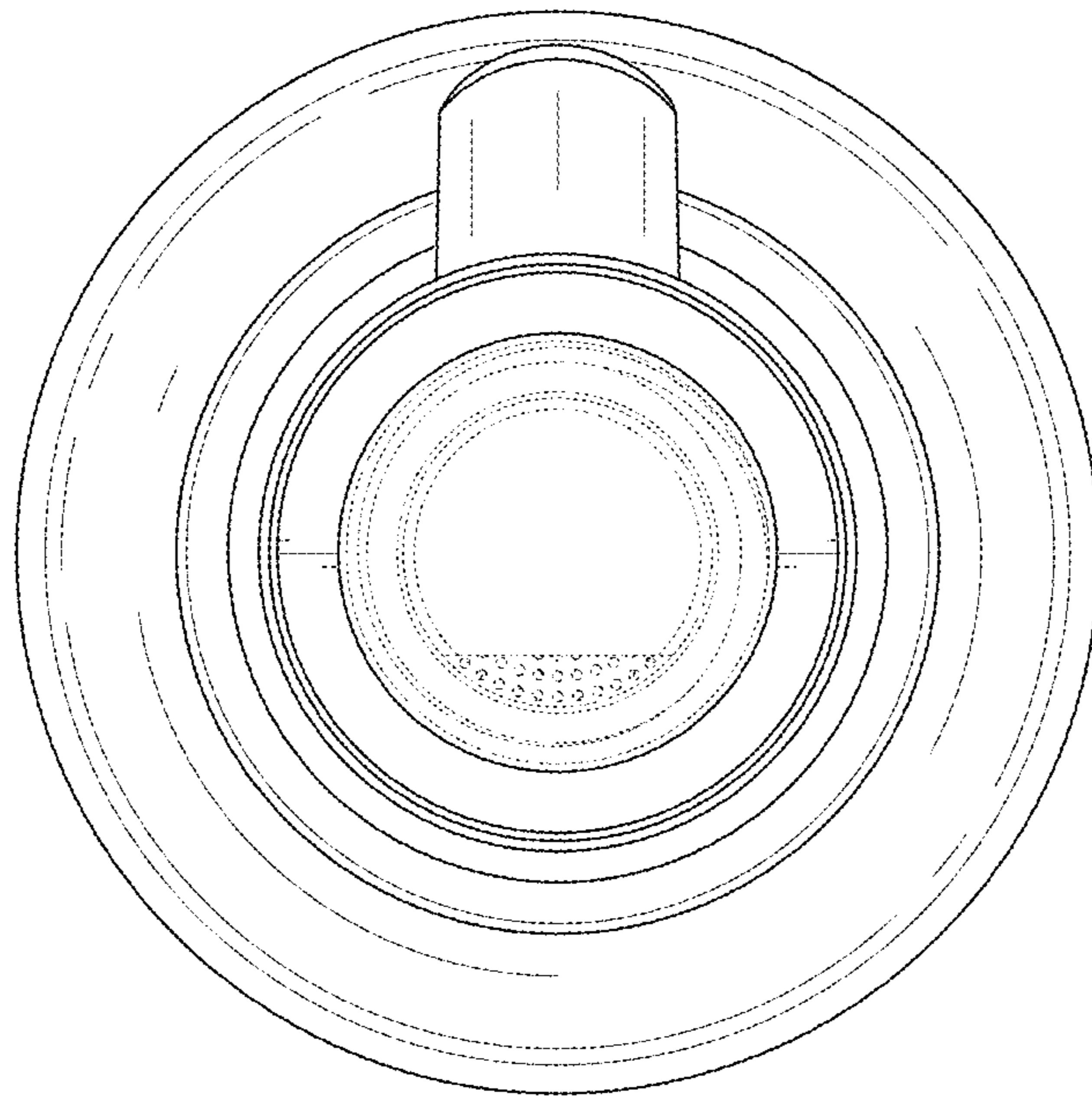


FIG. 7

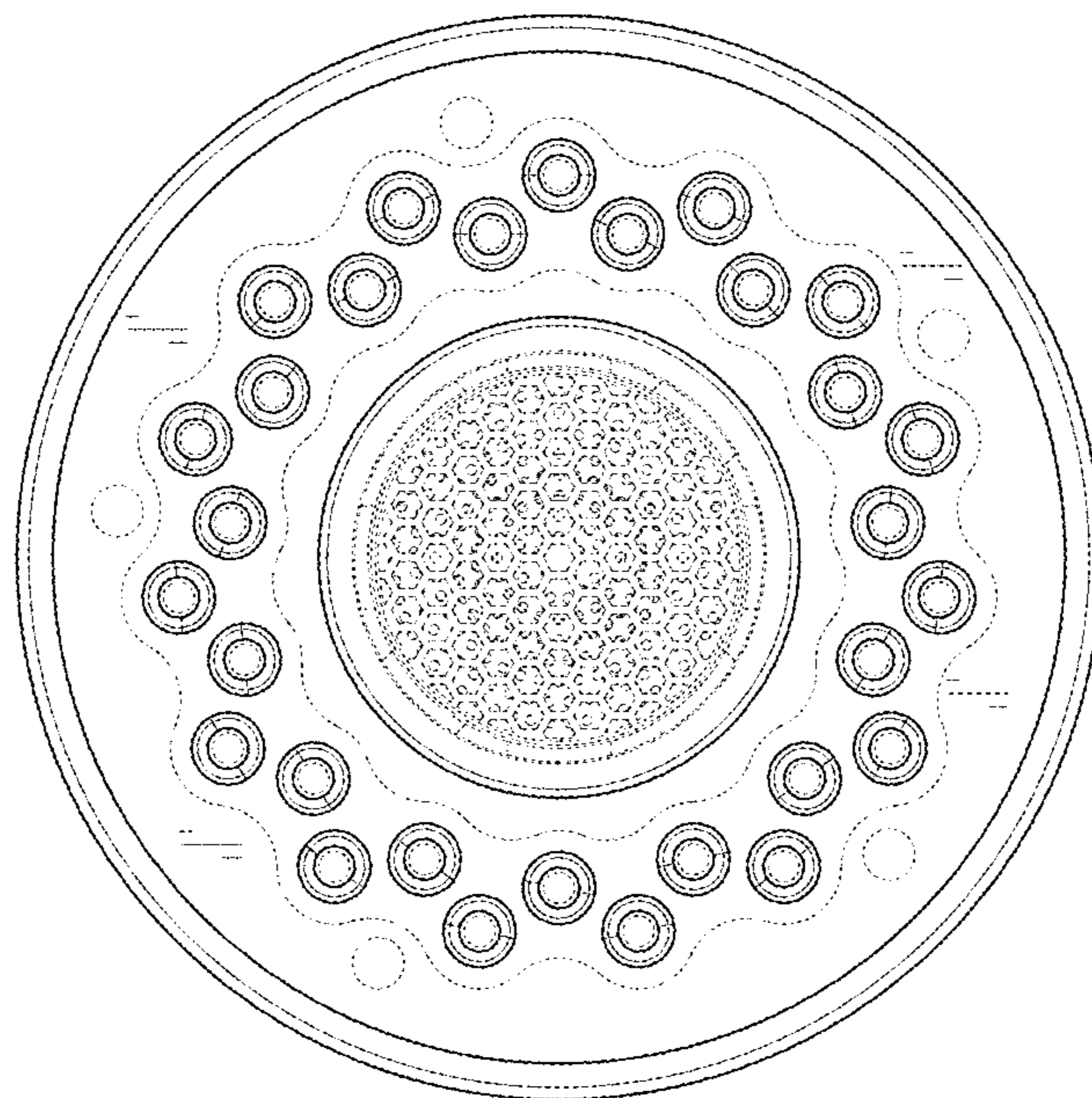


FIG. 8