



US00D914842S

(12) **United States Design Patent**  
**Zhang**

(10) **Patent No.:** **US D914,842 S**

(45) **Date of Patent:** **\*\* Mar. 30, 2021**

(54) **FAUCET SPRAY HEAD**  
(71) Applicant: **Xinrui Zhang**, Kaiping (CN)  
(72) Inventor: **Xinrui Zhang**, Kaiping (CN)  
(\*\*) Term: **15 Years**

D734,433 S 7/2015 Sieger  
9,988,796 B2 \* 6/2018 Bosio ..... E03C 1/0404  
D830,518 S 10/2018 Zeisel et al.  
10,233,619 B1 \* 3/2019 Lin ..... E03C 1/0404  
D853,524 S \* 7/2019 Song ..... D23/213  
D857,844 S \* 8/2019 Levi ..... D23/238  
D862,647 S \* 10/2019 Zeng ..... D23/238  
D863,505 S \* 10/2019 Zeng ..... D23/238  
D905,204 S \* 12/2020 Zhang ..... D23/238

(21) Appl. No.: **29/749,137**  
(22) Filed: **Sep. 3, 2020**  
(51) **LOC (13) Cl.** ..... **23-01**  
(52) **U.S. Cl.**  
USPC ..... **D23/226**  
(58) **Field of Classification Search**  
USPC ..... D23/213, 223, 226, 238-241, 245, 257  
CPC ..... Y10T 137/9464; Y10T 137/6014; Y10T  
137/6017  
See application file for complete search history.

\* cited by examiner

*Primary Examiner* — Robert A Delehanty  
(74) *Attorney, Agent, or Firm* — Rumi Ranjit Kanakia

(57) **CLAIM**

I claim the ornamental design for a faucet spray head, as shown and described.

**DESCRIPTION**

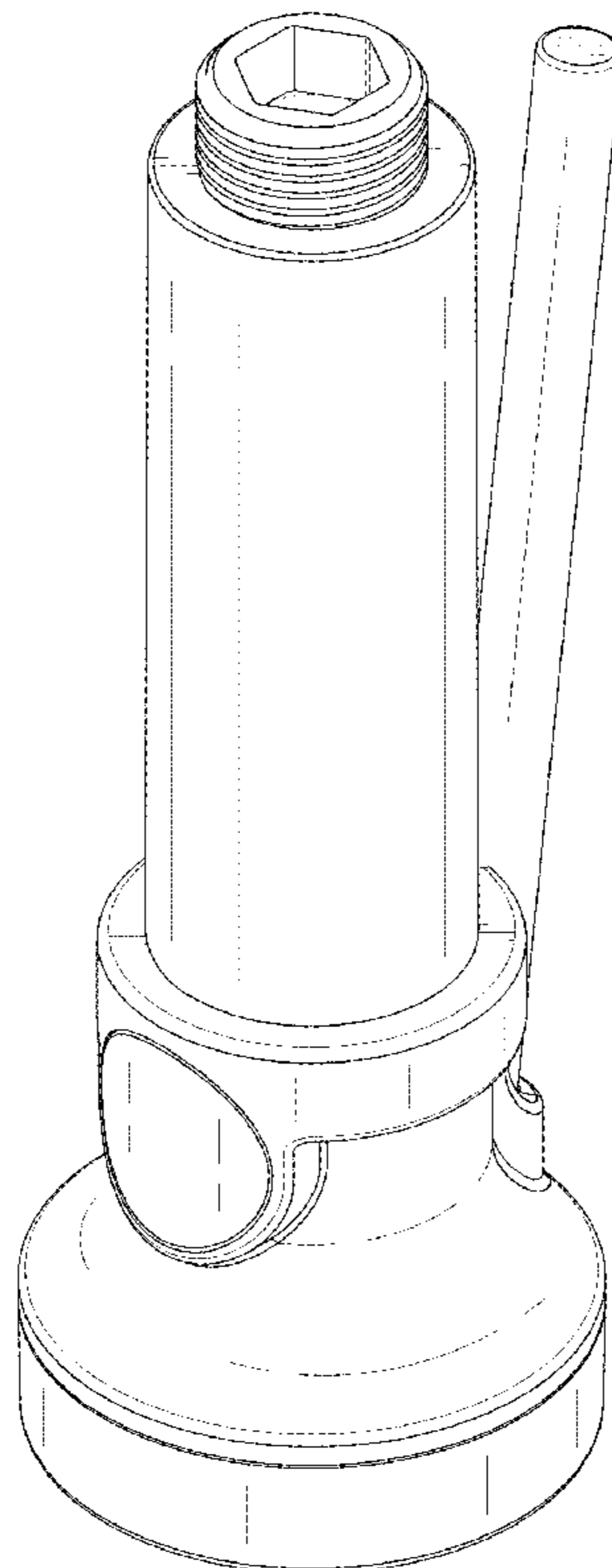
FIG. 1 is a Perspective view of a faucet spray head showing my new design;  
FIG. 2 is other perspective view thereof;  
FIG. 3 is a Front view thereof;  
FIG. 4 is a Back view thereof;  
FIG. 5 is a Right-side view thereof;  
FIG. 6 is a Left-side view thereof;  
FIG. 7 is a Top view thereof; and,  
FIG. 8 is a Bottom view thereof.  
The broken lines are for the purpose of illustrating portions of the article that form no part of the claim.

(56) **References Cited**

U.S. PATENT DOCUMENTS

D191,428 S \* 9/1961 Leighton ..... D23/229  
D479,309 S \* 9/2003 Haug ..... D23/238  
D517,652 S 3/2006 Egli et al.  
D557,380 S \* 12/2007 Shieh ..... D23/238  
D619,220 S \* 7/2010 Semchuck ..... D23/238  
D646,354 S 10/2011 Gessi  
8,413,686 B2 \* 4/2013 Ko ..... E03C 1/0404  
137/801  
D684,661 S \* 6/2013 Ogen ..... D23/213  
D685,878 S 7/2013 Fritz  
8,875,738 B2 \* 11/2014 Yang ..... E03C 1/0404  
137/801

**1 Claim, 8 Drawing Sheets**



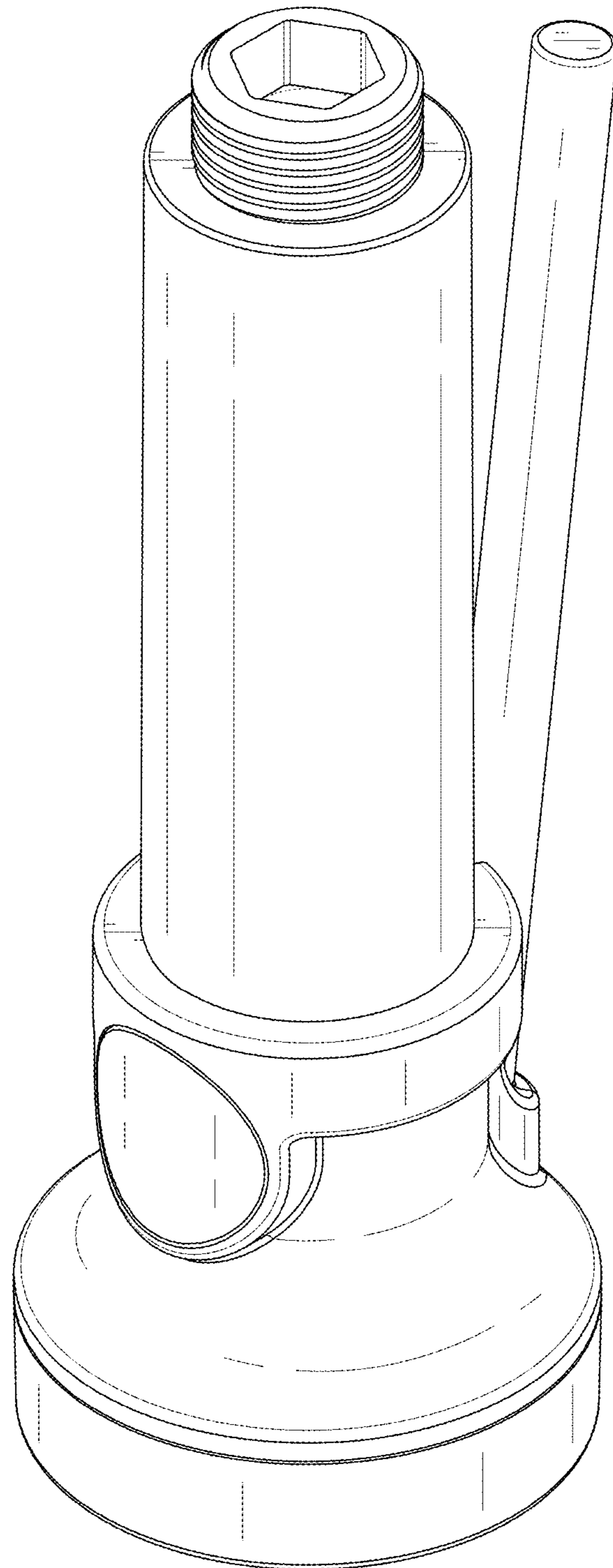


FIG. 1

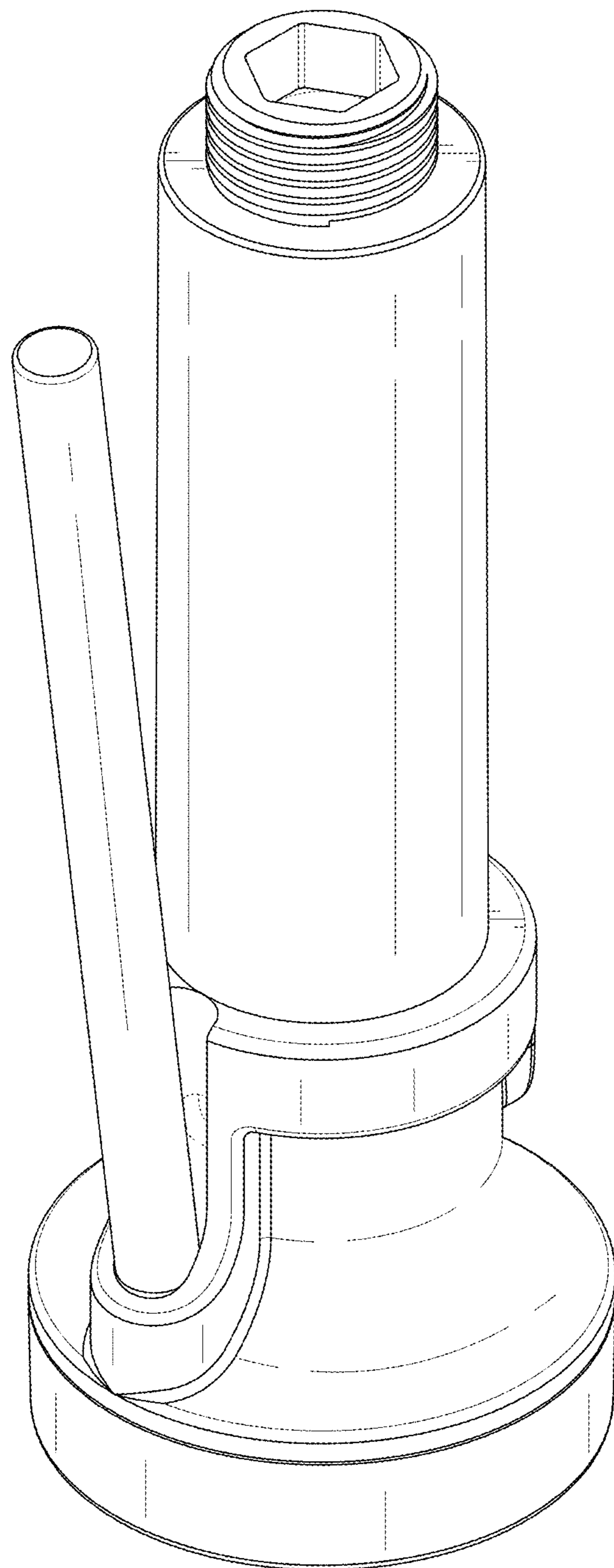


FIG. 2

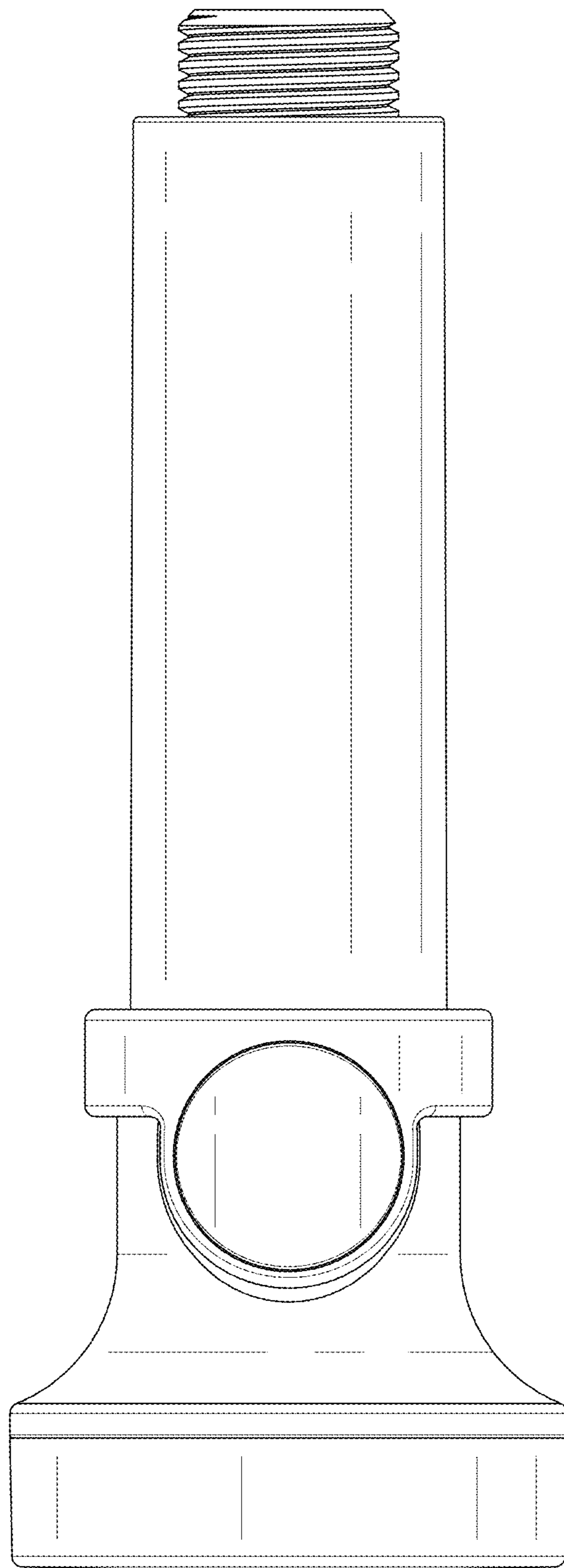


FIG. 3

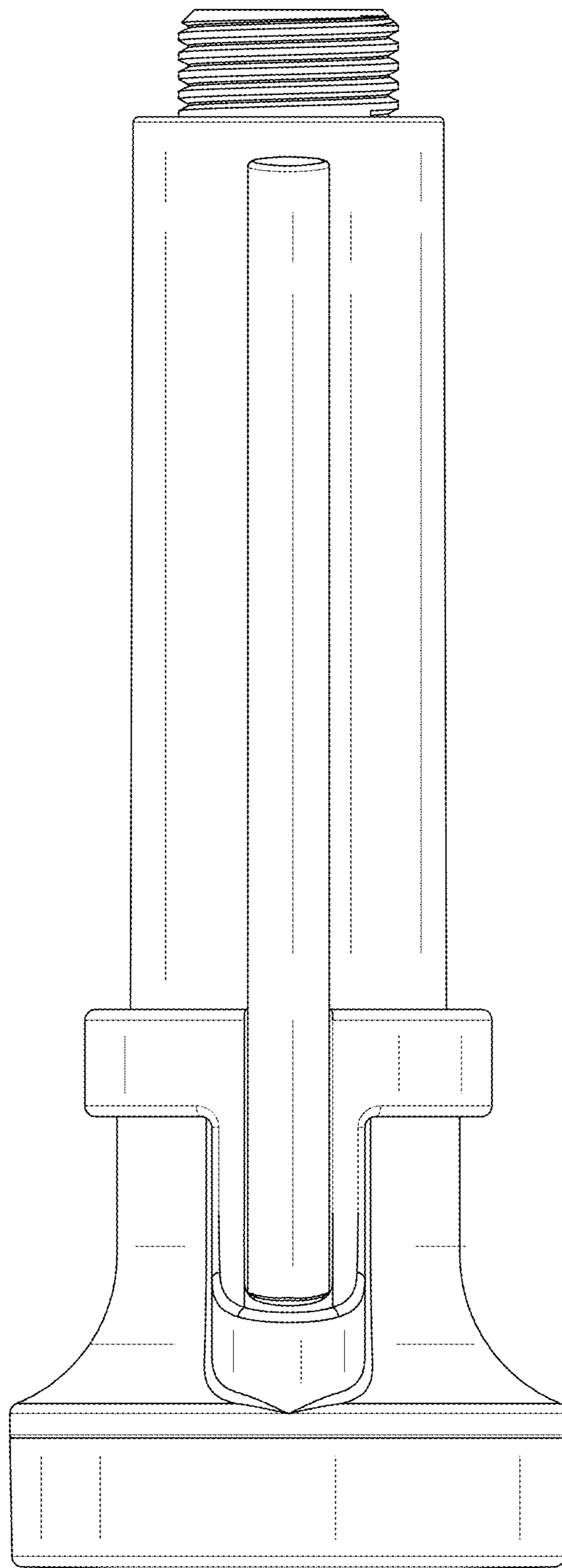


FIG. 4

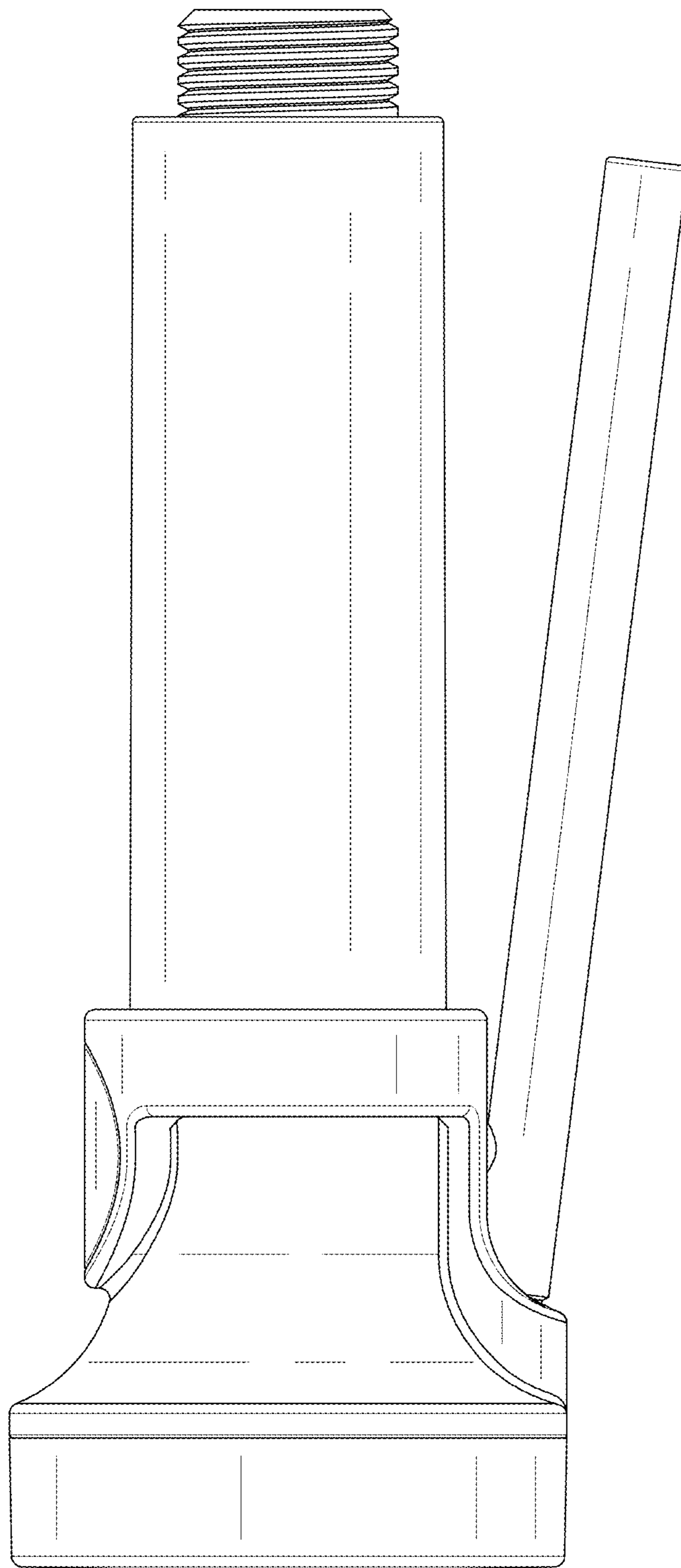


FIG. 5



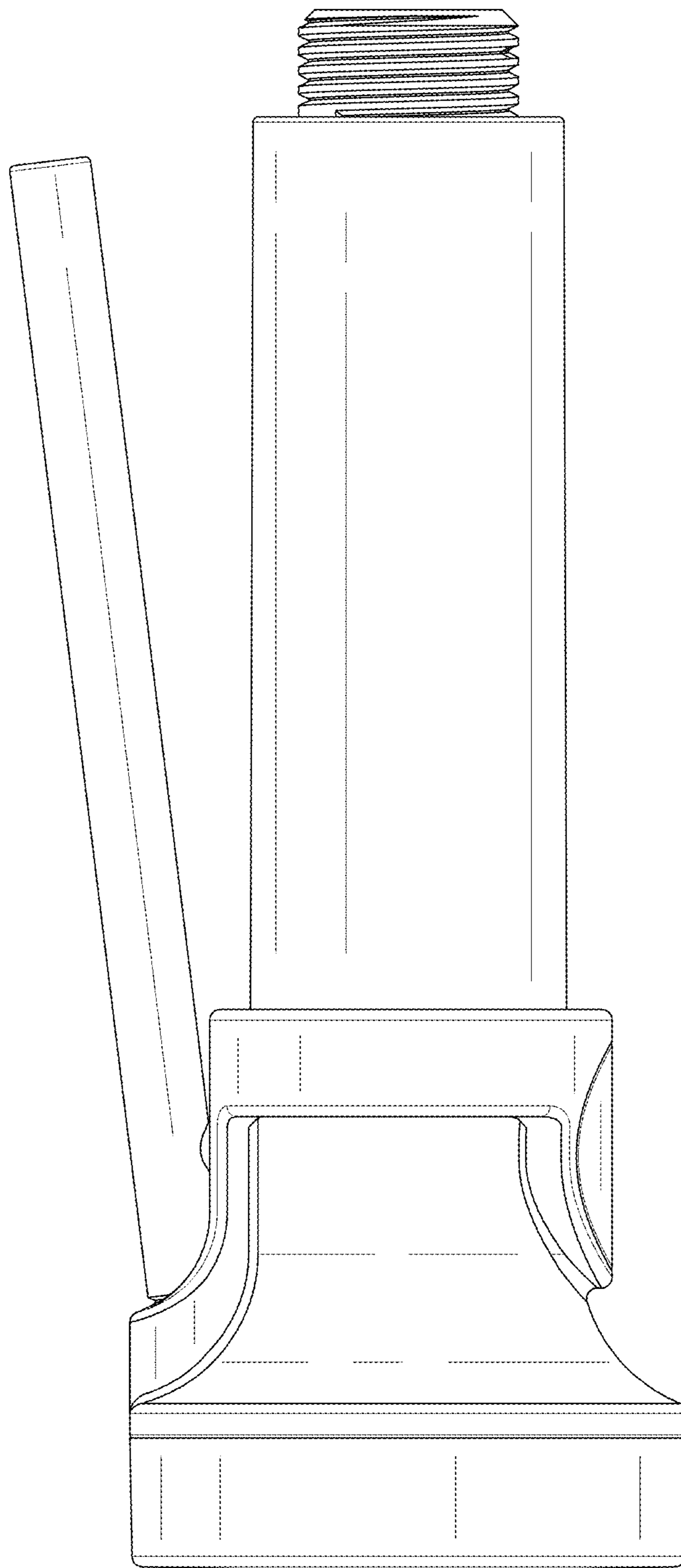


FIG. 6

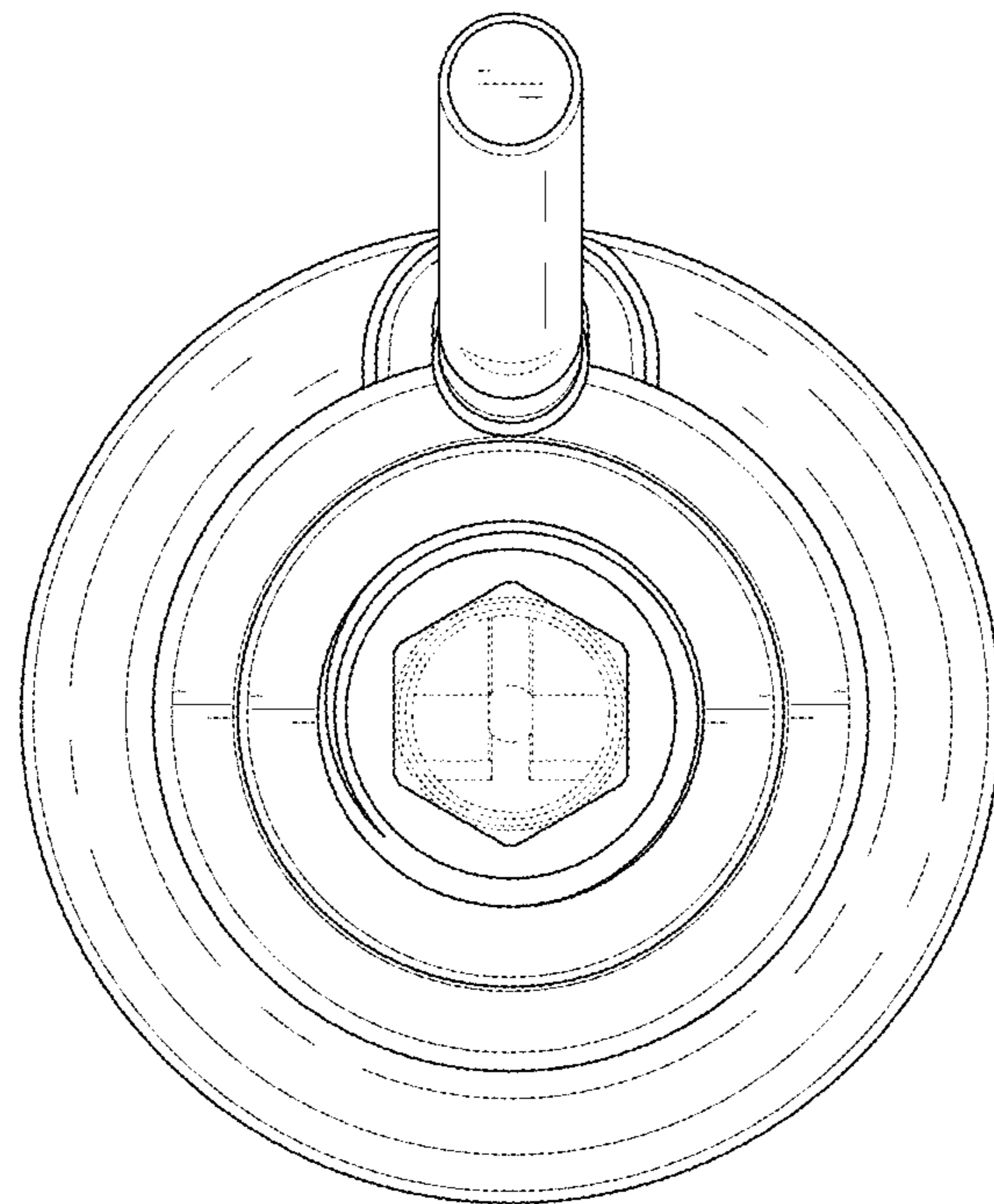


FIG. 7



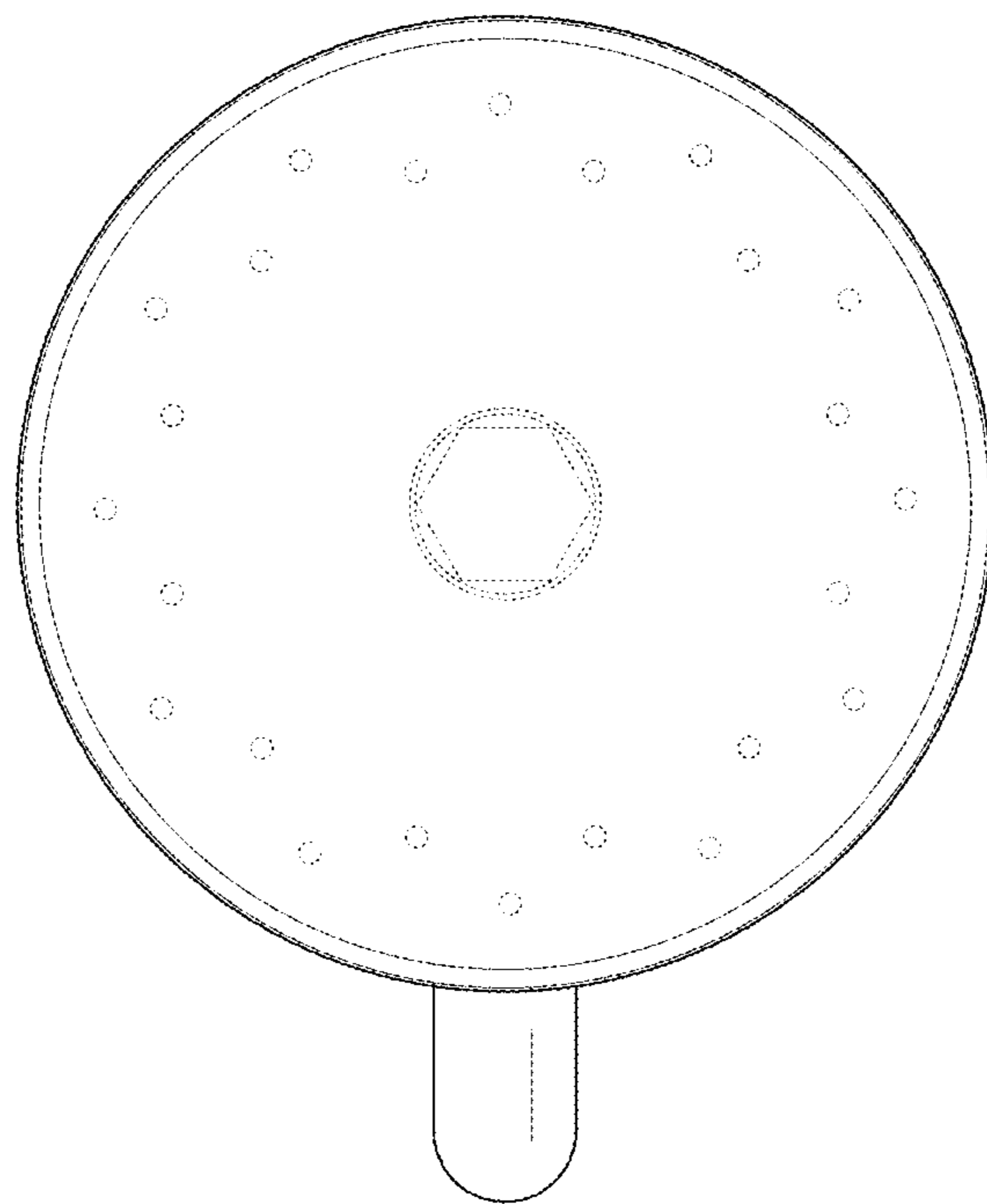


FIG. 8