



US00D914841S

(12) **United States Design Patent**
Zhang

(10) **Patent No.:** **US D914,841 S**

(45) **Date of Patent:** **** Mar. 30, 2021**

(54) **FAUCET SPRAY HEAD**

(71) Applicant: **Xinrui Zhang**, Kaiping (CN)

(72) Inventor: **Xinrui Zhang**, Kaiping (CN)

(**) Term: **15 Years**

(21) Appl. No.: **29/749,136**

(22) Filed: **Sep. 3, 2020**

(51) **LOC (13) Cl.** **23-01**

(52) **U.S. Cl.**
USPC **D23/226**

(58) **Field of Classification Search**
USPC D23/213, 223, 226, 238-241, 245, 257
CPC Y10T 137/9464; Y10T 137/6014; Y10T
137/6017

See application file for complete search history.

(56) **References Cited**

U.S. PATENT DOCUMENTS

D191,428 S *	9/1961	Leighton	D23/229
D479,309 S *	9/2003	Haug	D23/238
D517,652 S	3/2006	Egli et al.	
D557,380 S *	12/2007	Shieh	D23/238
D619,220 S *	7/2010	Semchuck	D23/238
D646,354 S	10/2011	Gessi	
8,413,686 B2 *	4/2013	Ko	E03C 1/0404 137/801
D684,661 S *	6/2013	Ogen	D23/213
D685,878 S	7/2013	Fritz	
8,875,738 B2 *	11/2014	Yang	E03C 1/0404 137/801

D734,433 S	7/2015	Sieger	
9,988,796 B2 *	6/2018	Bosio	E03C 1/0404
D830,518 S	10/2018	Zeisel et al.	
10,233,619 B1 *	3/2019	Lin	E03C 1/0404
D853,524 S *	7/2019	Song	D23/213
D857,844 S *	8/2019	Levi	D23/238
D862,647 S *	10/2019	Zeng	D23/238
D863,505 S *	10/2019	Zeng	D23/238
D905,204 S *	12/2020	Zhang	D23/238

* cited by examiner

Primary Examiner — Robert A Delehanty

(74) *Attorney, Agent, or Firm* — Rumi Ranjit Kanakia

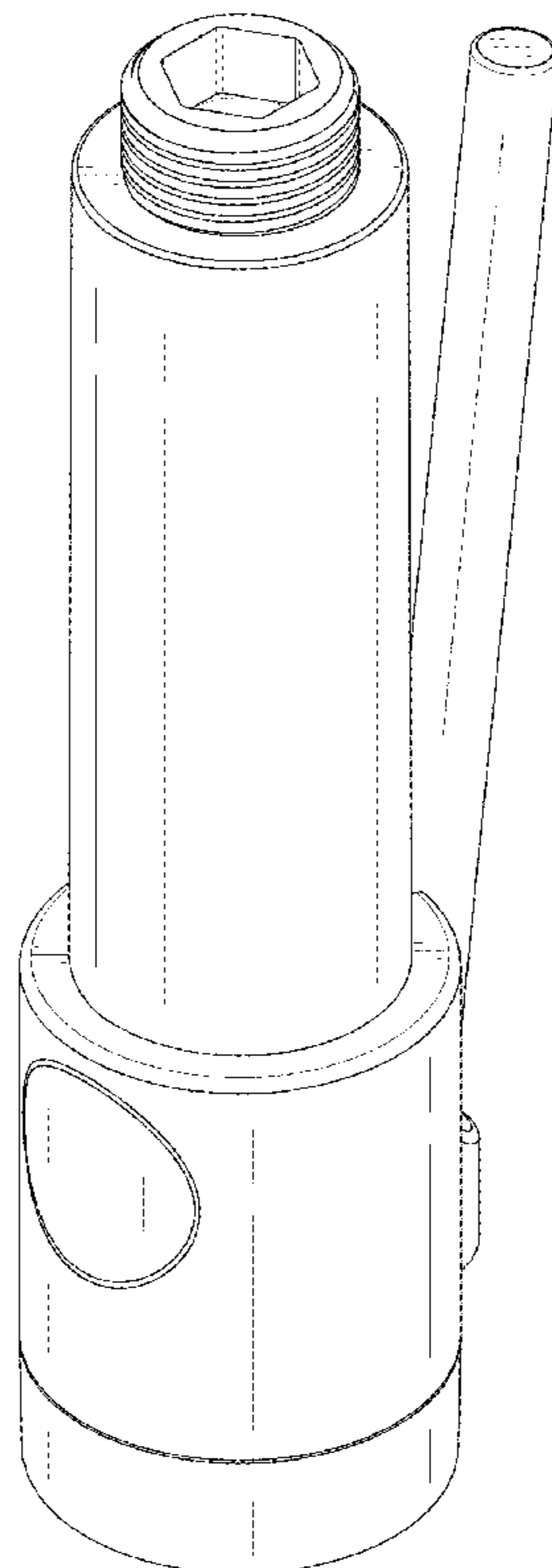
(57) **CLAIM**

I claim the ornamental design for a faucet spray head, as shown and described.

DESCRIPTION

FIG. 1 is a Perspective view of a faucet spray head showing my new design;
 FIG. 2 is other perspective view thereof;
 FIG. 3 is a Front view thereof;
 FIG. 4 is a Back view thereof;
 FIG. 5 is a Right-side view thereof;
 FIG. 6 is a Left-side view thereof;
 FIG. 7 is a Top view thereof; and,
 FIG. 8 is a Bottom view thereof.
 The broken lines are for the purpose of illustrating portions of the article that form no part of the claim.

1 Claim, 8 Drawing Sheets



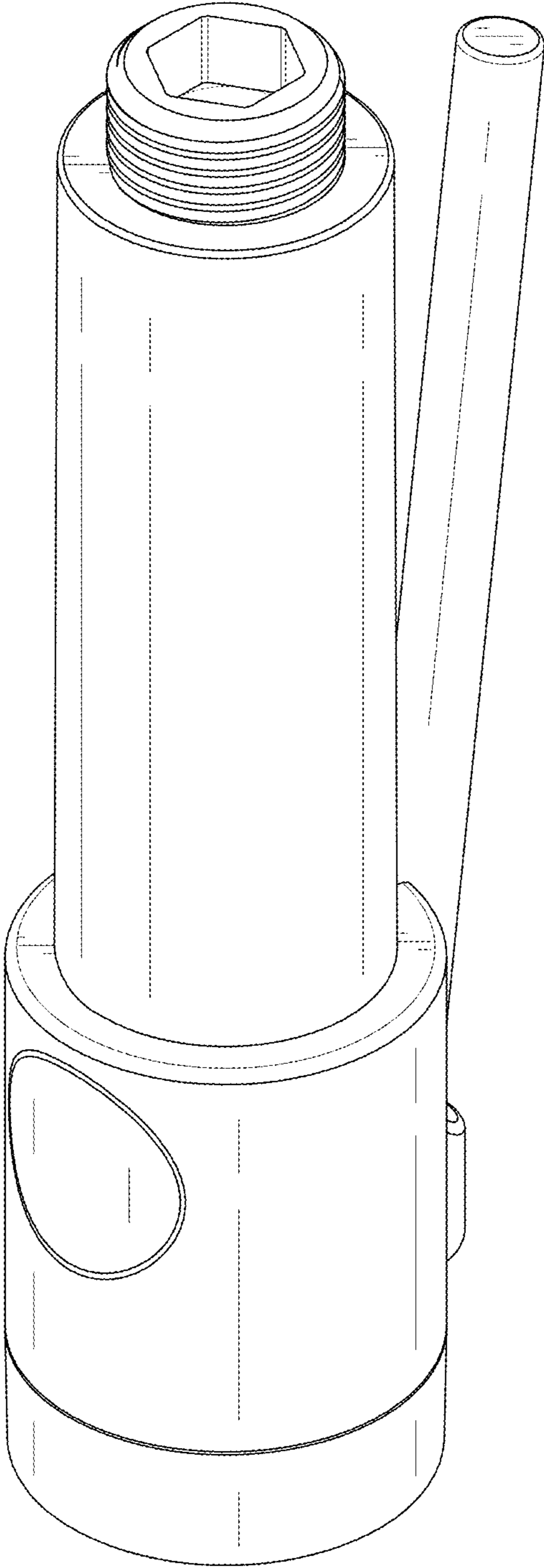


FIG. 1

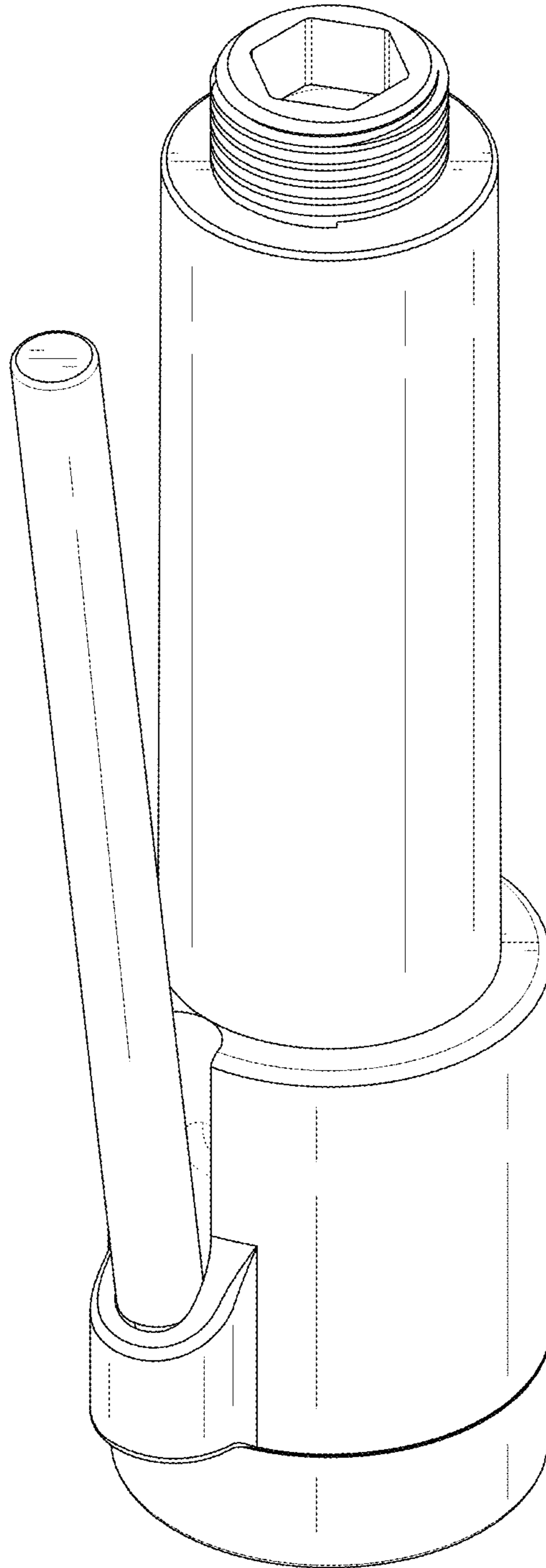


FIG. 2

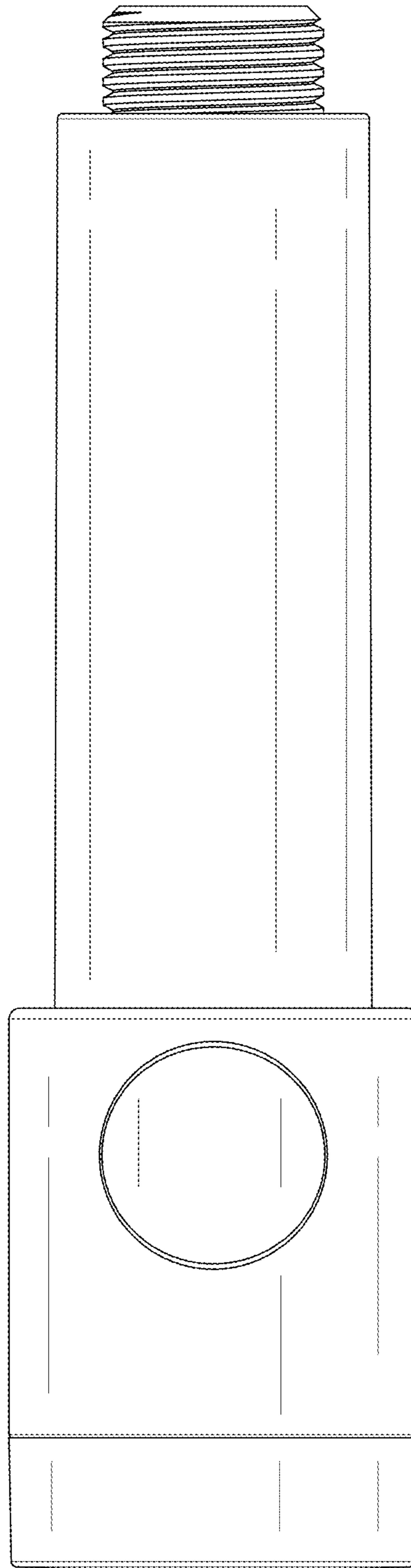


FIG. 3

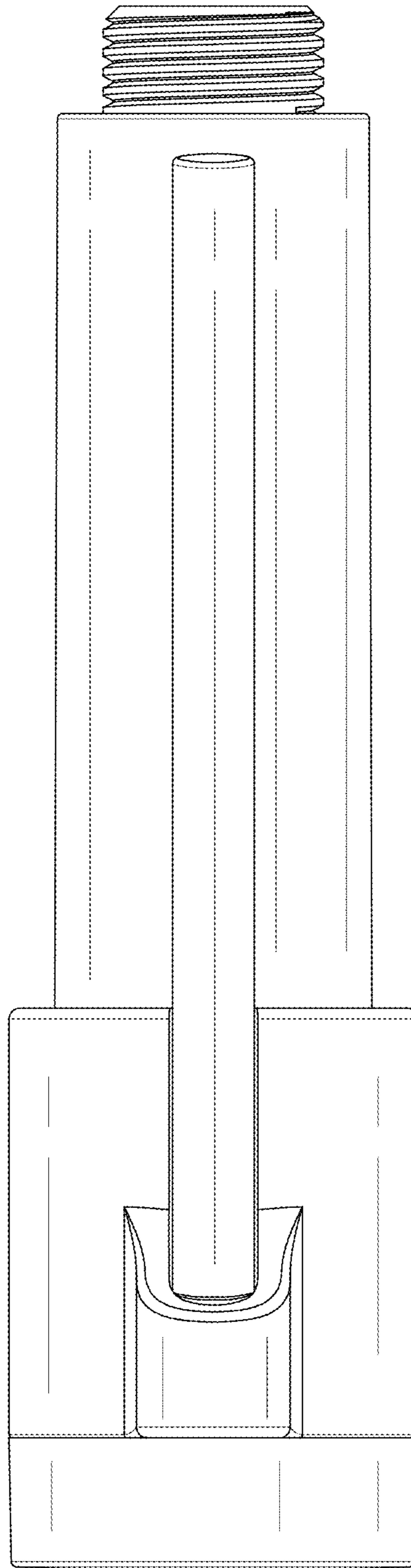


FIG. 4

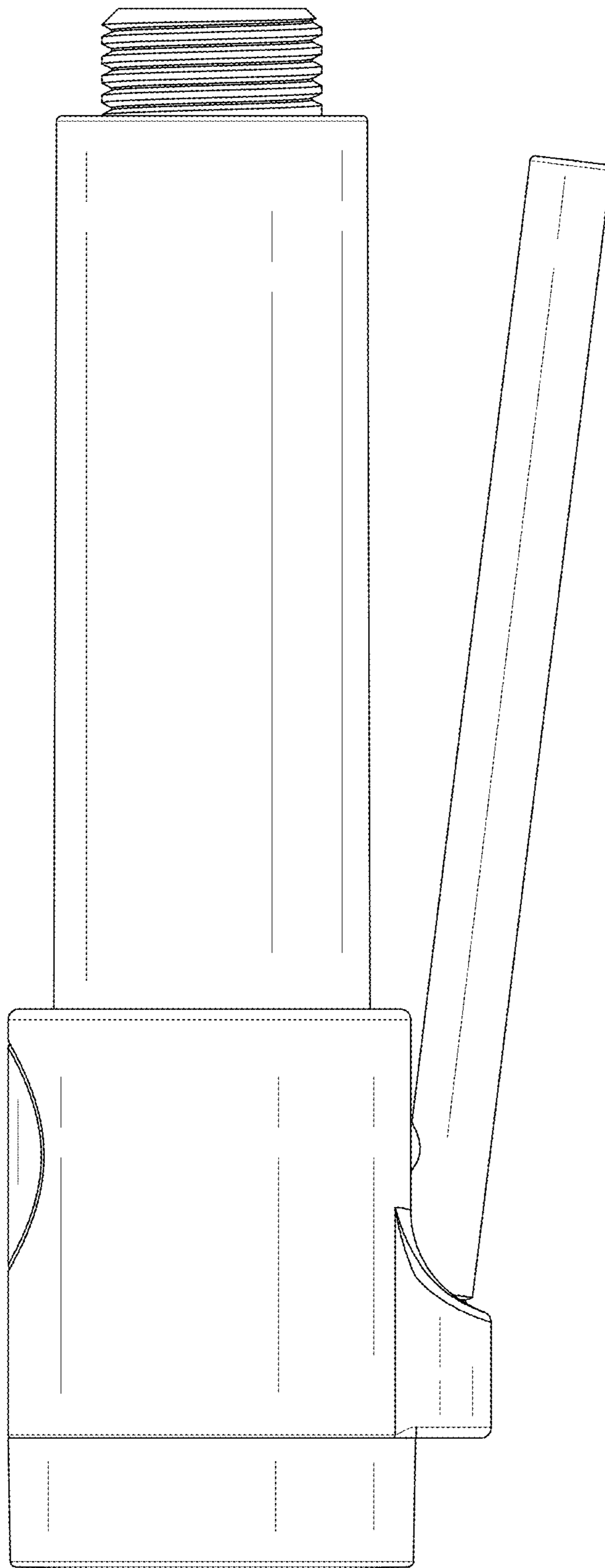


FIG. 5

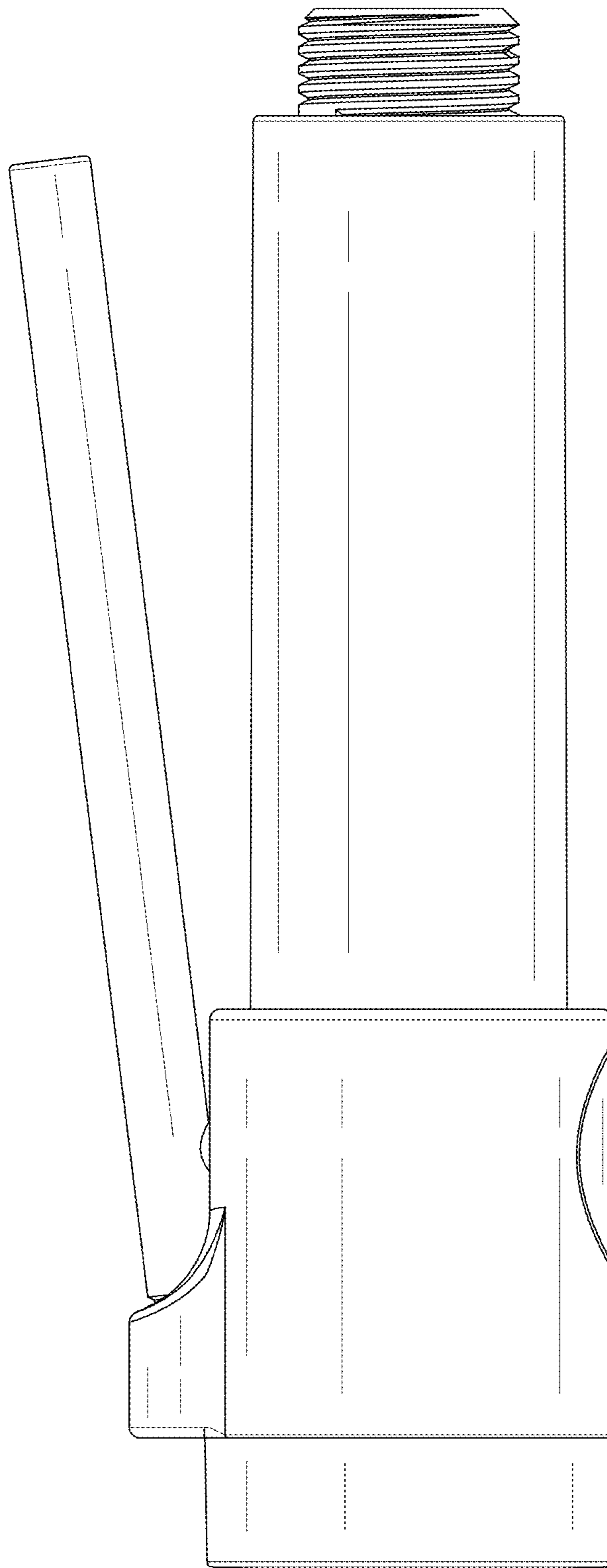


FIG. 6

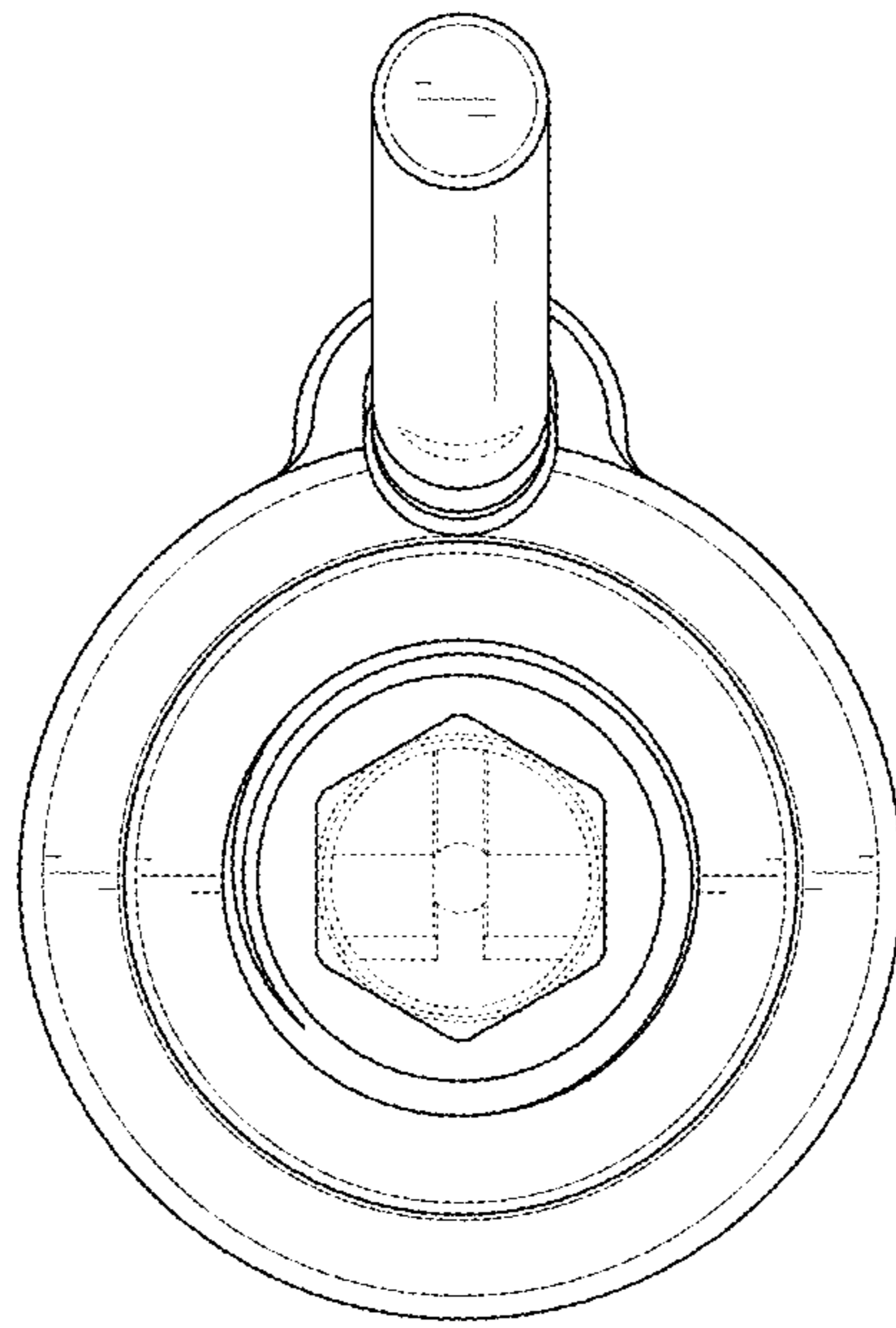


FIG. 7

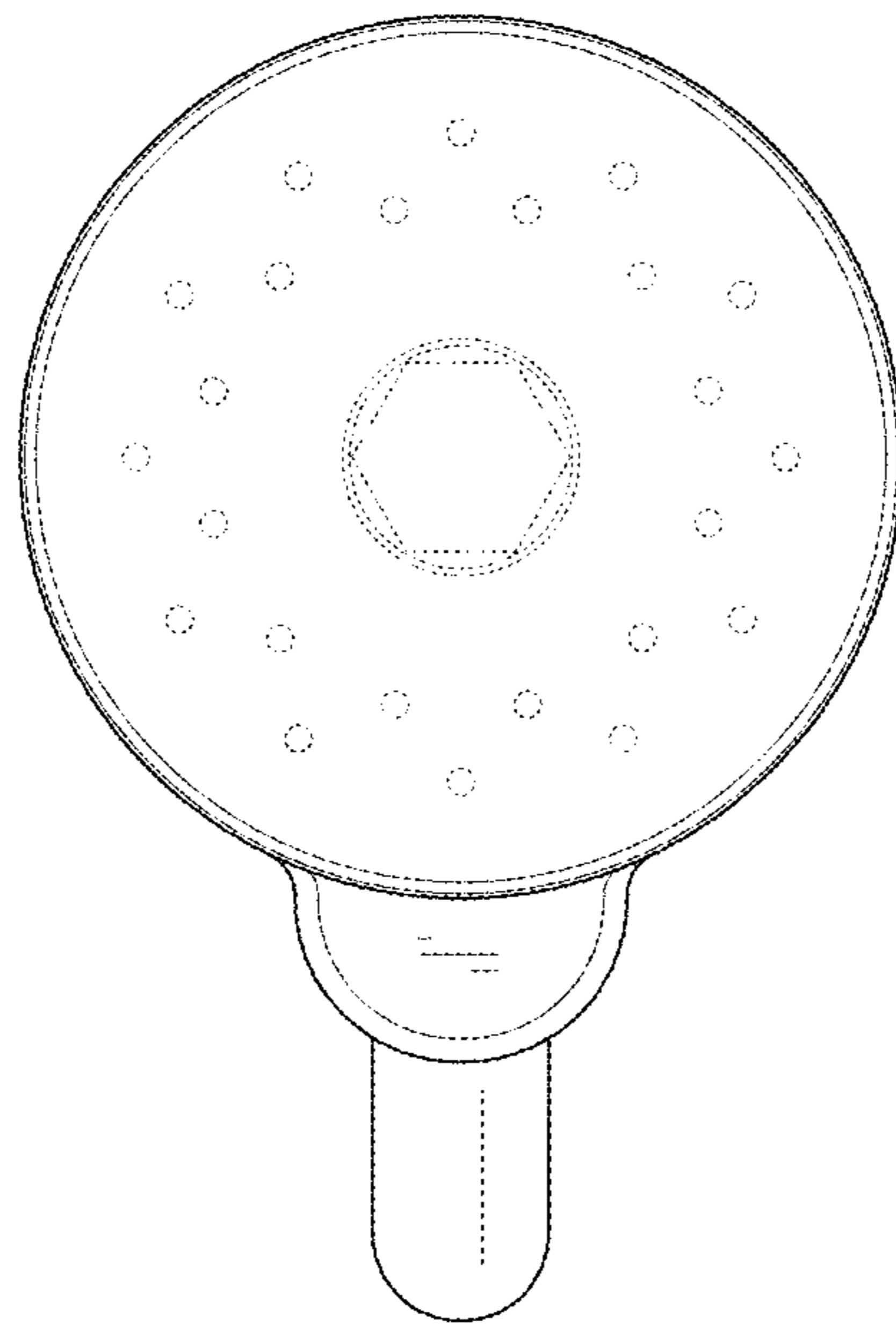


FIG. 8