



US00D914840S

(12) **United States Design Patent** (10) **Patent No.:** **US D914,840 S**
Liang (45) **Date of Patent:** **** Mar. 30, 2021**

(54) **SHOWER HEAD**

FOREIGN PATENT DOCUMENTS

(71) Applicant: **Shufeng Liang**, Guangzhou (CN)

CN 110918278 * 12/1999
JP 03281835 A * 3/1990
TW 294913 * 1/2006

(72) Inventor: **Shufeng Liang**, Guangzhou (CN)

(**) Term: **15 Years**

OTHER PUBLICATIONS

(21) Appl. No.: **29/746,509**

BEL <https://www.calfaucets.com/bathroom/shower/shower-heads-arms-hand-showers/shower-heads/3-styleflow-multi-function-showerhead-bël> (Year: 2020).*

(22) Filed: **Aug. 14, 2020**

Glacier Bay <https://www.homedepot.com/p/Glacier-Bay-2-Spray-2-2-in-Single-Wall-Mount-Fixed-Adjustable-Shower-Head-in-Chrome-8464000HC/304601001> (Year: 2017).*

(51) **LOC (13) Cl.** **23-01**

Speakman <https://www.bedbathandbeyond.com/store/product/speakman-reg-anystream-classic-multi-function-shower-head-in-polished-chrome/3343533?keyword=shower-head> (Year: 2020).*

(52) **U.S. Cl.**

USPC **D23/226**

(58) **Field of Classification Search**

USPC D23/266, 255, 259, 226

CPC B05B 1/18; B05B 1/185

See application file for complete search history.

* cited by examiner

Primary Examiner — Karen S Acker

Assistant Examiner — Jonathan Emil Fiencke

(74) *Attorney, Agent, or Firm* — Rumi Ranjit Kanakia

(56) **References Cited**

U.S. PATENT DOCUMENTS

D443,029 S	5/2001	Haug et al.	
D447,218 S	8/2001	Haug et al.	
D463,844 S	10/2002	Farley	
D471,253 S	3/2003	Tse	
D550,326 S *	9/2007	Huang	D23/213
D560,756 S *	1/2008	Tse	D23/229
D583,015 S *	12/2008	Soriano	D23/249
D667,078 S *	9/2012	Rodney	D23/213
D758,552 S *	6/2016	Rexach	D23/255
D838,343 S *	1/2019	Lai	D23/229
D842,429 S *	3/2019	Huang	D23/213
D842,430 S *	3/2019	Huang	D23/213
D889,600 S *	7/2020	Zhang	D23/213
2016/0136659 A1 *	5/2016	Erickson	F16K 11/20 239/443
2018/0126393 A1 *	5/2018	Wang	B05B 1/185
2019/0184409 A1 *	6/2019	Wang	B05B 1/3013
2020/0197960 A1 *	6/2020	Zhang	B05B 1/185

(57) **CLAIM**

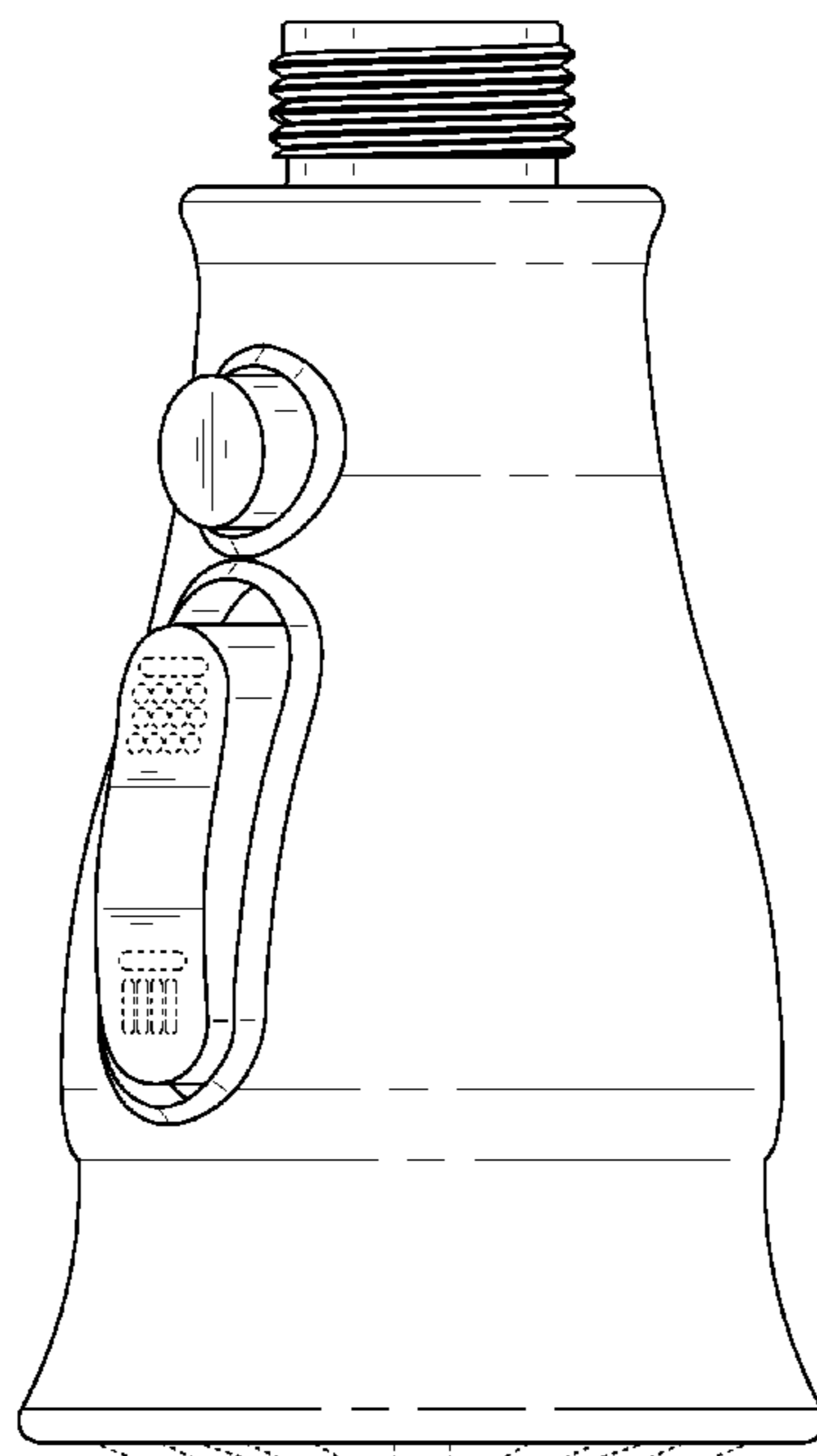
I claim the ornamental design for a shower head, as shown and described.

DESCRIPTION

FIG. 1 is a Perspective view of a shower head showing my new design;
FIG. 2 is a Front view thereof;
FIG. 3 is a Back view thereof;
FIG. 4 is a Right-side view thereof;
FIG. 5 is a Left-side view thereof;
FIG. 6 is a Top view thereof; and,
FIG. 7 is a Bottom view thereof.

The broken lines are for the purpose of illustrating portions of the article that form no part of the claim.

1 Claim, 7 Drawing Sheets



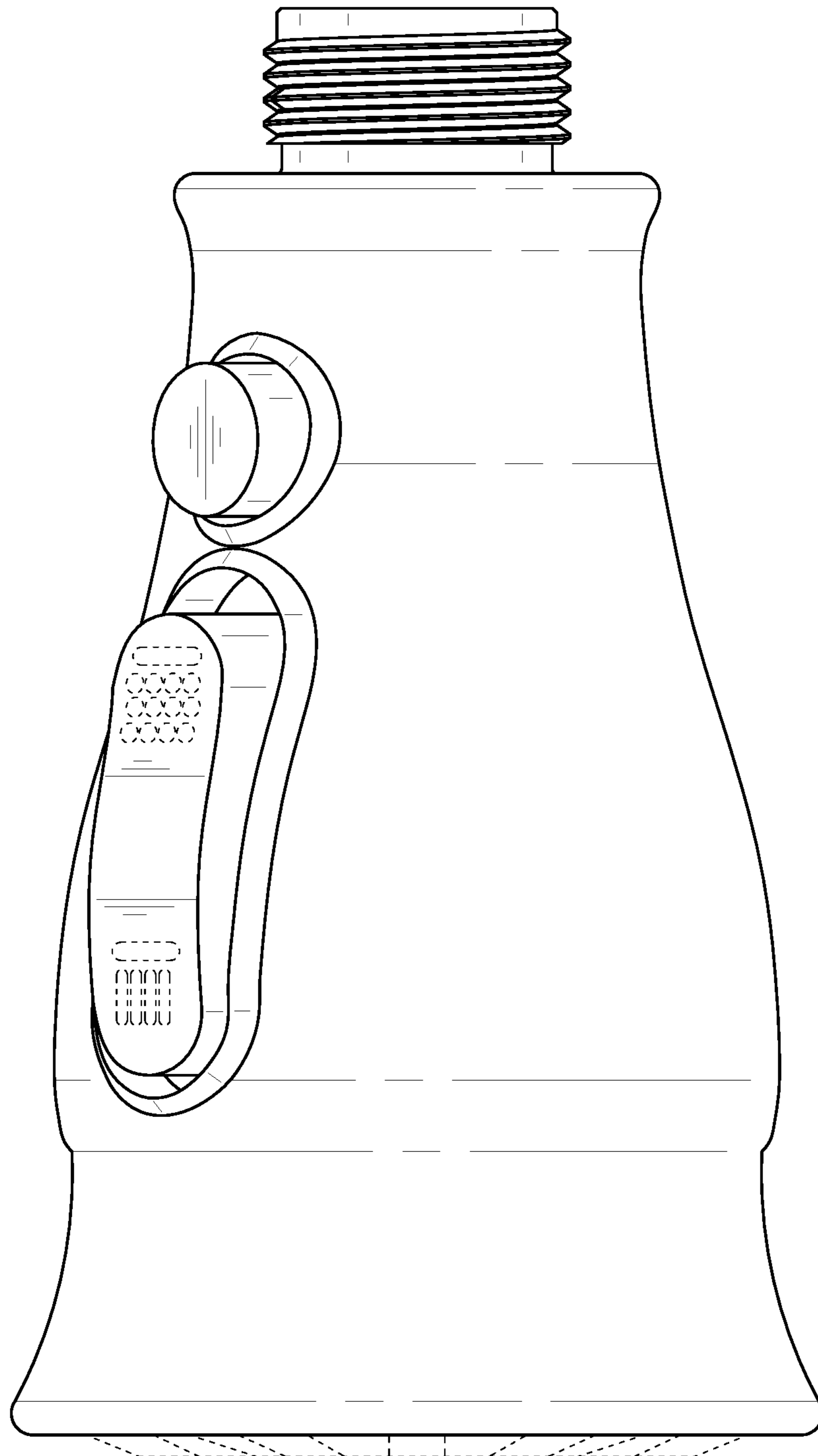


FIG. 1

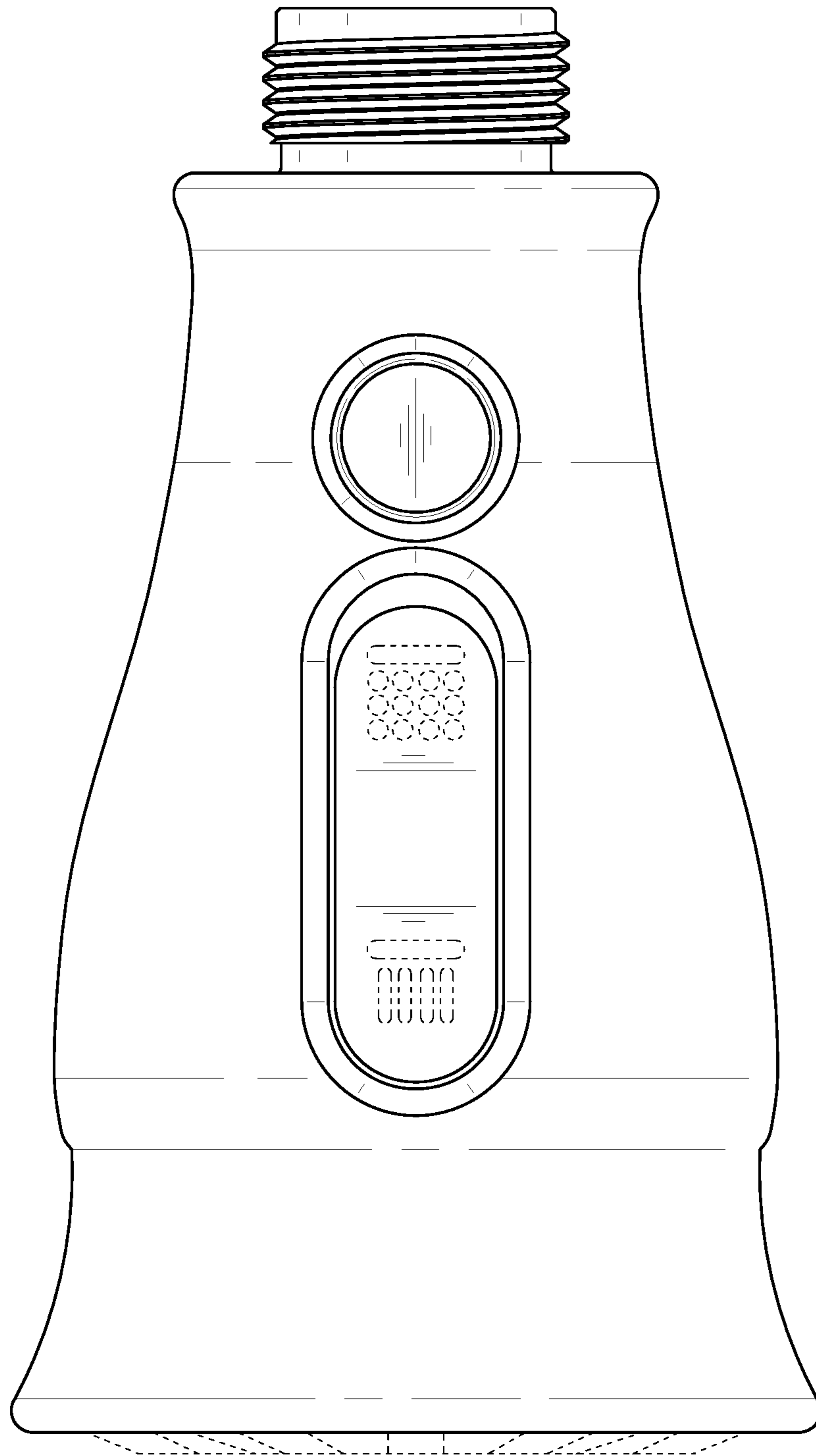


FIG. 2

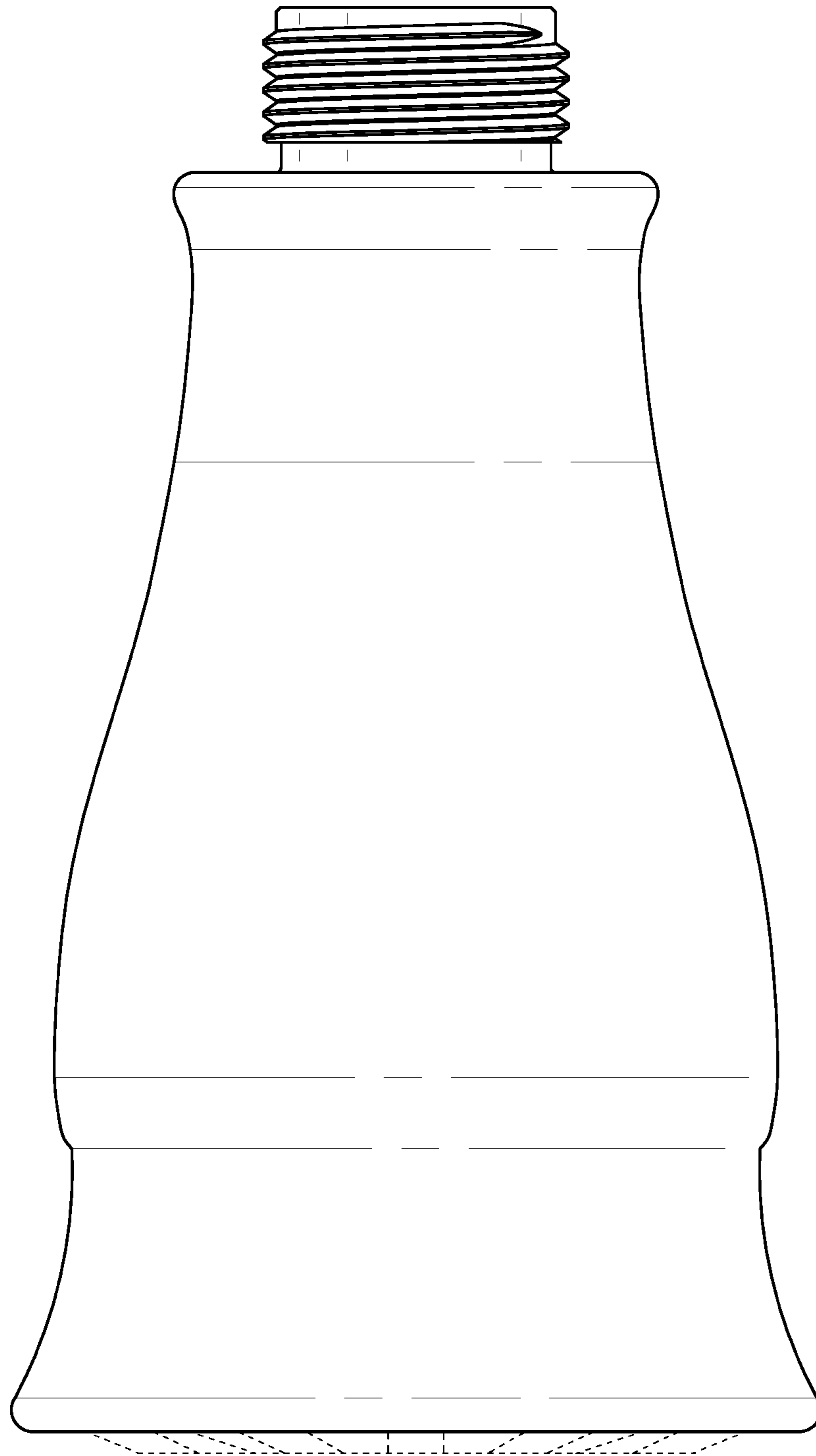


FIG. 3

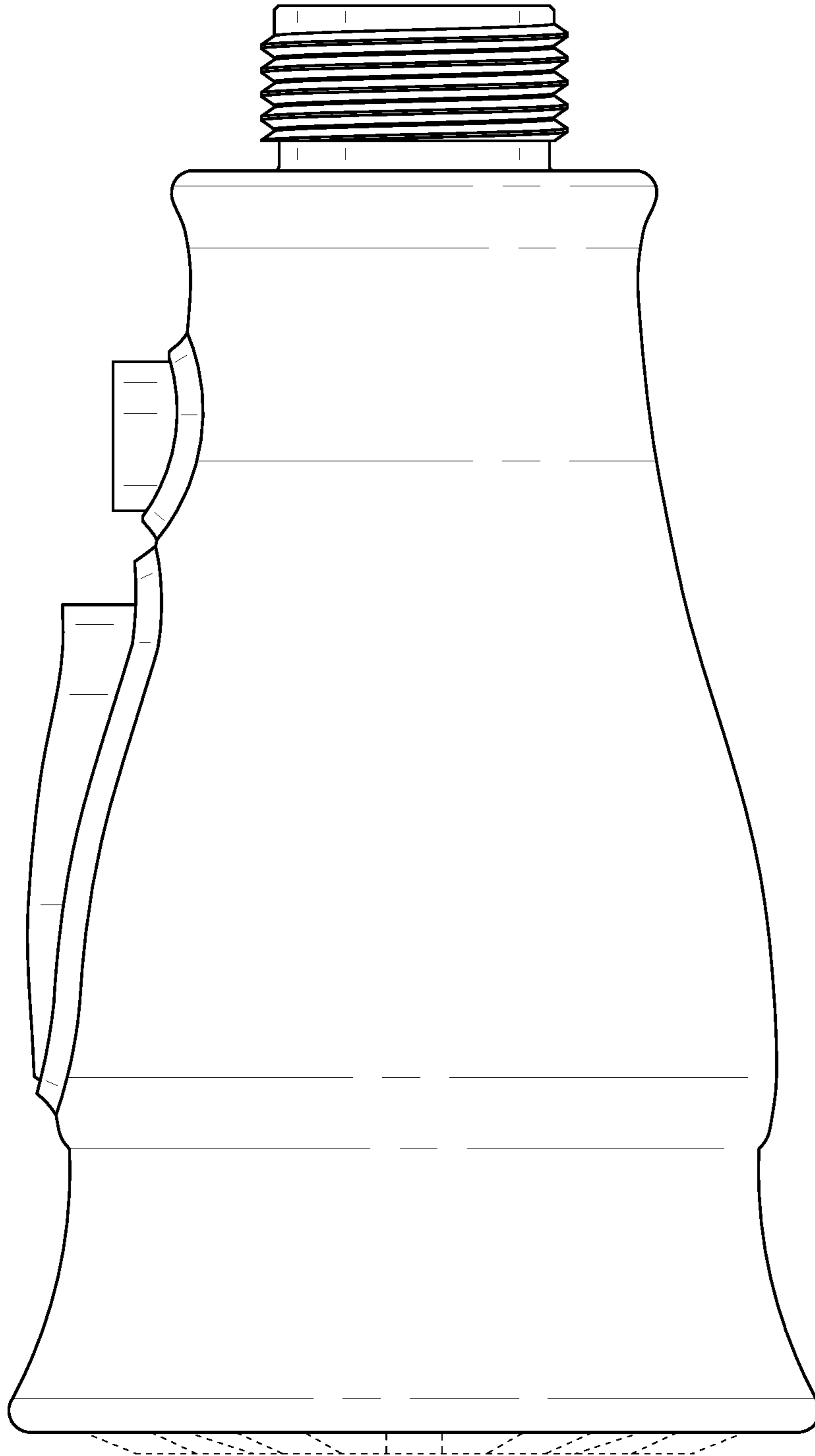


FIG. 4

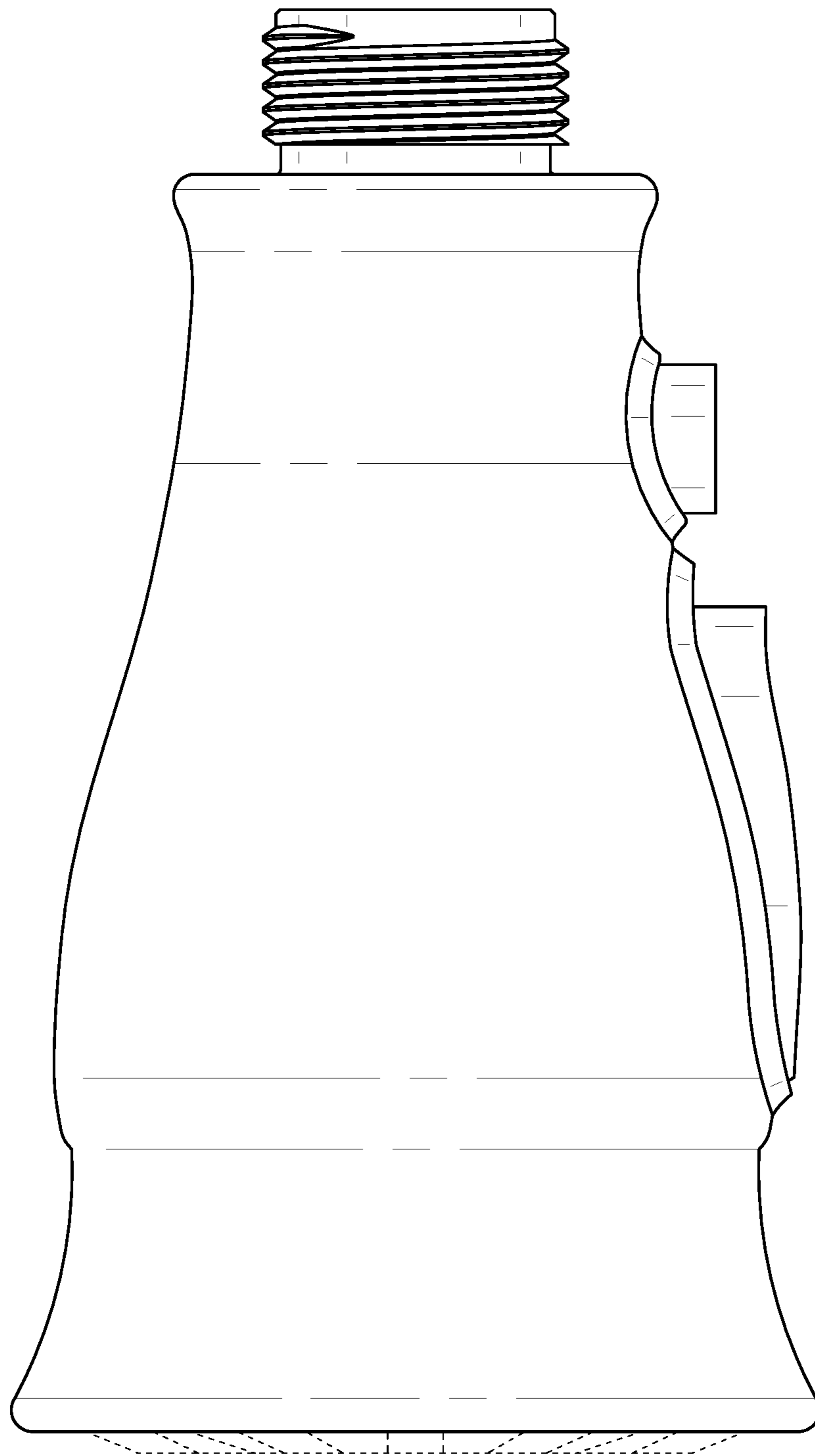


FIG. 5

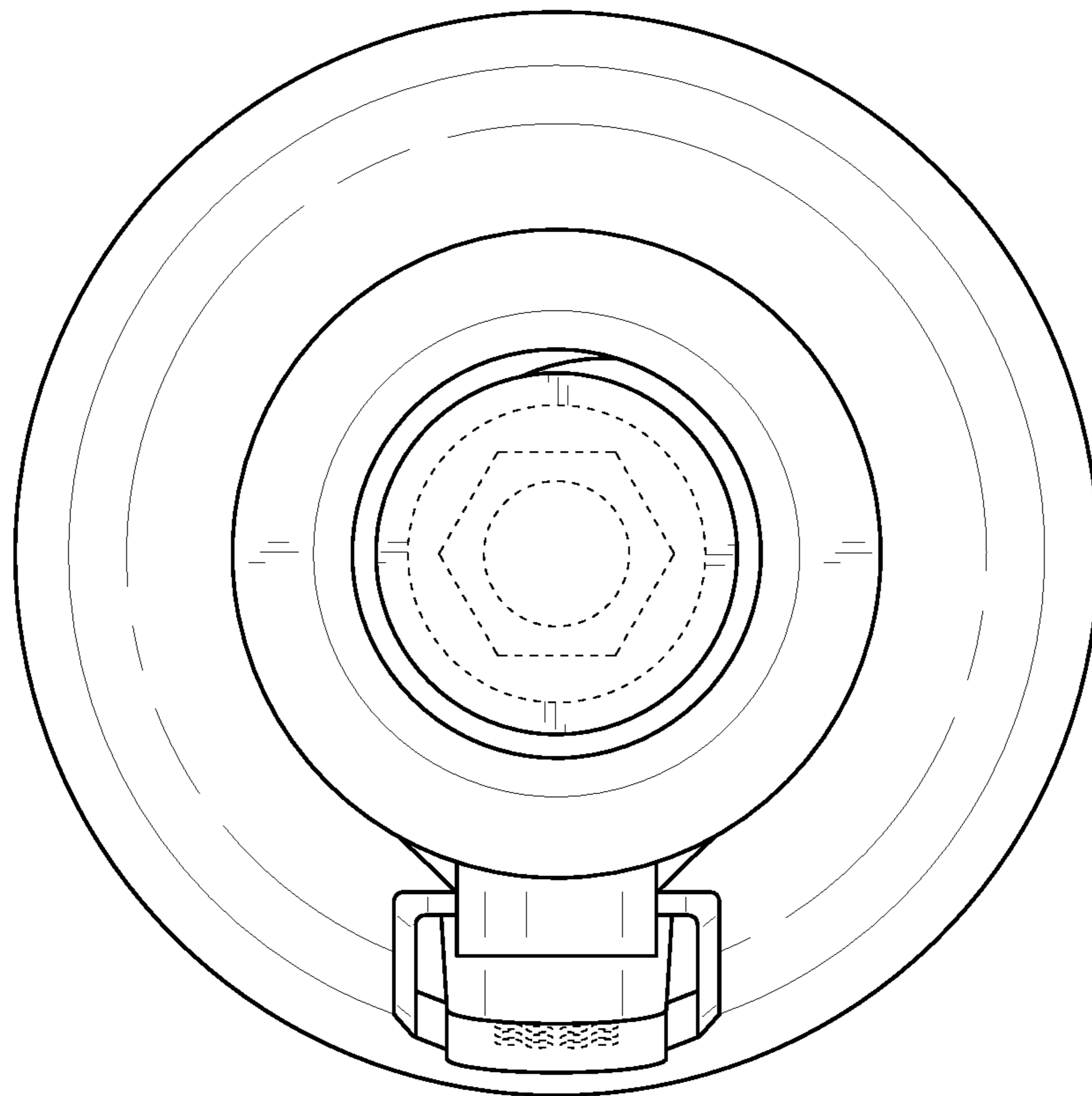


FIG. 6

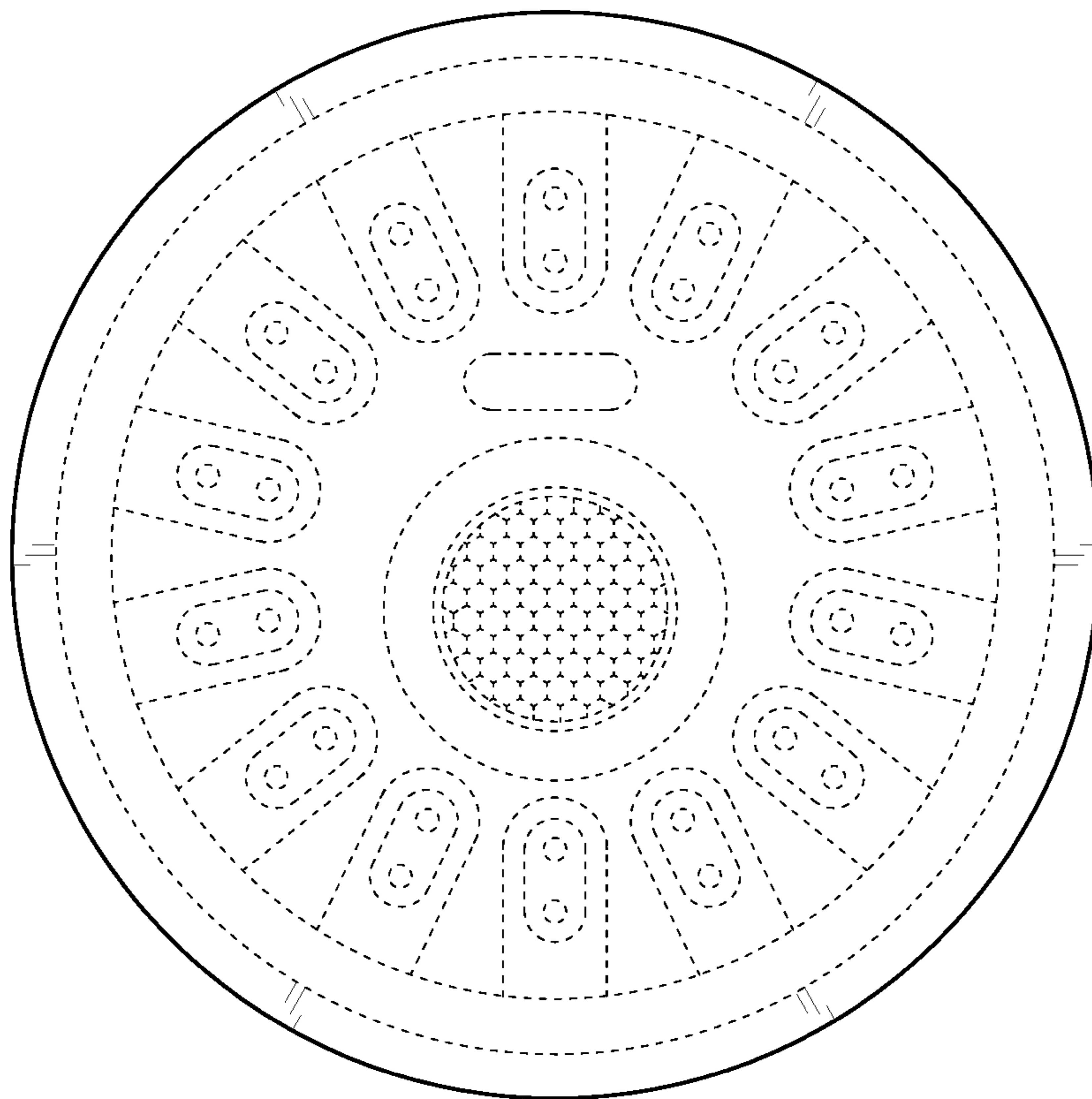


FIG. 7