



US00D914839S

(12) **United States Design Patent** (10) **Patent No.:** **US D914,839 S**  
**Nahum et al.** (45) **Date of Patent:** **\*\* Mar. 30, 2021**

(54) **WATER FILTER**

(71) Applicant: **STRAUSS WATER LTD**, Or Yehuda (IL)

(72) Inventors: **Orly Nahum**, Ramat Gan (IL); **Omer Ben Baruch**, Kiryat Ono (IL)

(73) Assignee: **STRAUSS WATER LTD**, Or Yehuda (IL)

(\*\*) Term: **15 Years**

(21) Appl. No.: **29/695,965**

(22) Filed: **Jun. 24, 2019**

(30) **Foreign Application Priority Data**

Dec. 26, 2018 (IL) ..... 63096

(51) **LOC (13) Cl.** ..... **23-01**

(52) **U.S. Cl.**  
USPC ..... **D23/209**

(58) **Field of Classification Search**  
USPC ..... D23/207-210; D7/309; 210/232, 435  
CPC ..... C02F 1/00; B01D 46/52  
See application file for complete search history.

(56) **References Cited**

**U.S. PATENT DOCUMENTS**

D407,462 S \* 3/1999 Bishop ..... D23/207  
D519,186 S \* 4/2006 Oranski ..... D23/209  
D547,827 S \* 7/2007 Kennedy ..... D23/209  
D621,001 S \* 8/2010 Maziel ..... D23/209  
D668,741 S \* 10/2012 Choi ..... D23/209  
D759,788 S \* 6/2016 Wei ..... D23/207  
9,365,434 B2 \* 6/2016 Wilder ..... B01D 29/21  
D768,810 S \* 10/2016 Wei ..... D23/207

2005/0011824 A1 \* 1/2005 Vetterli ..... A47J 31/605  
210/282  
2014/0048469 A1 \* 2/2014 Wilder ..... B01D 29/56  
210/232  
2020/0054982 A1 \* 2/2020 Decoster ..... B01D 46/0005

**FOREIGN PATENT DOCUMENTS**

IL 47559 \* 4/2009  
IL 59794 \* 1/2017

**OTHER PUBLICATIONS**

Technologies Strauss, announced Date unavailable[online], [site visited Dec. 17, 2020]. Available from internet, URL:<<https://strauss-water.com/technologies?csr=3412061661174008532>> (Year: 2020).\*

(Continued)

*Primary Examiner* — Barbara Fox

*Assistant Examiner* — Jamaal Rasheed

(74) *Attorney, Agent, or Firm* — Vorys, Sater, Seymour and Pease LLP; William L. Klima

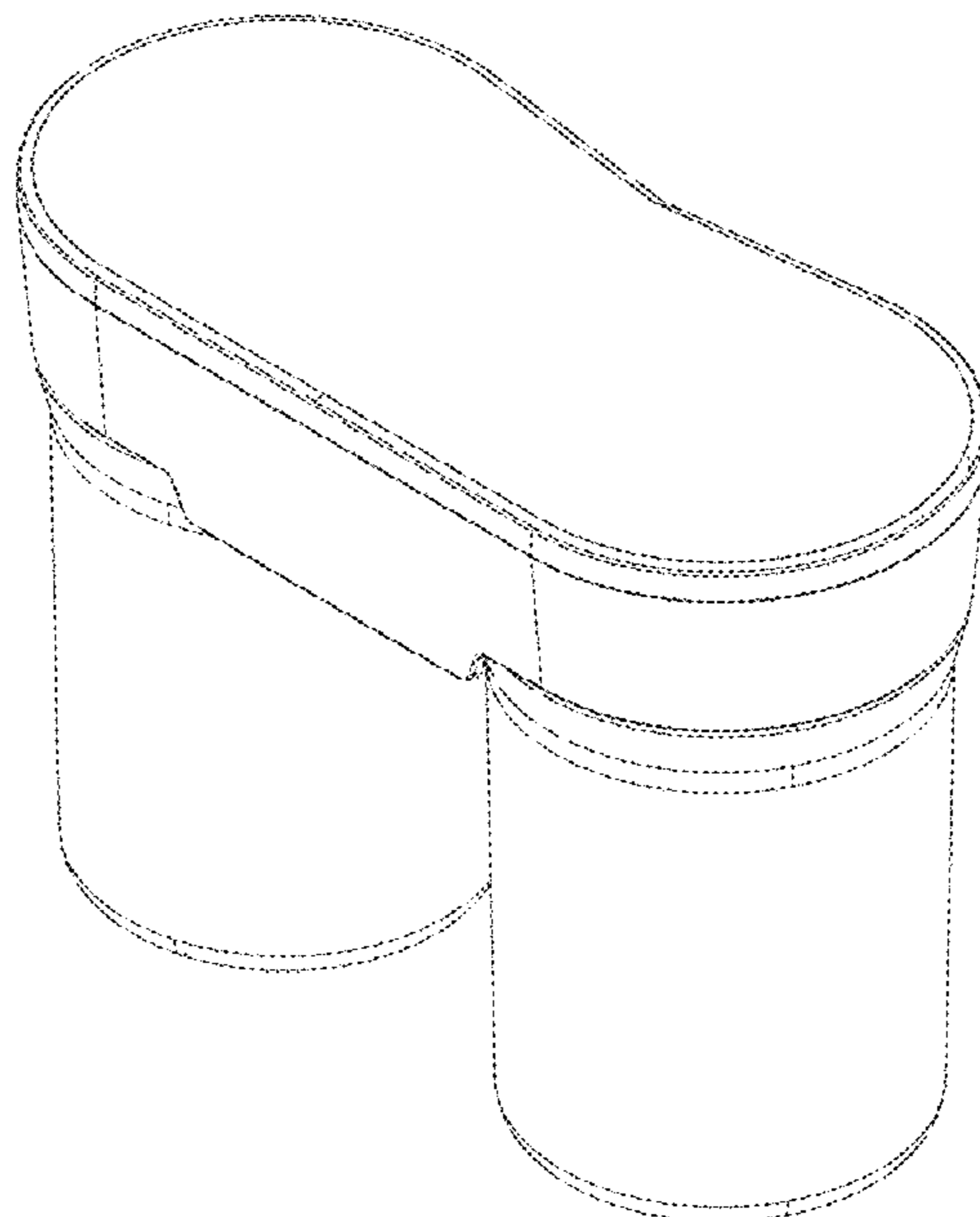
(57) **CLAIM**

The ornamental design for a water filter, as shown and described.

**DESCRIPTION**

FIG. 1 is a top and front perspective view of a new design for a water filter;  
FIG. 2 is a top and rear perspective view thereof;  
FIG. 3 is a bottom and front perspective view thereof;  
FIG. 4 is a bottom and rear perspective view thereof;  
FIG. 5 is another bottom and rear perspective view thereof;  
FIG. 6 is a top view thereof;  
FIG. 7 is a bottom view thereof;  
FIG. 8 is a front view thereof;  
FIG. 9 is a rear view thereof;  
FIG. 10 is a left side view thereof; and,  
FIG. 11 is a right side view thereof.

**1 Claim, 11 Drawing Sheets**



(56)

**References Cited**

OTHER PUBLICATIONS

Home Water Filter, announced Aug. 20, 2018[online], [site visited Dec. 17, 2020]. Available from internet, URL:<<https://www.amazon.ca/dp/B07DM1GGL2>> (Year: 2020).\*

Virgin Pure, posted Oct. 3, 2017 [online], [retrieved Dec. 17, 2020]. Retrieved from internet, <https://www.youtube.com/watch?v=UtxWTILzRZs> (on or around timestamp 2:53 into the video) (Year: 2017).\*

\* cited by examiner

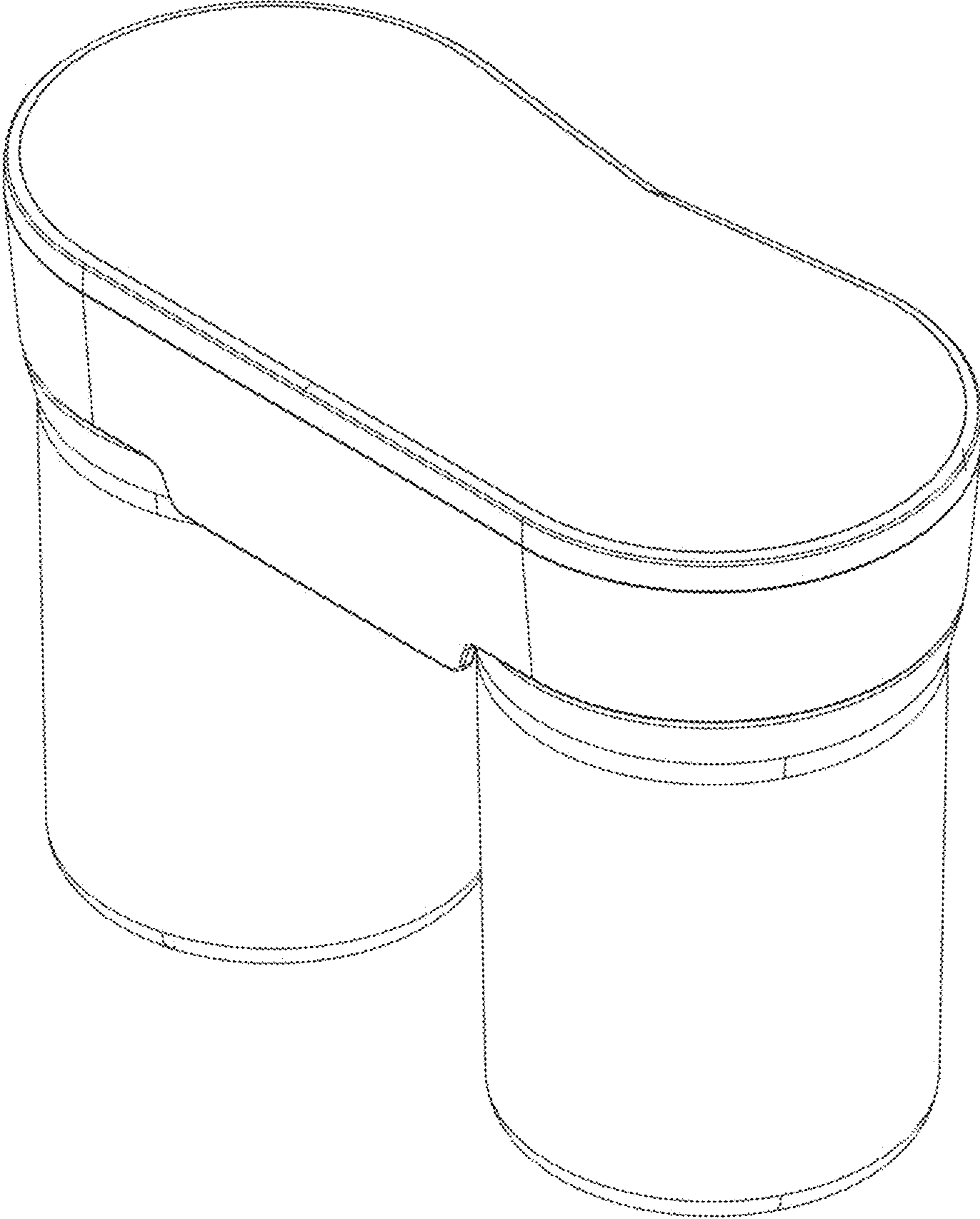


FIG. 1

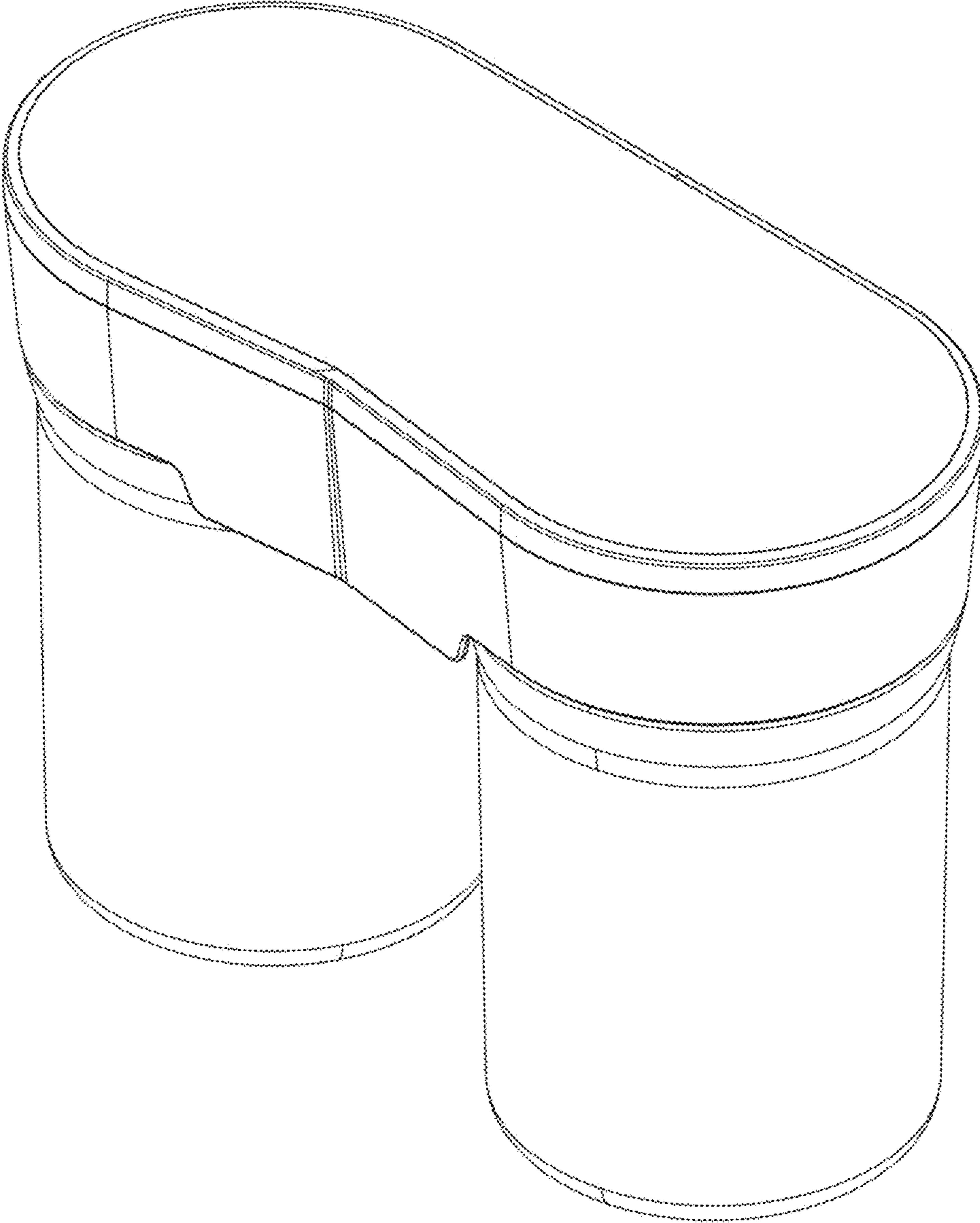


FIG. 2

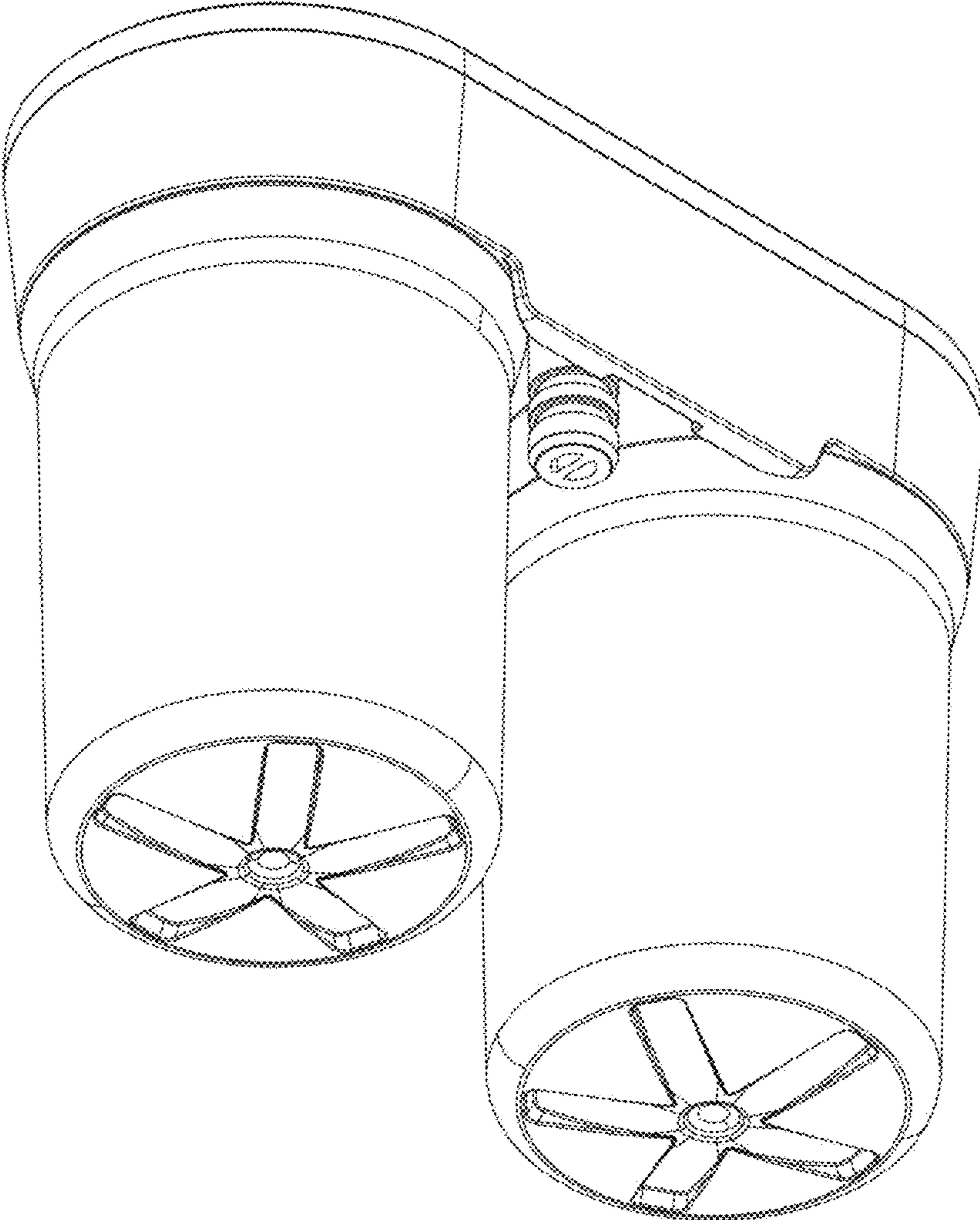


FIG. 3

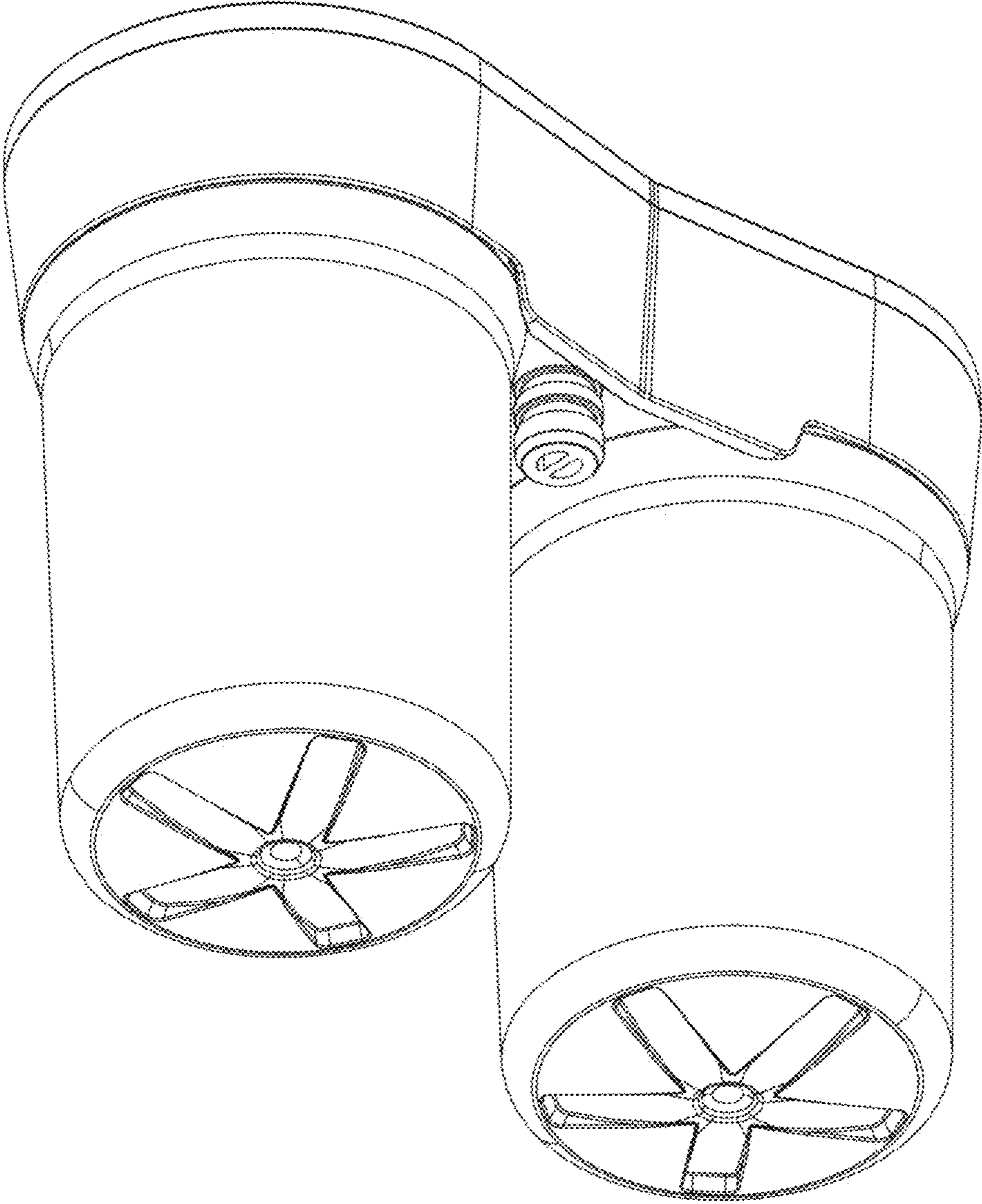


FIG. 4

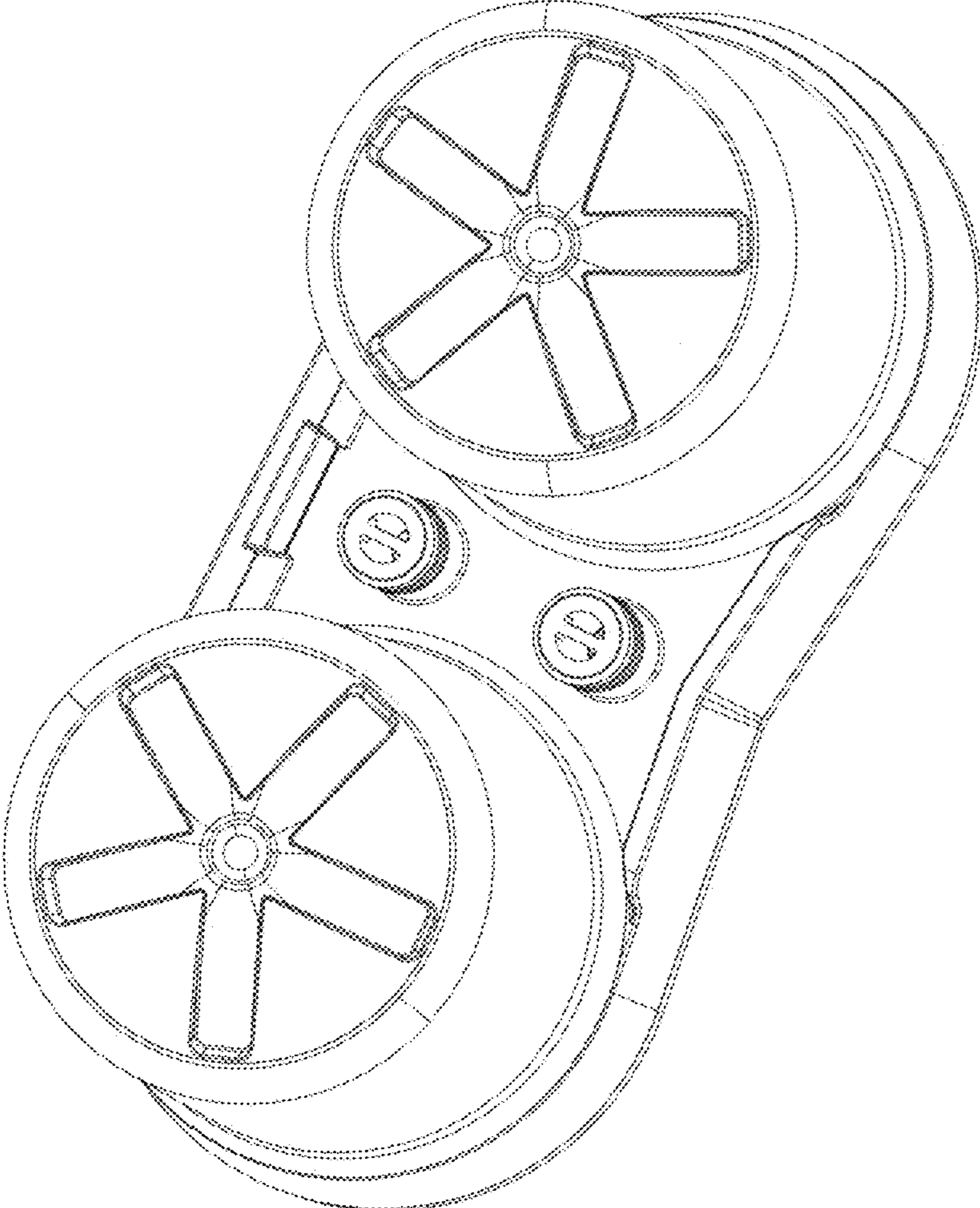


FIG. 5

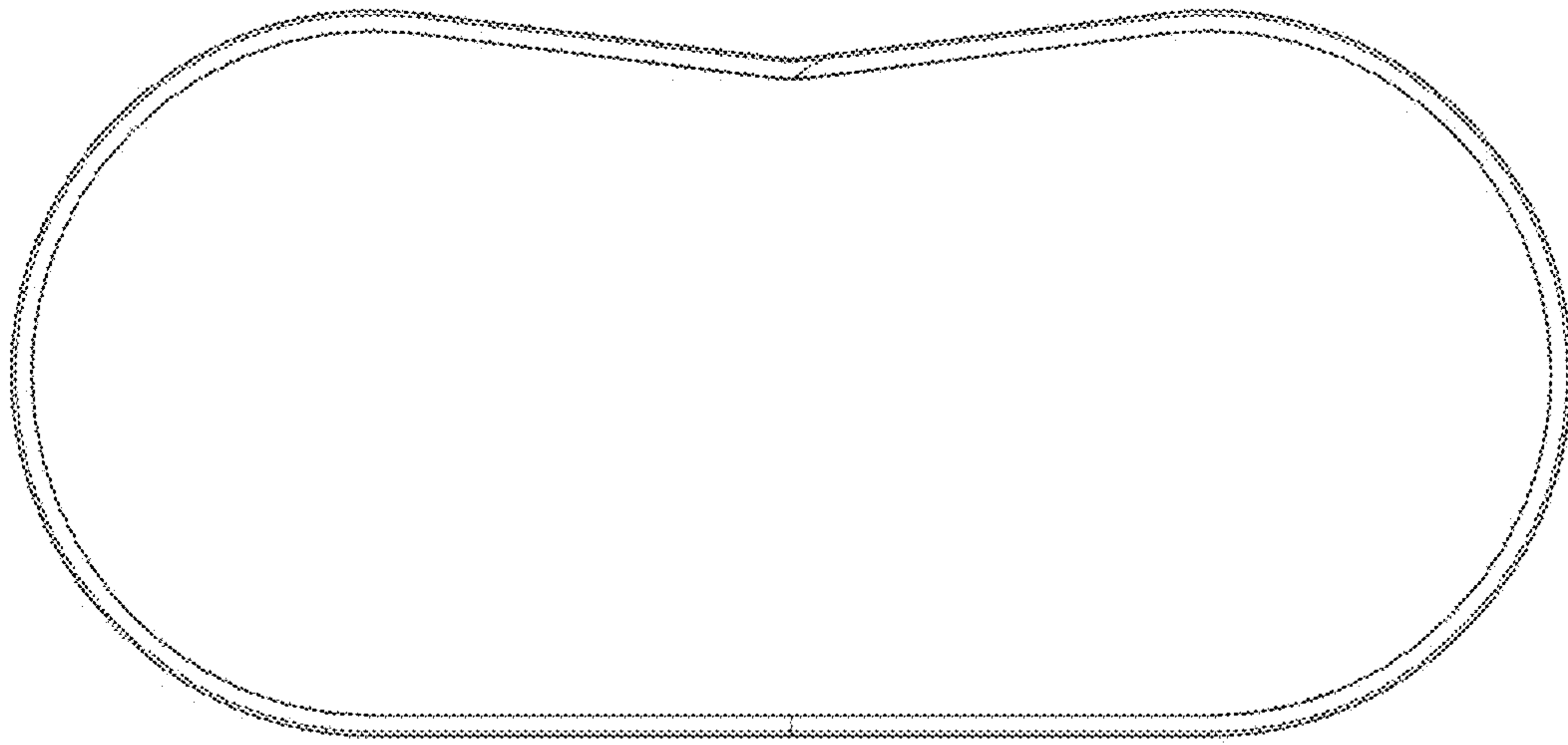


FIG. 6



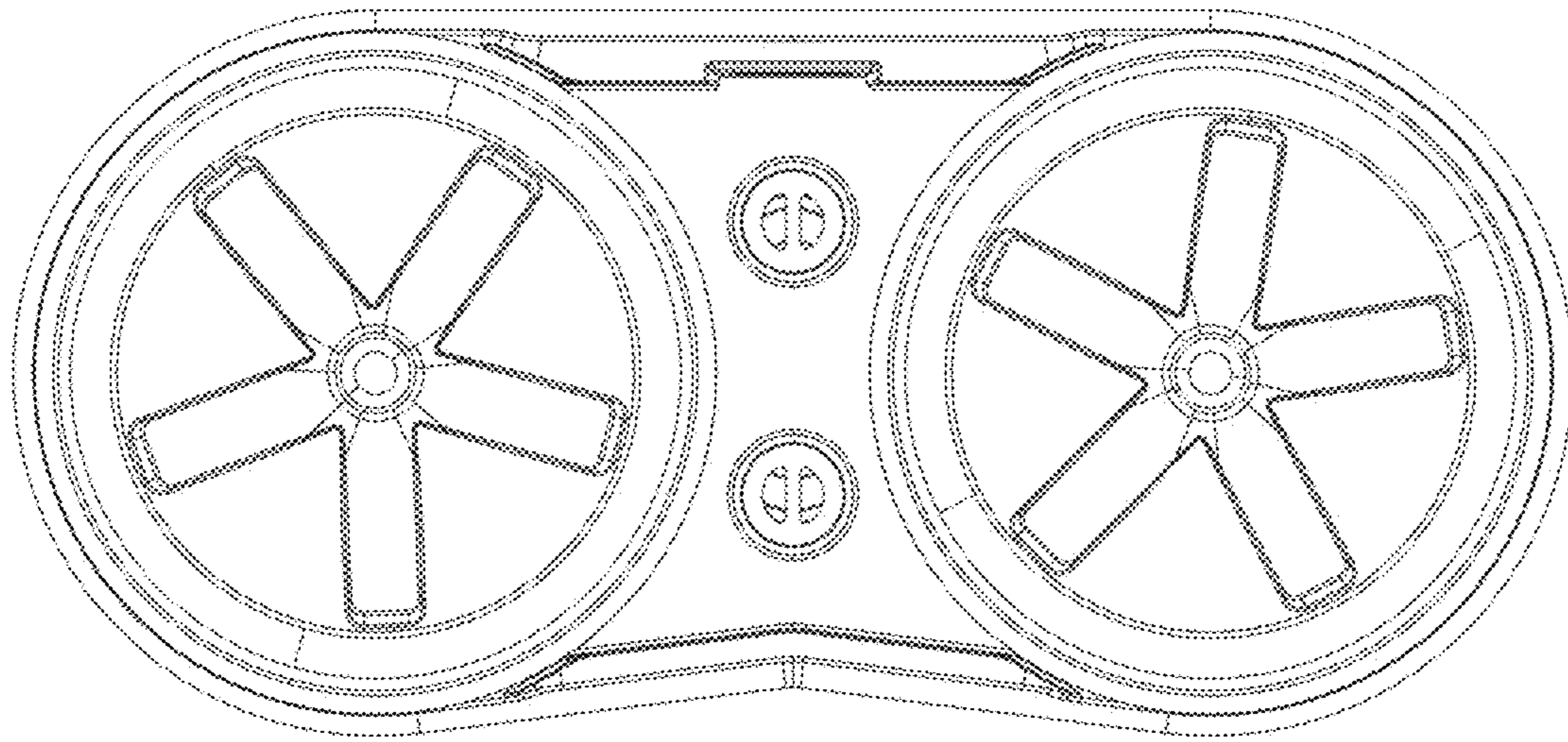


FIG. 7

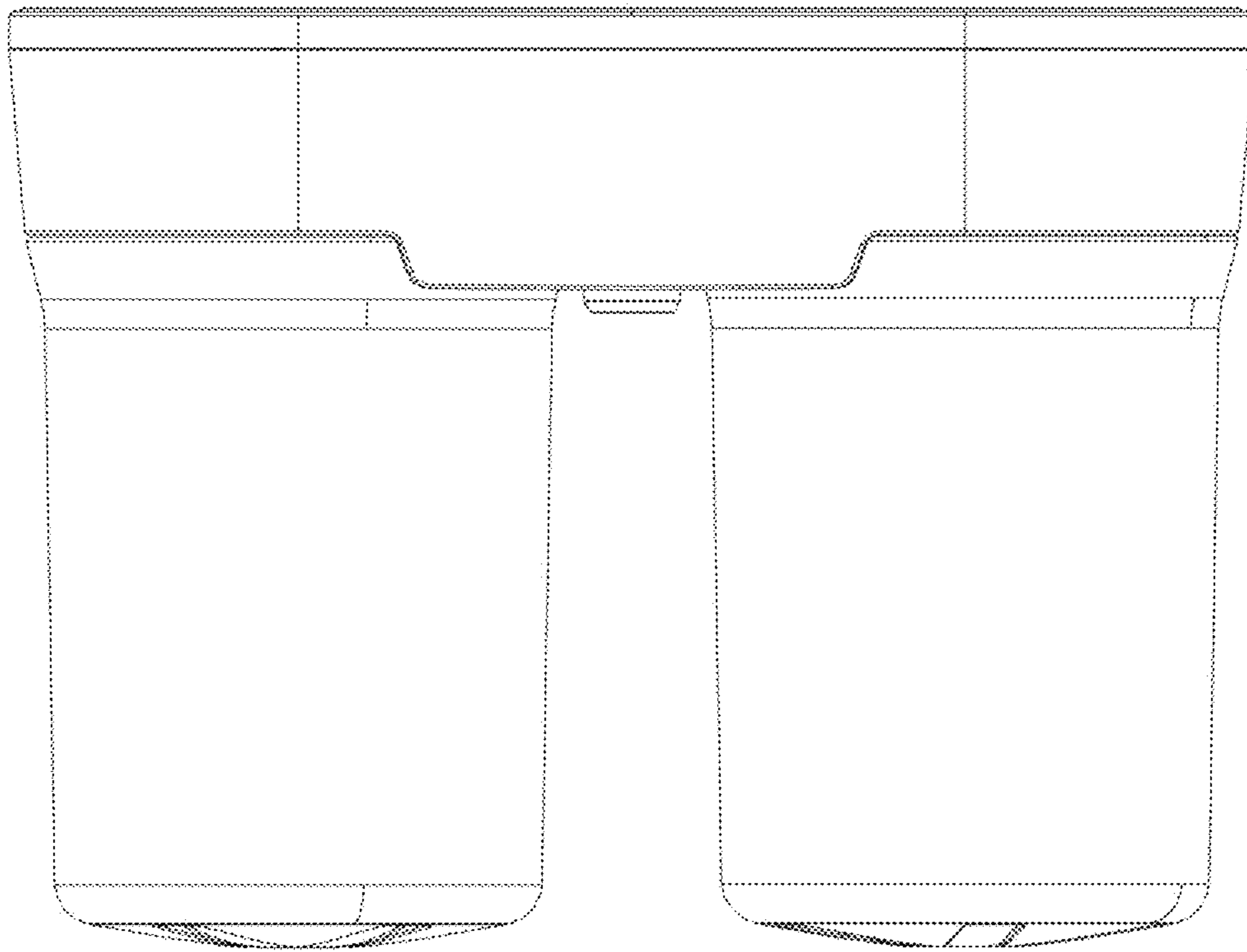


FIG. 8

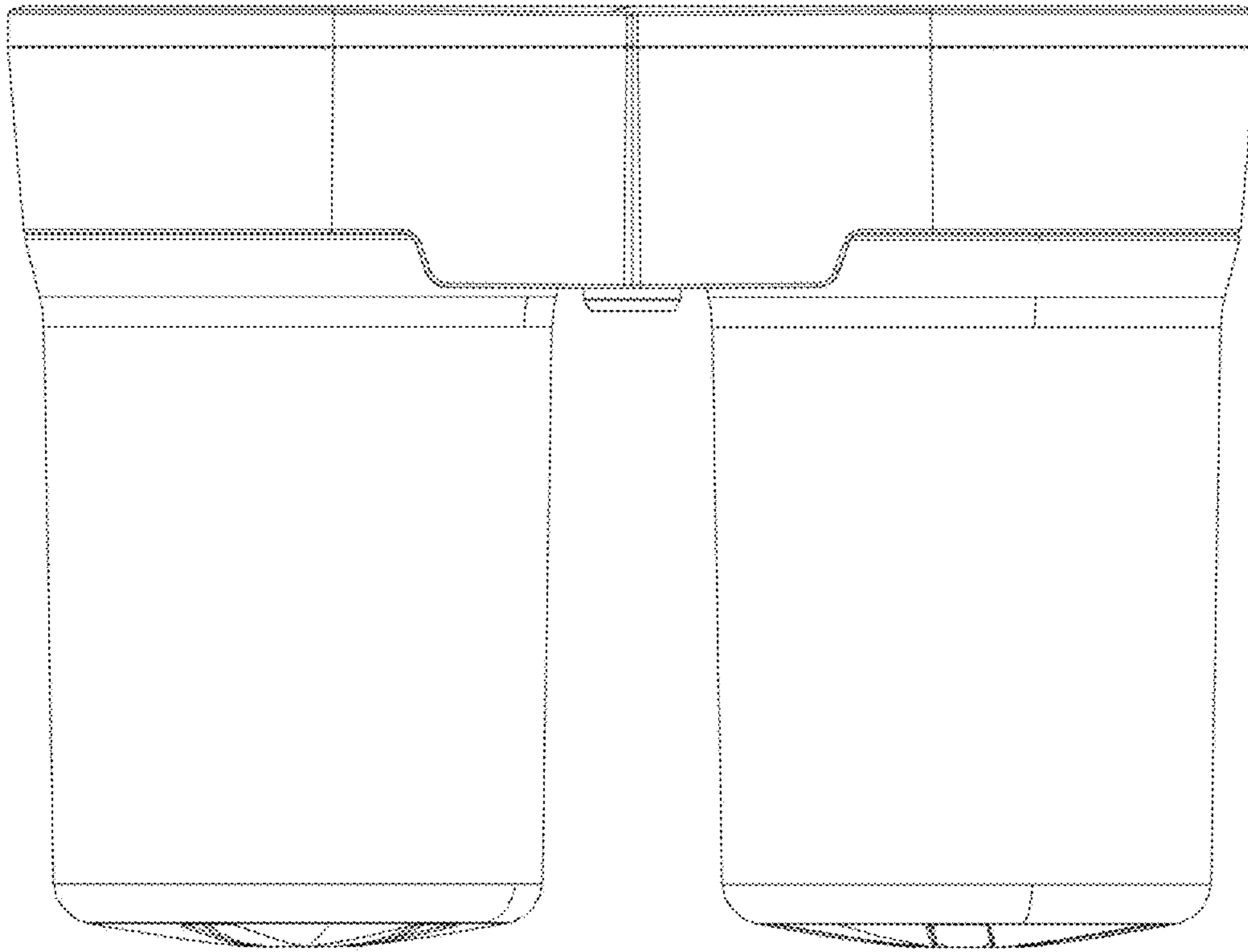


FIG. 9

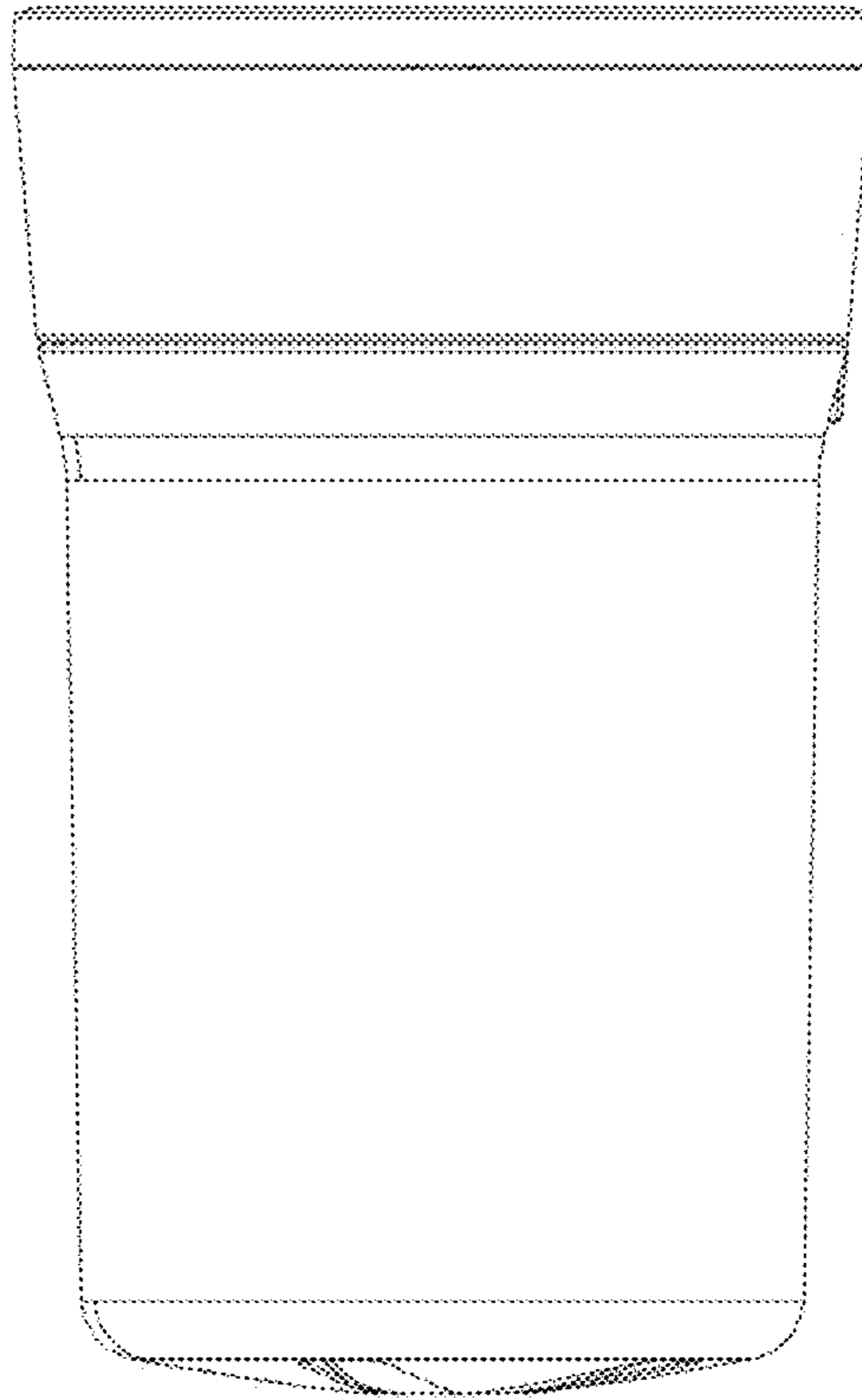


FIG. 10

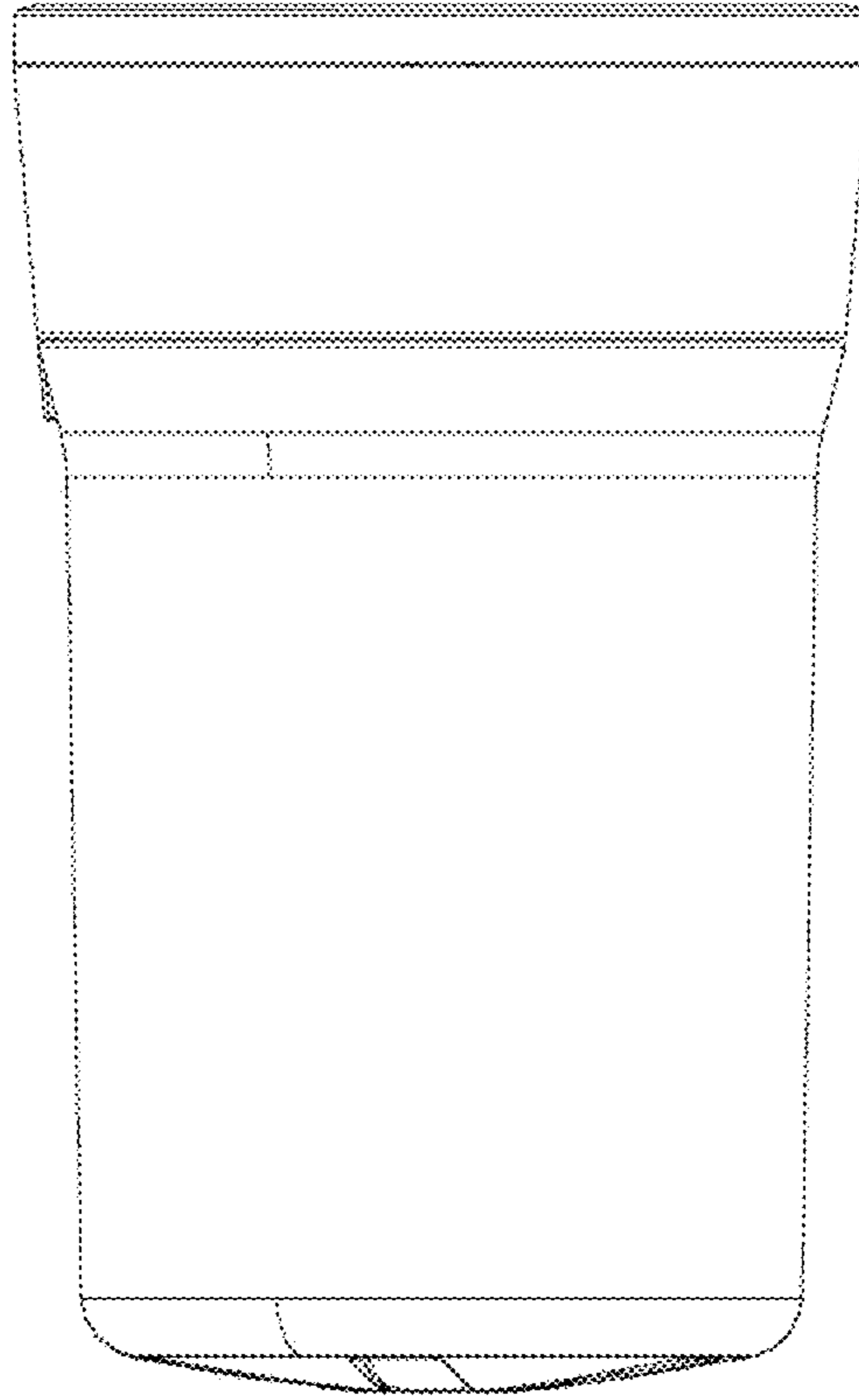


FIG. 11