



US00D914838S

(12) **United States Design Patent** (10) **Patent No.:** **US D914,838 S**  
**Grover et al.** (45) **Date of Patent:** **\*\* Mar. 30, 2021**

(54) **CARTRIDGE**

3,694,354 A 9/1972 Nolte, Jr.  
3,768,104 A 10/1973 Sanderson  
3,867,101 A 2/1975 Herring  
(Continued)

(71) Applicant: **AS AMERICA, INC.**, Piscataway, NJ  
(US)

(72) Inventors: **David Grover**, Stockton, NJ (US);  
**Corey Petersen**, Bordentown, NJ (US);  
**Ki Bok Song**, Plainview, NY (US)

**FOREIGN PATENT DOCUMENTS**

AU 750000 B2 7/2002  
BR PI1005206 A2 3/2013  
(Continued)

(73) Assignee: **AS AMERICA INC.**, Piscataway, NJ  
(US)

**OTHER PUBLICATIONS**

(\*\*) Term: **15 Years**

FluidTalk Blog; Fluidmaster, Flush n' Sparkle Voted Best Toilet  
Cleaning Product, Apr. 29, 2014, <http://www.fluidmaster.com/blog/flush-n-sparkle> (4 pages).

(21) Appl. No.: **29/661,476**

(Continued)

(22) Filed: **Aug. 28, 2018**

**Related U.S. Application Data**

(63) Continuation of application No. 15/415,502, filed on  
Jan. 25, 2017, now Pat. No. 10,465,366, which is a  
continuation-in-part of application No. 14/723,003,  
filed on May 27, 2015, now Pat. No. 10,294,643.

*Primary Examiner* — Sheryl Lane

*Assistant Examiner* — Calvin E Vansant

(74) *Attorney, Agent, or Firm* — Venable LLP; Michele  
V. Frank

(51) **LOC (13) Cl.** ..... **23-01**

(57) **CLAIM**

(52) **U.S. Cl.**

The ornamental design for a cartridge, as shown and  
described.

USPC ..... **D23/209**

(58) **Field of Classification Search**

**DESCRIPTION**

USPC ..... D23/202, 205, 207, 259, 260, 262  
CPC ..... B01D 2201/29; B01D 2201/30; B01D  
2201/301; B01D 2201/302; B01D  
2201/306; B01D 2201/309; B01D 35/30;  
C02F 1/002; C02F 1/003  
See application file for complete search history.

FIG. 1 is a perspective view of a cartridge, showing our new  
design;  
FIG. 2 is a front view of the cartridge of FIG. 1;  
FIG. 3 is a rear view of the cartridge of FIG. 1;  
FIG. 4 is a left view of the cartridge of FIG. 1;  
FIG. 5 is a right view of the cartridge of FIG. 1;  
FIG. 6 is a top view of the cartridge of FIG. 1; and,  
FIG. 7 is a bottom of the cartridge of FIG. 1.

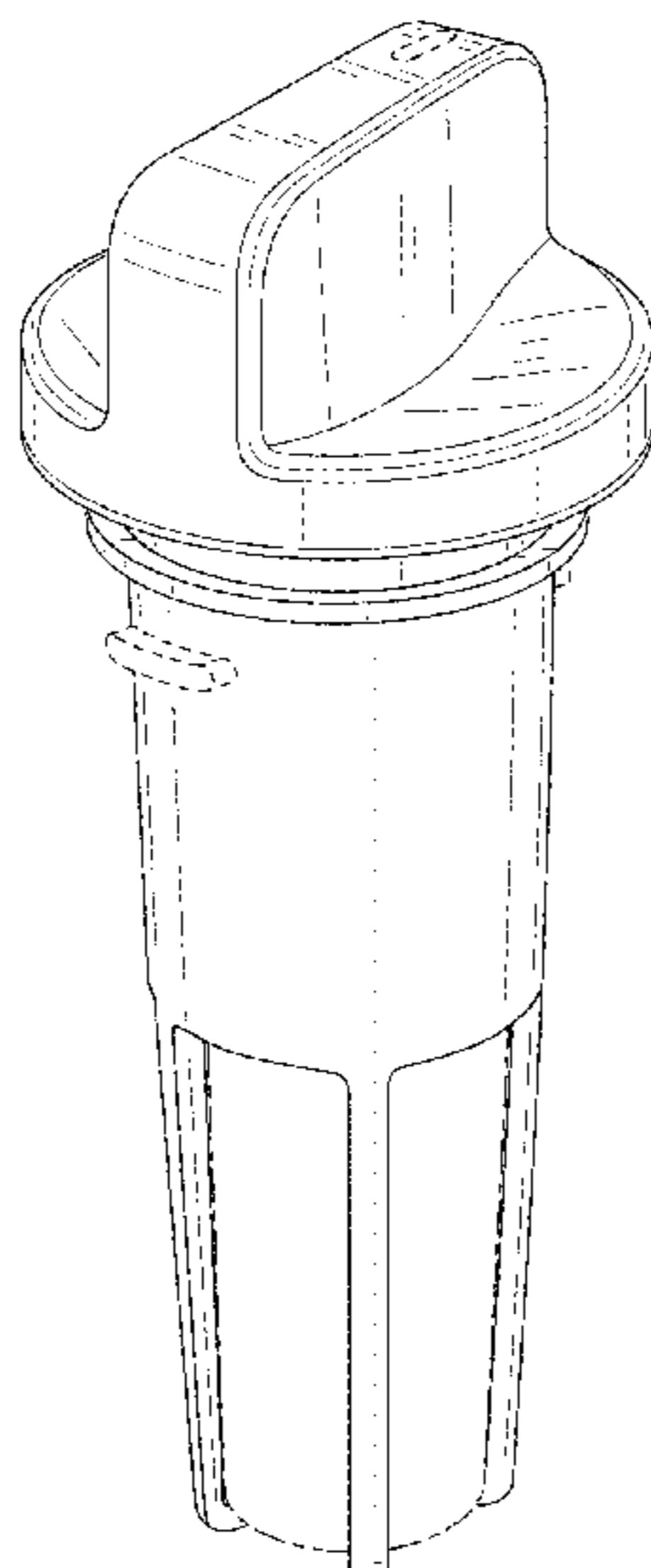
In the drawings, the dashed broken lines depict portions of  
the Cartridge that form no part of the claim. The dot-dash  
broken lines represent the boundary of the claimed design  
and form no part of the claim.

(56) **References Cited**

**U.S. PATENT DOCUMENTS**

1,178,852 A 4/1916 Grant  
1,211,137 A 1/1917 Grant  
2,950,959 A 8/1960 Ve Relle  
3,289,847 A \* 12/1966 Rothmund ..... B01D 29/58  
210/266

**1 Claim, 4 Drawing Sheets**



(56)

References Cited

U.S. PATENT DOCUMENTS

3,943,243 A 3/1976 Kook  
 3,946,448 A 3/1976 Sioufy  
 4,117,560 A 10/1978 Kidon et al.  
 4,216,027 A 8/1980 Wages  
 4,229,410 A 10/1980 Kosti  
 4,382,304 A 5/1983 Lehmann  
 4,432,102 A 2/1984 Woodruff et al.  
 4,450,594 A 5/1984 Hotchkin  
 4,557,926 A 12/1985 Nelson et al.  
 4,561,130 A 12/1985 Bumgardner et al.  
 4,597,941 A 7/1986 Bottom et al.  
 4,654,341 A 3/1987 Nelson et al.  
 4,668,475 A 5/1987 Meloy  
 4,707,866 A 11/1987 von Philipp et al.  
 4,709,423 A 12/1987 Richards  
 4,745,638 A 5/1988 Richards  
 D296,463 S \* 6/1988 Padilla ..... B01D 35/153  
 D23/207  
 4,800,066 A 1/1989 Sinclair et al.  
 4,882,055 A \* 11/1989 Stamstad ..... B01D 29/111  
 210/483  
 4,915,260 A 4/1990 Jones  
 D320,640 S \* 10/1991 Goodwin ..... A47J 31/605  
 D23/209  
 D338,705 S \* 8/1993 Spokoiny ..... D23/209  
 5,603,126 A 2/1997 Scoggins  
 5,689,837 A 11/1997 Katona  
 5,759,574 A 6/1998 Bothe  
 5,778,459 A 7/1998 Guerin  
 5,881,396 A 3/1999 Rivera  
 5,910,475 A 6/1999 Neumiller et al.  
 5,924,142 A 7/1999 Wang  
 5,987,655 A 11/1999 Smet  
 6,000,067 A 12/1999 Cascia  
 6,055,679 A 5/2000 Goelz et al.  
 6,124,251 A 9/2000 Rader et al.  
 6,151,722 A 11/2000 Lubrano  
 6,211,128 B1 4/2001 Black  
 6,247,189 B1 6/2001 Dean et al.  
 6,321,392 B1 11/2001 Sim  
 6,339,850 B1 1/2002 Gore  
 6,341,385 B1 1/2002 Downes  
 6,440,915 B2 8/2002 Rader et al.  
 6,447,722 B1 9/2002 Rakestraw  
 6,449,779 B1 9/2002 Nguyen  
 6,651,260 B1 11/2003 Dodson  
 6,662,379 B2 12/2003 Nguyen et al.  
 6,713,441 B1 3/2004 DeSenna et al.  
 6,790,353 B2 9/2004 Connelly, Jr.  
 D496,985 S \* 10/2004 King ..... D23/209  
 6,833,340 B2 12/2004 Lefenfeld et al.  
 7,007,312 B1 3/2006 Sim  
 7,073,209 B1 7/2006 McCormick  
 7,234,175 B2 6/2007 Wilson et al.  
 D579,515 S \* 10/2008 Bell ..... D23/209  
 7,563,756 B2 7/2009 Brady  
 7,721,358 B2 5/2010 Park et al.  
 7,934,271 B2 5/2011 Soller et al.  
 8,095,997 B2 1/2012 Harris  
 8,209,788 B2 7/2012 Takamine et al.  
 8,266,728 B2 9/2012 Bulala et al.  
 8,307,467 B2 11/2012 Bulala et al.  
 8,316,475 B2 11/2012 Grover  
 8,484,791 B2 7/2013 Lin  
 8,631,518 B1 1/2014 Jennings  
 8,631,519 B1 1/2014 Belliard et al.  
 8,719,971 B2 5/2014 Burt et al.  
 8,806,668 B2 8/2014 Lin et al.  
 8,925,119 B2 1/2015 Burt  
 D729,343 S \* 5/2015 Melzer ..... D23/209  
 D755,345 S \* 5/2016 Luthi ..... A23D 9/007  
 D23/209  
 10,124,281 B2 \* 11/2018 Heilman ..... B01D 35/153  
 D855,420 S \* 8/2019 Dubiel ..... D8/1

10,391,427 B2 \* 8/2019 Dani ..... B01D 27/08  
 D881,336 S \* 4/2020 Dani ..... B01D 29/216  
 D23/209  
 D882,338 S \* 4/2020 Bellman ..... A23D 9/007  
 D7/400  
 2002/0061831 A1 5/2002 Kaziska et al.  
 2003/0075205 A1 4/2003 Roberson  
 2004/0040074 A1 3/2004 Leonard et al.  
 2004/0099562 A1 5/2004 Vazquez  
 2004/0128750 A1 7/2004 Cramer  
 2005/0204459 A1 9/2005 Selenke  
 2005/0247725 A1 11/2005 Smith  
 2006/0130221 A1 6/2006 Bulala et al.  
 2006/0137081 A1 6/2006 Ferrara et al.  
 2006/0242754 A1 11/2006 Coppock  
 2007/0039087 A1 2/2007 Bringmann  
 2007/0214555 A1 9/2007 Ferrara et al.  
 2007/0256226 A1 11/2007 Pinizzotto  
 2007/0289054 A1 12/2007 Han et al.  
 2008/0028505 A1 2/2008 Penn  
 2009/0217447 A1 9/2009 Matsushita et al.  
 2009/0241247 A1 10/2009 Thurin et al.  
 2009/0265842 A1 10/2009 Higgins et al.  
 2010/0180365 A1 7/2010 Shasho  
 2013/0298320 A1 11/2013 Duncan  
 2013/0305445 A1 11/2013 Stammel et al.  
 2015/0013058 A1 1/2015 Bucher et al.  
 2015/0074888 A1 3/2015 Coulter et al.  
 2015/0345123 A1 12/2015 Grover et al.  
 2017/0119205 A1 \* 5/2017 Powell ..... A47J 31/605  
 2018/0250615 A1 \* 9/2018 Dani ..... B01D 29/96

FOREIGN PATENT DOCUMENTS

CN 102899197 B 6/2014  
 DE 2460109 A1 6/1976  
 DE 3805561 A1 8/1989  
 DE 29714817 U1 4/1998  
 DE 10246866 A1 4/2004  
 EP 0070720 B1 10/1986  
 EP 1046756 A1 10/2000  
 EP 1426505 A3 4/2005  
 EP 1533427 A1 5/2005  
 EP 1561870 A1 8/2005  
 EP 1087067 B1 10/2005  
 EP 1640517 A1 3/2006  
 EP 2620489 A1 7/2013  
 EP 2620490 A1 7/2013  
 EP 2141221 A1 10/2013  
 EP 2775052 A1 9/2014  
 EP 2789754 A3 3/2016  
 FR 2572919 A1 5/1986  
 FR 2775995 B1 9/2000  
 FR 2808819 A1 11/2001  
 FR 2916772 A1 12/2008  
 FR 2970488 A1 7/2012  
 GB 17085 1/1910  
 GB 466414 A 5/1937  
 JP 03-50677 U 5/1991  
 JP 3015390 U 8/1995  
 JP 2014055446 A 3/2014  
 WO 199316242 A1 8/1993  
 WO 1997017571 A1 5/1997  
 WO 2001006067 A2 1/2001  
 WO 2007010311 A1 1/2007  
 WO 2008062364 A1 5/2008  
 WO 2008145962 A1 12/2008  
 WO 2010087700 A2 8/2010  
 WO 2015072848 A1 5/2015  
 WO 2015133976 A1 9/2015  
 WO 2016096369 A1 6/2016  
 WO 2016139493 A1 9/2016  
 WO 2016168881 A1 10/2016

OTHER PUBLICATIONS

International Search Report dated Oct. 16, 2015 in corresponding International Application No. PCT/US2015/32648.

(56)

**References Cited**

OTHER PUBLICATIONS

International Search Report with Written Opinion dated Feb. 23, 2018 issued in corresponding International Application No. PCT/US2018/015297 (6 pages).

Japanese Office Action dated Mar. 23, 2018 issued in corresponding Japanese Application No. 2016-568507 with English translation (8 pages).

Colombian Office Action dated May 8, 2018 issued in corresponding Colombian Application No. NC2016/0005109 with English translation (10 pages).

Extended European Search Report dated Jun. 12, 2018 issued in corresponding European Application No. 15799038.3 (8 pages).

Chinese Office Action dated Jul. 23, 2018 issued in corresponding Chinese Application No. 201580026759.X (9 pages).

Office Action in related Japanese Application No. 2016-568507, dated Feb. 25, 2019 (9 pages).

\* cited by examiner



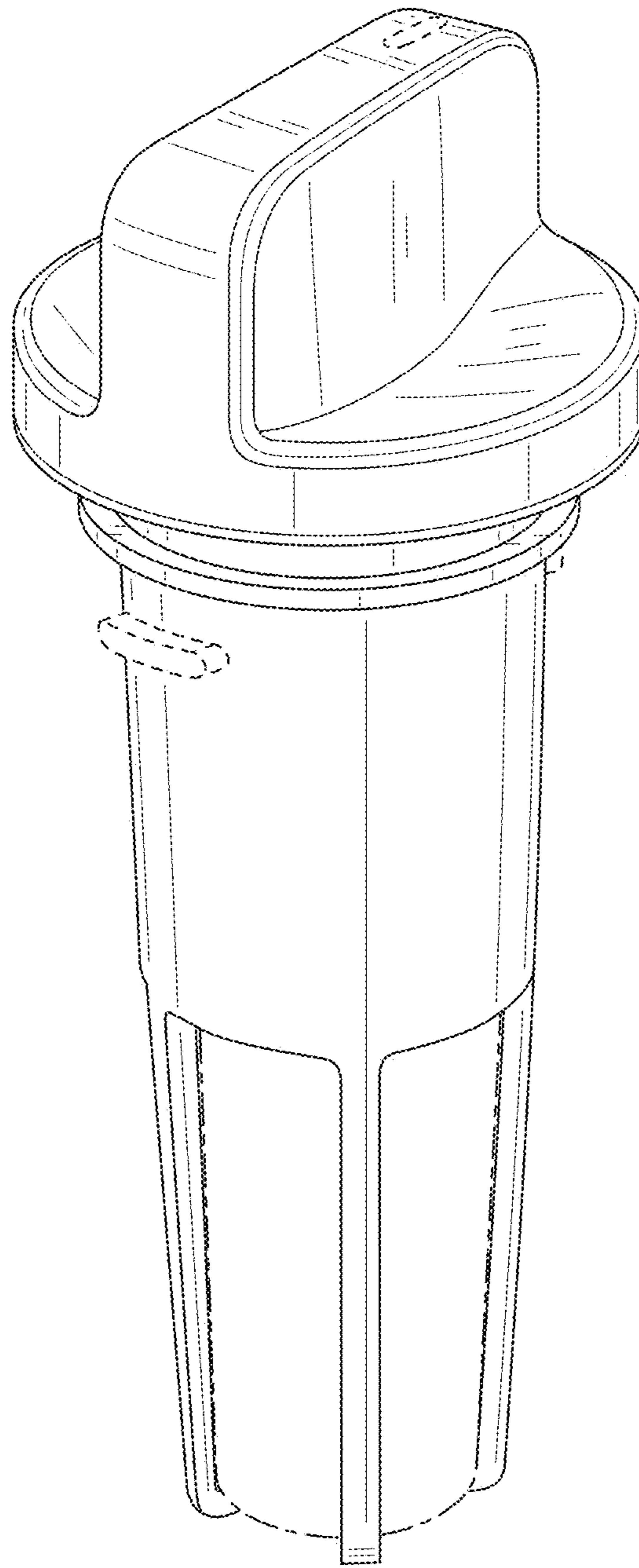


FIG. 1

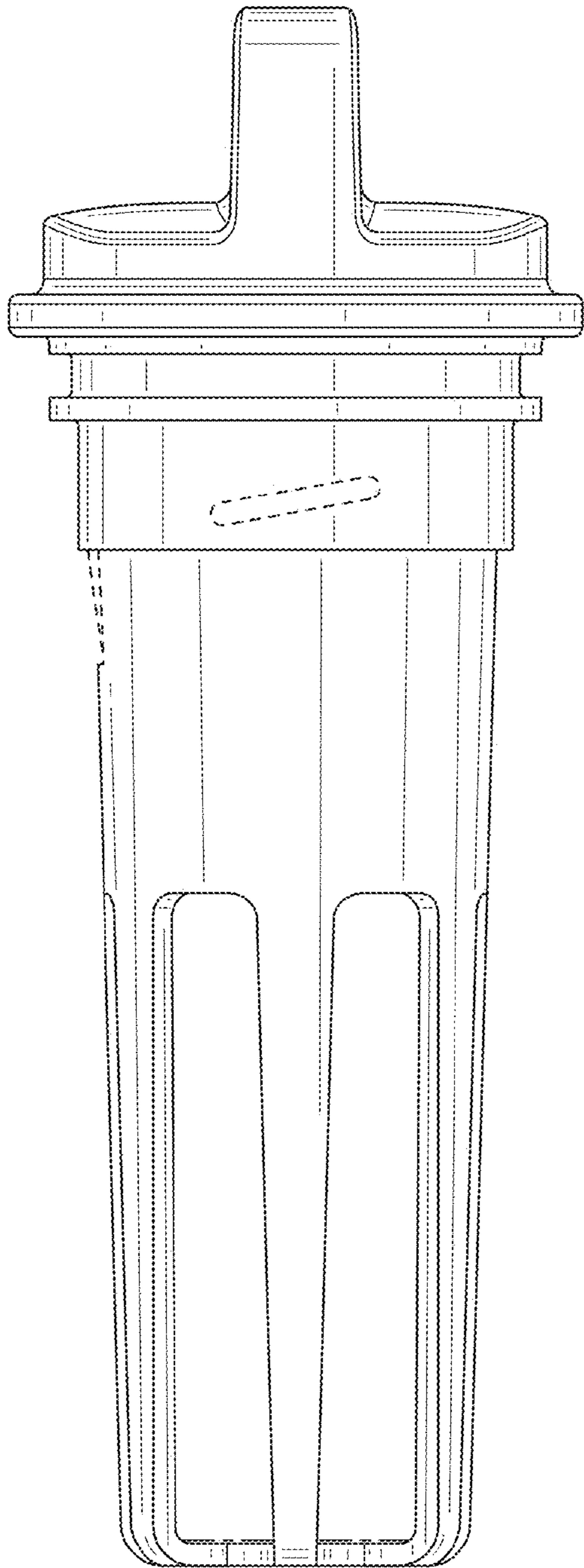


FIG. 2

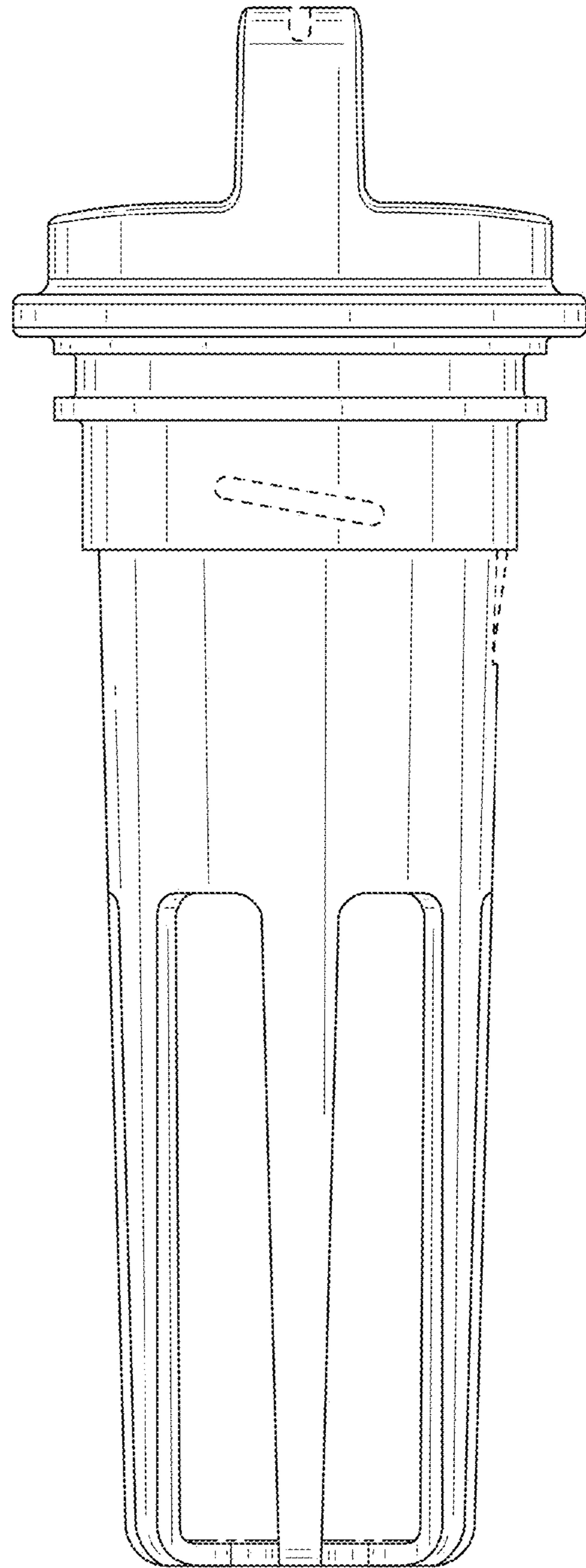


FIG. 3

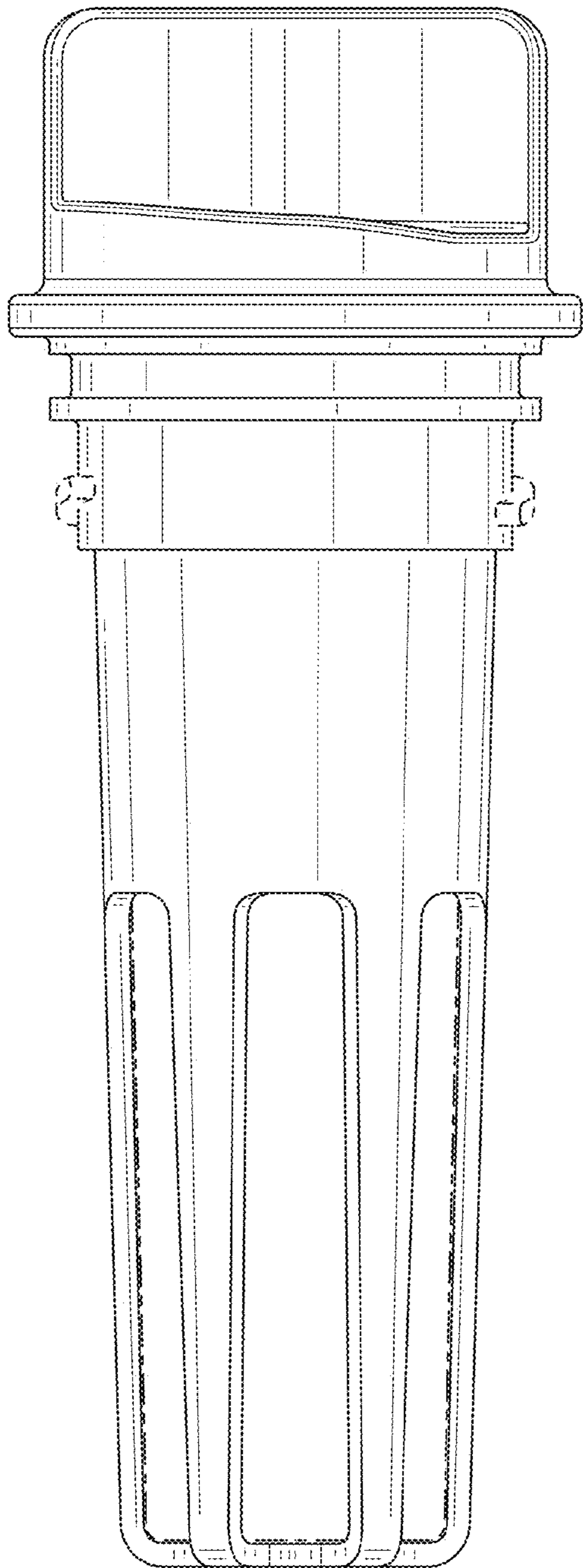


FIG. 4

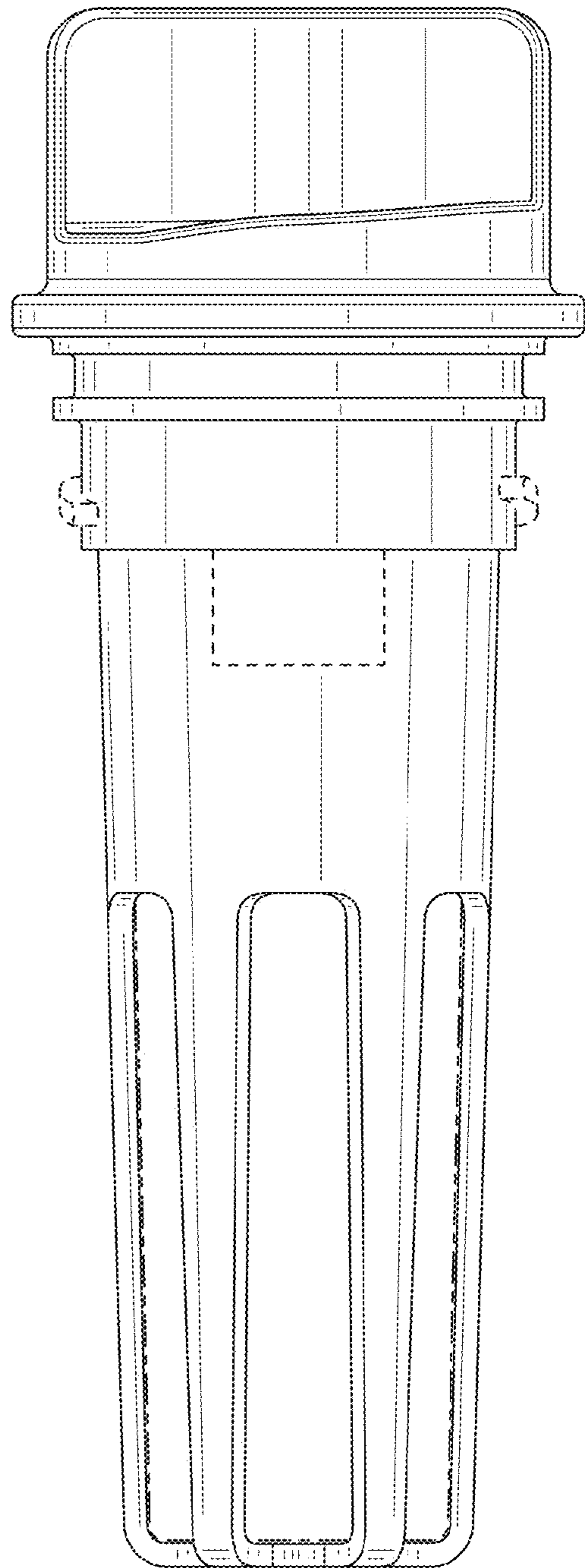


FIG. 5

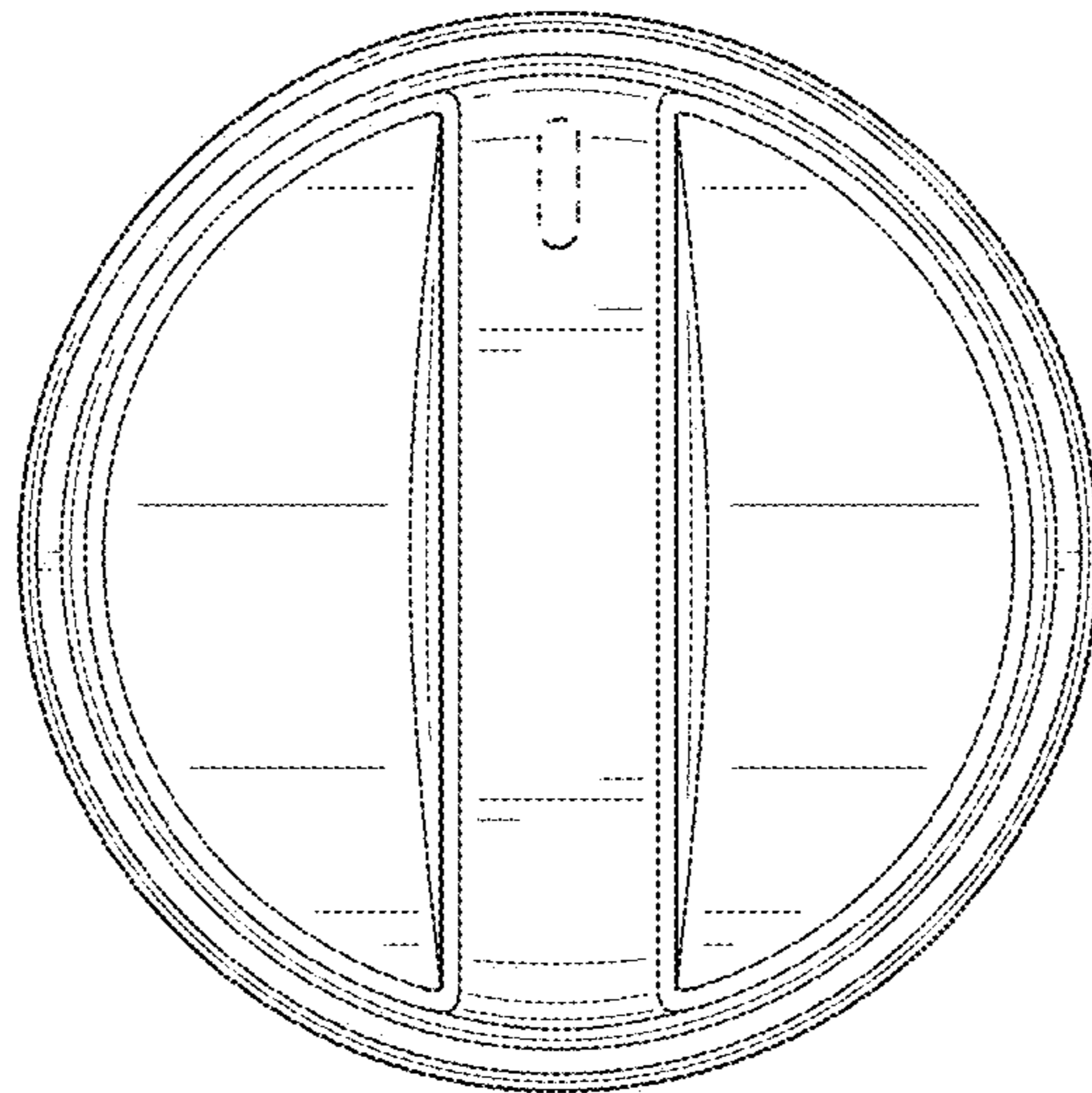


FIG. 6

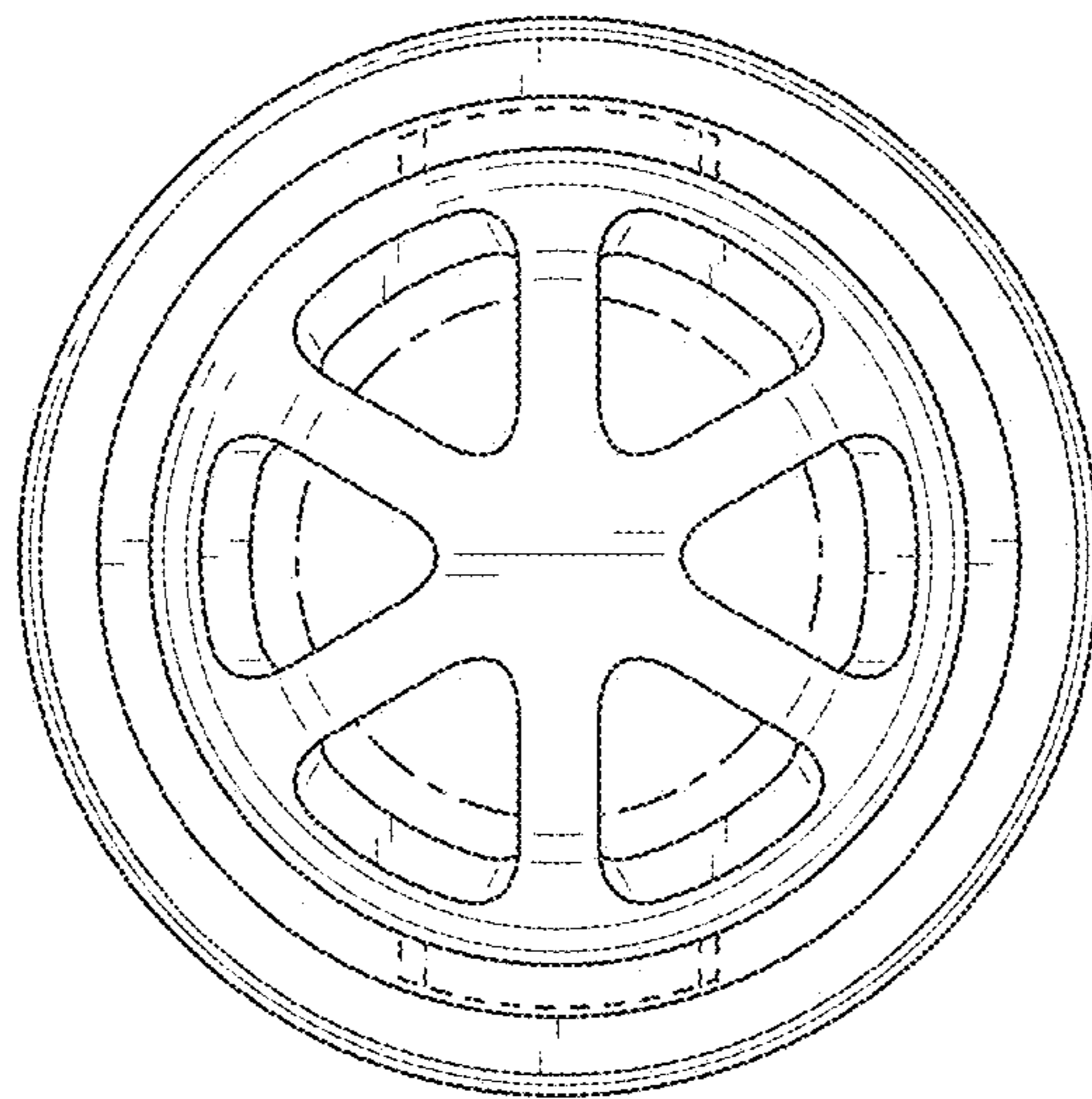


FIG. 7