



US00D914837S

(12) **United States Design Patent** (10) **Patent No.:** **US D914,837 S**
Dubé et al. (45) **Date of Patent:** **** Mar. 30, 2021**

(54) **ELEMENT FOR PURIFICATION OF WATER**

(56) **References Cited**

(71) Applicant: **PREMIER TECH LTÉE**, Québec (CA)

U.S. PATENT DOCUMENTS

(72) Inventors: **Philip Dubé**, Québec (CA); **Yan Gilbert**, Québec (CA); **Béatrice Panaccio**, Québec (CA)

3,520,663	A *	7/1970	Schertel	F01P 5/02 428/582
D415,574	S *	10/1999	Shrira	D25/122
D465,257	S *	11/2002	Van Olst	C02F 3/10 D23/207
D612,007	S *	3/2010	Brockdorff	D23/207
D618,760	S *	6/2010	Flournoy	D23/207
D672,009	S *	12/2012	Flournoy	D23/207
D718,848	S *	12/2014	Norberg	D23/314
D762,279	S *	7/2016	Flournoy	C02F 3/10 D23/207
D785,132	S *	4/2017	Jackson	D23/209
D867,566	S *	11/2019	Seo	F01P 5/02 D23/341

(**) Term: **15 Years**

(21) Appl. No.: **35/508,464**

(22) Filed: **Mar. 12, 2019**

(80) **Hague Agreement Data**

Int. Filing Date: **Mar. 12, 2019**
 Int. Reg. No.: **DM/205391**
 Int. Reg. Date: **Mar. 12, 2019**
 Int. Reg. Pub. Date: **Jan. 31, 2020**

* cited by examiner

Primary Examiner — Keli L Hill

(51) **LOC (13) Cl.** **23-01**

(52) **U.S. Cl.**

USPC **D23/207**; D23/209

(58) **Field of Classification Search**

USPC D23/314, 322, 323, 335, 341, 347, 200,
 D23/206, 207, 209; D25/102, 107–109,
 D25/119, 122, 124–126; D15/79, 81;
 D7/306
 CPC .. F23D 14/06; F25C 1/04; F25C 5/002; F25C
 5/005; F25C 5/046; F25C 5/12; F25C
 5/187; F25C 2700/02; F28F 1/06; F28F
 1/10; F28F 1/18; F28F 1/28; F28F 1/126;
 F28F 1/325; F28F 1/0475

See application file for complete search history.

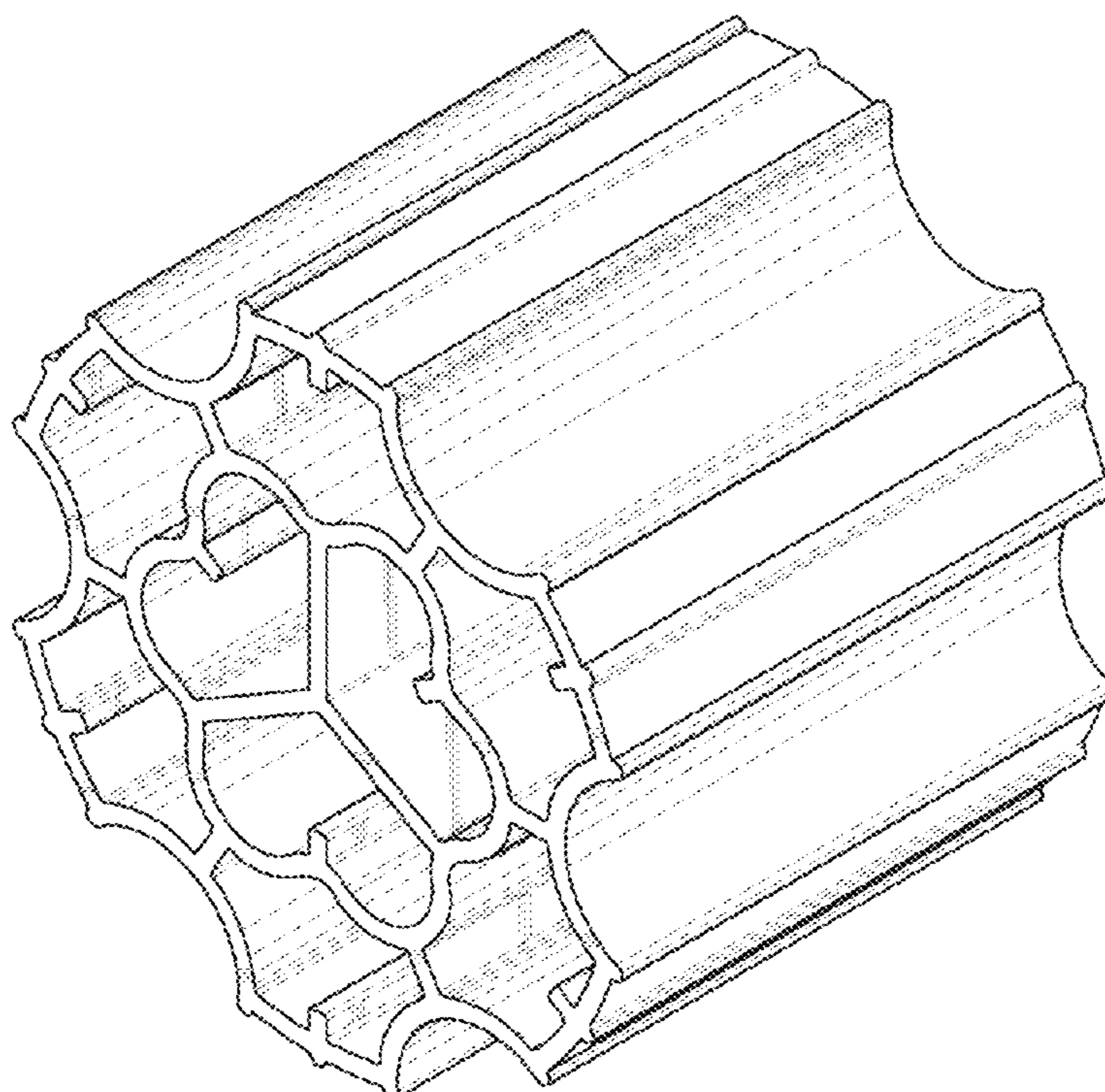
(57) **CLAIM**

The ornamental design for an element for purification of water, as shown and described.

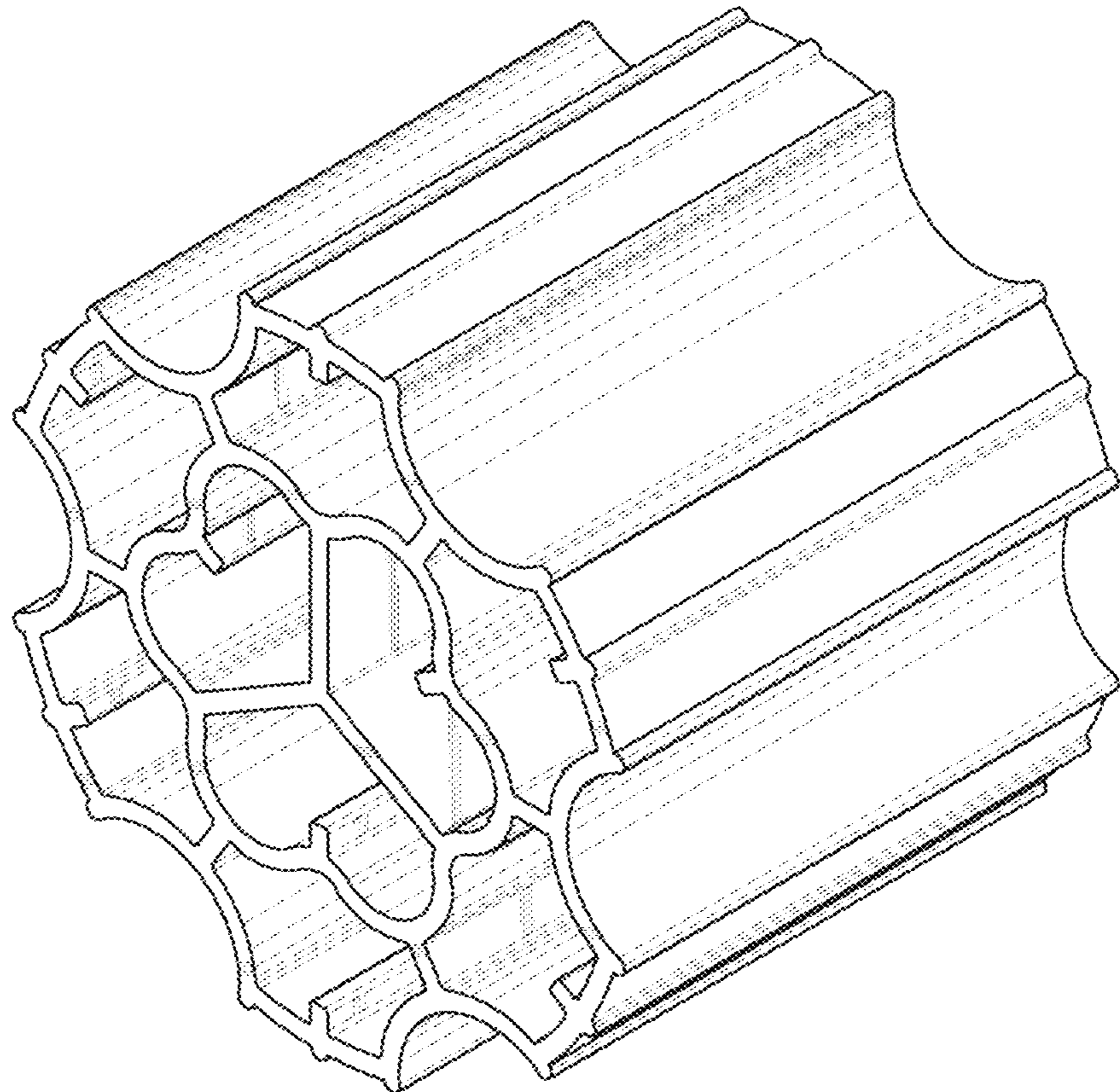
DESCRIPTION

1. Element for purification of water
- 1.1 is a front and side perspective view.
- 1.2 is a front elevation view.
- 1.3 is a right side elevation view, the left side elevation view being a mirror image thereto.
- 1.4 is a top plan view, the bottom plan view being identical thereto.

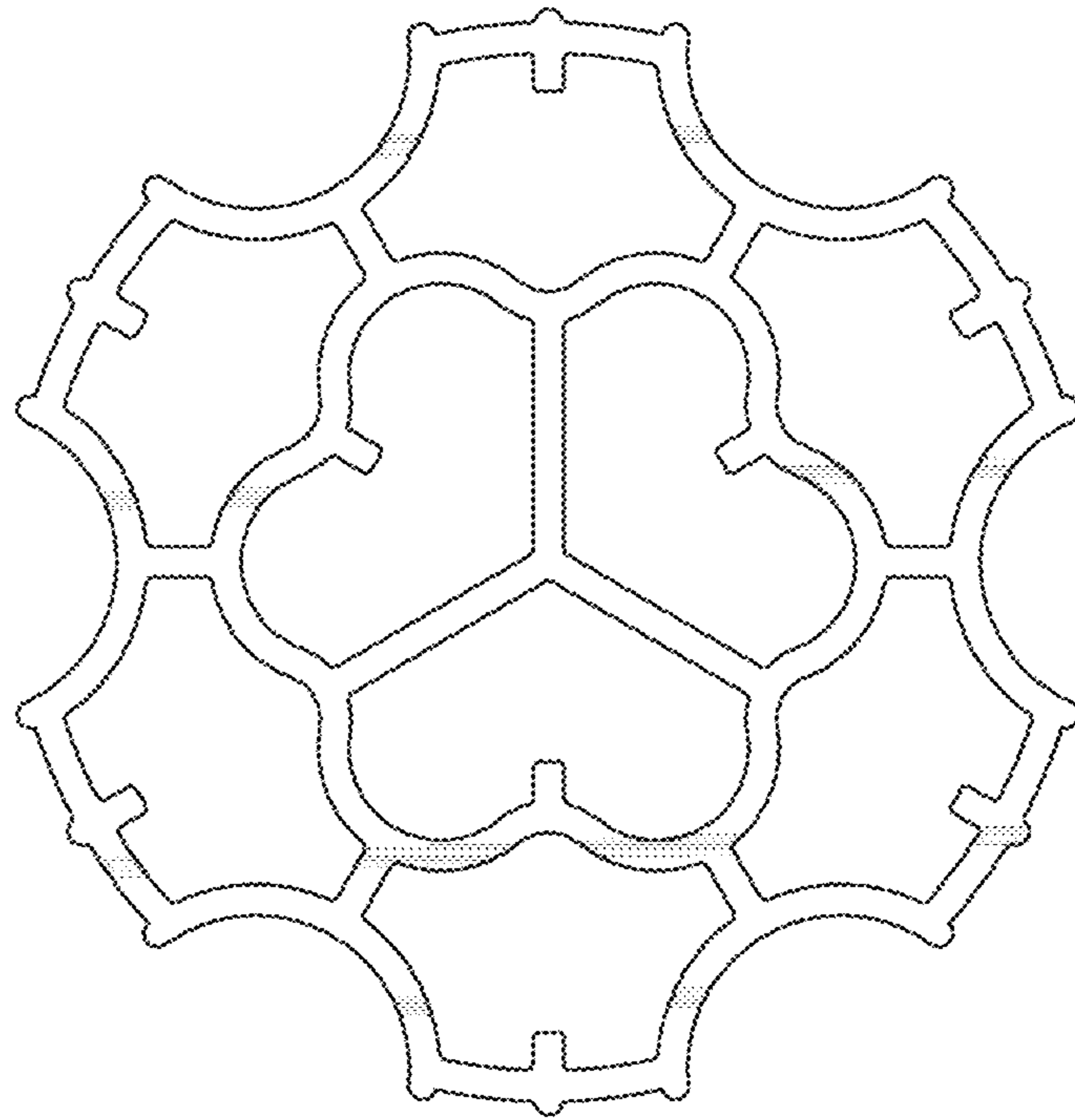
1 Claim, 4 Drawing Sheets



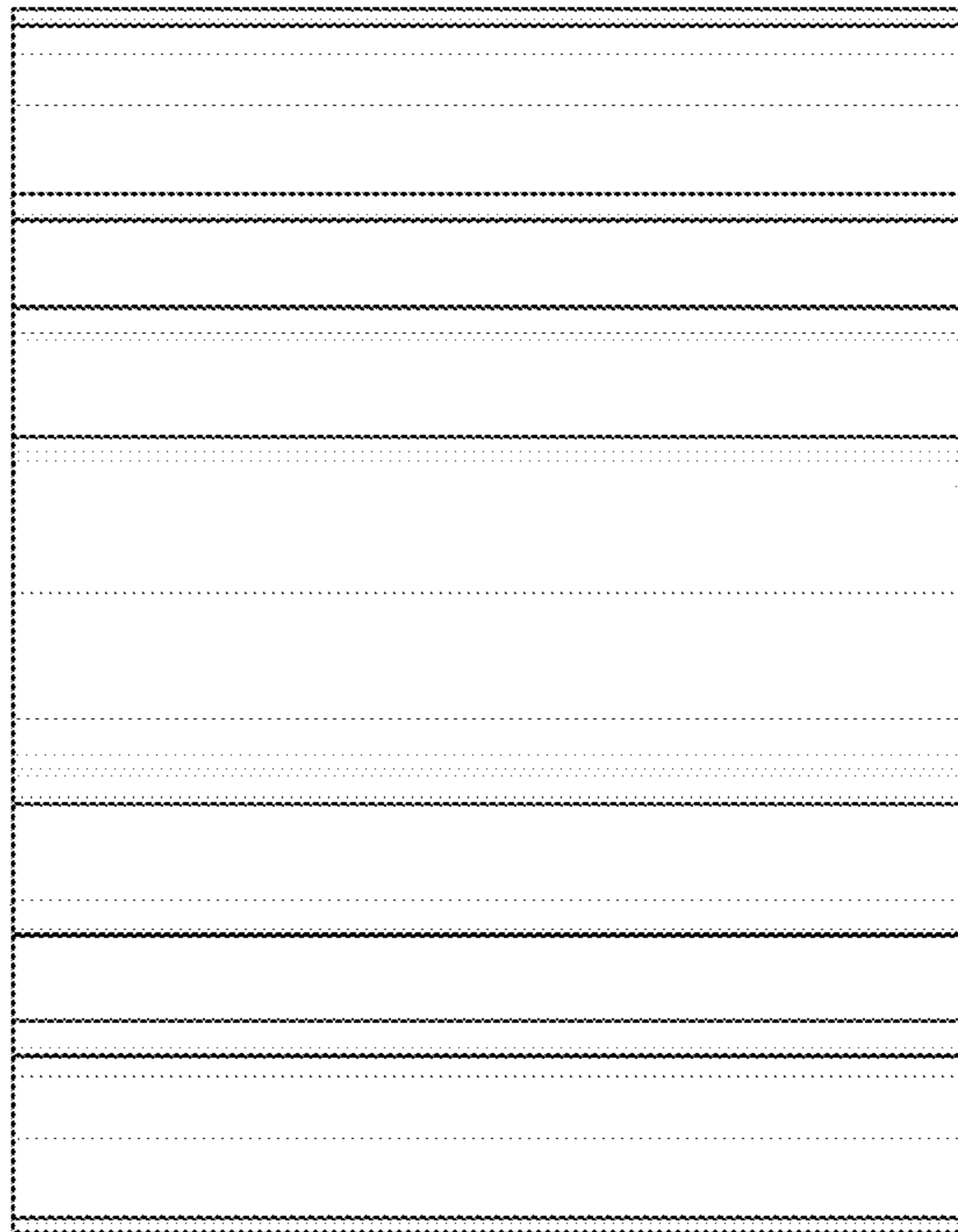
1.1



1.2



1.3



1.4

