



US00D914836S

(12) **United States Design Patent** (10) **Patent No.:** **US D914,836 S**
Kremerman (45) **Date of Patent:** **** Mar. 30, 2021**

(54) **SHORT DISTILLATION HEAD WITH INTEGRATED COOLING JACKET**

(71) Applicant: **Elliot Kremerman**, Los Gatos, CA (US)

(72) Inventor: **Elliot Kremerman**, Los Gatos, CA (US)

(**) Term: **15 Years**

(21) Appl. No.: **29/741,381**

(22) Filed: **Jul. 13, 2020**

(51) **LOC (13) Cl.** **23-01**

(52) **U.S. Cl.**
USPC **D23/207**

(58) **Field of Classification Search**
USPC D23/207, 209, 213, 233, 259, 266, 268;
D27/163-166, 194
CPC B01D 5/0051; B01D 3/00; B01D 3/04;
B01D 3/008
See application file for complete search history.

(56) **References Cited**

U.S. PATENT DOCUMENTS

D173,603 S	12/1954	Atkinson
3,020,215 A	2/1962	Weber
3,271,935 A	9/1966	Smith
3,334,025 A	8/1967	Reid
D247,248 S	2/1978	Durot
4,089,749 A	5/1978	Karamian
D248,485 S	7/1978	Strauss
4,159,817 A	7/1979	Ikawa
4,230,536 A	10/1980	Sech
4,303,614 A	12/1981	Spring
D293,128 S	12/1987	Karamian
D293,368 S	12/1987	Karamian
D306,338 S	2/1990	Rempe
D314,225 S	1/1991	Palmer
D316,739 S	5/1991	Erickson

D339,862 S	9/1993	Weber
5,354,428 A	10/1994	Clark
D358,448 S	5/1995	Paoli
5,411,707 A	5/1995	Hiatt
5,711,857 A	1/1998	Armstrong
D412,550 S	8/1999	Bell
D425,174 S	5/2000	Swancara
D432,203 S	10/2000	Edwards
D455,813 S	4/2002	Mount
D458,340 S	6/2002	Lindahl
6,551,464 B1	4/2003	Kimel
D634,397 S	3/2011	Lautzenheiser
D706,386 S	6/2014	Ambler

(Continued)

Primary Examiner — John A Voytek

(74) *Attorney, Agent, or Firm* — Michael J. Feigin, Esq.;
Feigin and Fridman LLC

(57) **CLAIM**

The ornamental design for a short distillation head with integrated cooling jacket, as shown and described.

DESCRIPTION

FIG. 1 shows a top and side perspective view of a short distillation head with integrated cooling jacket.

FIG. 2 shows a reverse bottom and side perspective view thereof.

FIG. 3 shows a front elevation view thereof.

FIG. 4 shows a side elevation view thereof.

FIG. 5 shows a side elevation view thereof.

FIG. 6 shows a top plan view thereof.

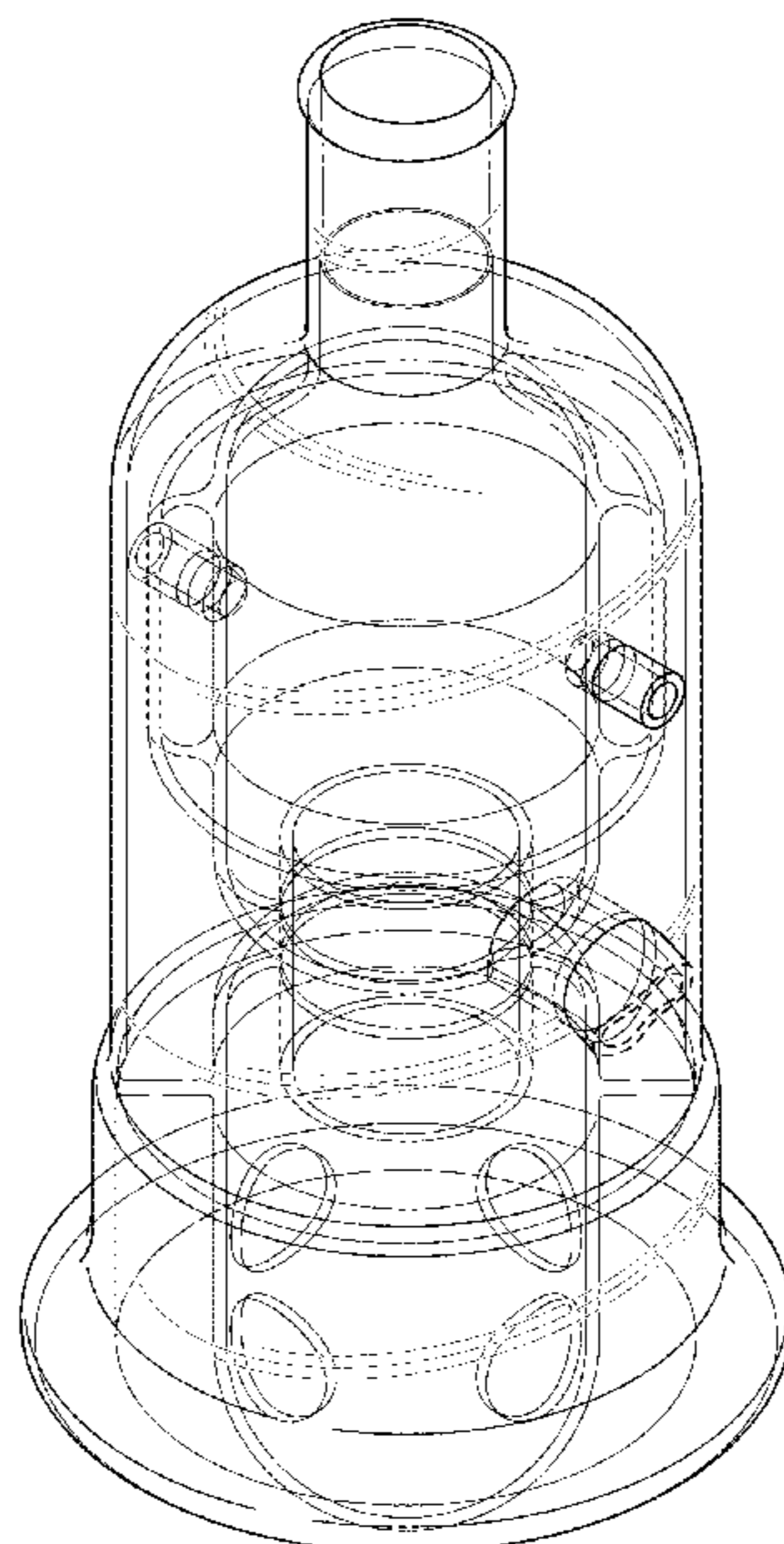
FIG. 7 shows a bottom plan view thereof.

FIG. 8 shows a vertical cross section thereof; and,

FIG. 9 shows a side elevation view thereof, with an attached condenser unit; shown in broken lines as environmental subject matter only.

In the drawings, the broken lines depict environmental subject matter only and form no part of the claimed design.

1 Claim, 8 Drawing Sheets



(56)

References Cited

U.S. PATENT DOCUMENTS

D727,460	S	4/2015	Collins	
D728,854	S	5/2015	Siniakov	
D731,615	S	6/2015	Ambler	
9,138,657	B1	9/2015	Wiederin	
D775,310	S	12/2016	Kremerman	
D776,238	S	1/2017	Kremerman	
D780,286	S	2/2017	Ausner	
D787,630	S	5/2017	Lipkens	
D796,278	S *	9/2017	Lonsway D8/1
D819,779	S *	6/2018	Kremerman D23/207
D849,184	S *	5/2019	Kremerman D23/207
D875,881	S *	2/2020	Kremerman D23/207
D896,920	S *	9/2020	Maibach, Jr. D23/207
2018/0161693	A1 *	6/2018	Kremerman B01D 5/006
2019/0321747	A1 *	10/2019	Kremerman B01D 5/009
2019/0321750	A1 *	10/2019	Kremerman B01D 5/009
2020/0338468	A1 *	10/2020	Kremerman B01D 1/08
2021/0001244	A1 *	1/2021	Kremerman B01D 3/32

* cited by examiner

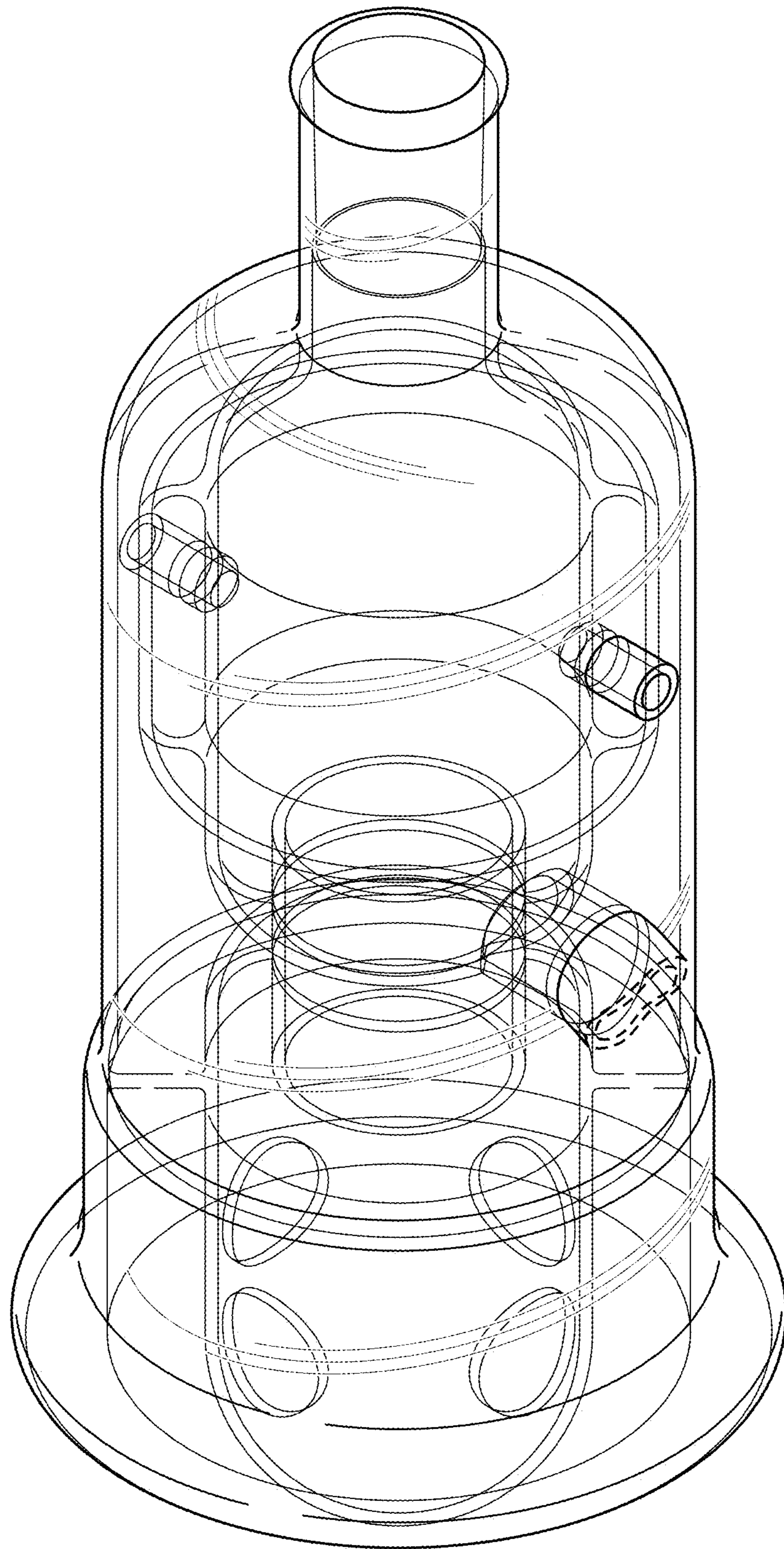


FIG. 1

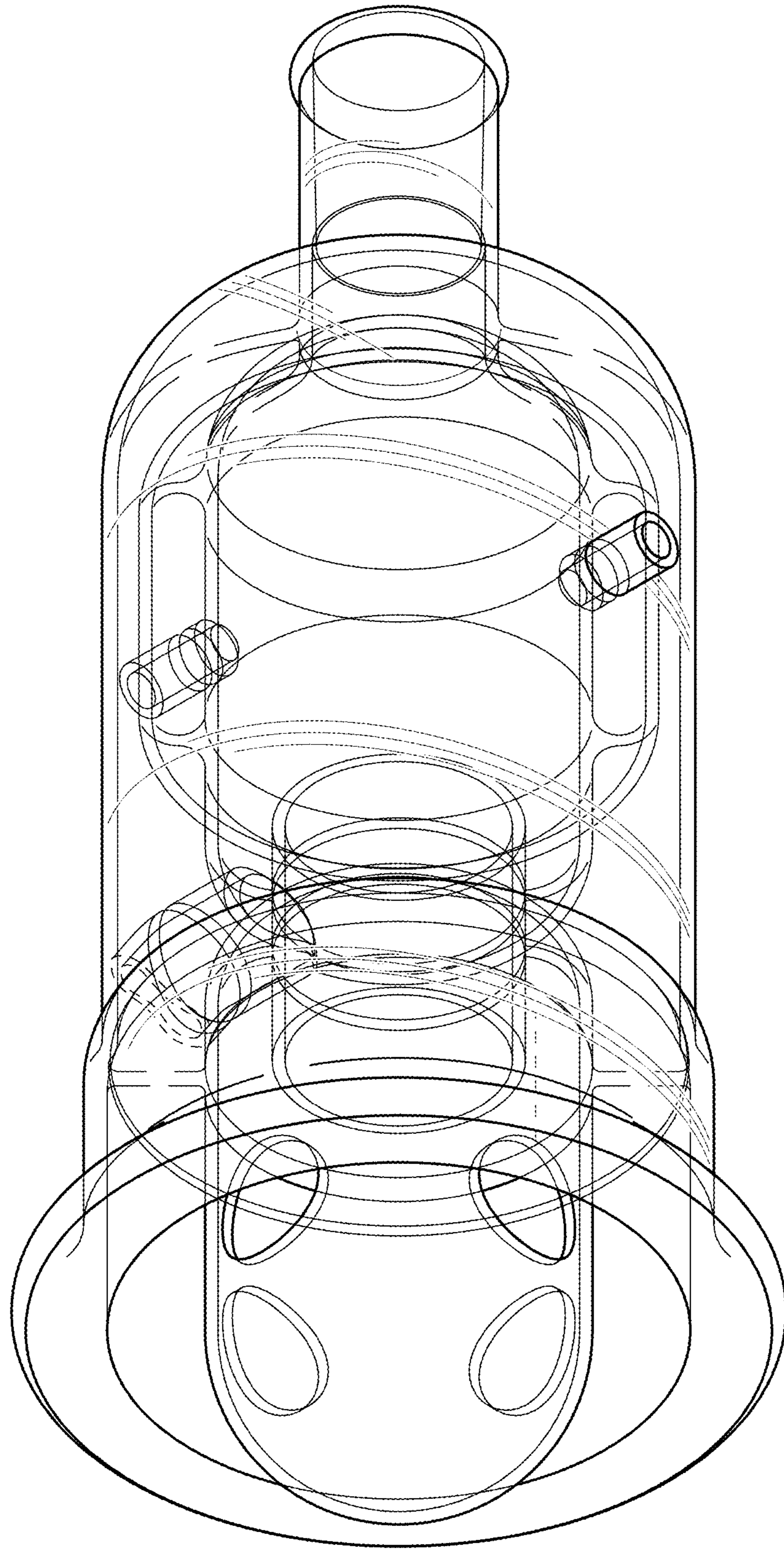


FIG. 2

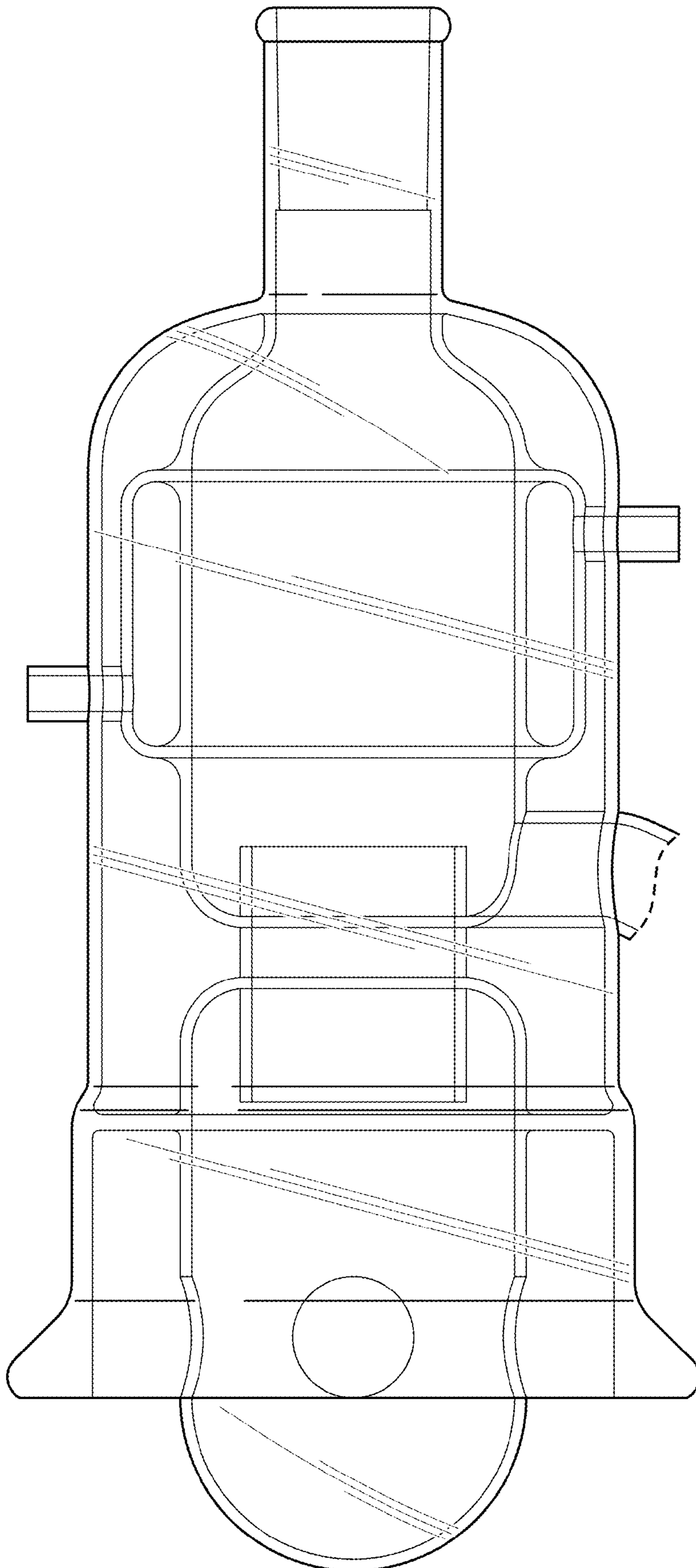


FIG. 3

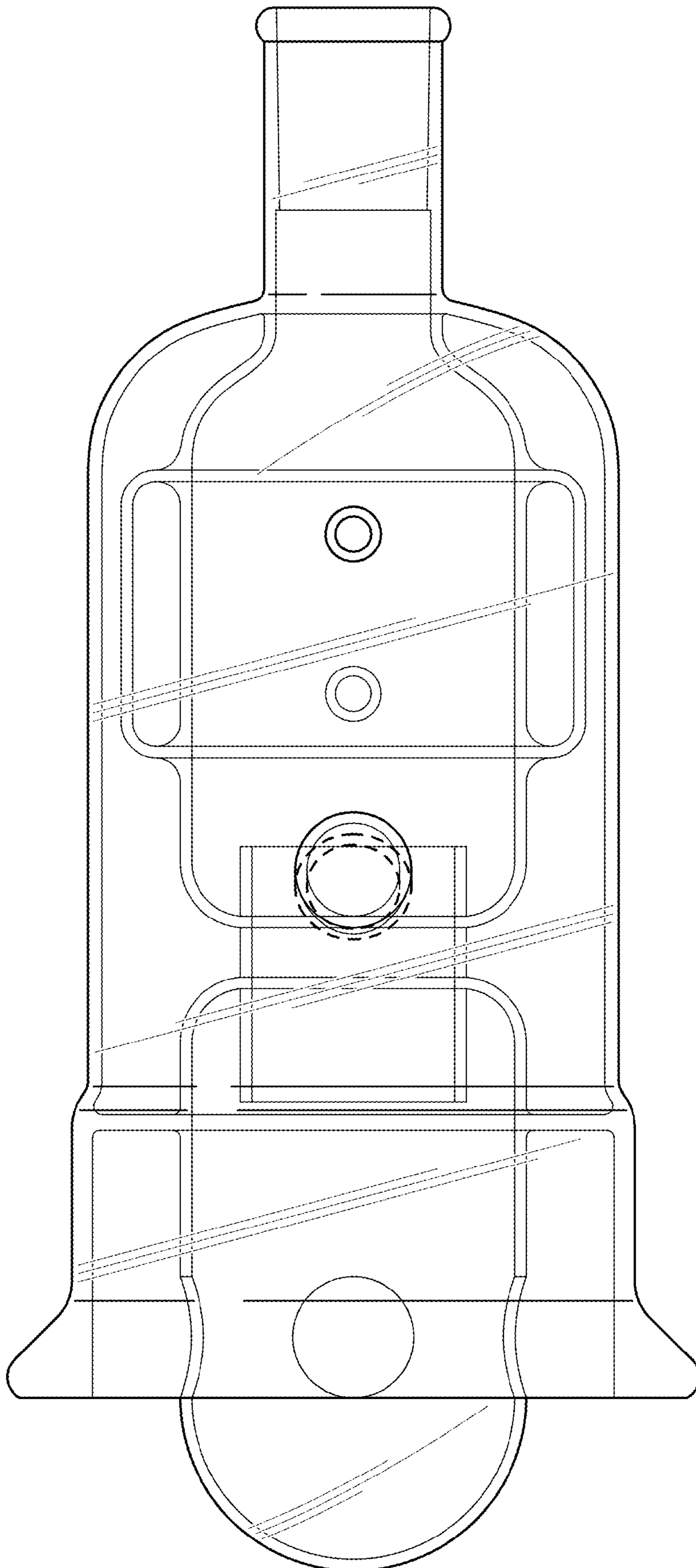


FIG. 4

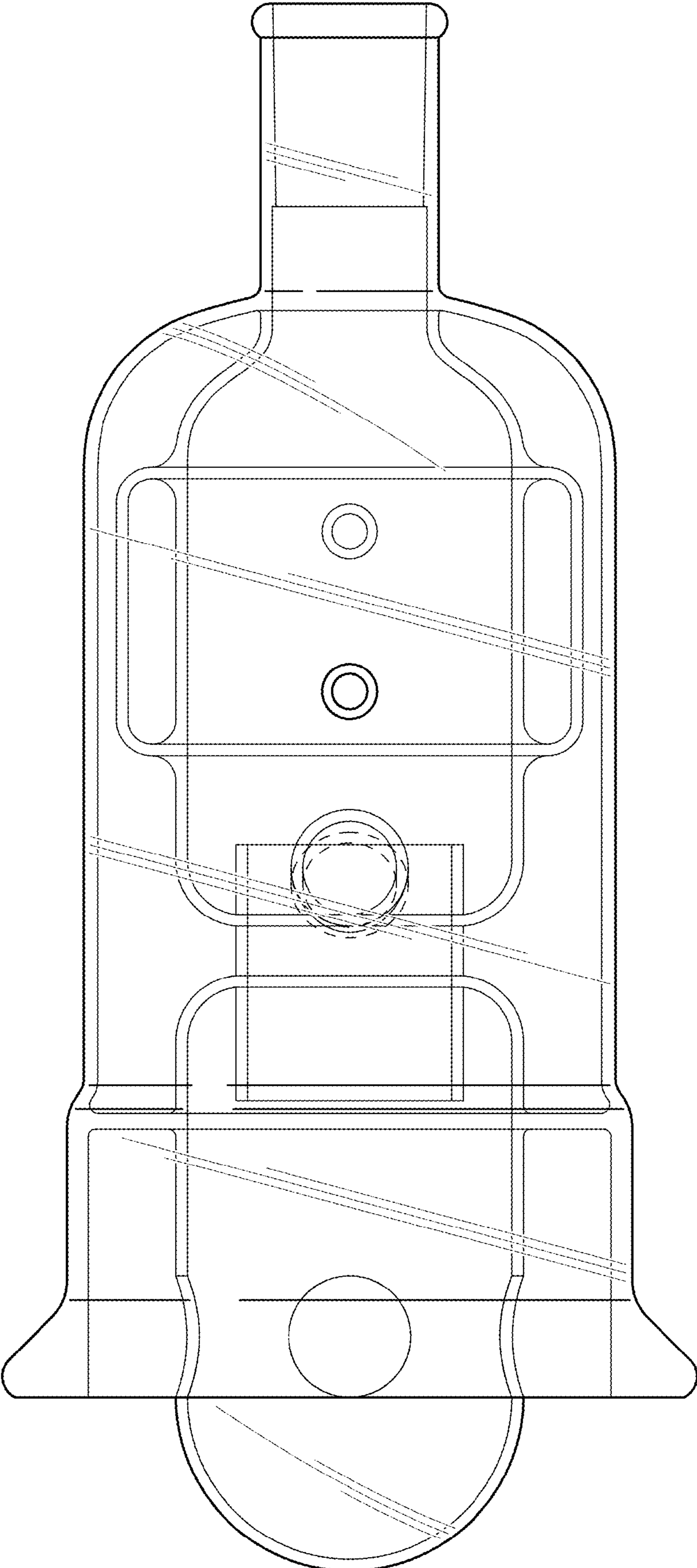


FIG. 5

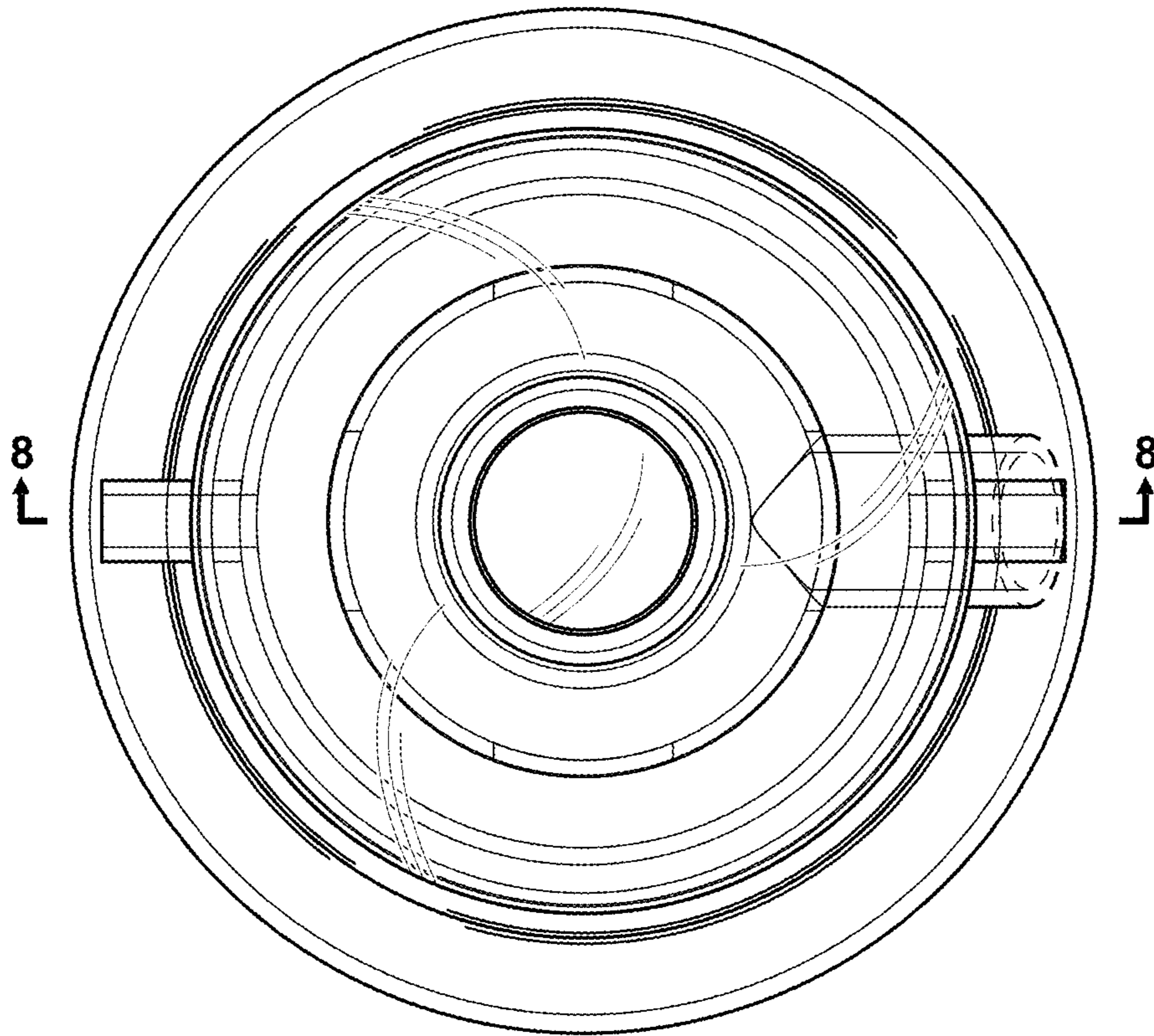


FIG. 6

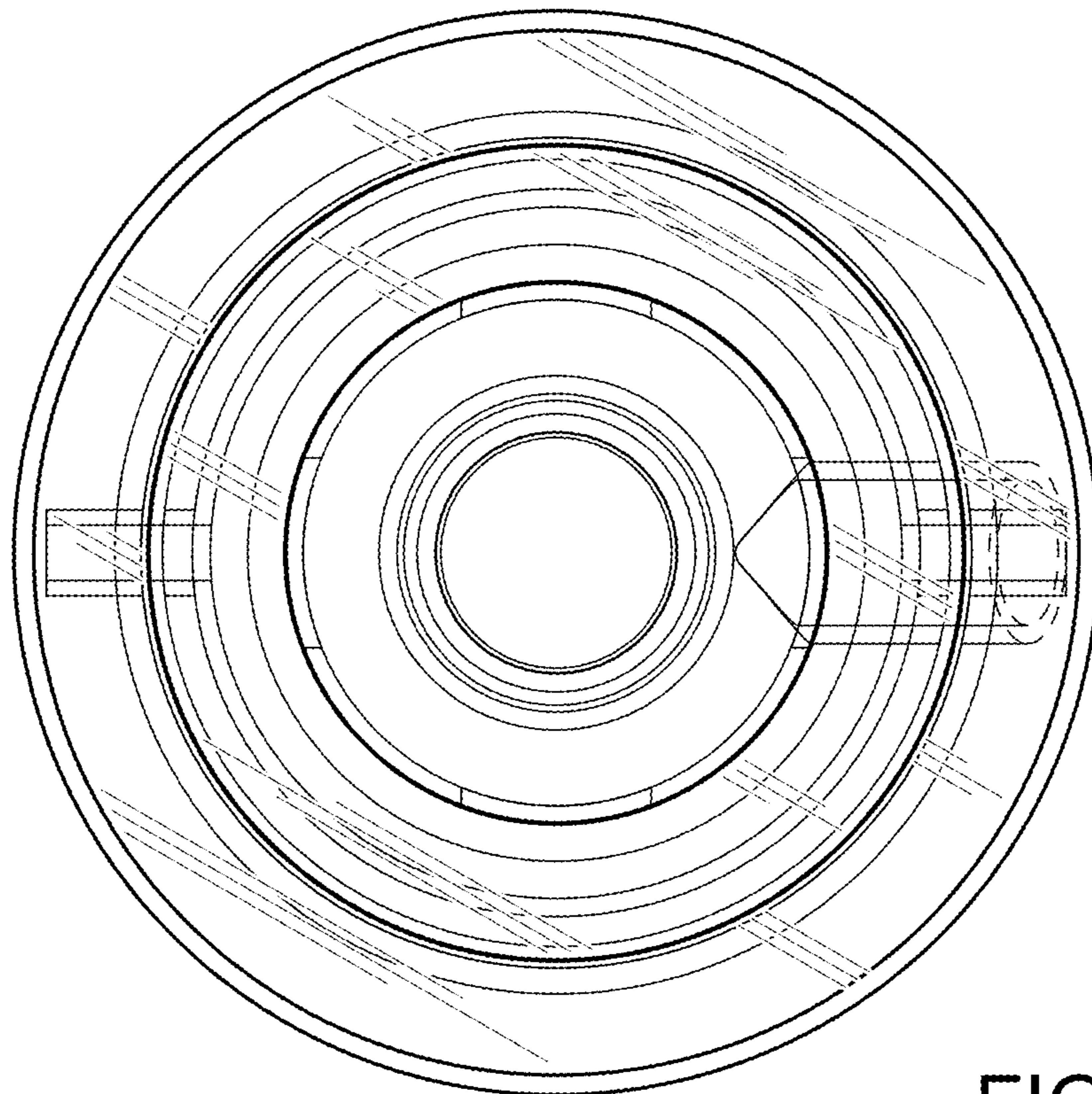


FIG. 7

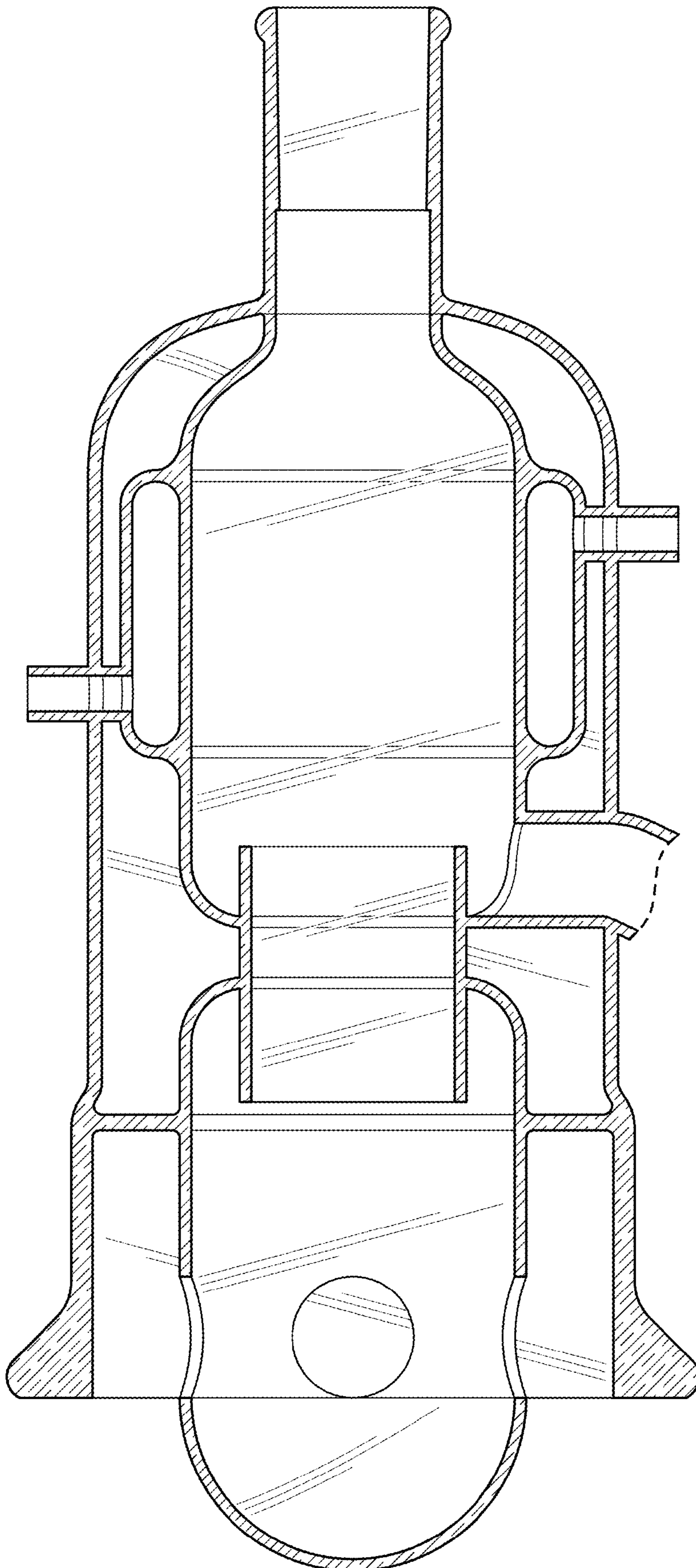


FIG. 8

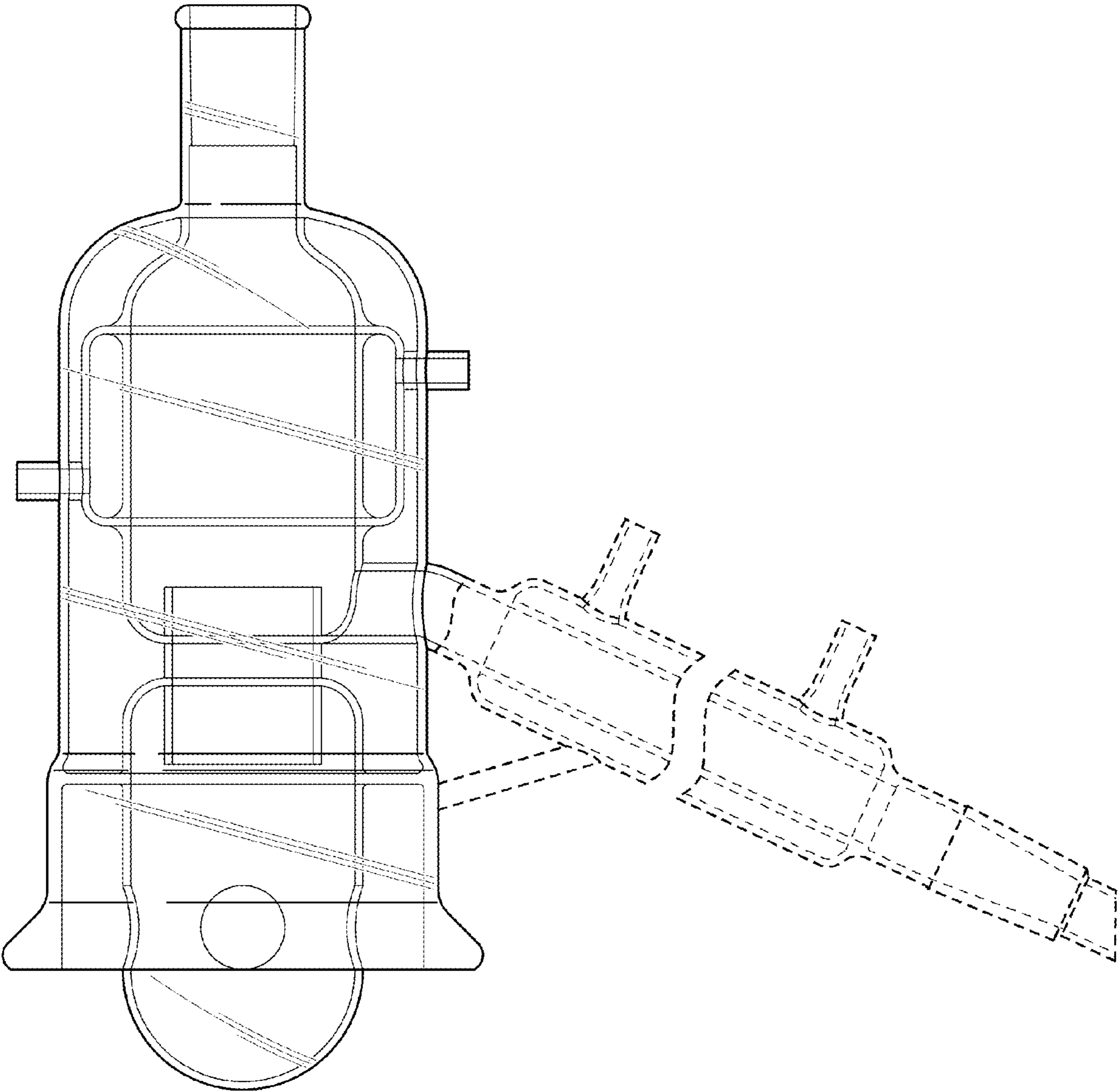


FIG. 9