



US00D914834S

(12) **United States Design Patent**  
**Cho et al.**

(10) **Patent No.:** **US D914,834 S**  
(45) **Date of Patent:** **\*\* Mar. 30, 2021**

(54) **MAIN BODY OF WATER PURIFIER**

D841,774 S \* 2/2019 Ghoshal ..... D23/207  
D841,775 S \* 2/2019 Ghoshal ..... D23/207  
D842,428 S \* 3/2019 Choi ..... B01D 35/1435  
D23/207

(71) Applicant: **LG ELECTRONICS INC.**, Seoul  
(KR)

(Continued)

(72) Inventors: **Najung Cho**, Seoul (KR); **Sookyung Kang**, Seoul (KR); **Hyoungwon Roh**, Seoul (KR); **Kyukwan Choi**, Seoul (KR)

**OTHER PUBLICATIONS**

PlumbingSupply.com, Countertop Water Filters, undated online product page, retrieved Jan. 16, 2020 from <URL:https://www.plumbingsupply.com/countertop.html> (Year: 2020).\*

(Continued)

(73) Assignee: **LG ELECTRONICS INC.**, Seoul  
(KR)

*Primary Examiner* — Sheryl Lane  
*Assistant Examiner* — Calvin E Vansant

(\*\*) Term: **15 Years**

(74) *Attorney, Agent, or Firm* — Birch, Stewart, Kolasch & Birch, LLP

(21) Appl. No.: **29/662,052**

(57) **CLAIM**

(22) Filed: **Aug. 31, 2018**

The ornamental design for a main body of water purifier, as shown and described.

(51) **LOC (13) Cl.** ..... **23-01**

(52) **U.S. Cl.**  
USPC ..... **D23/207**

**DESCRIPTION**

(58) **Field of Classification Search**  
USPC ..... D23/202, 205, 207, 259, 260, 262  
CPC ..... B01D 2201/29; B01D 2201/30; B01D 2201/301; B01D 2201/302; B01D 2201/306; B01D 2201/309; B01D 35/30; C02F 1/002; C02F 1/003

FIG. 1 is a front perspective view of a main body of water purifier showing our new design;  
FIG. 2 is a front view thereof;  
FIG. 3 is a rear view thereof;  
FIG. 4 is a left side view thereof;  
FIG. 5 is a right side view thereof;  
FIG. 6 is a top plan view thereof;  
FIG. 7 is a bottom plan view thereof;  
FIG. 8 is a rear perspective view thereof; and,  
FIG. 9 is a reference view thereof showing an example of the usage of the subject design in which the claimed design is installed at the lower cabinet and connected to the outlet of the water at the top of the sink.

See application file for complete search history.

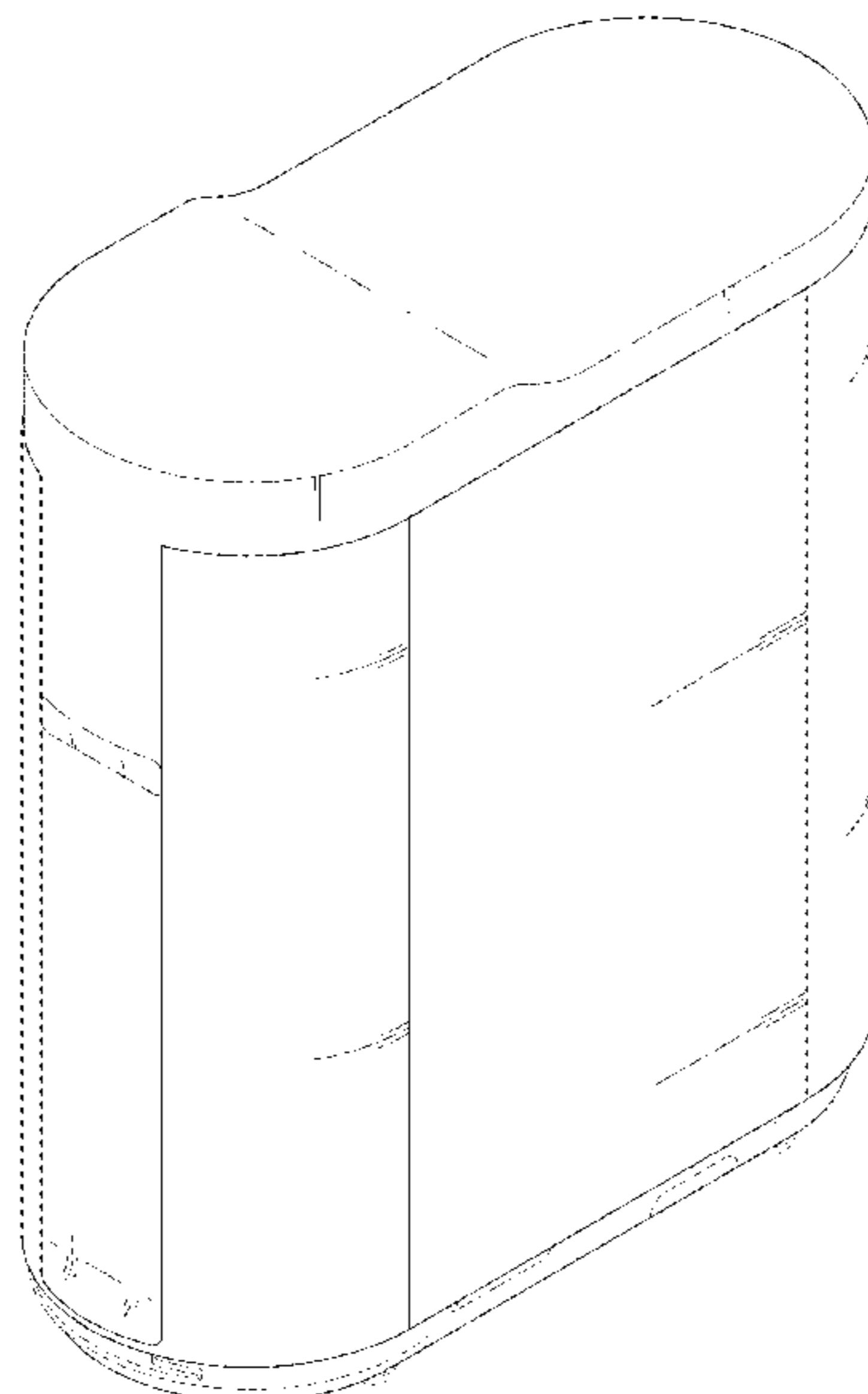
The broken lines in FIGS. 1-8 depict portions of the main body of water purifier that form no part of the claimed design. The broken lines in FIG. 9 depict portions of the main body of water purifier and environment and form no part of the claim.

(56) **References Cited**

**U.S. PATENT DOCUMENTS**

D506,525 S \* 6/2005 Wang ..... D23/207  
D582,027 S \* 12/2008 Benito ..... D23/366  
D592,274 S \* 5/2009 Tseng ..... D23/207  
D660,637 S \* 5/2012 Milewski ..... D23/207  
D741,982 S \* 10/2015 Maeng ..... D23/207  
D763,407 S \* 8/2016 Shin ..... D23/207  
D777,498 S \* 1/2017 Bandixen ..... D7/306  
D825,027 S \* 8/2018 He ..... D23/207  
D827,117 S \* 8/2018 Rigbi ..... D23/360

**1 Claim, 9 Drawing Sheets**



(56)

**References Cited**

U.S. PATENT DOCUMENTS

D844,101 S \* 3/2019 Zheng ..... B67D 1/0014  
D23/207  
D872,225 S \* 1/2020 Joo ..... D23/207  
10,793,446 B2 \* 10/2020 Kim ..... C02F 1/003  
2017/0153056 A1 \* 6/2017 Kim ..... B01D 35/1435  
2019/0060807 A1 \* 2/2019 Jeon ..... B01D 35/04  
2019/0382281 A1 \* 12/2019 Moon ..... B67D 1/0014

OTHER PUBLICATIONS

ifworlddesignguide.com, Viomi instant heating RO Water Purifier X3, undated online product page, retrieved Jan. 16, 2020 from <URL:<https://ifworlddesignguide.com/entry/230021-viomi-instant-heating-ro-water-purifier-x3>> (Year: 2020).\*

\* cited by examiner

FIG. 1

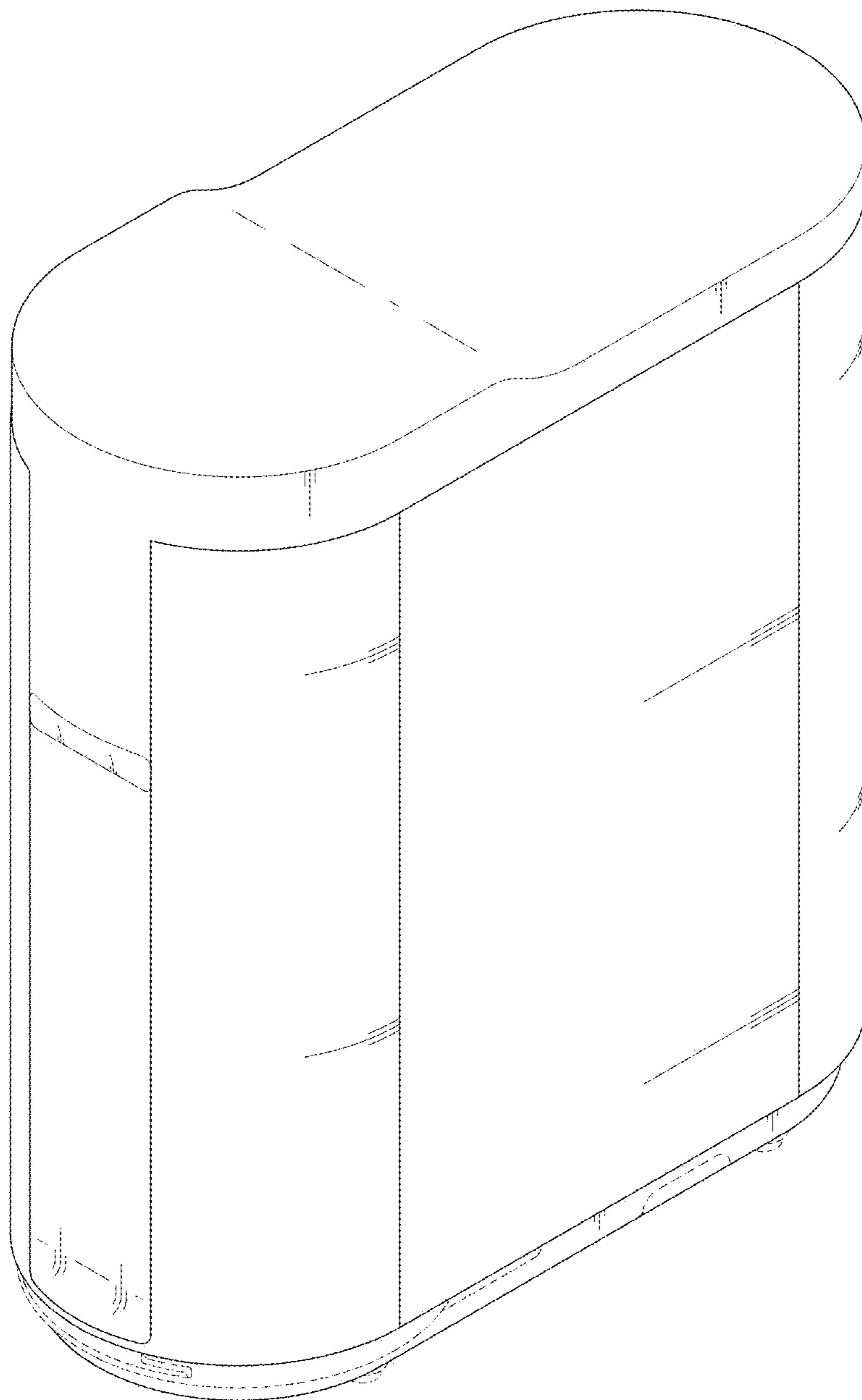


FIG. 2

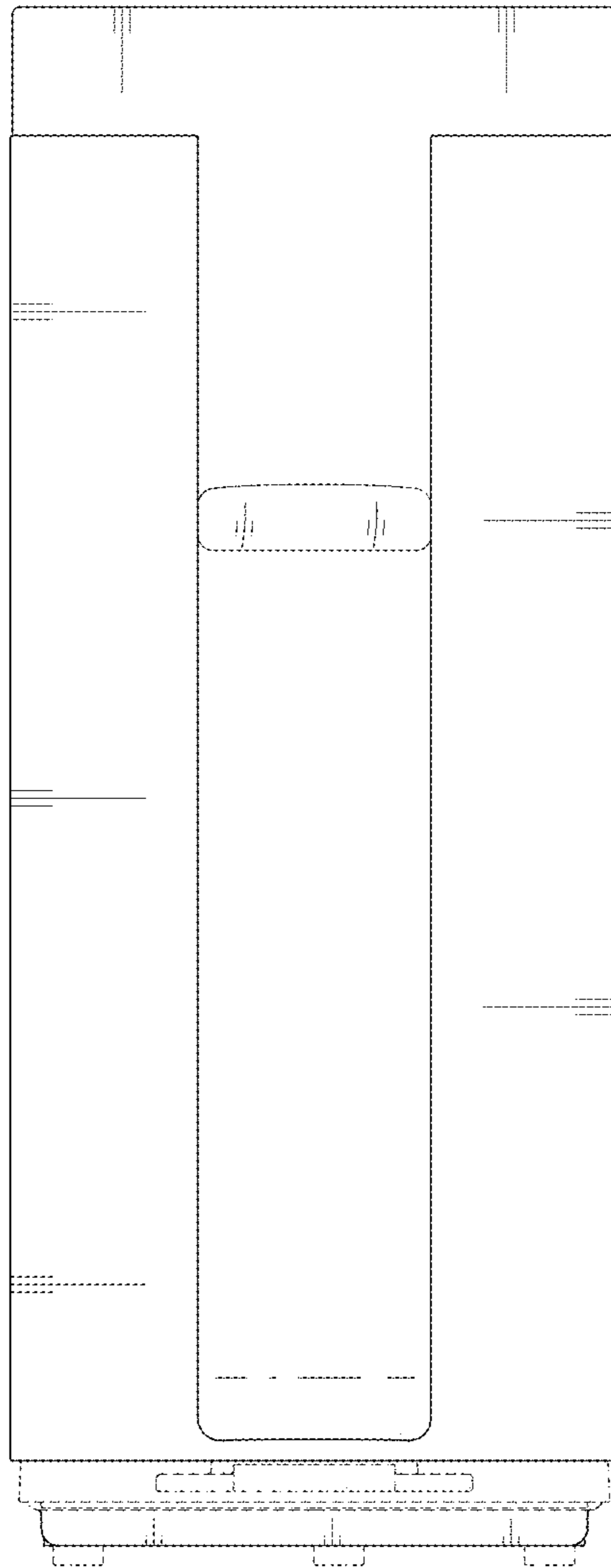


FIG. 3

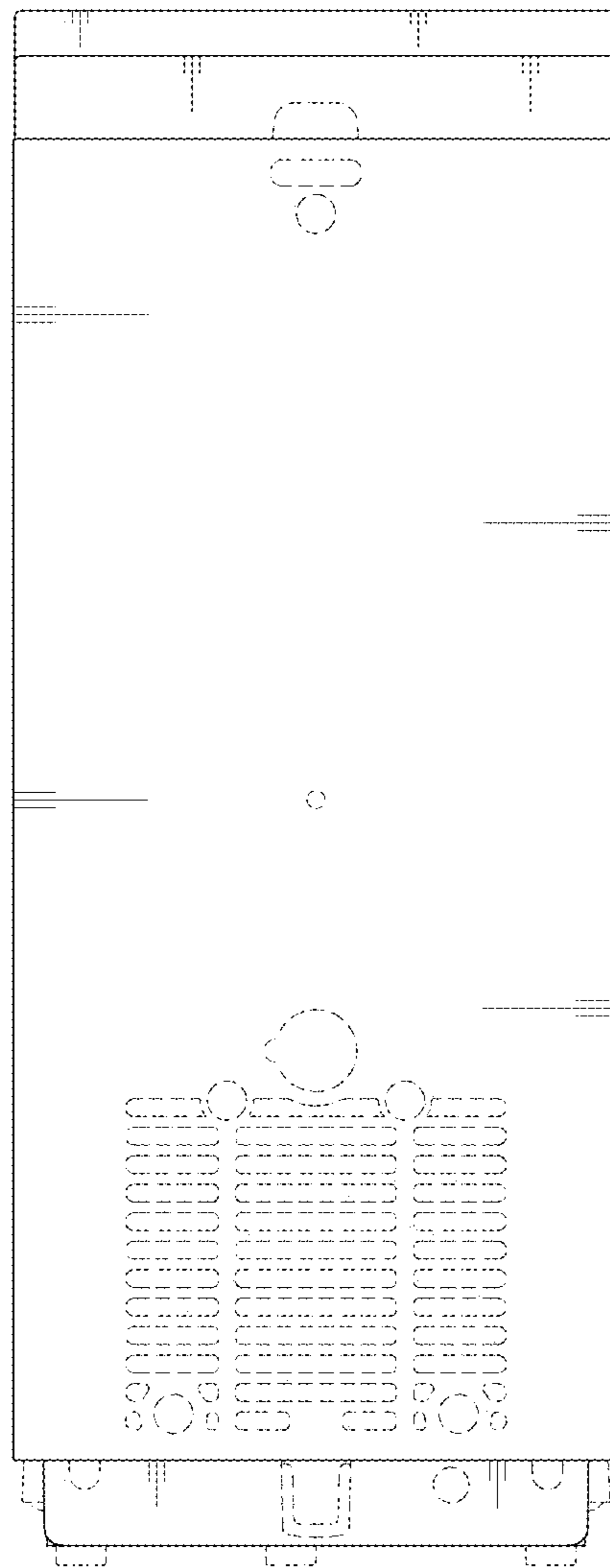


FIG. 4

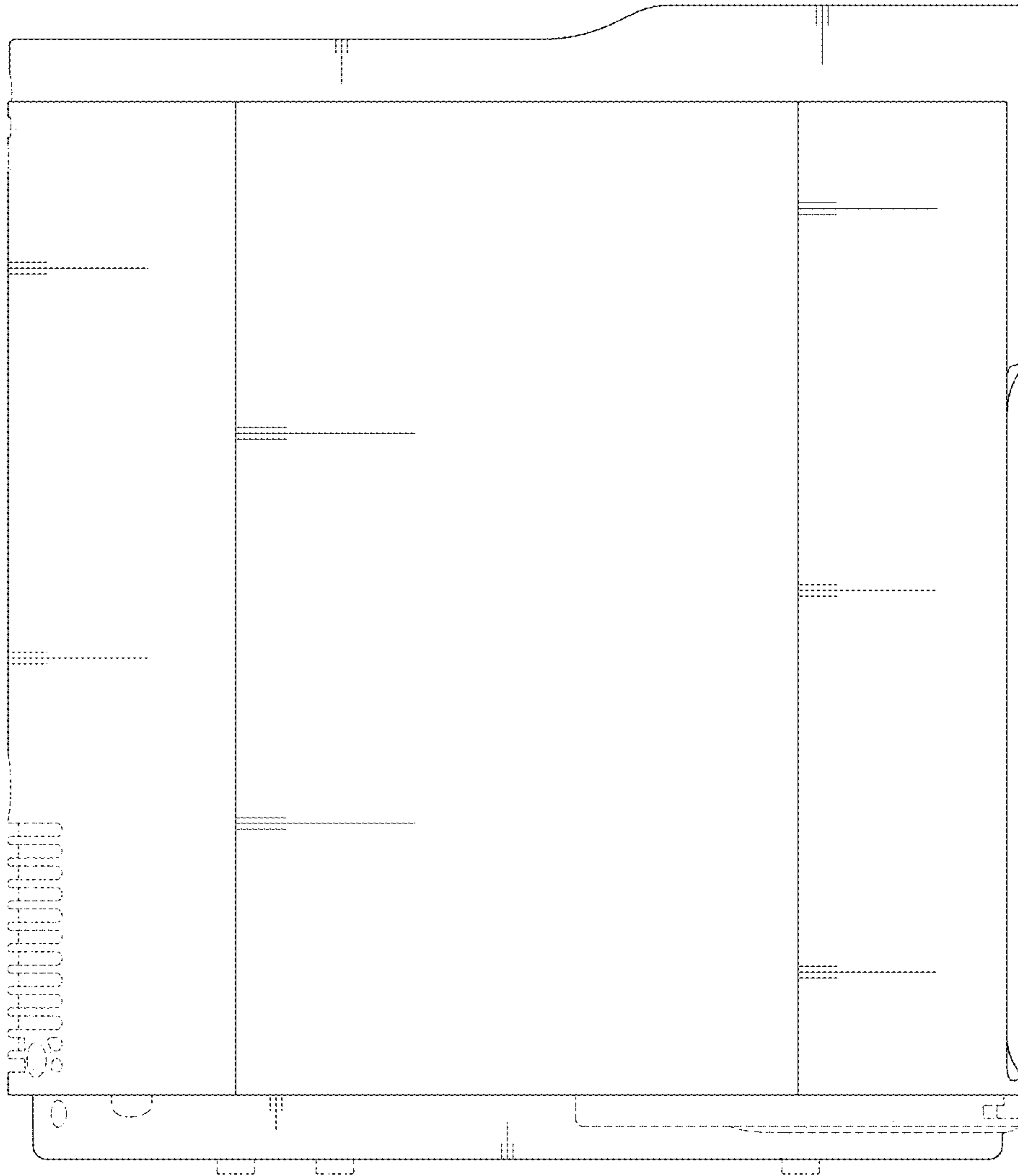


FIG. 5

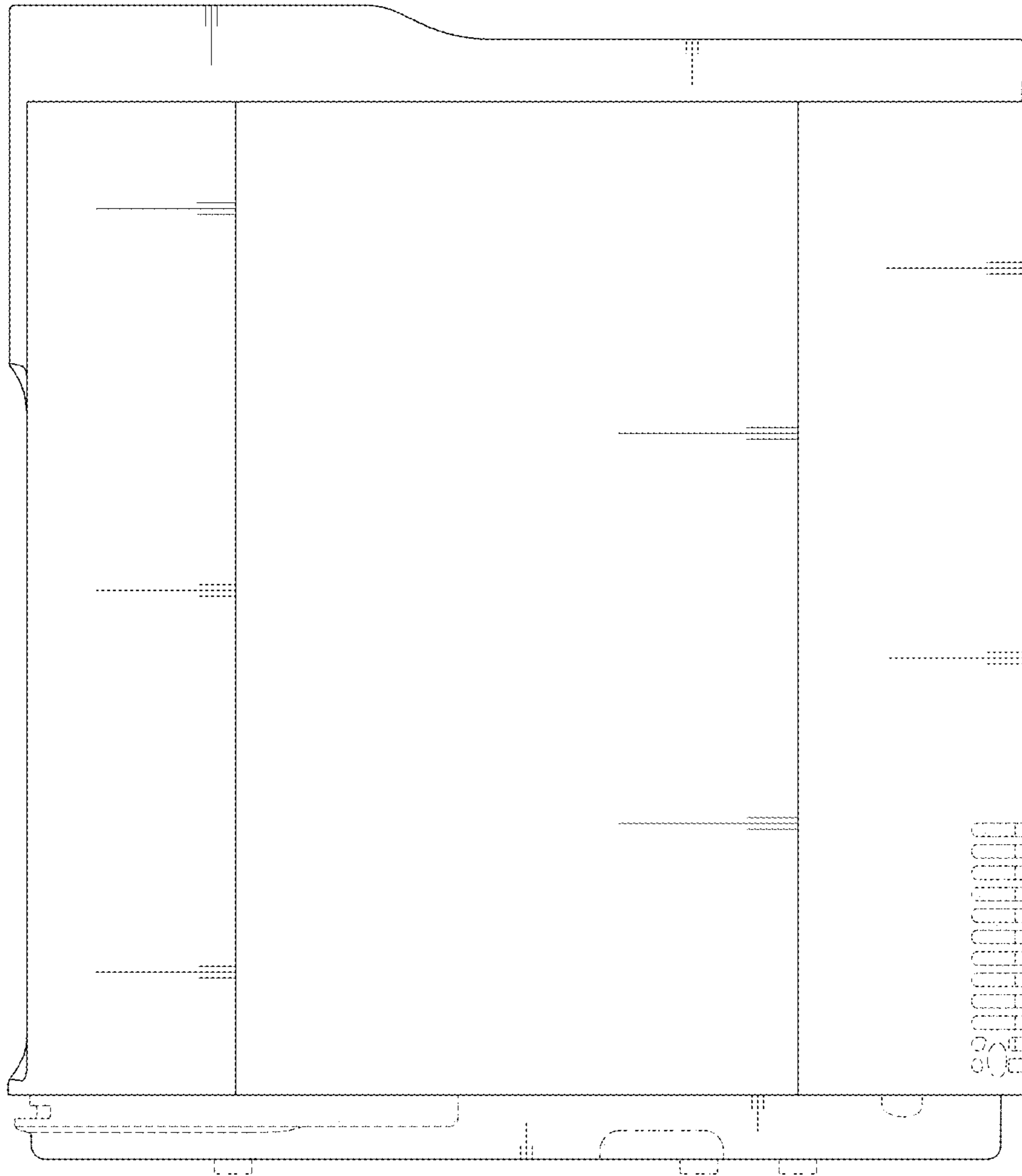


FIG. 6

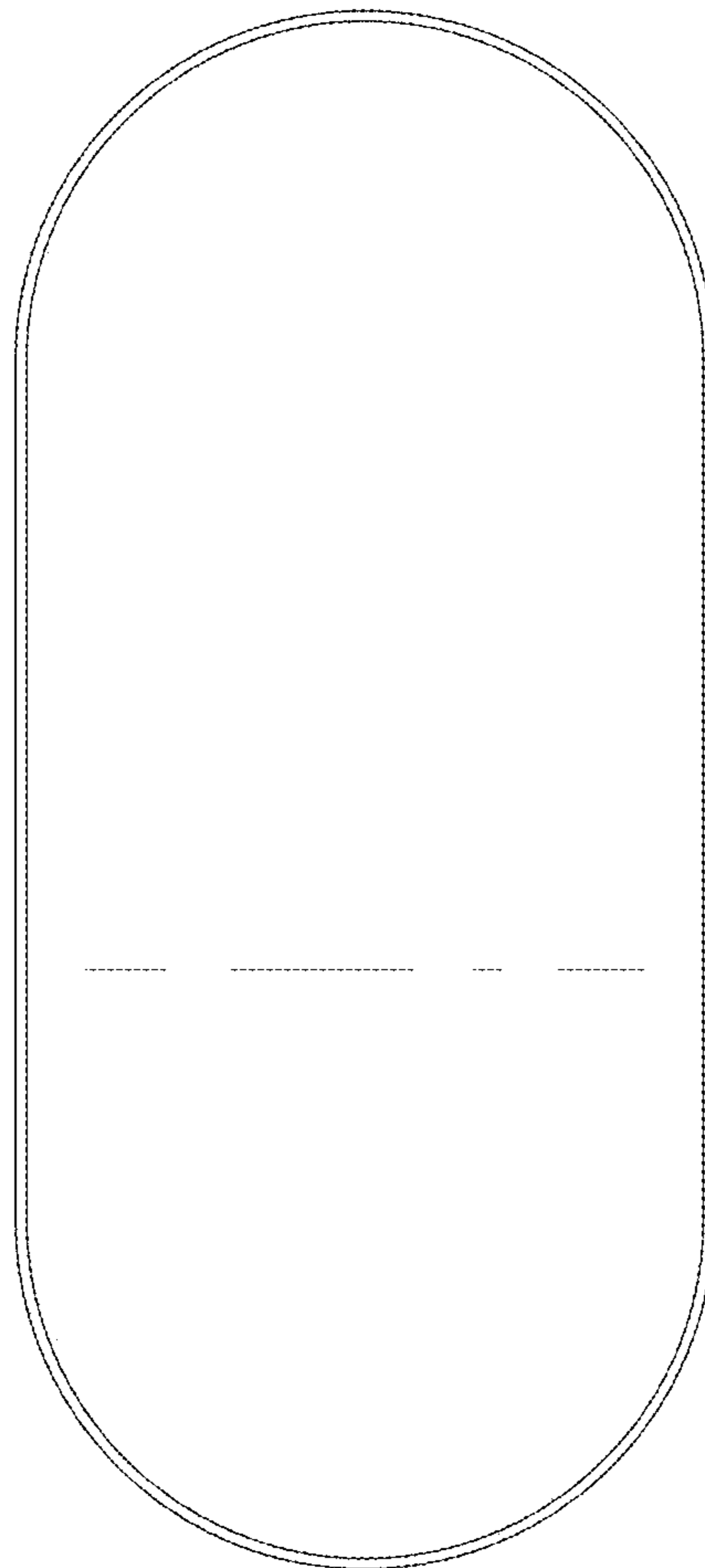




FIG. 7

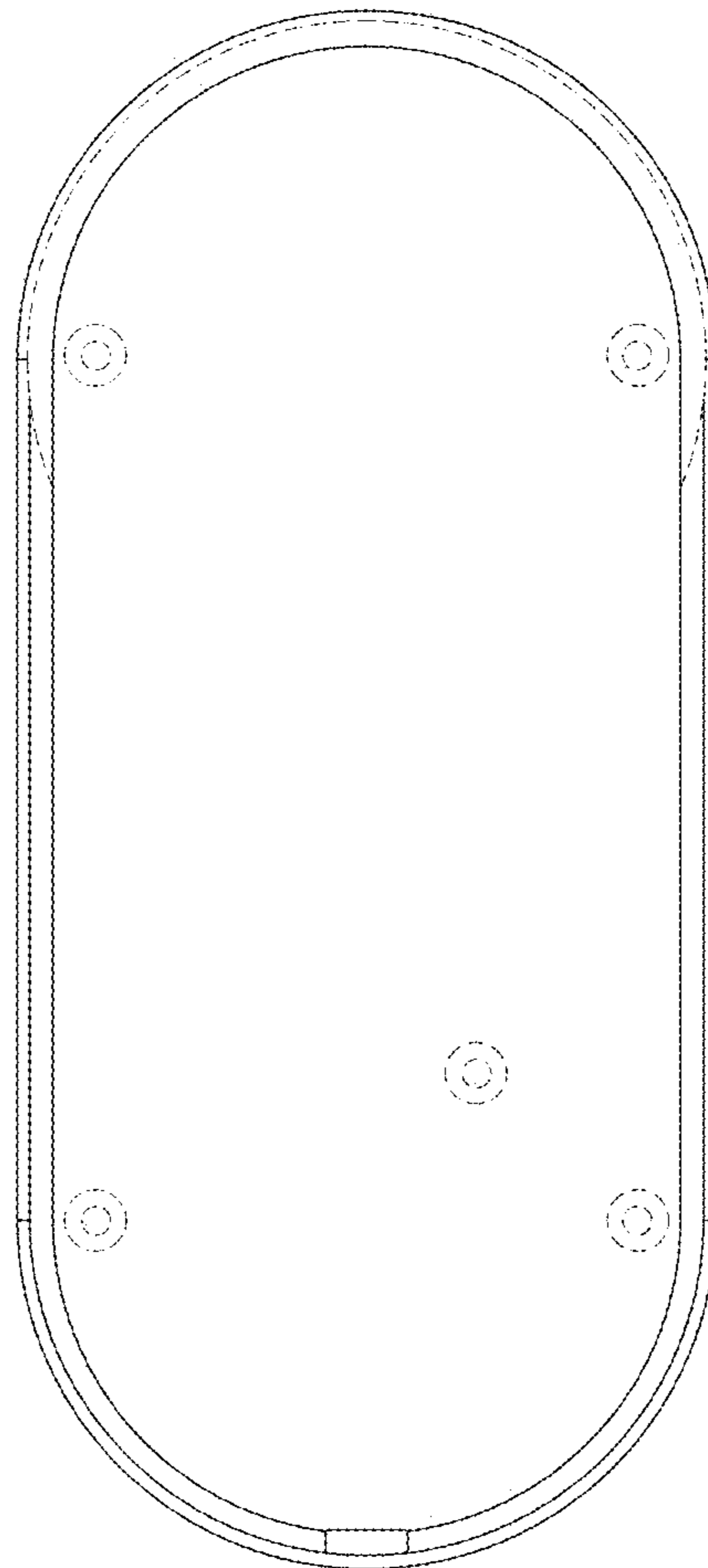


FIG. 8

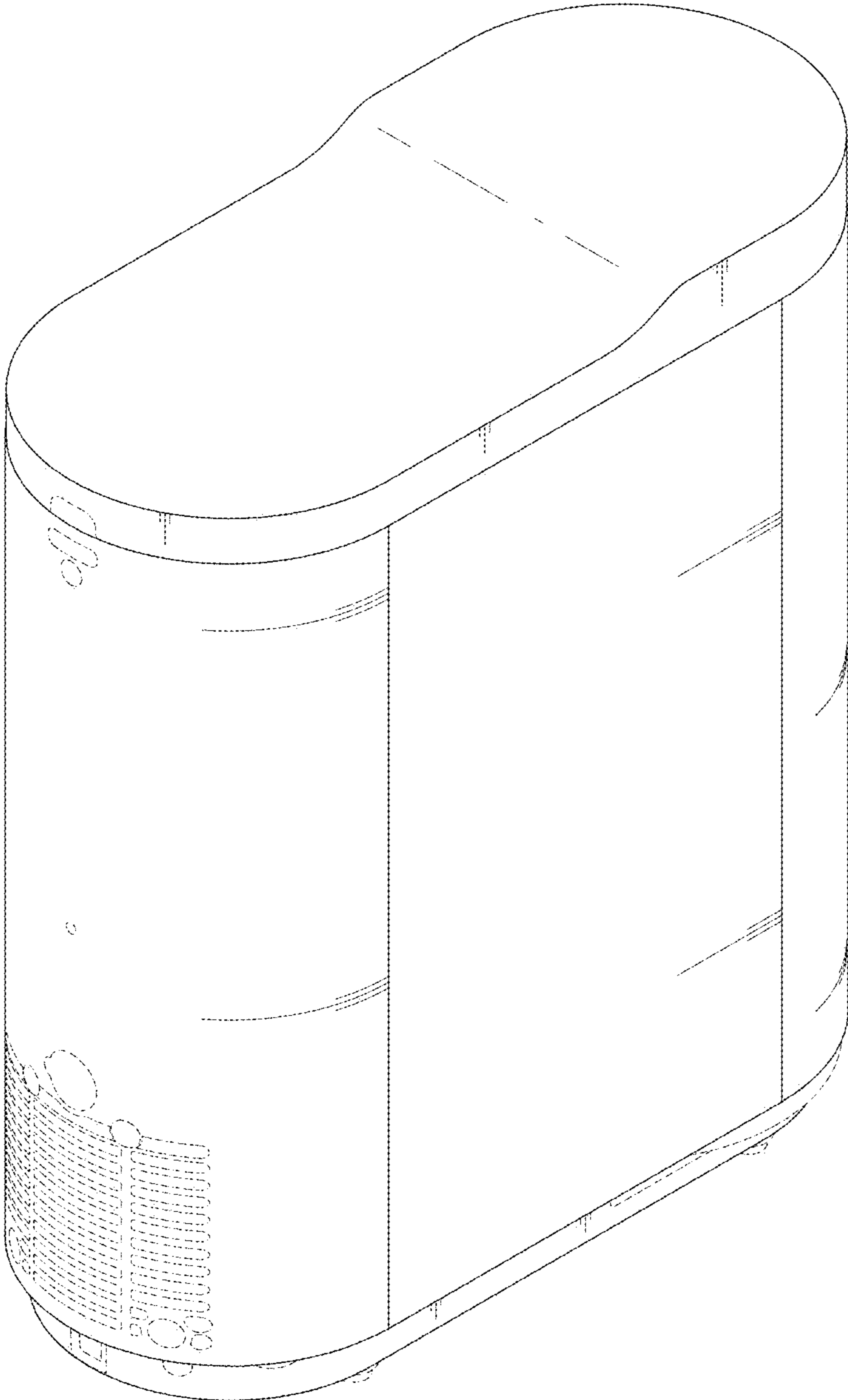


FIG. 9

