



US00D914833S

(12) **United States Design Patent**
Bleazard

(10) **Patent No.:** **US D914,833 S**
(45) **Date of Patent:** **** Mar. 30, 2021**

- (54) **CRYOGENIC CONTAINER INSERT**
- (71) Applicant: **Packaging Technology Group, Inc.**,
Fall River, MA (US)
- (72) Inventor: **William C. Bleazard**, Mattapoisett, MA
(US)
- (73) Assignee: **Packaging Technology Group, Inc.**,
Fall River, MA (US)
- (**) Term: **15 Years**
- (21) Appl. No.: **29/692,879**
- (22) Filed: **May 29, 2019**
- (51) **LOC (13) Cl.** **23-01**
- (52) **U.S. Cl.**
USPC **D23/202**
- (58) **Field of Classification Search**
USPC D23/200–205
CPC F17C 13/08; A61M 29/00
See application file for complete search history.

- D304,610 S * 11/1989 Conaway D23/207
- D320,837 S * 10/1991 Loeffke D23/205
- 5,159,779 A * 11/1992 Johnson A01C 1/02
47/58.1 R
- D415,553 S * 10/1999 Wolfe D23/202
- 2010/0100116 A1 * 4/2010 Brister A61F 5/0083
606/192

OTHER PUBLICATIONS

Dewar Flask, announced Nov. 30, 2015[online], [site visited Nov. 16, 2020]. Available from internet, URL:<<https://www.amazon.ca/dp/B003OBYL20>> (Year: 2015).*

* cited by examiner

Primary Examiner — Barbara Fox

Assistant Examiner — Jamaal Rasheed

(74) *Attorney, Agent, or Firm* — Barlow, Josephs & Holmes, Ltd.

(57) **CLAIM**

The ornamental design for a cryogenic container insert, as shown and described.

DESCRIPTION

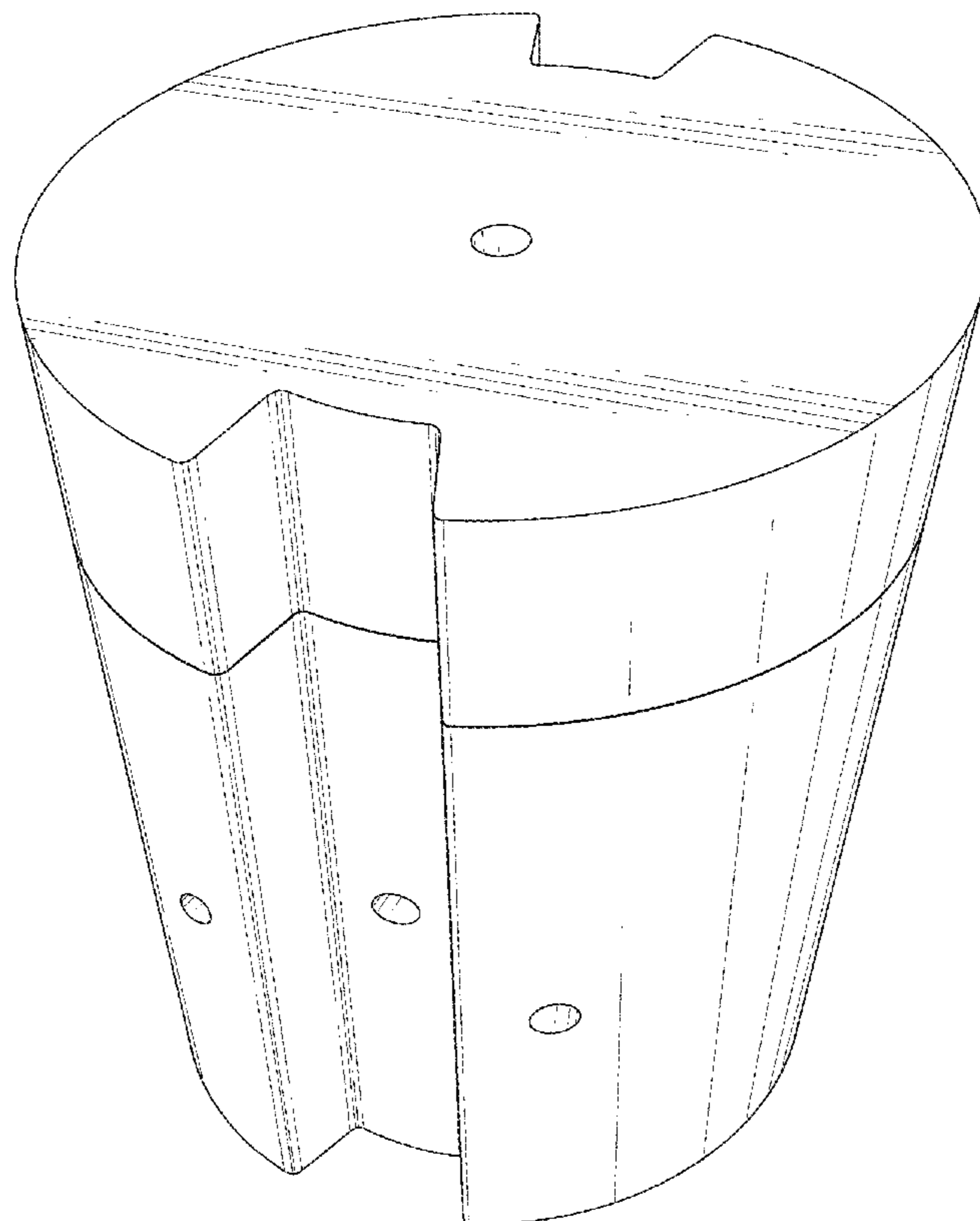
FIG. 1 is a perspective view of a cryogenic container insert in accordance with the present design;
FIG. 2 is a front view thereof;
FIG. 3 is a back view thereof;
FIG. 4 is a right side view thereof;
FIG. 5 is a left side view thereof;
FIG. 6 is a top view thereof; and,
FIG. 7 is a bottom view thereof.

1 Claim, 6 Drawing Sheets

(56) **References Cited**

U.S. PATENT DOCUMENTS

- D88,497 S * 12/1932 Berry et al. D23/205
- 2,015,484 A * 9/1935 Lilienfeld C04B 37/025
403/179
- 3,503,536 A * 3/1970 Ashworth, Jr. F17C 13/084
220/724
- D218,096 S * 7/1970 Craig D23/205



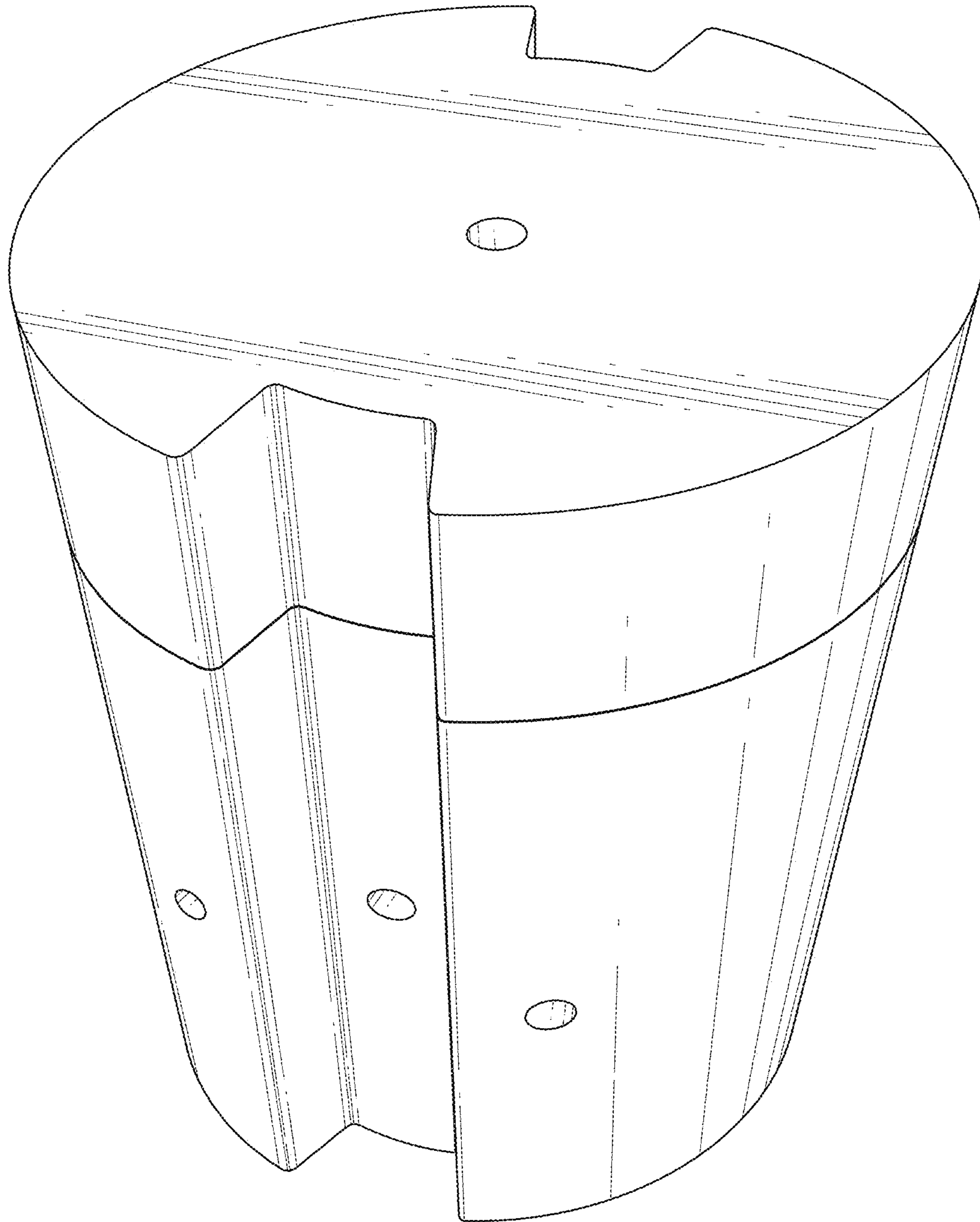


FIG. 1

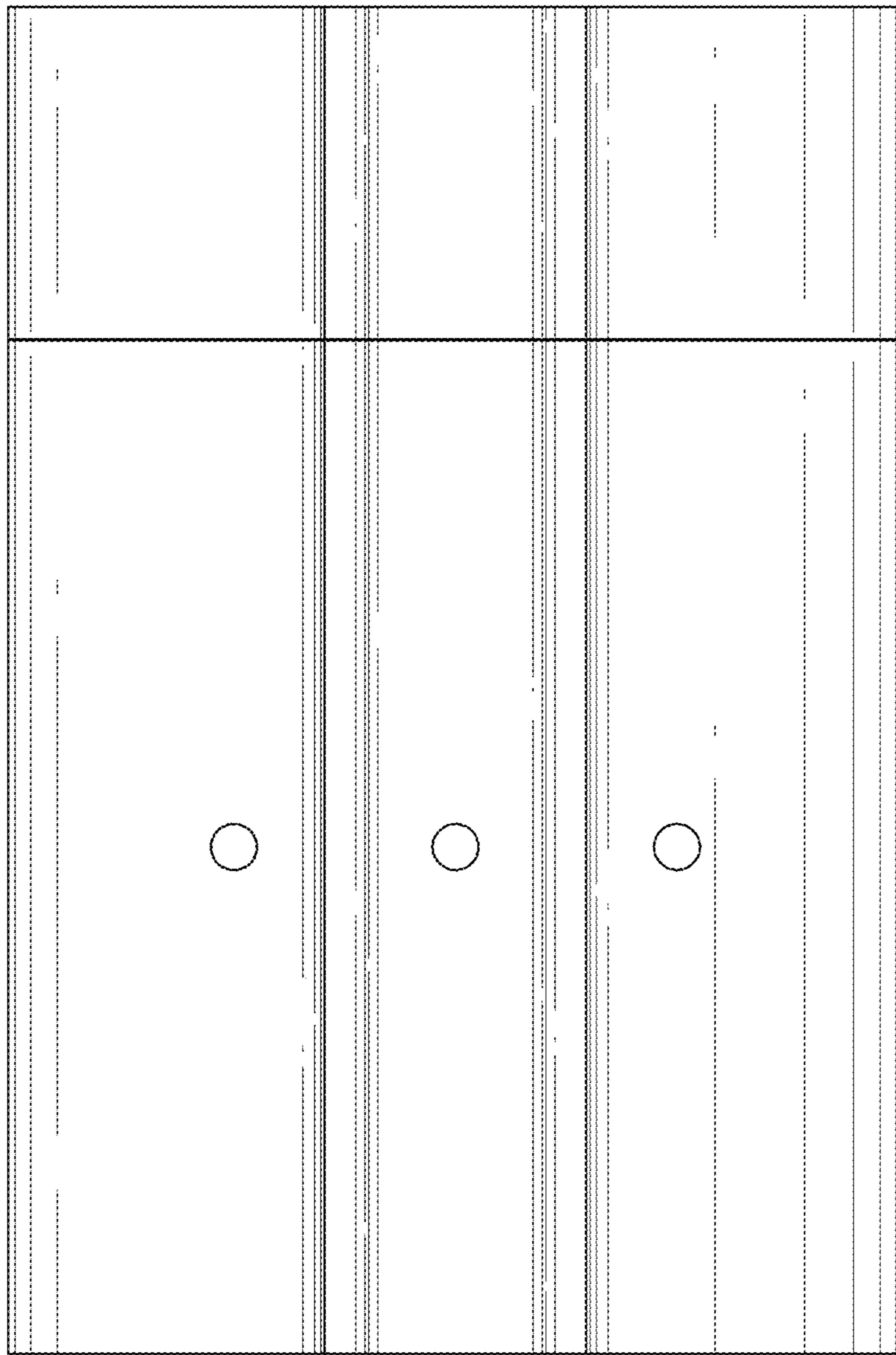


FIG. 2

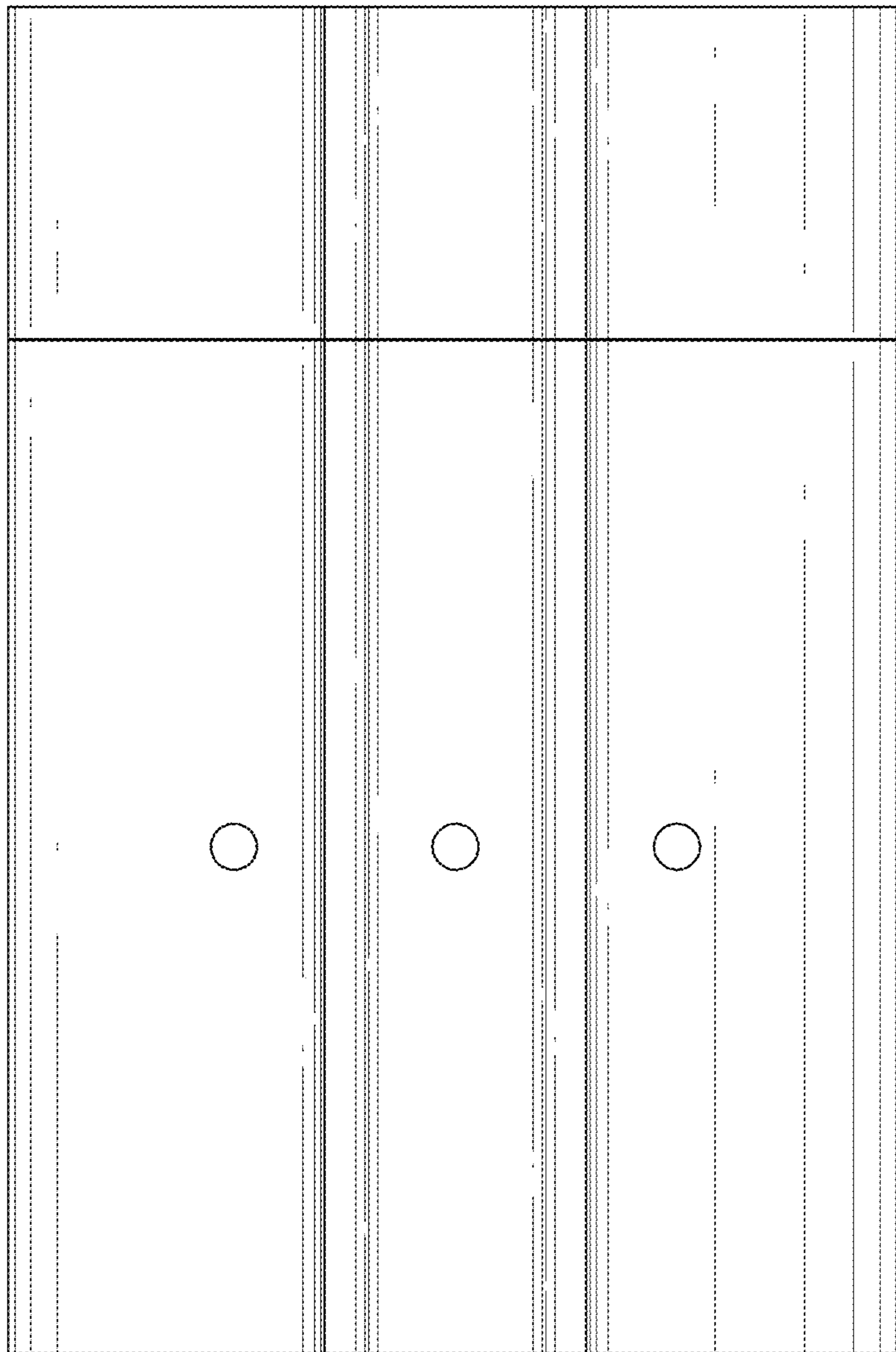


FIG. 3

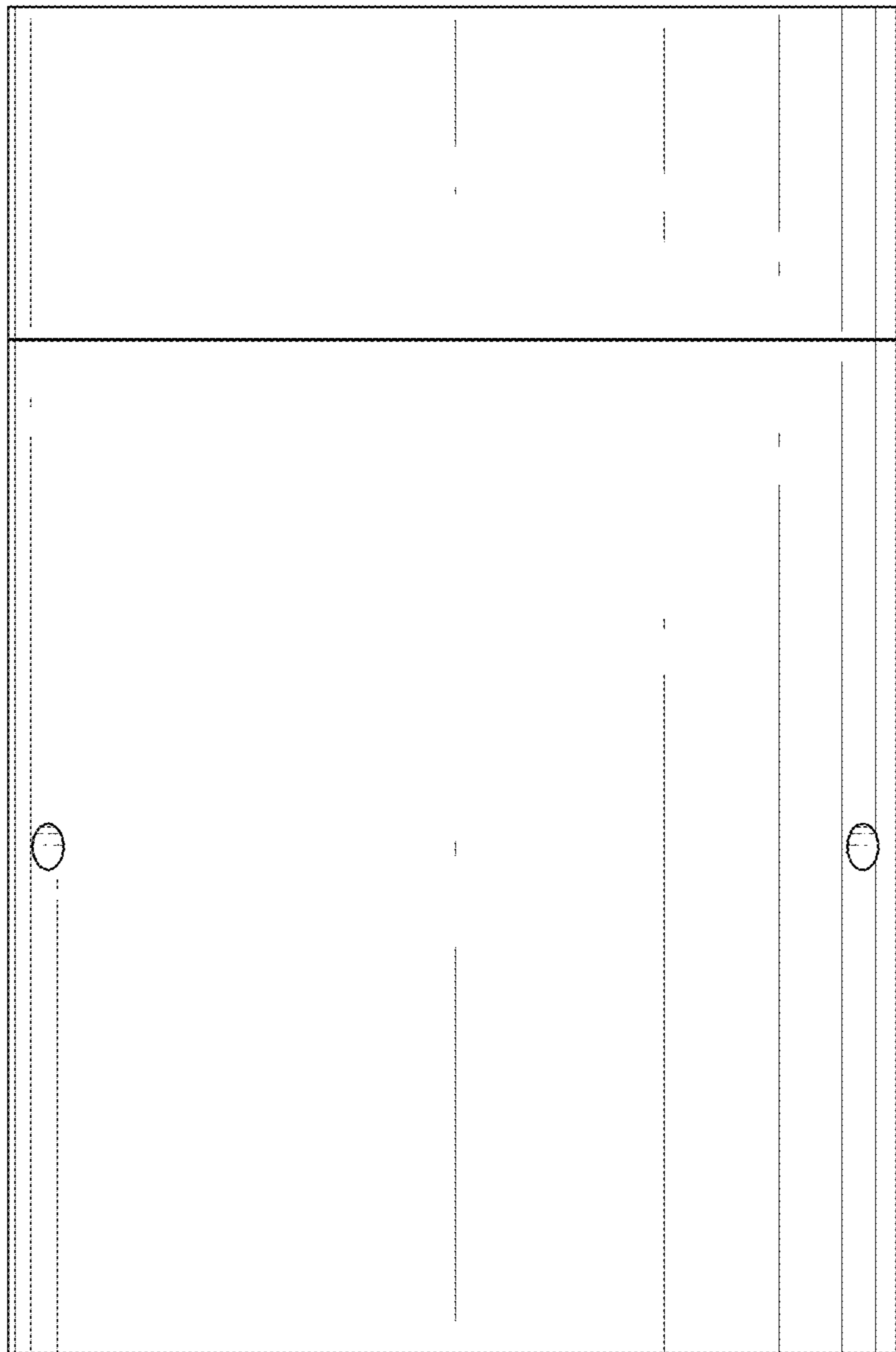


FIG. 4

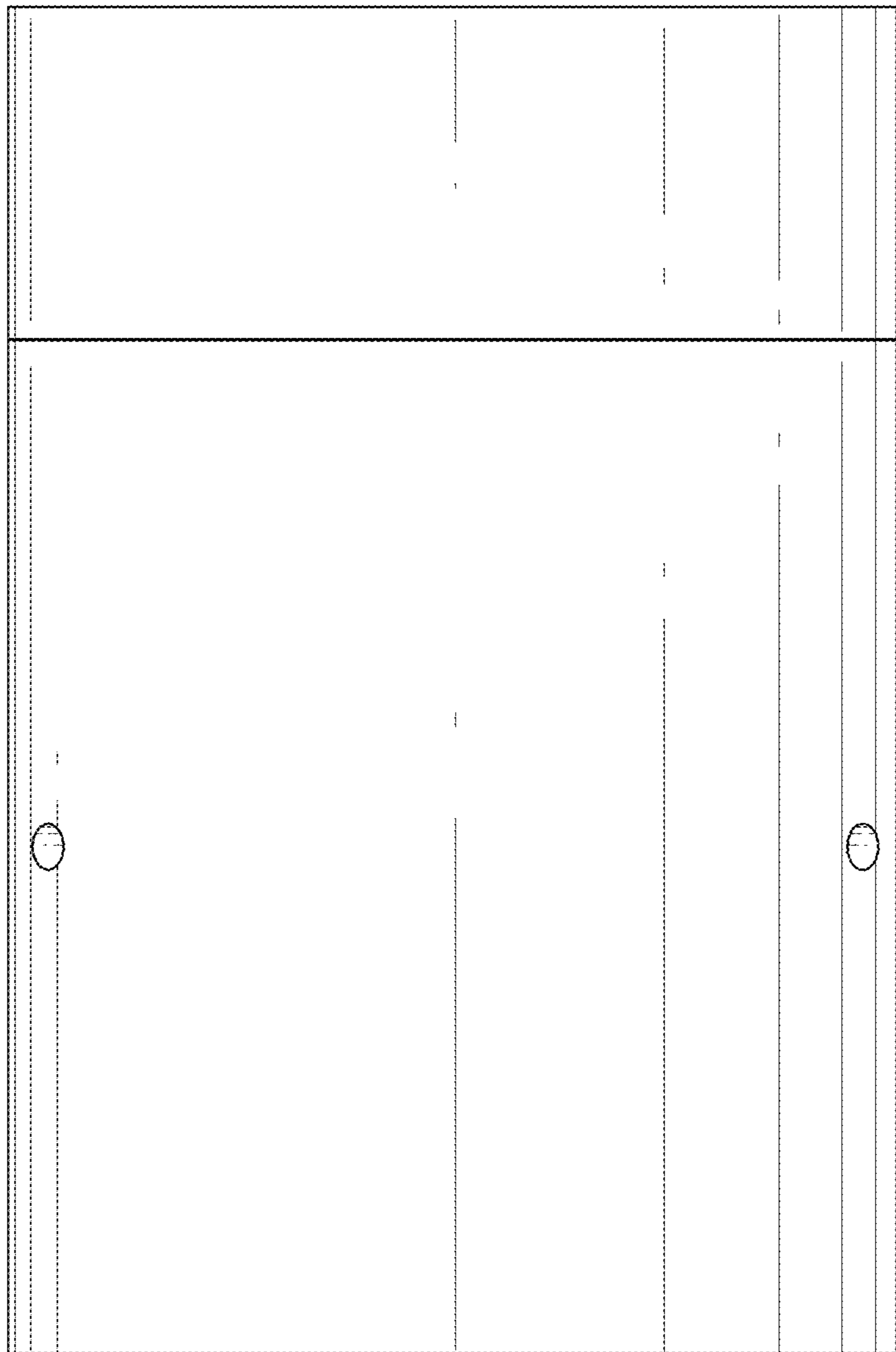


FIG. 5

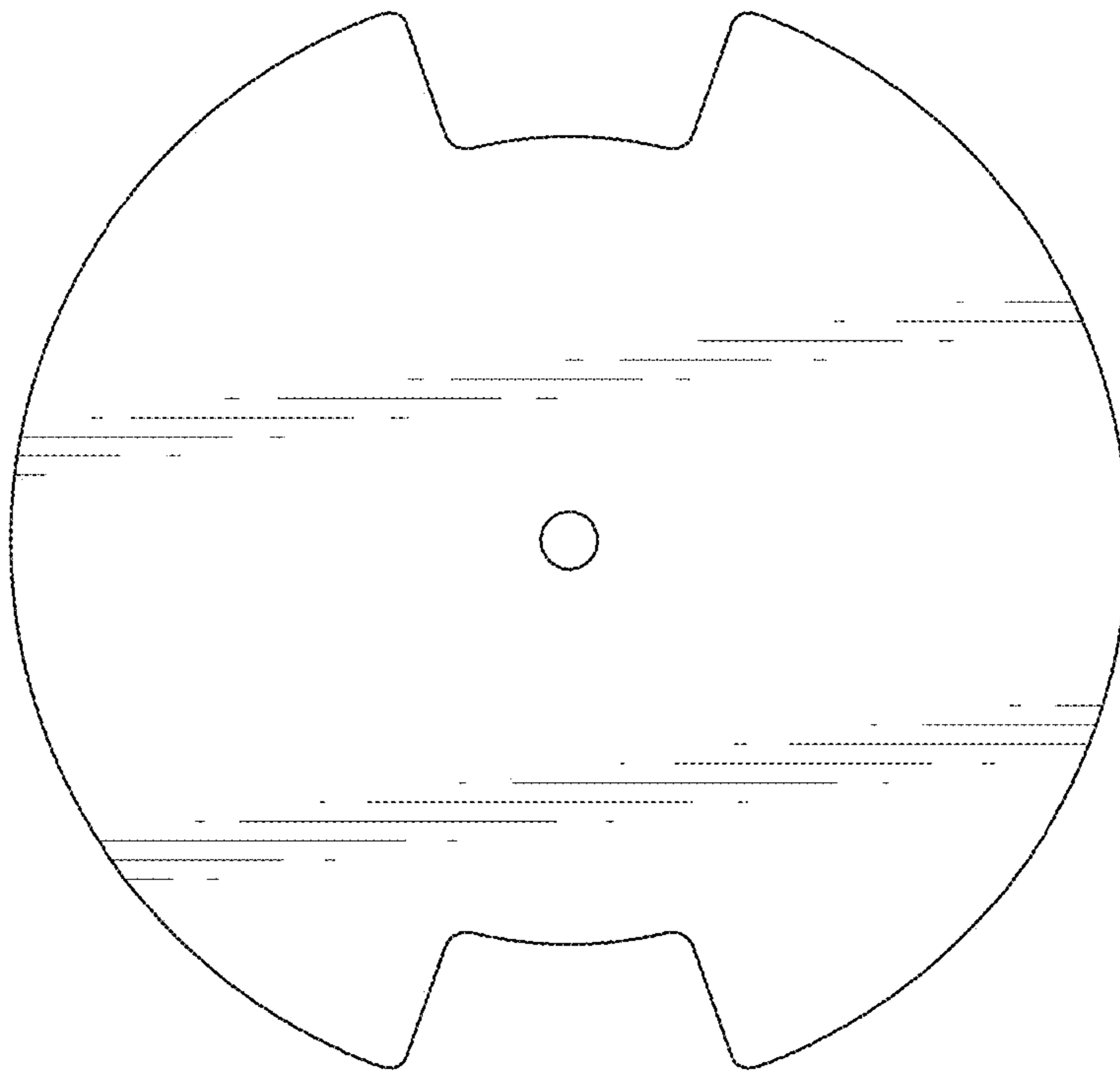


FIG. 6

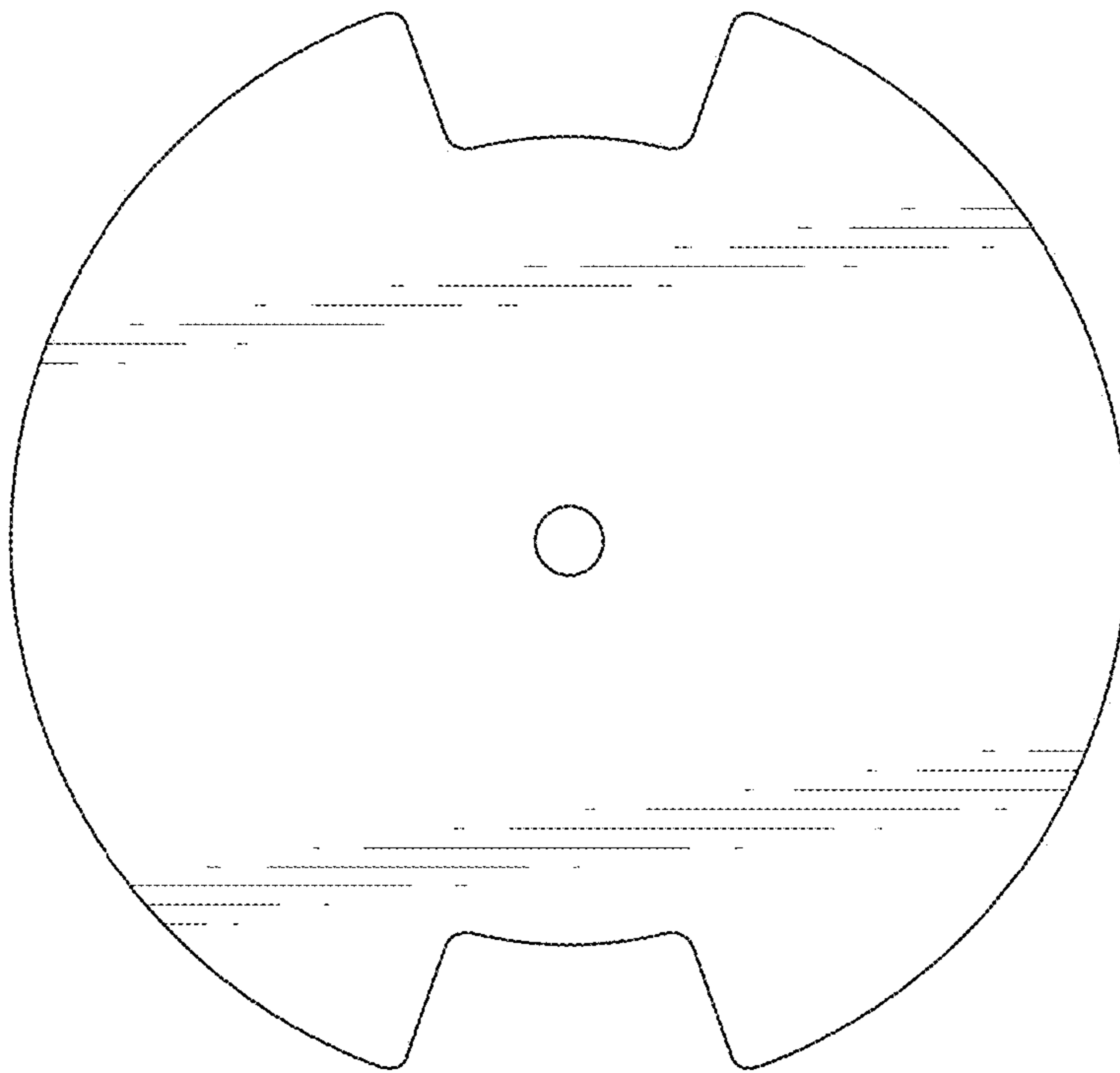


FIG. 7