



US00D914832S

(12) **United States Design Patent** (10) **Patent No.:** **US D914,832 S**  
**Sheridan** (45) **Date of Patent:** **\*\* Mar. 30, 2021**

(54) **RAIL MOUNTED WATERFALL**  
(71) Applicant: **Richard Sheridan**, Neptune, NJ (US)  
(72) Inventor: **Richard Sheridan**, Neptune, NJ (US)  
(\*\*) Term: **15 Years**  
(21) Appl. No.: **29/749,238**  
(22) Filed: **Sep. 3, 2020**  
(51) **LOC (13) Cl.** ..... **23-01**  
(52) **U.S. Cl.**  
USPC ..... **D23/201**; D25/39  
(58) **Field of Classification Search**  
USPC ..... D23/201, 404; D25/38.1, 126, 39, 124,  
D25/134, 135  
CPC ..... B05B 17/085; E04F 11/1853  
See application file for complete search history.

(56) **References Cited**  
U.S. PATENT DOCUMENTS  
4,747,538 A \* 5/1988 Dunn ..... B01F 3/0473  
119/255  
5,106,660 A \* 4/1992 Vorel ..... B44C 5/04  
40/406  
5,167,368 A \* 12/1992 Nash ..... B05B 17/085  
239/17  
5,226,935 A \* 7/1993 Wolff ..... B05B 17/085  
239/193  
5,794,318 A \* 8/1998 Parker ..... A61G 17/08  
27/1  
6,152,381 A \* 11/2000 Hones ..... B05B 1/044  
239/16  
6,203,394 B1 \* 3/2001 Lee ..... G09F 19/02  
40/406  
6,279,835 B1 \* 8/2001 Hansen ..... B05B 17/085  
239/17  
D470,215 S \* 2/2003 Lussier ..... D11/131  
D483,437 S \* 12/2003 Lussier ..... D23/201  
6,964,410 B1 \* 11/2005 Hansen ..... E04F 11/1812  
256/24

(Continued)

*Primary Examiner* — Sheryl Lane  
*Assistant Examiner* — Calvin E Vansant  
(74) *Attorney, Agent, or Firm* — Patterson + Sheridan,  
LLP

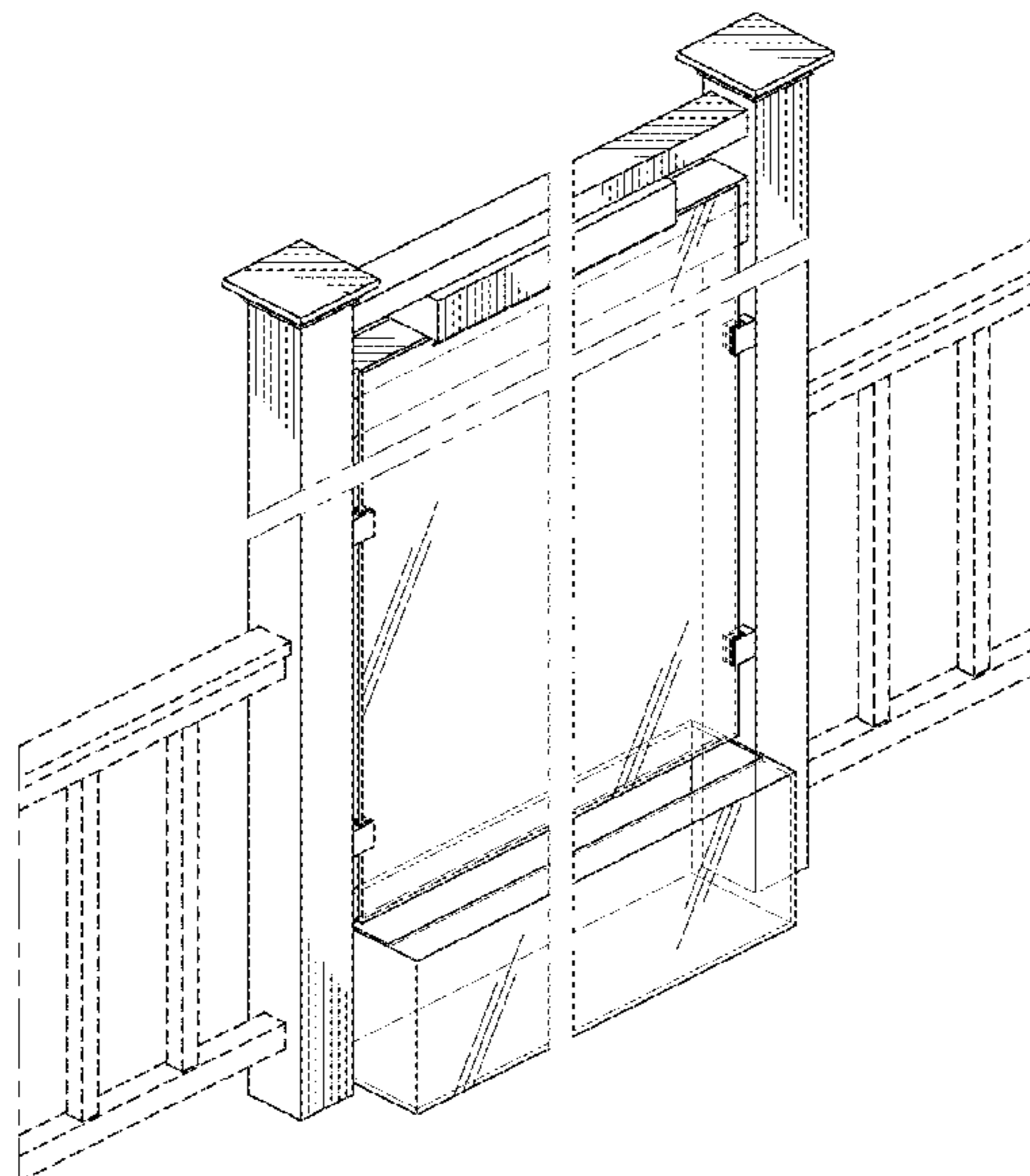
(57) **CLAIM**

The ornamental design for a rail mounted waterfall, as shown and described.

**DESCRIPTION**

FIG. 1 is a top front perspective view of a rail mounted waterfall illustrating railing (shown in dashed lines), post supports for a railing exit aperture, a glass panel and a basin. FIG. 2 is a bottom front perspective view of the rail mounted waterfall of FIG. 1. FIG. 3 is a front side view of the rail mounted waterfall of FIG. 1. FIG. 4 is a back side view of the rail mounted waterfall of FIG. 1. FIG. 5 is a right side view of the rail mounted waterfall of FIG. 1. FIG. 6 is a left side view of the rail mounted waterfall of FIG. 1. FIG. 7 is a bottom side view of the rail mounted waterfall of FIG. 1. FIG. 8 is a top side view of the rail mounted waterfall of FIG. 1; and, FIG. 9 is a front view of the rail mounted waterfall illustrating water from the waterfall flowing down the glass panel into the basin. In the drawings, the dash-dash broken lines show environmental subject matter that forms no part of the claimed design. The dot-dash lines represent unclaimed boundaries and form no part of the claimed design. FIG. 1 is shown with a symbolic break in its width and length. The appearance of any portion of the article between the break lines forms no part of the claimed design.

**1 Claim, 7 Drawing Sheets**



(56)

**References Cited**

U.S. PATENT DOCUMENTS

D583,484	S *	12/2008	Ferris .....	D25/38.1
8,225,539	B2 *	7/2012	Beebe .....	G09F 15/0012 40/406
D671,190	S	11/2012	Sheridan	
D673,659	S *	1/2013	Collins, IV .....	D23/283
D689,588	S	9/2013	Sheridan	
D689,589	S *	9/2013	Sheridan .....	D23/201
D698,425	S *	1/2014	Collins, IV .....	D23/283
D705,388	S *	5/2014	Ernst .....	D23/201
D705,403	S *	5/2014	Collins, IV .....	D23/283
2005/0258268	A1 *	11/2005	Watson .....	B05B 17/085 239/17
2006/0023469	A1 *	2/2006	Chernoff .....	B05B 17/085 362/565
2007/0023032	A1 *	2/2007	Wheeler .....	F24B 1/1808 126/500
2010/0001092	A1 *	1/2010	Kloppenber .....	C02F 1/505 239/20
2010/0187325	A1 *	7/2010	Houstoun .....	B05B 17/085 239/17
2013/0206859	A1 *	8/2013	Sheridan .....	B05B 17/085 239/17
2014/0151459	A1 *	6/2014	Sheridan .....	B05B 17/085 239/21

\* cited by examiner

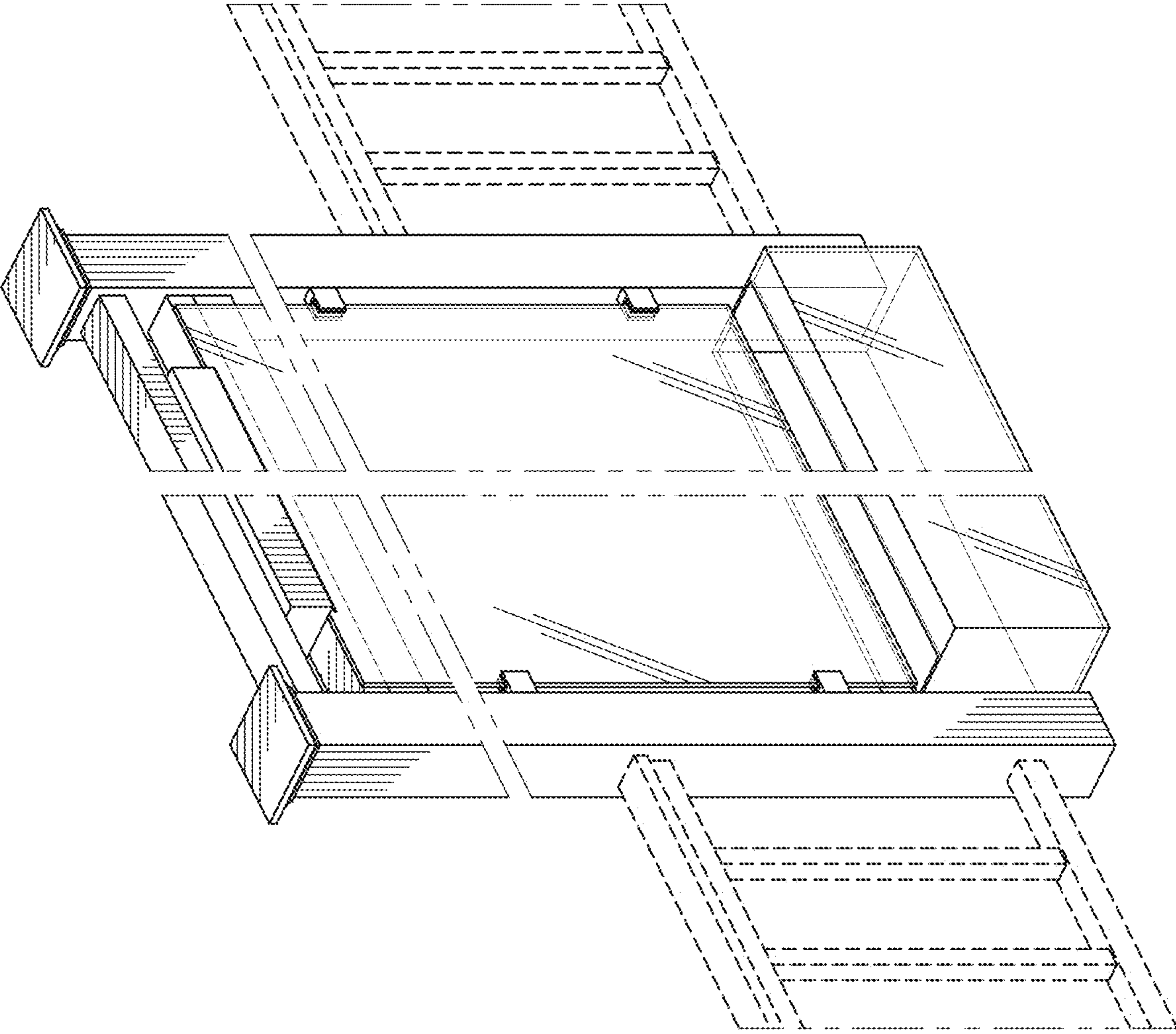


Fig. 1

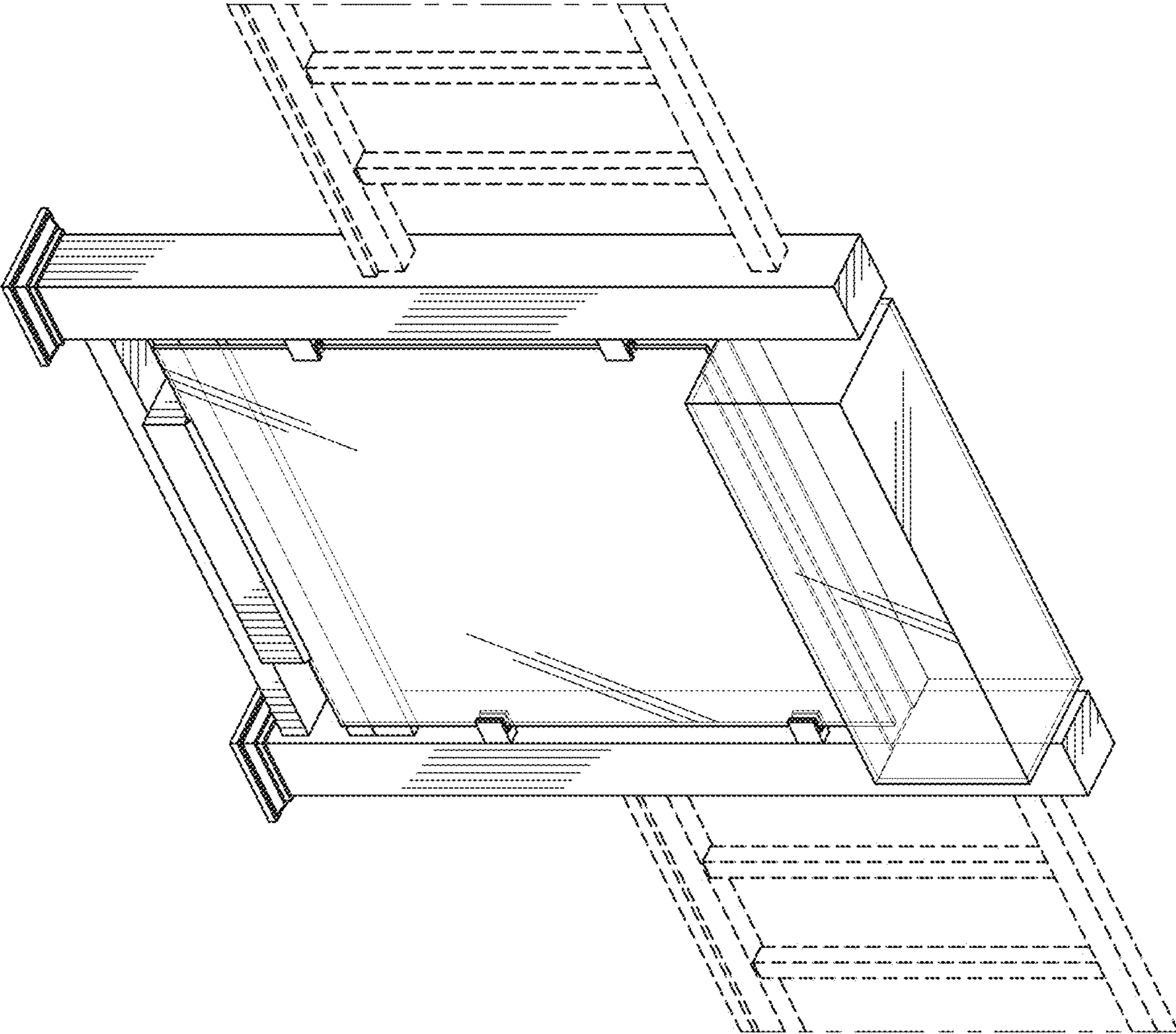


Fig. 2

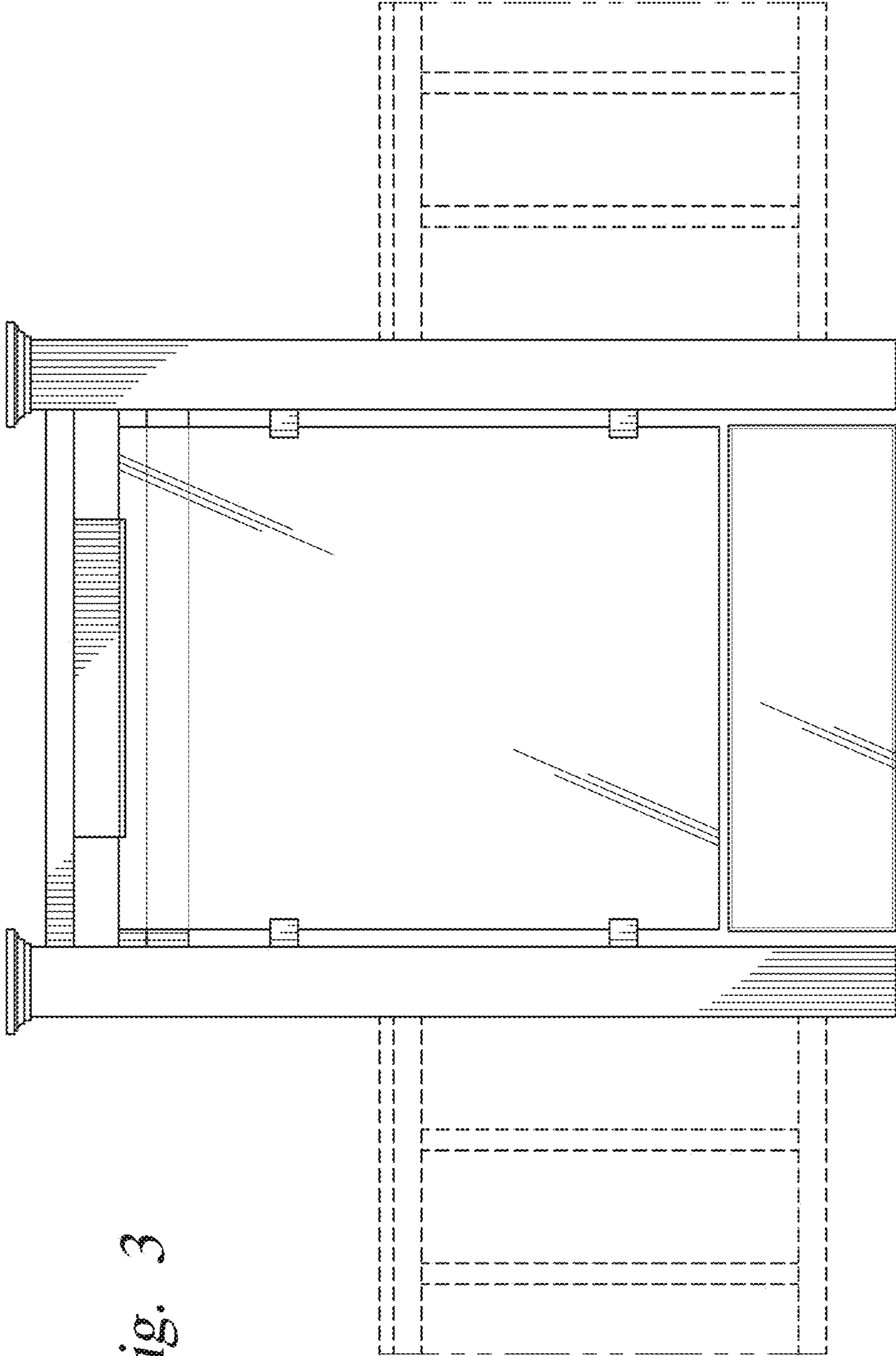


Fig. 3

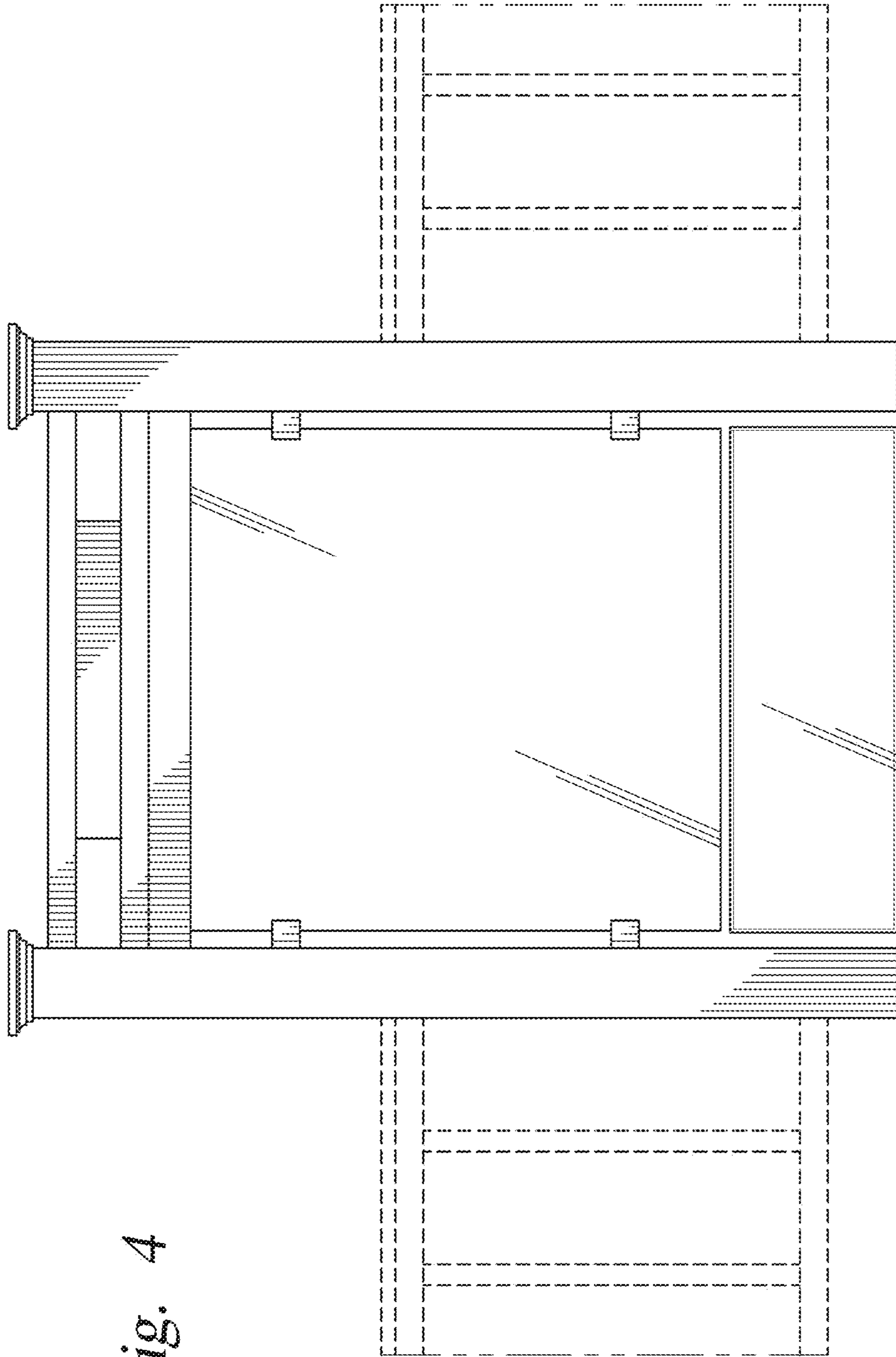


Fig. 4

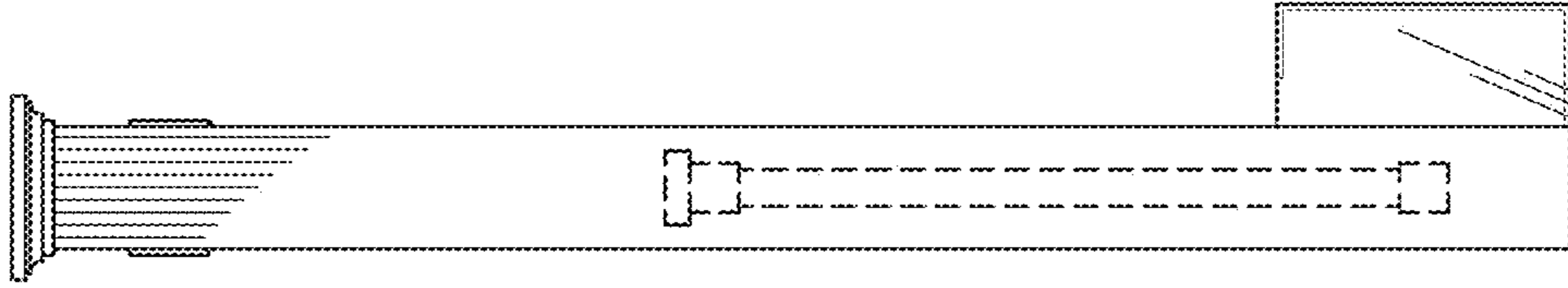


Fig. 6

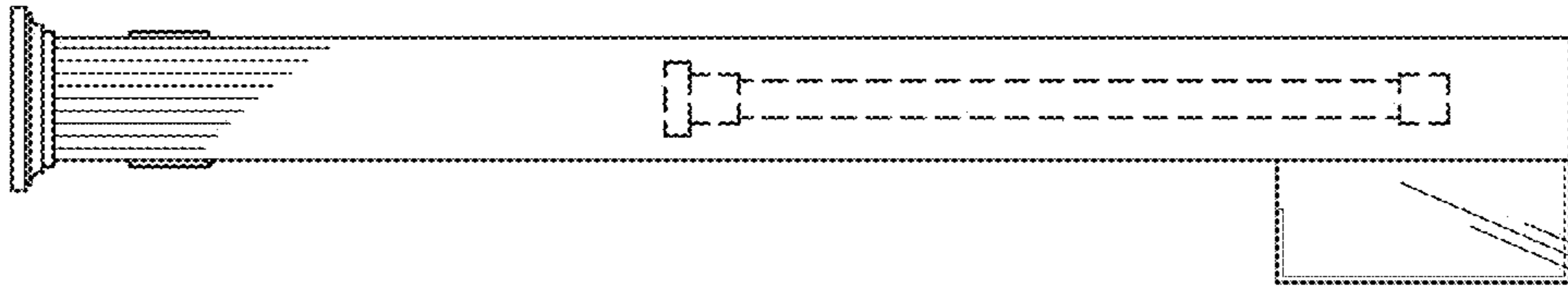


Fig. 5

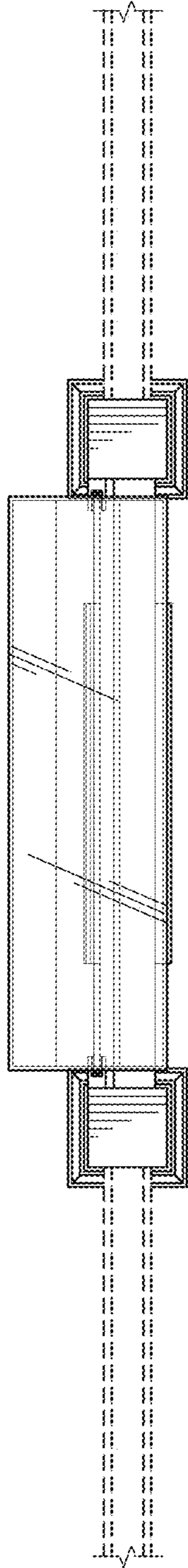


Fig. 7

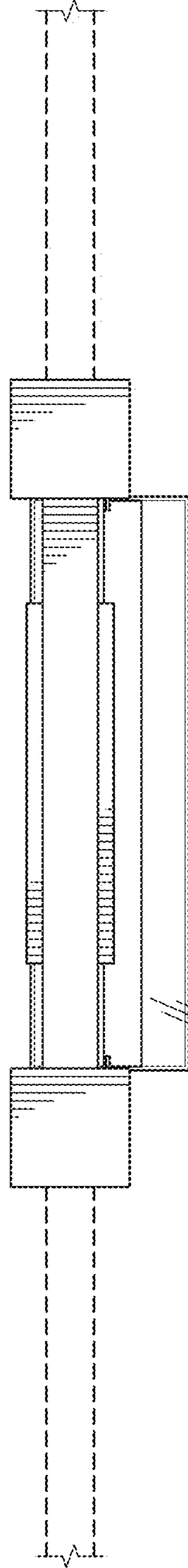


Fig. 8



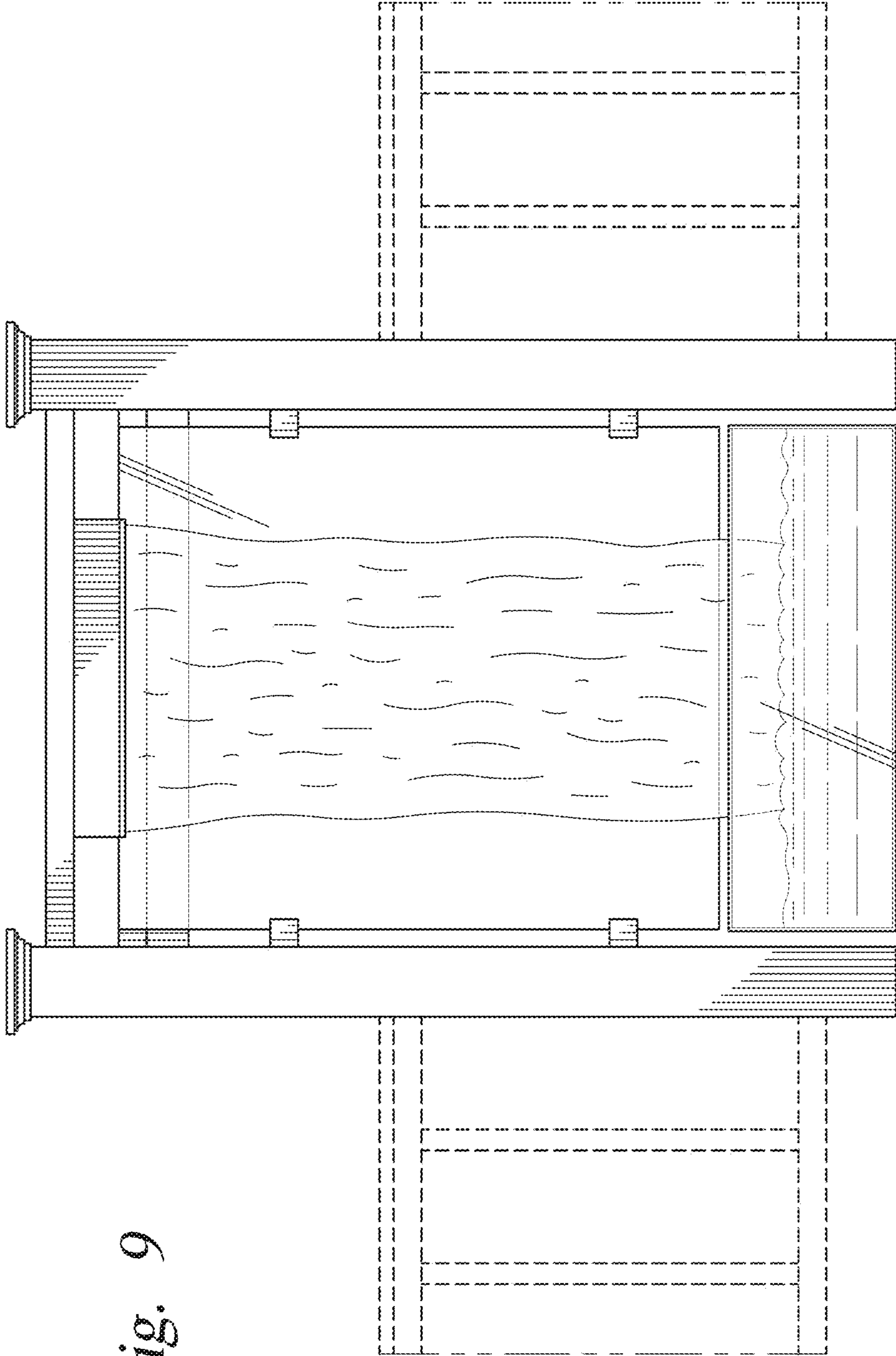


Fig. 9