



US00D914831S

(12) **United States Design Patent**  
**Henry**

(10) **Patent No.:** **US D914,831 S**  
(45) **Date of Patent:** **\*\* Mar. 30, 2021**

- (54) **HUNTING MIRROR**
- (71) Applicant: **Roger Henry**, Mohnton, PA (US)
- (72) Inventor: **Roger Henry**, Mohnton, PA (US)
- (\*\*) Term: **15 Years**
- (21) Appl. No.: **29/701,923**
- (22) Filed: **Aug. 15, 2019**
- (51) **LOC (13) Cl.** ..... **22-99**
- (52) **U.S. Cl.**  
USPC ..... **D22/199**; D3/215
- (58) **Field of Classification Search**  
USPC ..... D22/199; D6/300; 43/1; 359/881, 872,  
359/838, 863, 871, 879, 854; 248/489,  
248/493, 495, 476  
CPC ..... A01M 31/00; G02B 7/182  
See application file for complete search history.

8,485,676 B2 7/2013 McCarty, Jr.  
D775,309 S \* 12/2016 Newman ..... D22/199  
2004/0125477 A1 7/2004 Carter

**OTHER PUBLICATIONS**

GhostBlind Industries Predator Mirror Ground Blind. [https://www.scheels.com/p/ghostblind-industries-predator-mirror-ground-blind/85680500202.html?store=&gclid=EALalQobChMlvsag14Tx7QIVGUqGCh1AvQHWEAQYCiABEgLfE\\_D\\_BwE](https://www.scheels.com/p/ghostblind-industries-predator-mirror-ground-blind/85680500202.html?store=&gclid=EALalQobChMlvsag14Tx7QIVGUqGCh1AvQHWEAQYCiABEgLfE_D_BwE) (Year: 2018).\*

\* cited by examiner

*Primary Examiner* — Catherine R Oliver-Garcia

(57) **CLAIM**

The ornamental design for a hunting mirror, as shown and described.

**DESCRIPTION**

FIG. 1 is a front view of a hunting mirror showing my new design;  
FIG. 2 is a rear view of the hunting mirror;  
FIG. 3 is a right side view of the hunting mirror;  
FIG. 4 is a left side view of the hunting mirror;  
FIG. 5 is a top view of the hunting mirror;  
FIG. 6 is a bottom view of the hunting mirror;  
FIG. 7 is a top rear side perspective view of the hunting mirror; and,  
FIG. 8 is a top front side perspective view of the hunting mirror.  
The broken lines are illustrative of environmental structure forming no part of the claimed design.

**1 Claim, 4 Drawing Sheets**

- (56) **References Cited**  
U.S. PATENT DOCUMENTS
- 2,791,051 A \* 5/1957 Scheyer ..... A47G 1/162  
D6/300
- 4,487,479 A 12/1984 Tolomeo, Sr.
- 5,103,347 A 4/1992 Lumbra
- 5,383,061 A 1/1995 Lanier
- D406,312 S 3/1999 Fusca
- 5,943,175 A 8/1999 La Viola
- 6,220,717 B1 4/2001 Pastore
- 7,063,427 B1 6/2006 Cutler
- D653,041 S \* 1/2012 Henry ..... D6/300
- 8,157,394 B1 4/2012 Downing

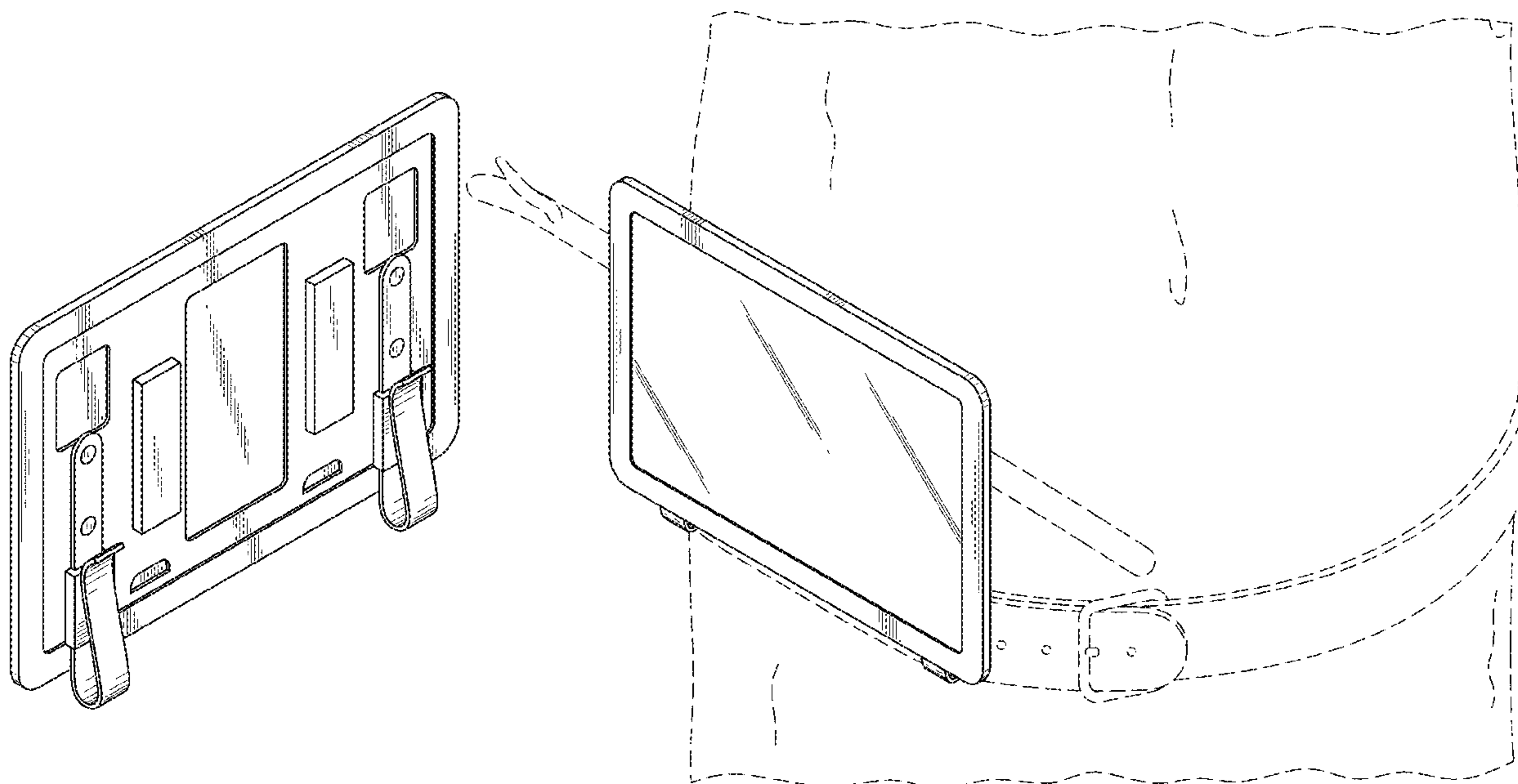


FIG. 1

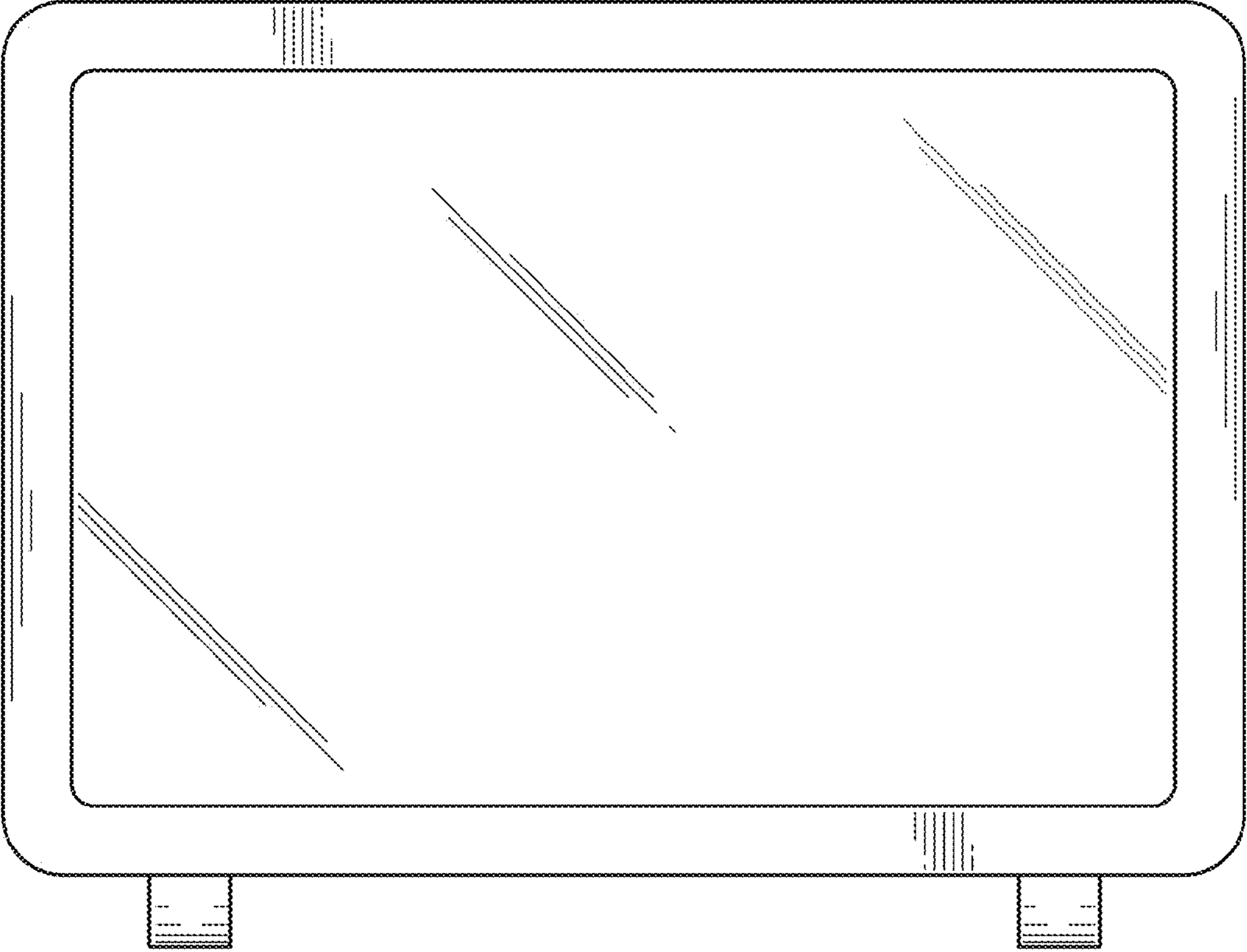


FIG. 2

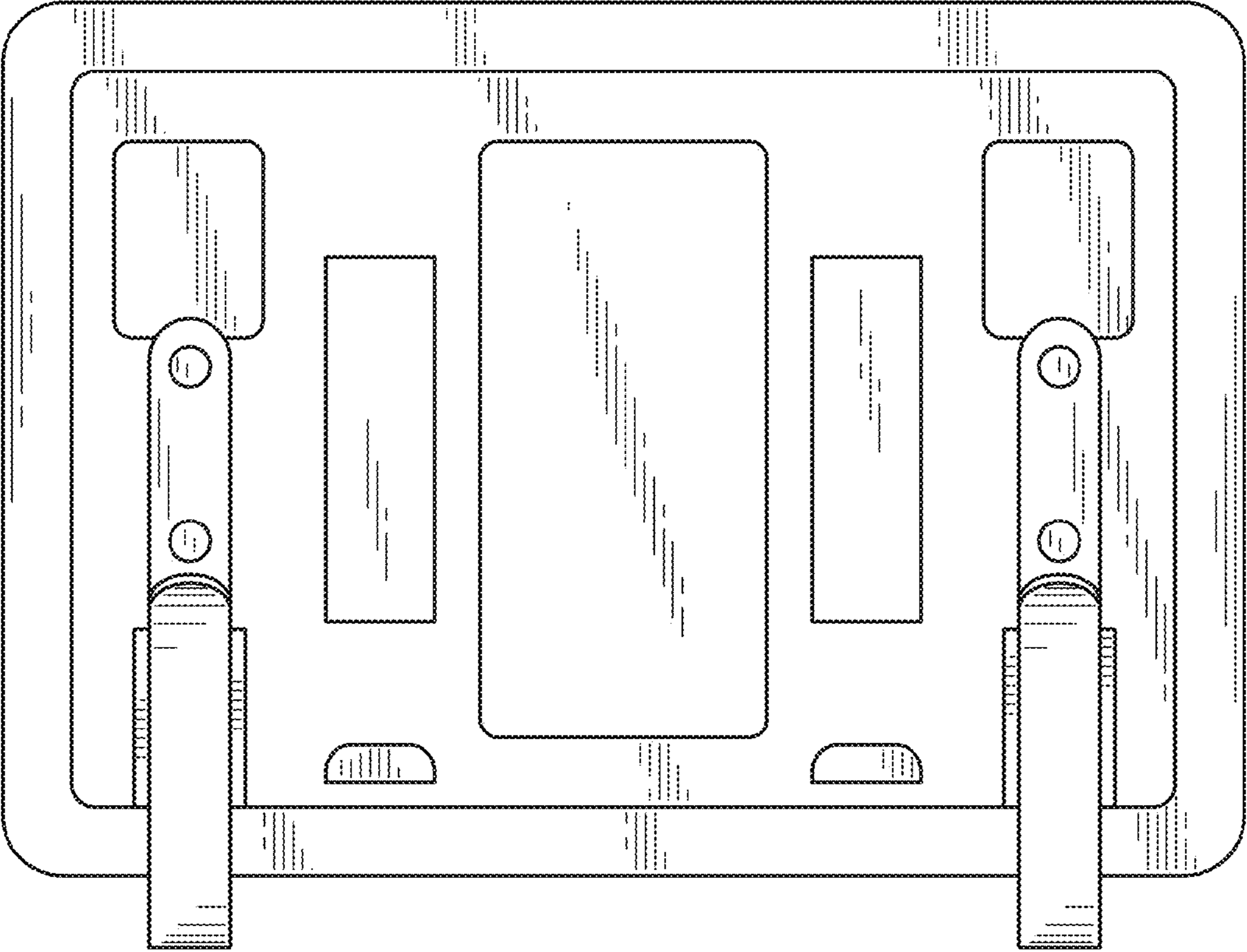


FIG. 3

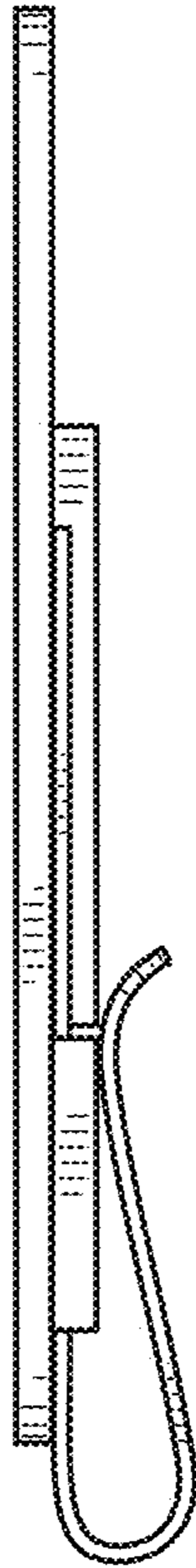


FIG. 4

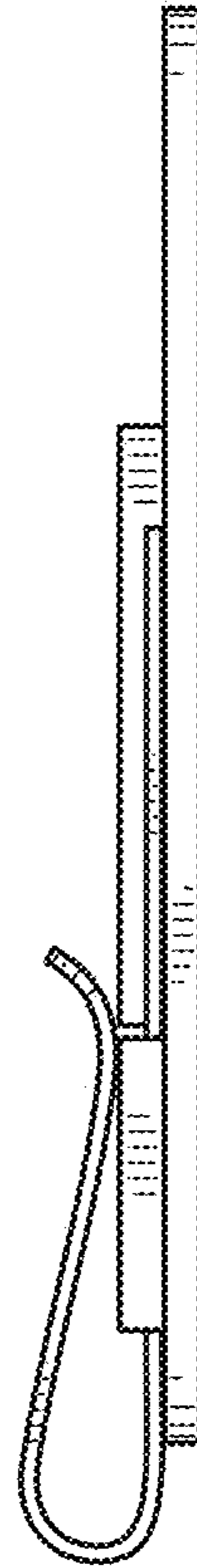


FIG. 5



FIG. 6

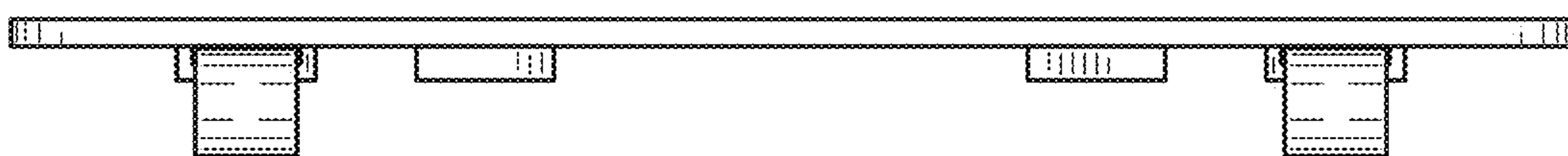
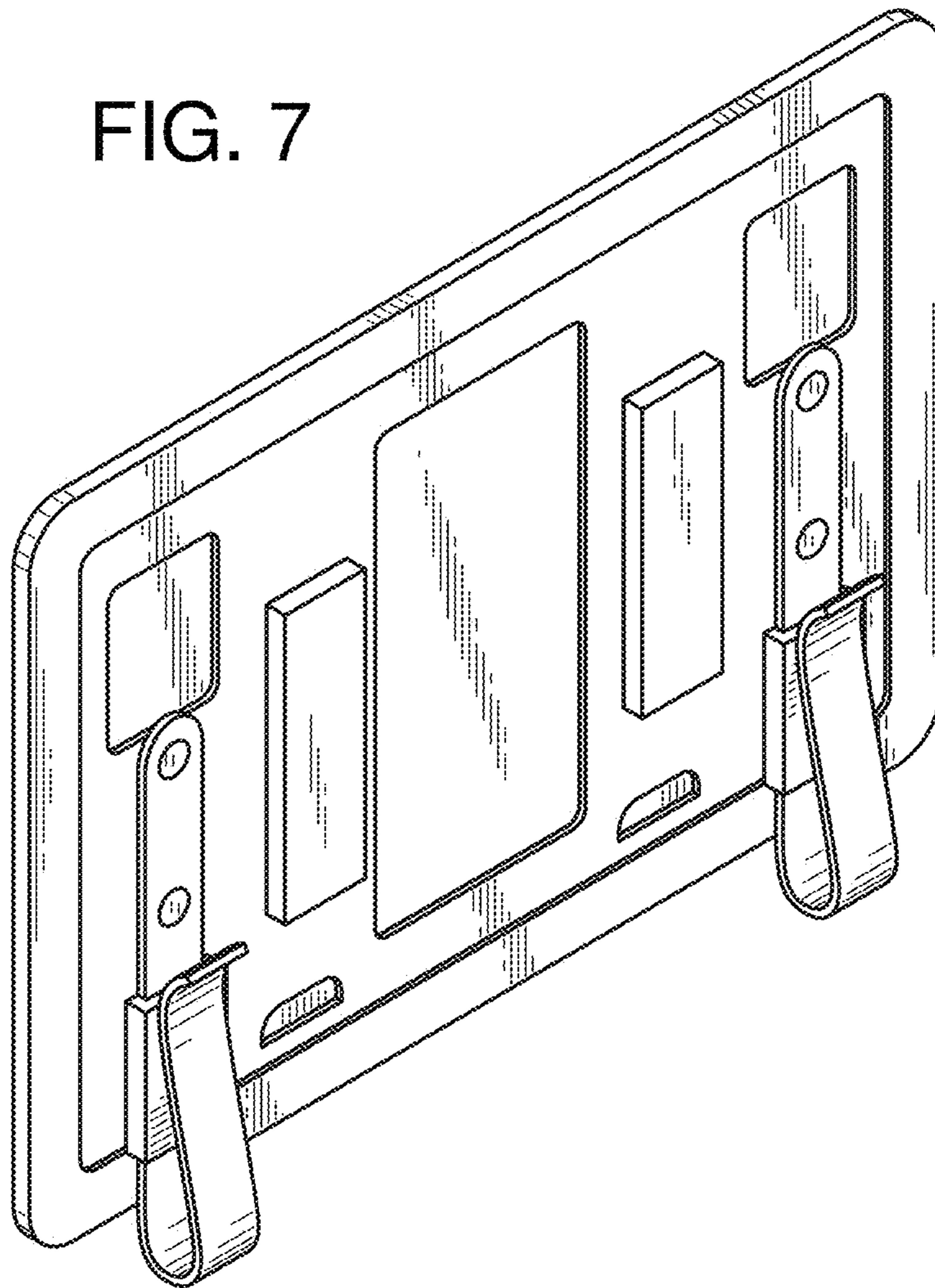


FIG. 7



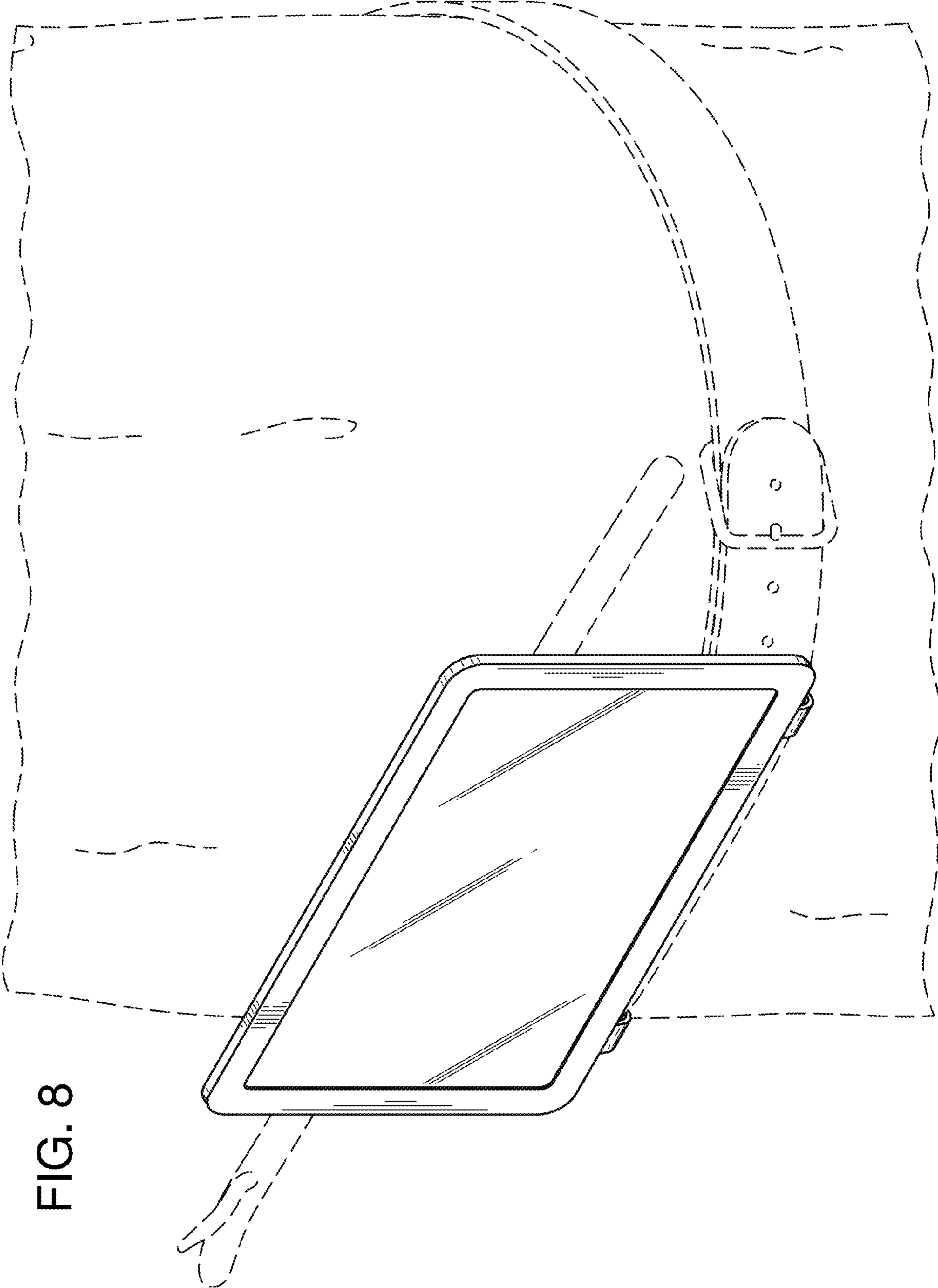


FIG. 8