



US00D914830S

(12) **United States Design Patent**
Krueger

(10) **Patent No.:** **US D914,830 S**

(45) **Date of Patent:** **** Mar. 30, 2021**

- (54) **RODENT TRAP BAIT HOLDER**
- (71) Applicant: **Chad Krueger**, San Jose, CA (US)
- (72) Inventor: **Chad Krueger**, San Jose, CA (US)
- (**) Term: **15 Years**
- (21) Appl. No.: **29/728,598**
- (22) Filed: **Mar. 19, 2020**
- (51) **LOC (13) Cl.** **22-06**
- (52) **U.S. Cl.**
USPC **D22/119**
- (58) **Field of Classification Search**
USPC D22/119-120; 43/58, 81-82, 96, 121;
D30/129; D23/366
CPC A01M 23/00; A01M 23/30
See application file for complete search history.

(56) **References Cited**

U.S. PATENT DOCUMENTS

- 1,485,494 A * 3/1924 Edwards A01M 23/30
43/81
- 2,175,754 A 10/1939 Harrison
- D160,890 S * 11/1950 Reifsnyderetal D22/119
- 3,058,256 A 10/1962 Wernham
- 3,968,589 A * 7/1976 Basham A01M 23/30
43/81
- 4,212,128 A 7/1980 Vance

- D274,545 S * 7/1984 McClelland D22/119
- D275,511 S 9/1984 Nagel
- D289,314 S * 4/1987 Frisch D22/119
- 4,677,786 A 7/1987 Frank
- D372,068 S * 7/1996 Disanto D22/119
- 9,119,390 B1 9/2015 Greenfield
- 2005/0274056 A1 * 12/2005 Peters A01M 23/30
43/58
- 2018/0271083 A1 9/2018 Crezee

* cited by examiner

Primary Examiner — Catherine R Oliver-Garcia

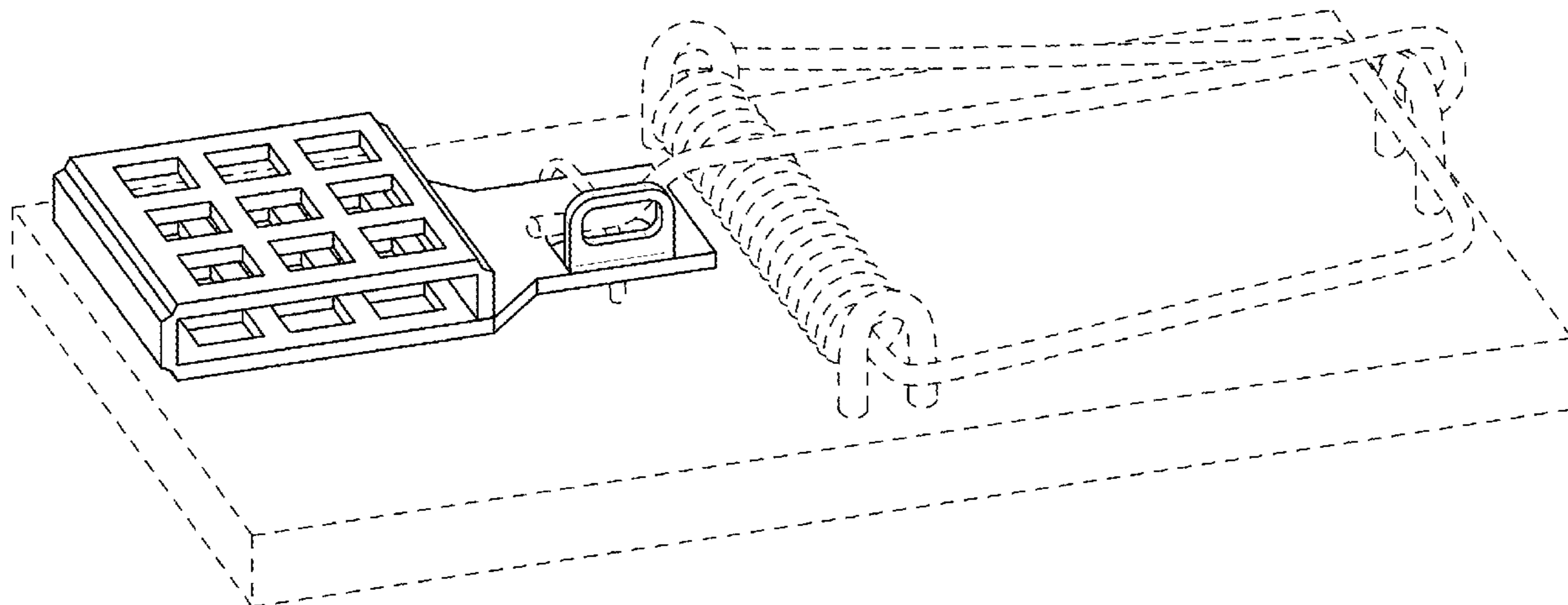
(57) **CLAIM**

The ornamental design for a rodent trap bait holder, as shown and described.

DESCRIPTION

FIG. 1 is a front view of a rodent trap bait holder showing my new design;
 FIG. 2 is a rear view of the rodent trap bait holder;
 FIG. 3 is a right side view of the rodent trap bait holder;
 FIG. 4 is a left side view of the rodent trap bait holder;
 FIG. 5 is a top view of the rodent trap bait holder;
 FIG. 6 is a bottom view of the rodent trap bait holder;
 FIG. 7 is a top front side perspective view of the rodent trap bait holder; and,
 FIG. 8 is a top front side perspective view of the rodent trap bait holder in use in an alternative position.
 The broken lines in FIG. 8 are illustrative of environmental structure forming no part of the claimed design.

1 Claim, 5 Drawing Sheets



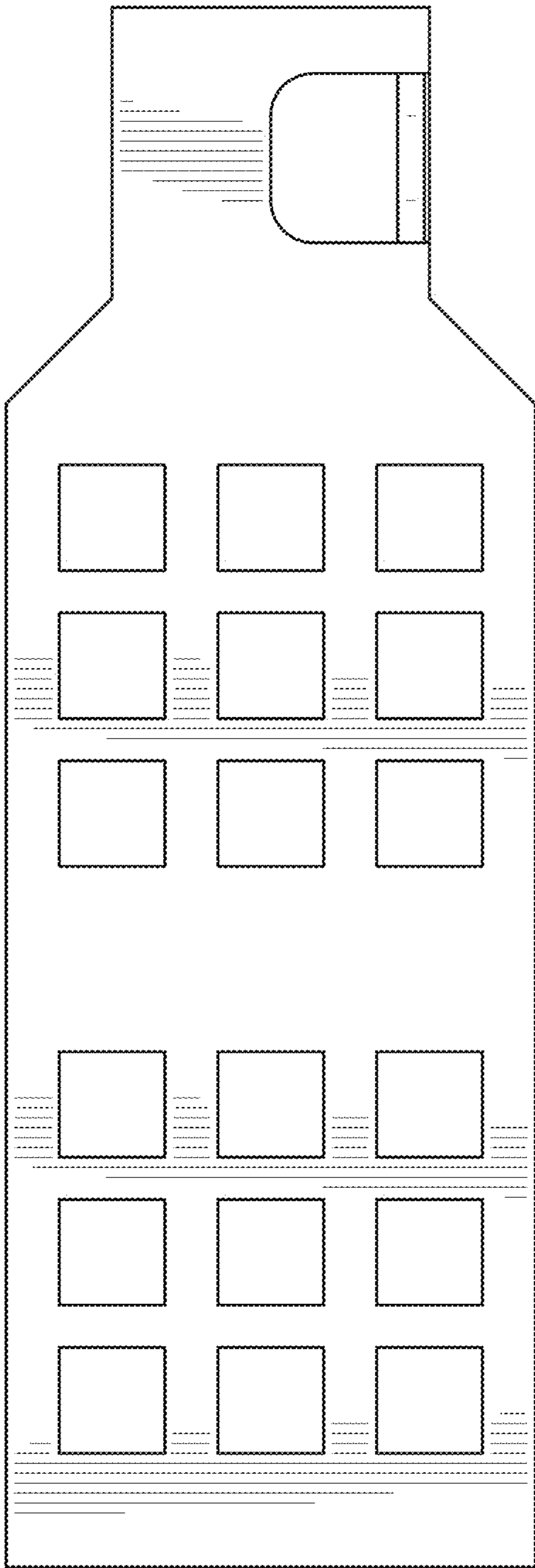


FIG. 1

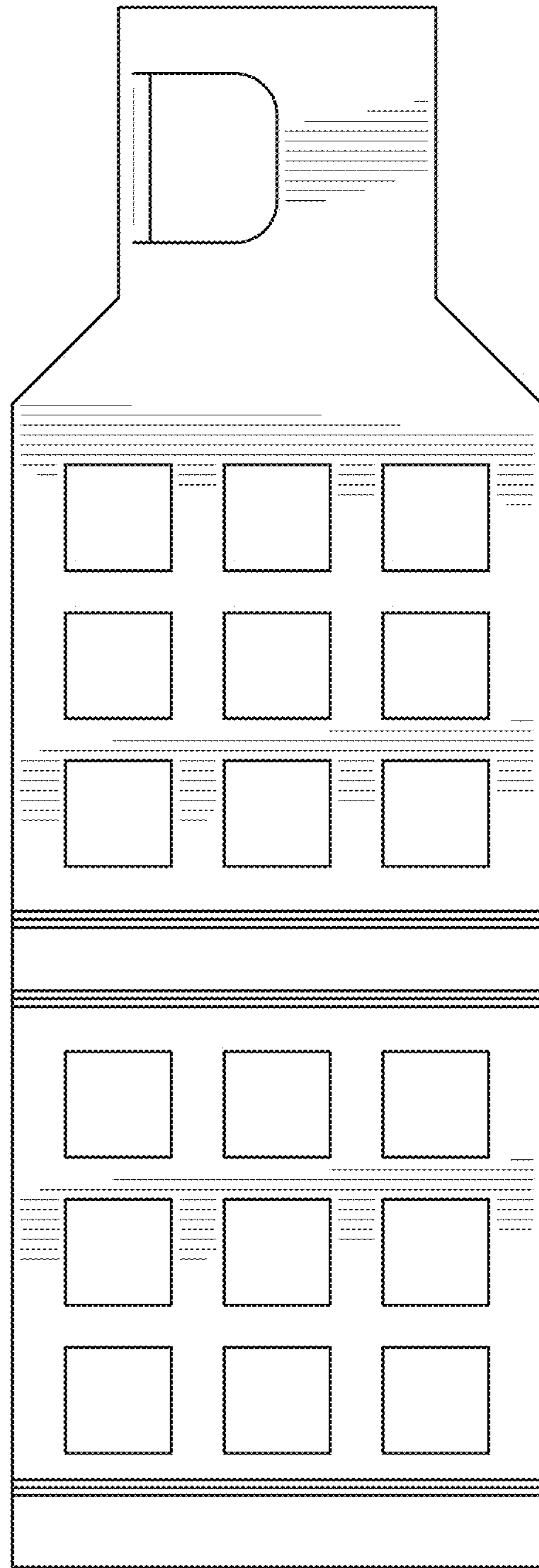


FIG. 2

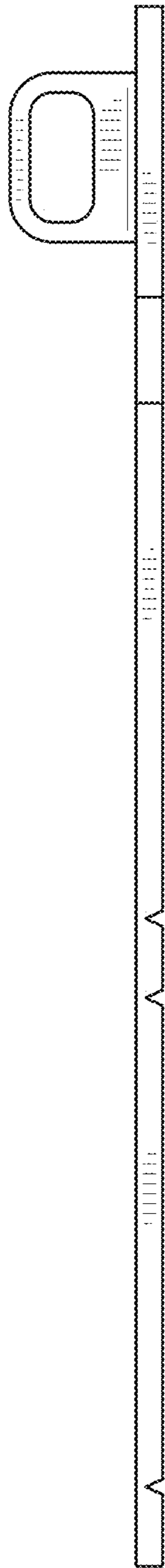


FIG. 3

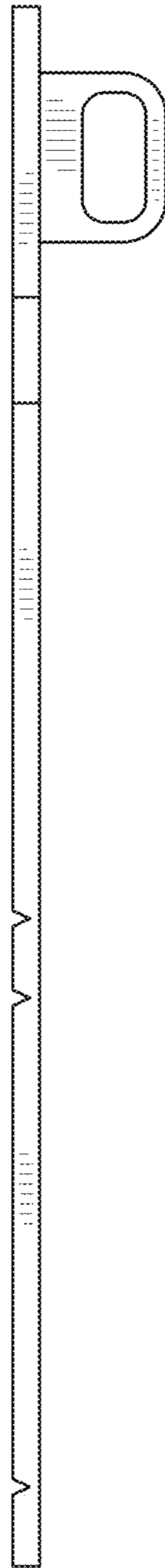


FIG. 4



FIG. 5

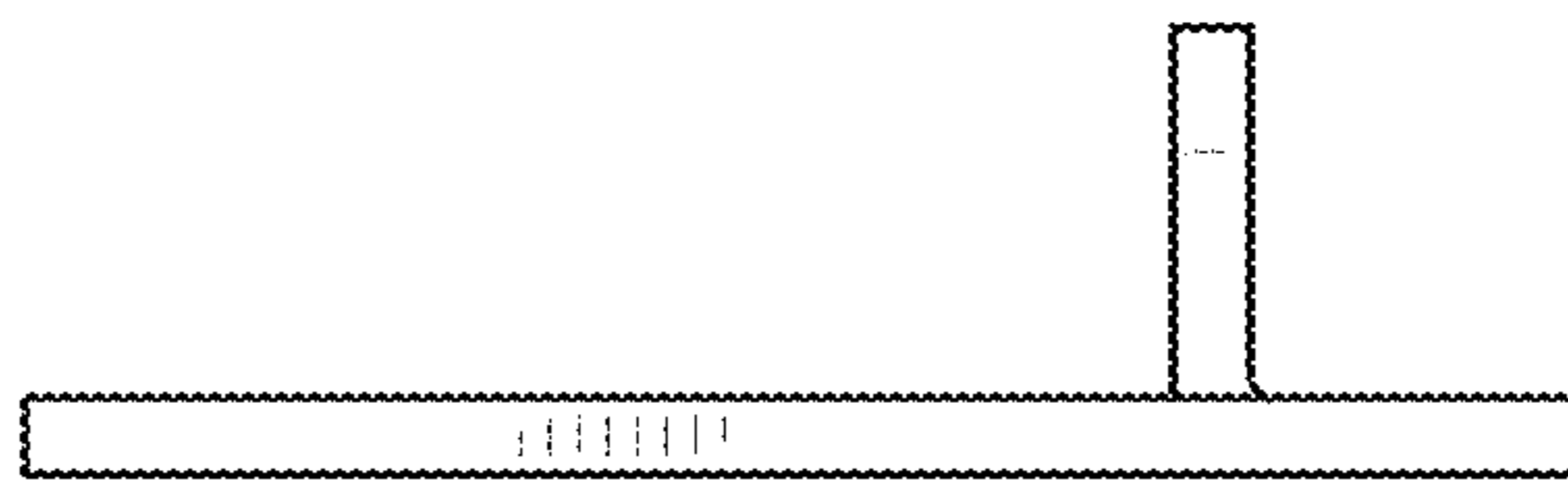


FIG. 6

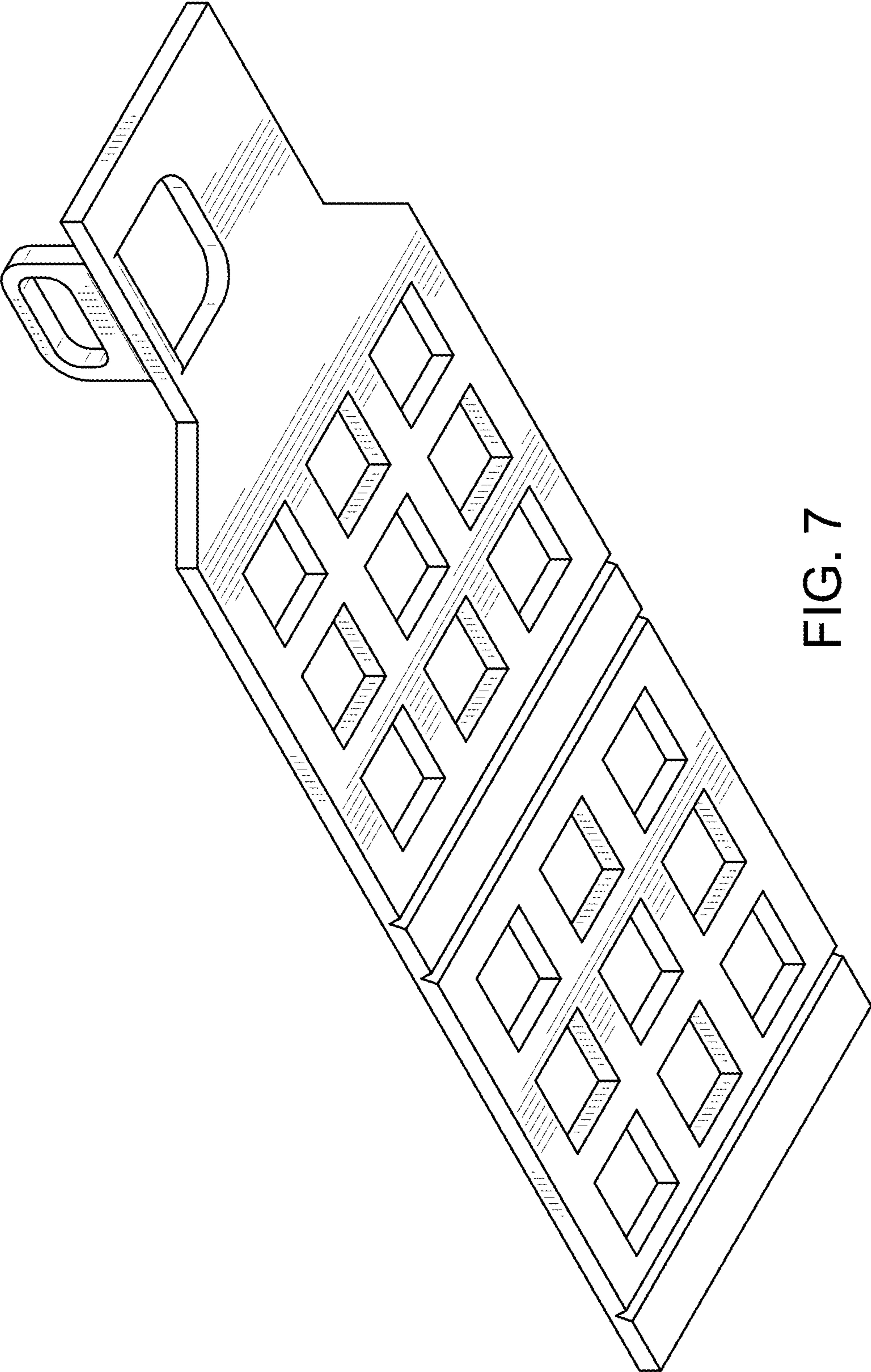


FIG. 7

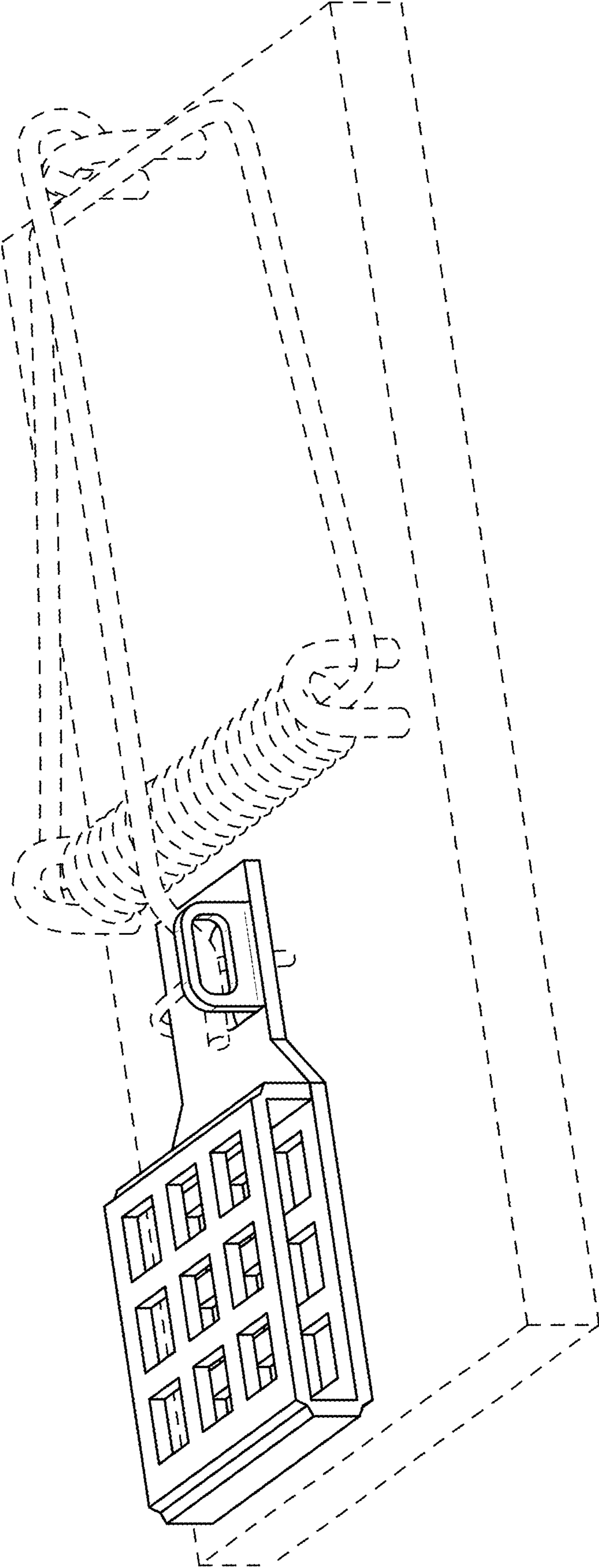


FIG. 8