



US00D914826S

(12) **United States Design Patent** (10) **Patent No.:** **US D914,826 S**  
**Andon** (45) **Date of Patent:** **\*\* Mar. 30, 2021**

(54) **SWING SEAT**  
(71) Applicant: **VULY IP HOLDINGS NO. 2 PTY LTD**, Wakerley (AU)  
(72) Inventor: **Joe Andon**, Gumdale (AU)  
(\*\*) Term: **15 Years**  
(21) Appl. No.: **29/682,782**  
(22) Filed: **Mar. 7, 2019**  
(30) **Foreign Application Priority Data**  
Sep. 7, 2018 (AU) ..... 201815424  
(51) **LOC (13) Cl.** ..... **21-03**  
(52) **U.S. Cl.**  
USPC ..... **D21/823**  
(58) **Field of Classification Search**  
USPC ..... D21/811, 814, 822-825  
CPC ..... A63G 9/00-9/22  
See application file for complete search history.

(56) **References Cited**  
U.S. PATENT DOCUMENTS  
1,870,748 A \* 8/1932 Ramey ..... A63G 9/00  
472/118  
3,186,711 A \* 6/1965 Morrow ..... A63B 69/0091  
472/118  
3,462,195 A \* 8/1969 Allen ..... A63G 9/02  
297/452.1  
D244,708 S \* 6/1977 Yates ..... D21/823  
D251,262 S \* 3/1979 Barrett ..... D21/822  
D252,413 S \* 7/1979 Knight ..... D21/825  
D254,022 S \* 1/1980 Knight ..... 472/118  
D254,023 S \* 1/1980 Knight ..... D21/825  
D260,109 S \* 8/1981 Ahrens ..... D21/823  
4,296,923 A \* 10/1981 Ahrens ..... A63G 9/00  
472/118  
D268,860 S \* 5/1983 Yevak ..... D21/823

D272,260 S \* 1/1984 Budde ..... D21/825  
D273,967 S \* 5/1984 Budde ..... D21/825  
D274,285 S \* 6/1984 Budde ..... D21/825  
D274,286 S \* 6/1984 Budde ..... D21/825  
D274,347 S \* 6/1984 Budde ..... D21/825  
D277,022 S \* 1/1985 Ziegler, Jr. .... D21/823  
D337,806 S \* 7/1993 Nolan ..... D21/823  
D339,623 S \* 9/1993 Nolan ..... D21/823  
D339,624 S \* 9/1993 Nolan ..... D21/823  
D340,103 S \* 10/1993 Nolan ..... D21/824  
D343,671 S \* 1/1994 Smith ..... D21/823  
5,611,761 A \* 3/1997 Brown ..... A63G 9/00  
473/442  
D384,388 S \* 9/1997 Eddy ..... D21/823  
D387,120 S \* 12/1997 Davignon, II ..... D21/825  
D387,121 S \* 12/1997 Davignon, II ..... D21/825  
D410,722 S \* 6/1999 Davignon, II ..... D21/823  
D412,939 S \* 8/1999 Davignon, II ..... D21/823  
D520,591 S \* 5/2006 Popp ..... D21/823  
D571,889 S \* 6/2008 Goransson ..... D21/823

(Continued)

*Primary Examiner* — Mitchell I. Siegel  
(74) *Attorney, Agent, or Firm* — Scott D. Swanson;  
Shaver & Swanson, LLP

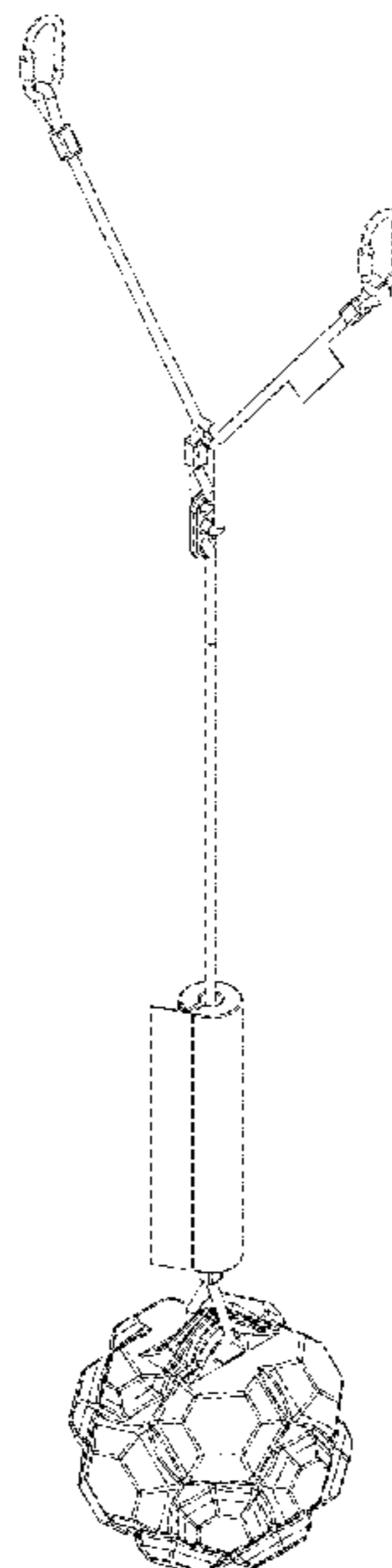
(57) **CLAIM**

The ornamental design for a swing seat, as shown and described.

**DESCRIPTION**

FIG. 1 is a front view of a swing seat showing my new design;  
FIG. 2 is a side view thereof;  
FIG. 3 is a perspective view thereof;  
FIG. 4 is a top view thereof; and,  
FIG. 5 is a bottom view thereof.  
Any broken line showing of connecting components is for the purpose of illustrating environmental structure and forms no part of the claimed design.

**1 Claim, 4 Drawing Sheets**



(56)

**References Cited**

U.S. PATENT DOCUMENTS

8,794,702 B2 \* 8/2014 Brown ..... A63G 1/16  
297/273  
9,241,860 B2 \* 1/2016 Palizza ..... A63G 9/00  
D824,472 S \* 7/2018 Biancofiore ..... D21/825  
D863,486 S \* 10/2019 Blackwood ..... D21/823

\* cited by examiner

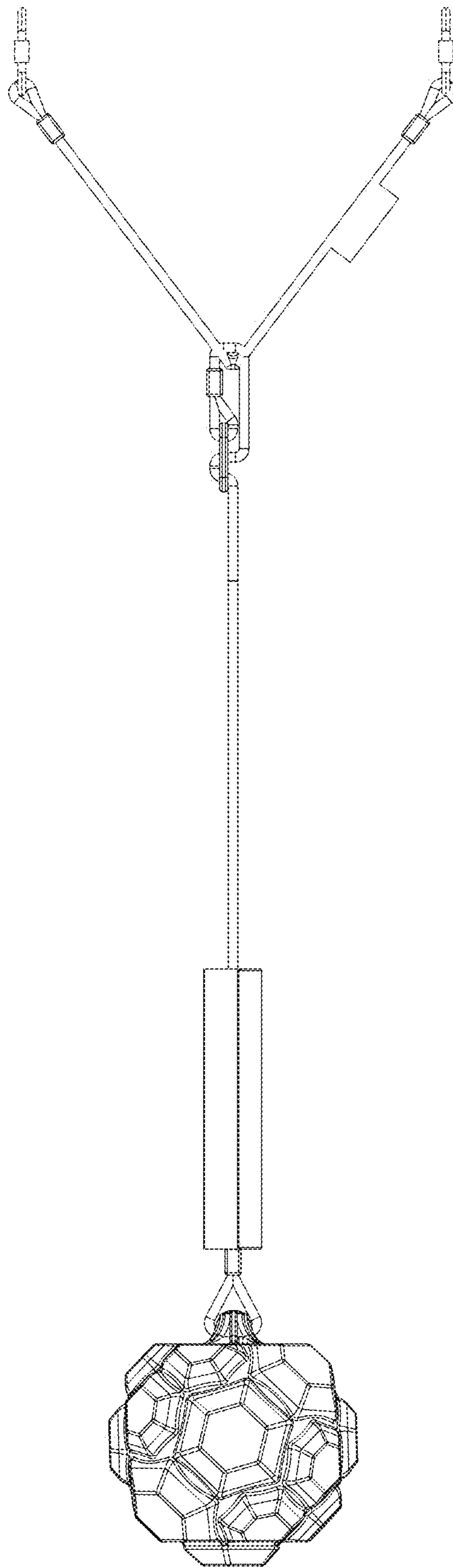


Fig. 1

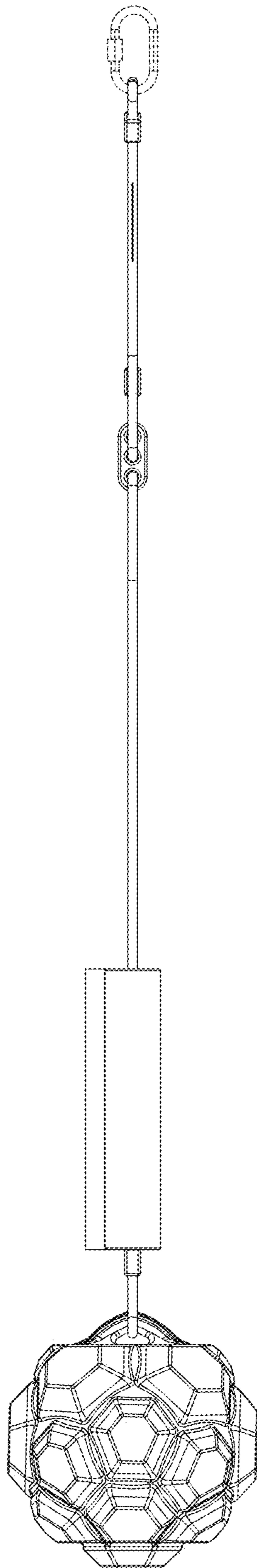


Fig. 2

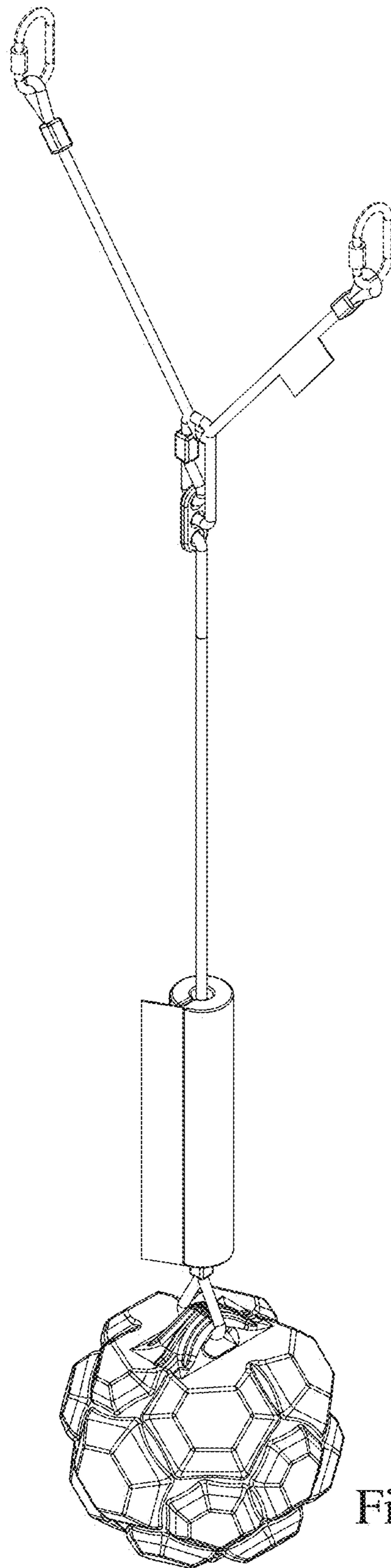


Fig. 3



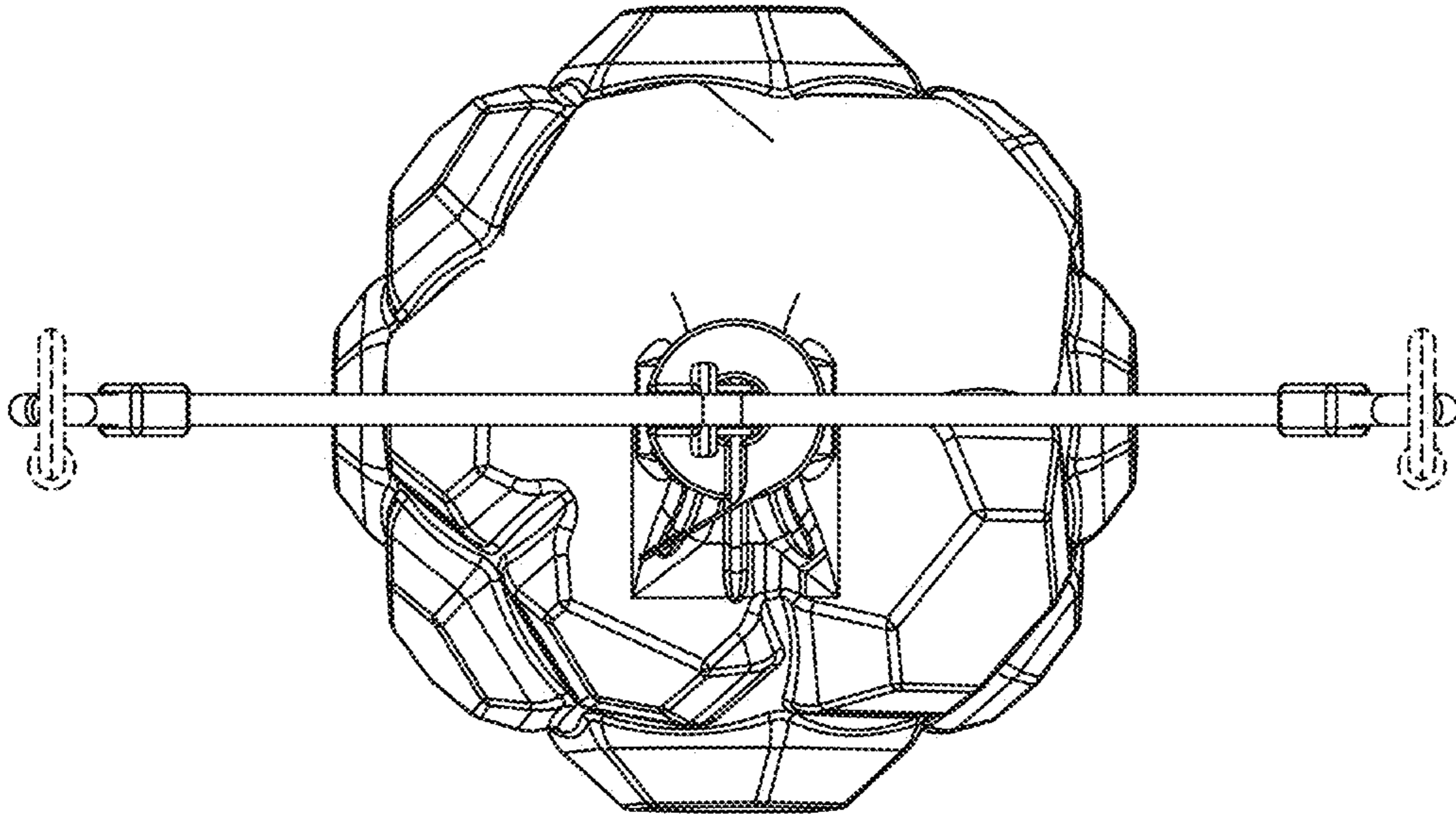


Fig. 4

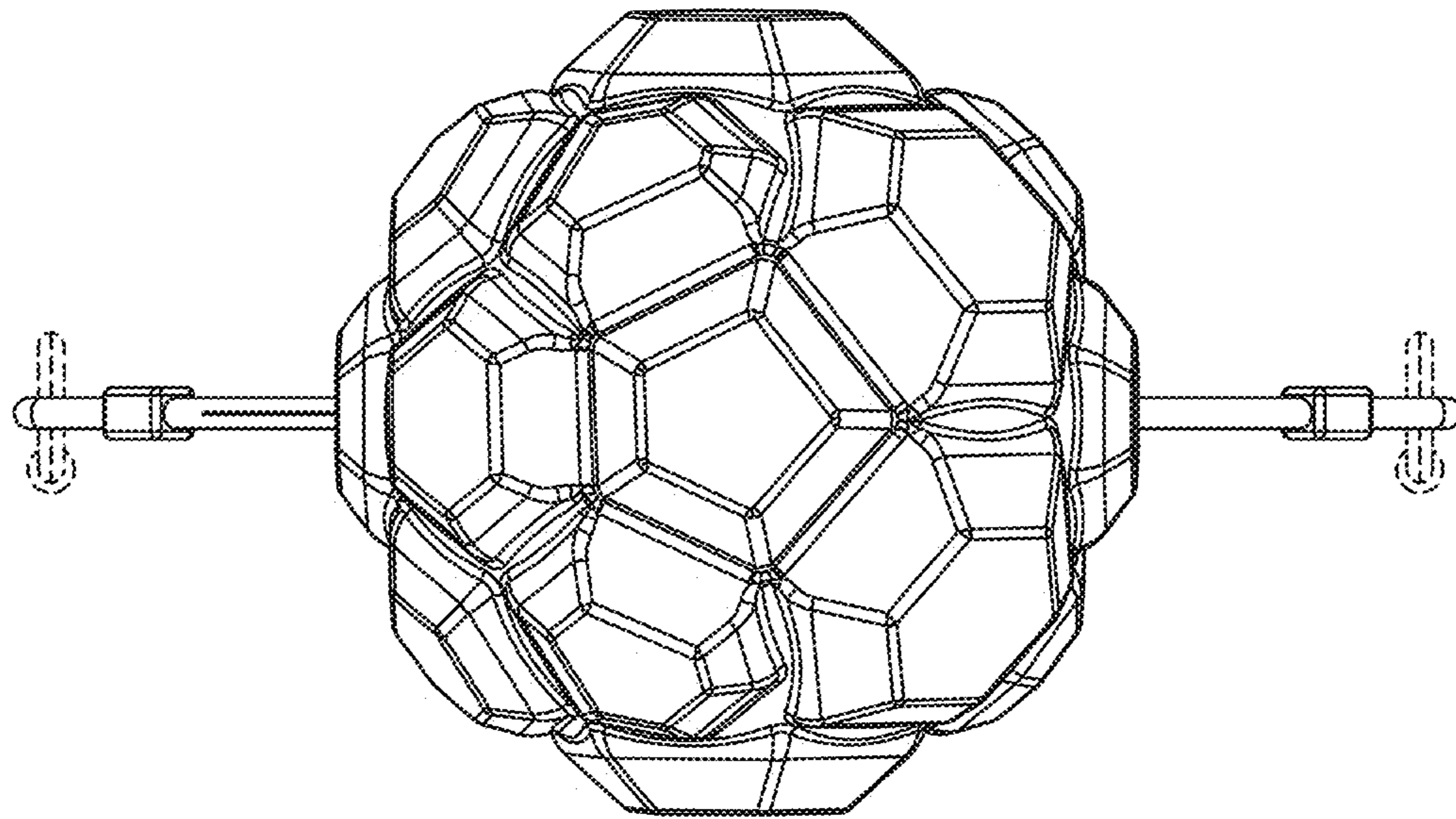


Fig. 5