



US00D914814S

(12) **United States Design Patent**
DeMille et al.

(10) **Patent No.:** **US D914,814 S**
(45) **Date of Patent:** **** Mar. 30, 2021**

(54) **PUTTER HEAD**

(71) Applicant: **Callaway Golf Company**, Carlsbad, CA (US)

(72) Inventors: **Brandon D. DeMille**, Carlsbad, CA (US); **William C. Watson**, Menifee, CA (US); **Augustin W. Rollinson**, Solana Beach, CA (US); **Larry Tang**, Carlsbad, CA (US); **David Handy**, Carlsbad, CA (US); **Eric Stubben**, Encinitas, CA (US)

(73) Assignee: **Callaway Golf Company**, Carlsbad, CA (US)

(**) Term: **15 Years**

(21) Appl. No.: **29/703,641**

(22) Filed: **Aug. 28, 2019**

(51) **LOC (13) Cl.** **21-02**

(52) **U.S. Cl.**
USPC **D21/736**

(58) **Field of Classification Search**
USPC D21/736-746, 759
CPC A63B 53/00; A63B 53/04; A63B 53/007;
A63B 53/065; A63B 53/0487; A63B
60/00; A63B 60/46
See application file for complete search history.

(56) **References Cited**

U.S. PATENT DOCUMENTS

D458,656 S *	6/2002	Tang	D21/738
6,506,125 B2 *	1/2003	Helmstetter	A63B 60/00 473/242
D470,904 S *	2/2003	Tang	D21/742
D479,291 S *	9/2003	Murray	D21/742
D485,323 S *	1/2004	Wagner	D21/744
D572,780 S *	7/2008	Rollinson	D21/744

D592,717 S *	5/2009	Rollinson	D21/742
D619,665 S *	7/2010	Rollinson	D21/742
D641,816 S *	7/2011	Rollinson	D21/744
D650,459 S *	12/2011	Rollinson	D21/746
D688,340 S *	8/2013	Tang	D21/742
D704,287 S *	5/2014	Tang	D21/742
D713,900 S *	9/2014	Hilton	D21/736
D730,462 S *	5/2015	Becktor	D21/742
D846,672 S *	4/2019	Rollinson	D21/744
D880,631 S *	4/2020	DeMille	D21/736
D888,174 S *	6/2020	Rollinson	D21/759
D890,277 S *	7/2020	Rollinson	D21/744
10,835,789 B1 *	11/2020	DeMille	A63B 53/0487

* cited by examiner

Primary Examiner — Mitchell I. Siegel

(74) *Attorney, Agent, or Firm* — Rebecca Hanovice;
Michael Catania; Sonia Lari

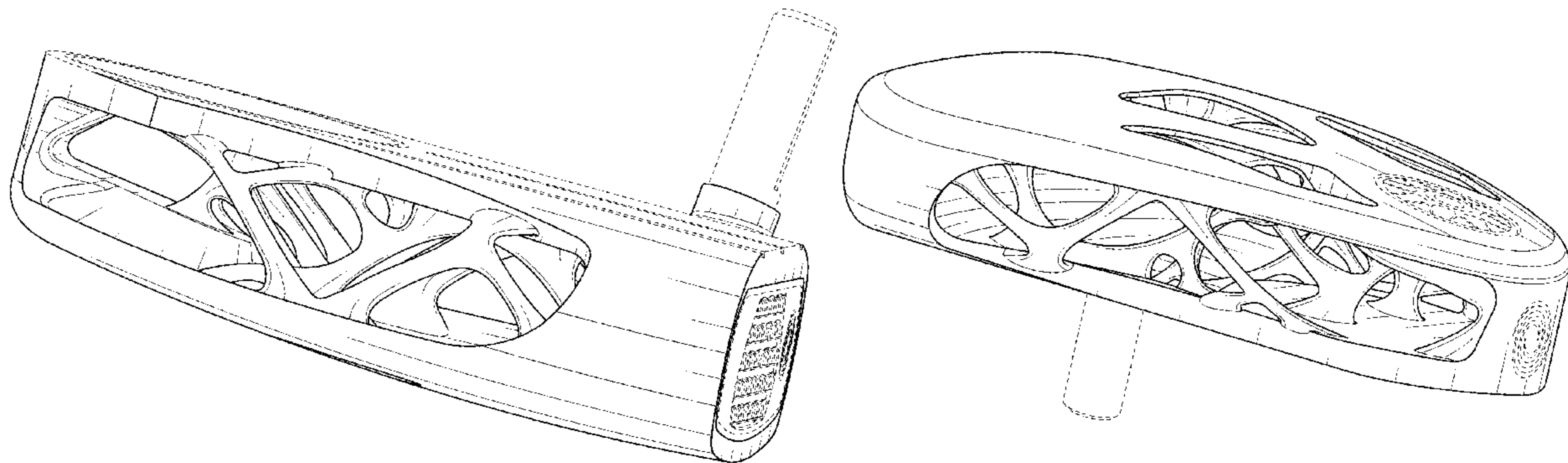
(57) **CLAIM**

The ornamental design for a putter head, as shown and described.

DESCRIPTION

FIG. 1 is a top plan view of the putter head claimed herein; FIG. 2 is a bottom plan view thereof; FIG. 3 is a right side elevational view thereof; FIG. 4 is a rear elevational view thereof; FIG. 5 is a cross-sectional view thereof along lines 5-5; FIG. 6 is a cross-sectional view thereof along lines 6-6; FIG. 7 is a cross-sectional view of the embodiment shown in FIG. 3 along lines 7-7; FIG. 8 is a rear perspective view of the embodiment shown in FIG. 1; FIG. 9 is a top perspective view thereof; FIG. 10 is a side perspective view thereof; and, FIG. 11 is another rear perspective view thereof. The broken lines shown on the drawings form no part of the claimed design.

1 Claim, 9 Drawing Sheets



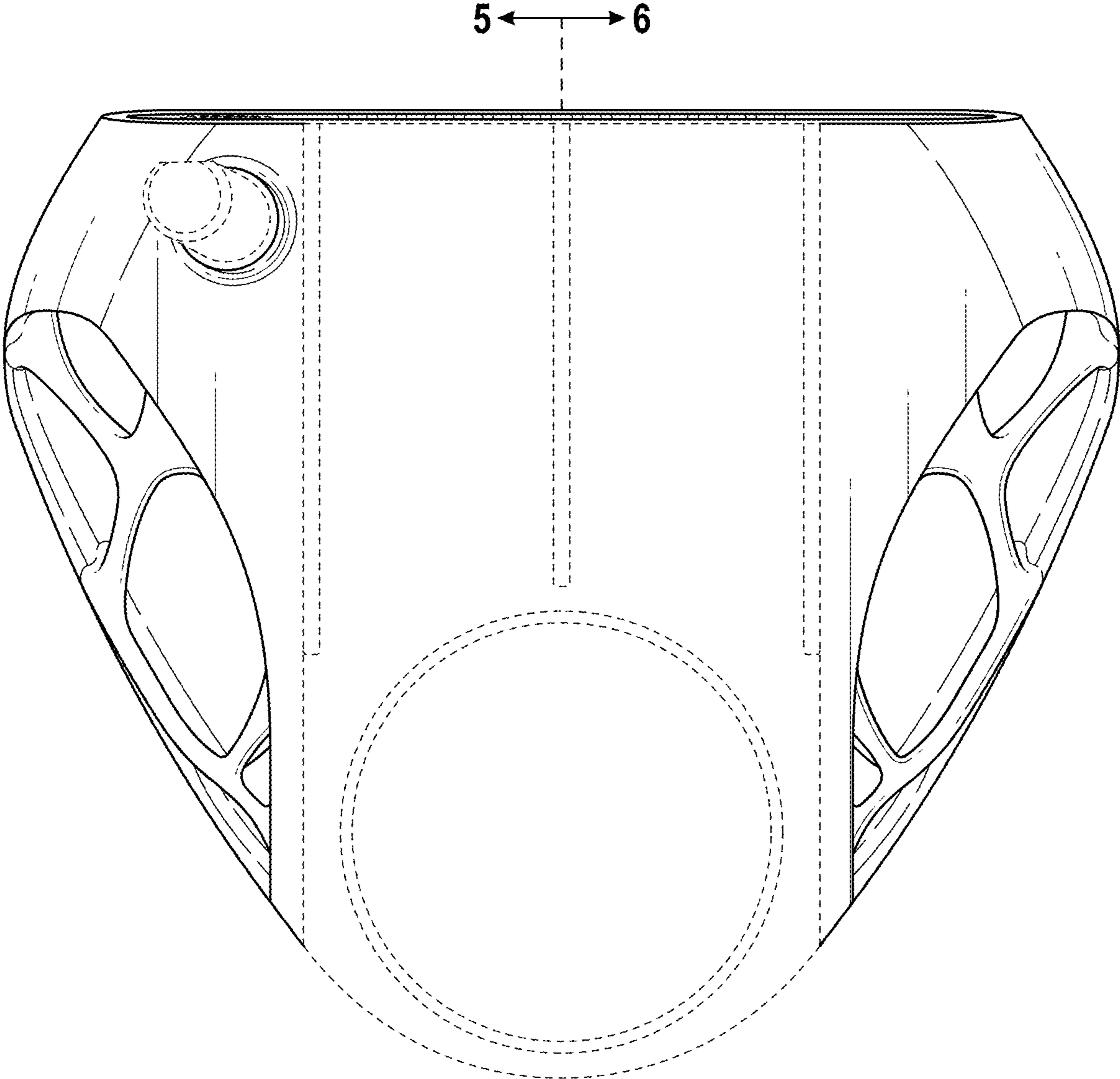


FIG. 1

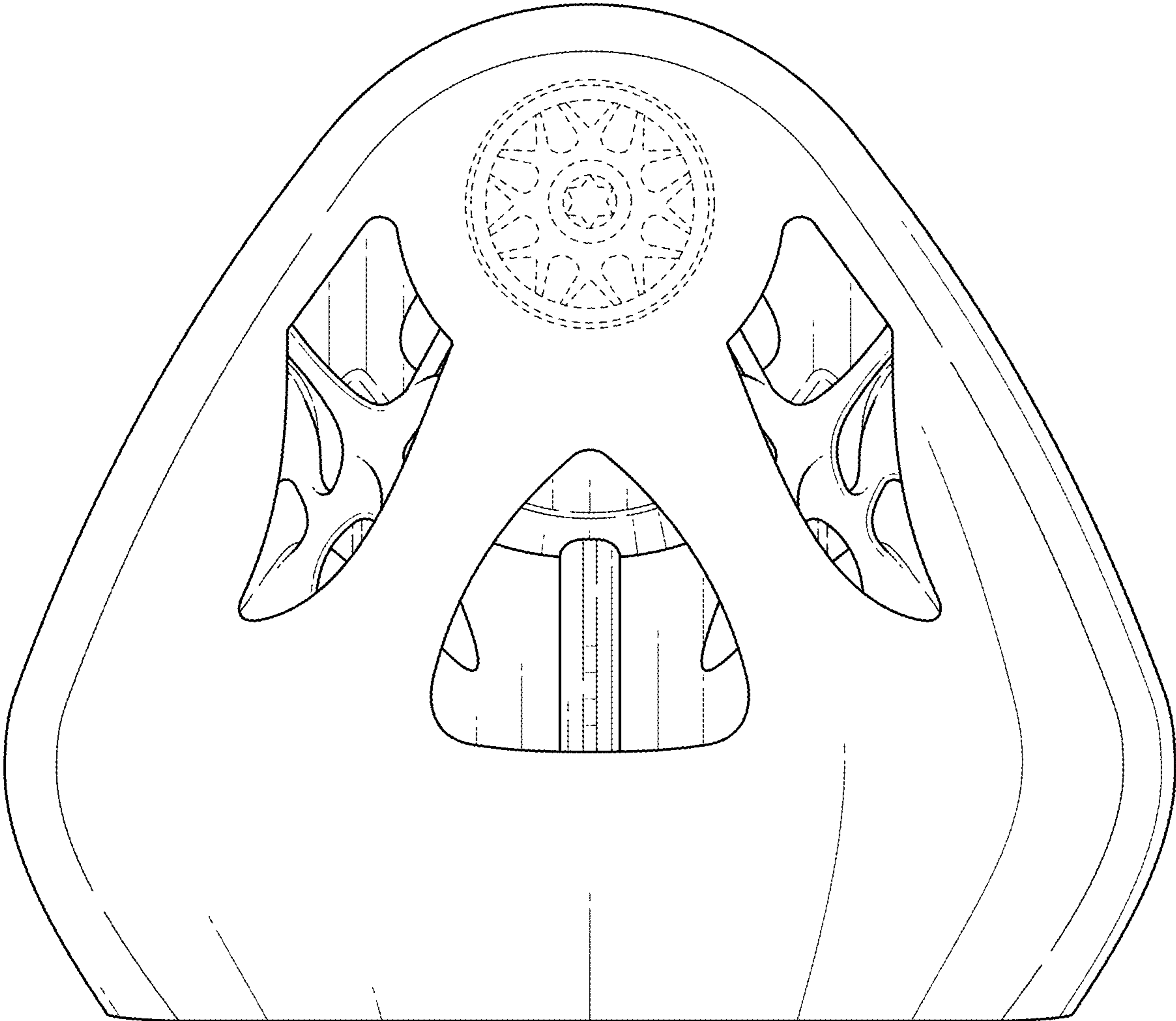


FIG. 2

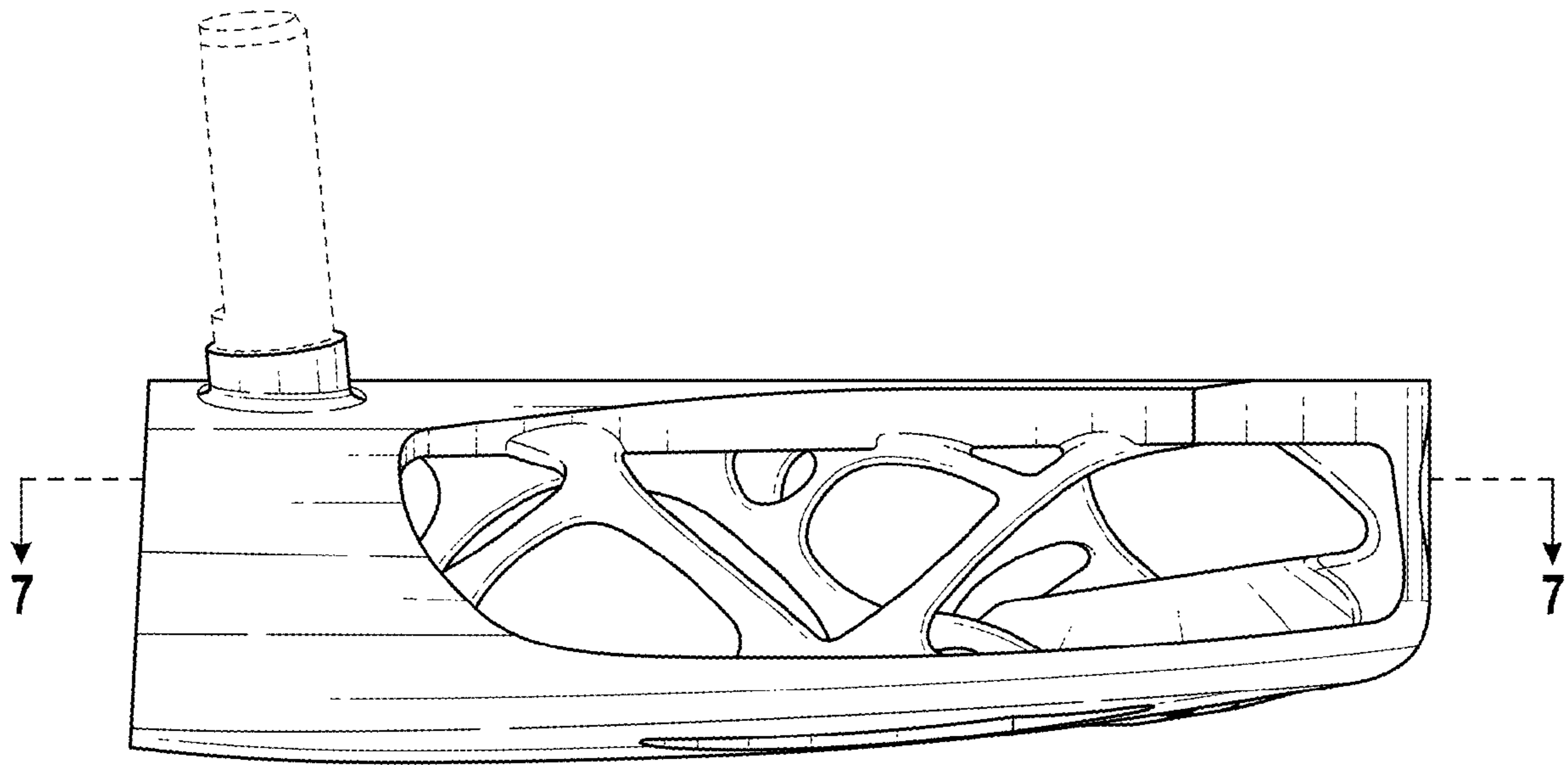


FIG. 3

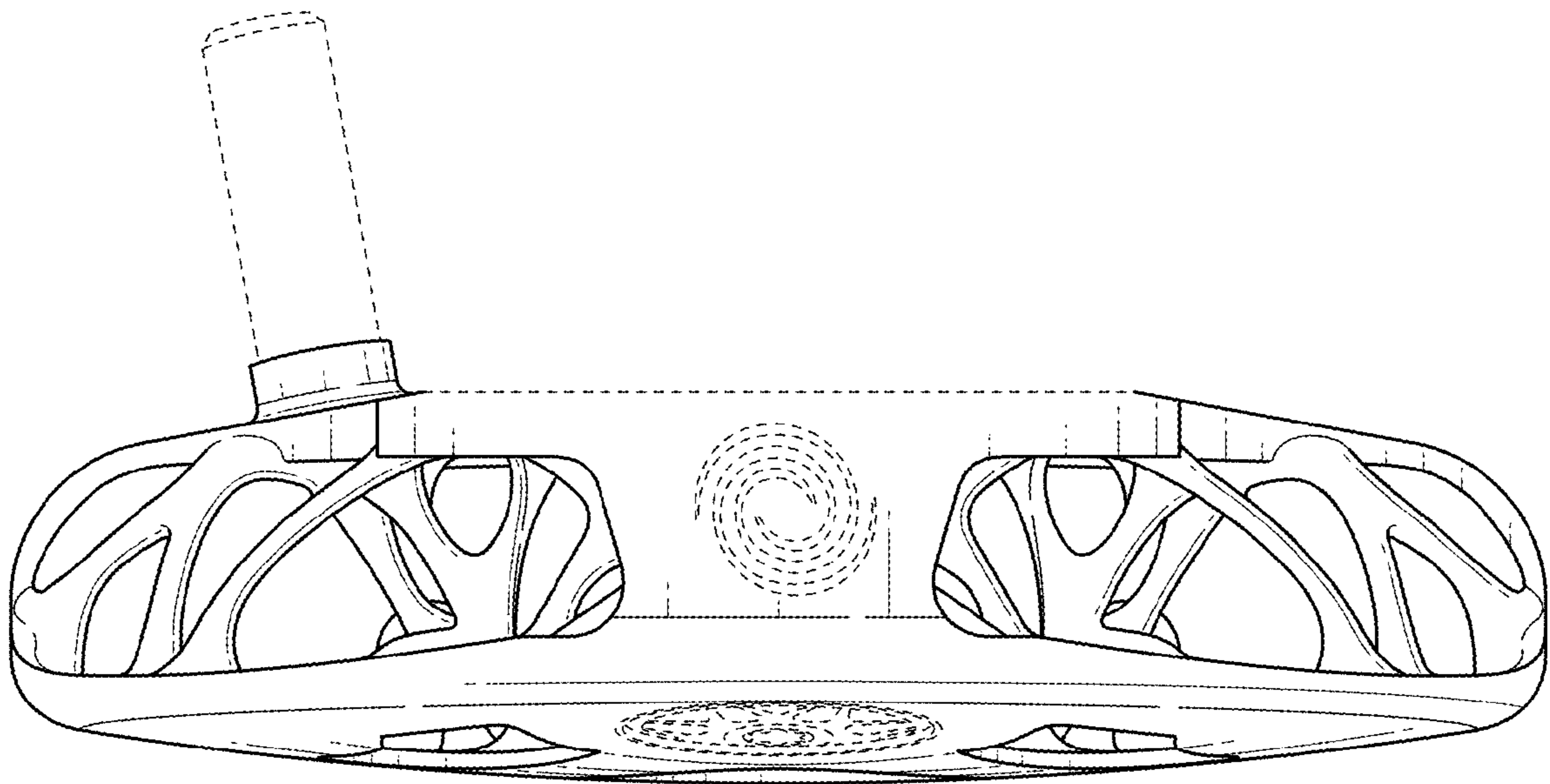


FIG. 4

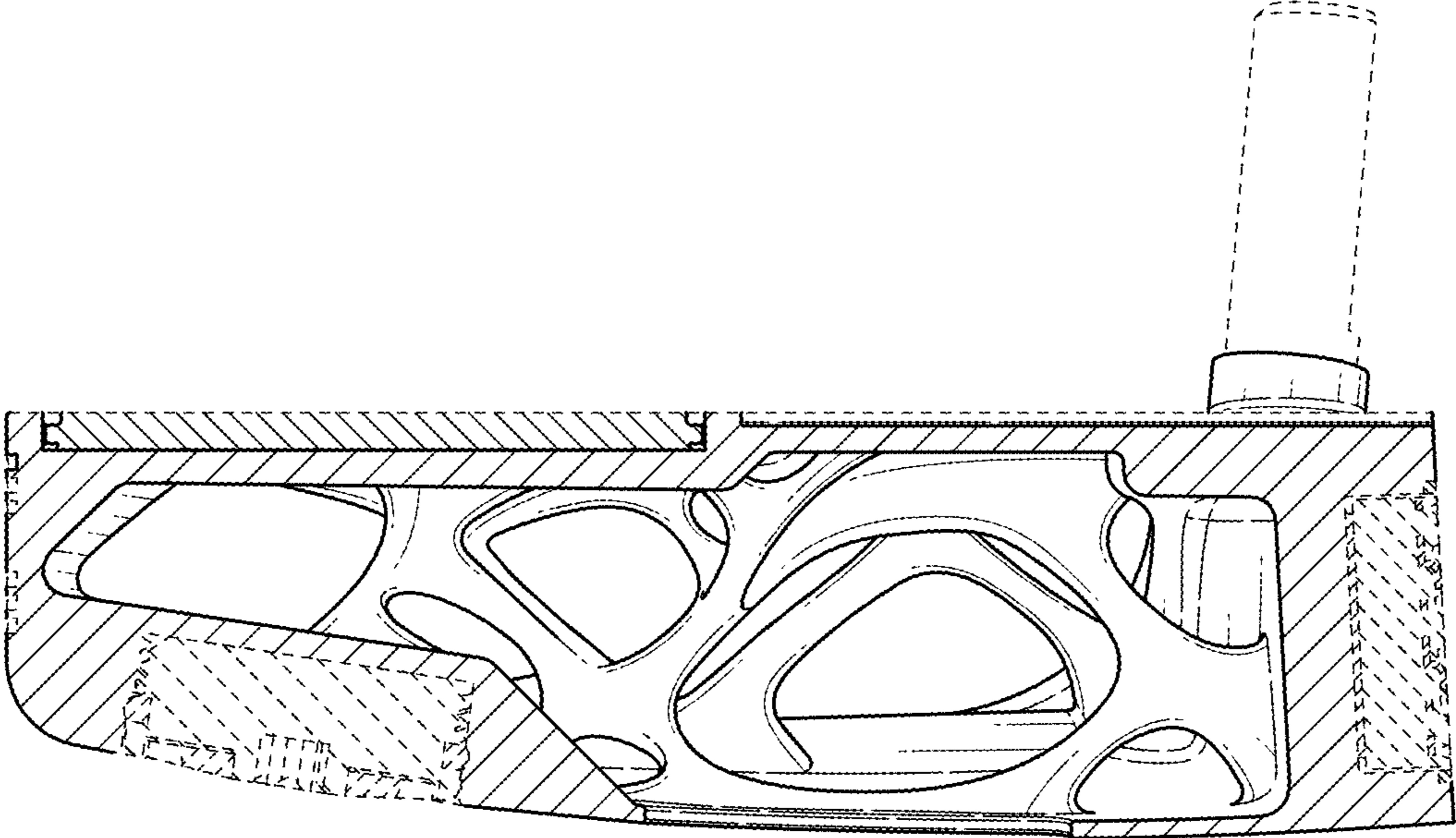


FIG. 5

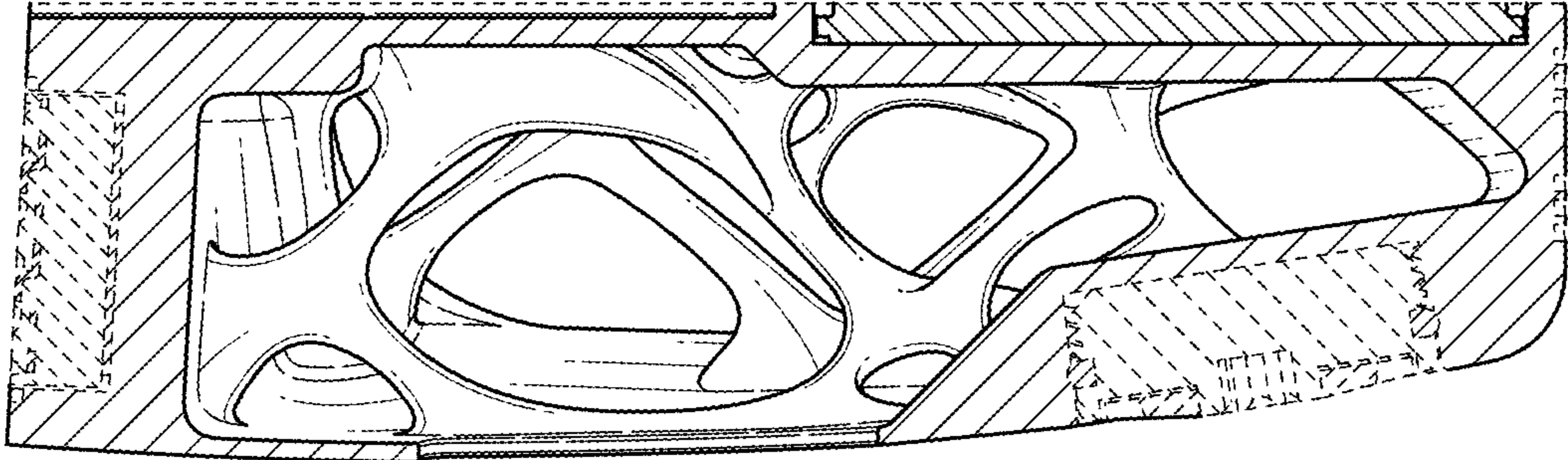


FIG. 6

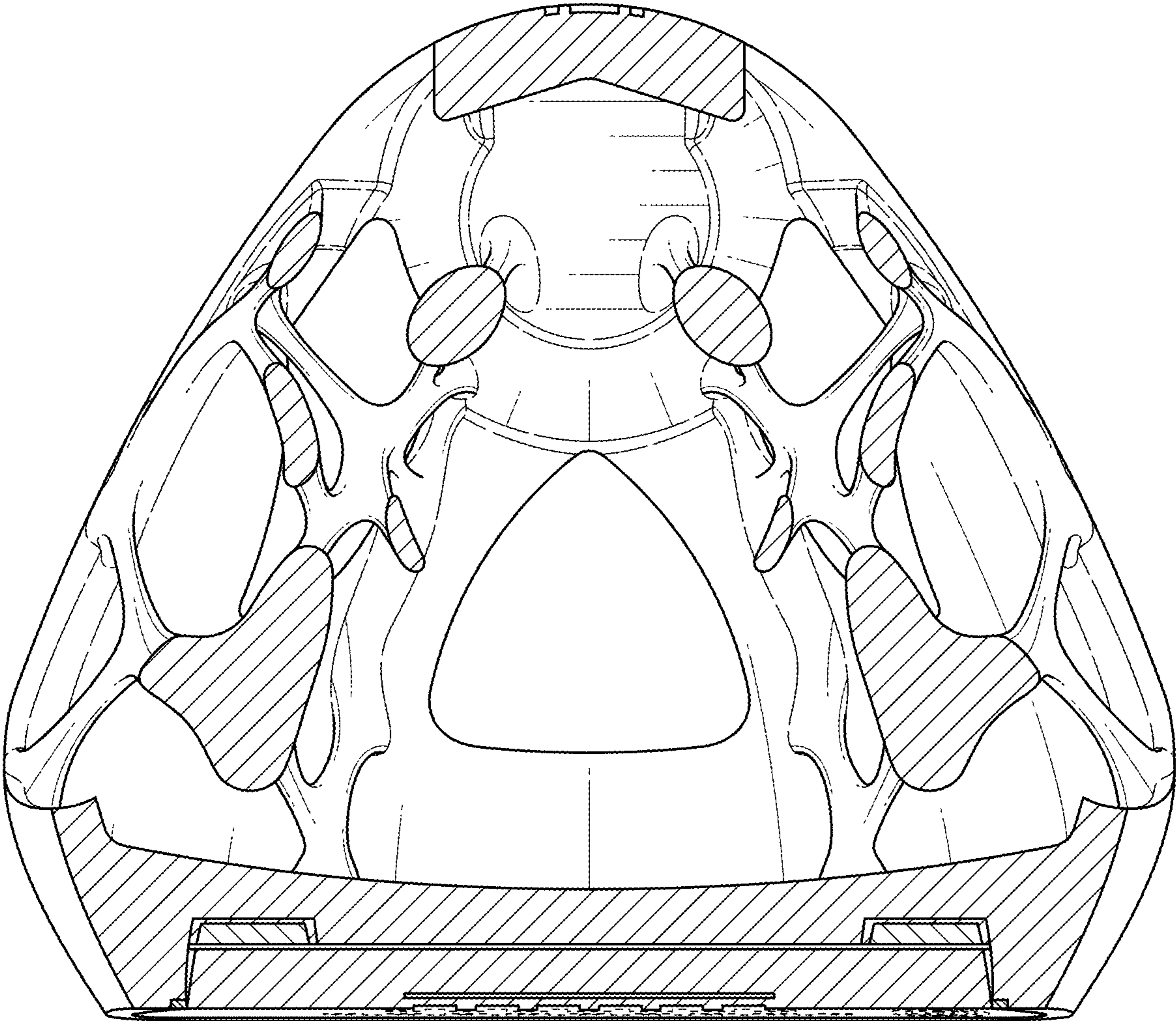


FIG. 7

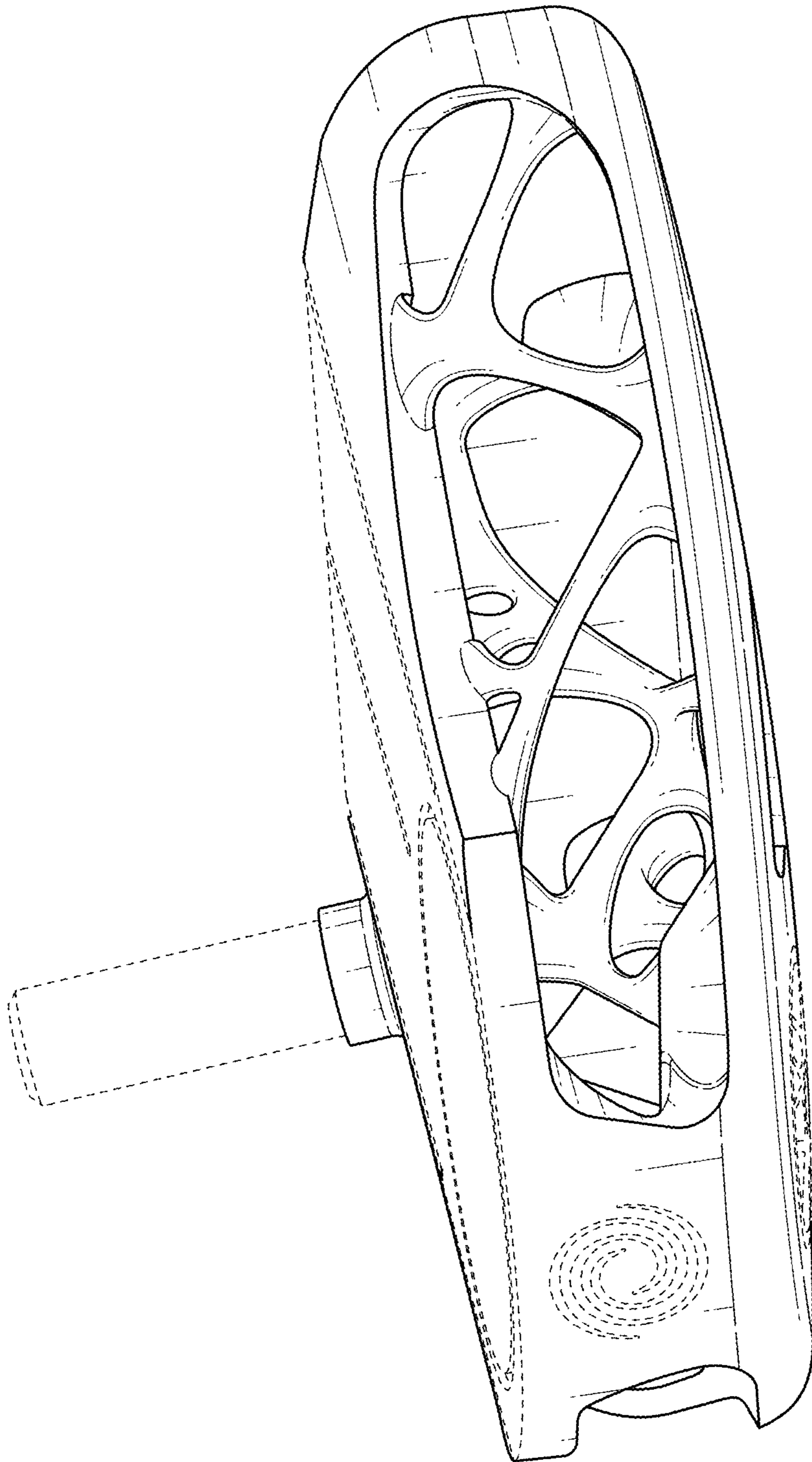


FIG. 8

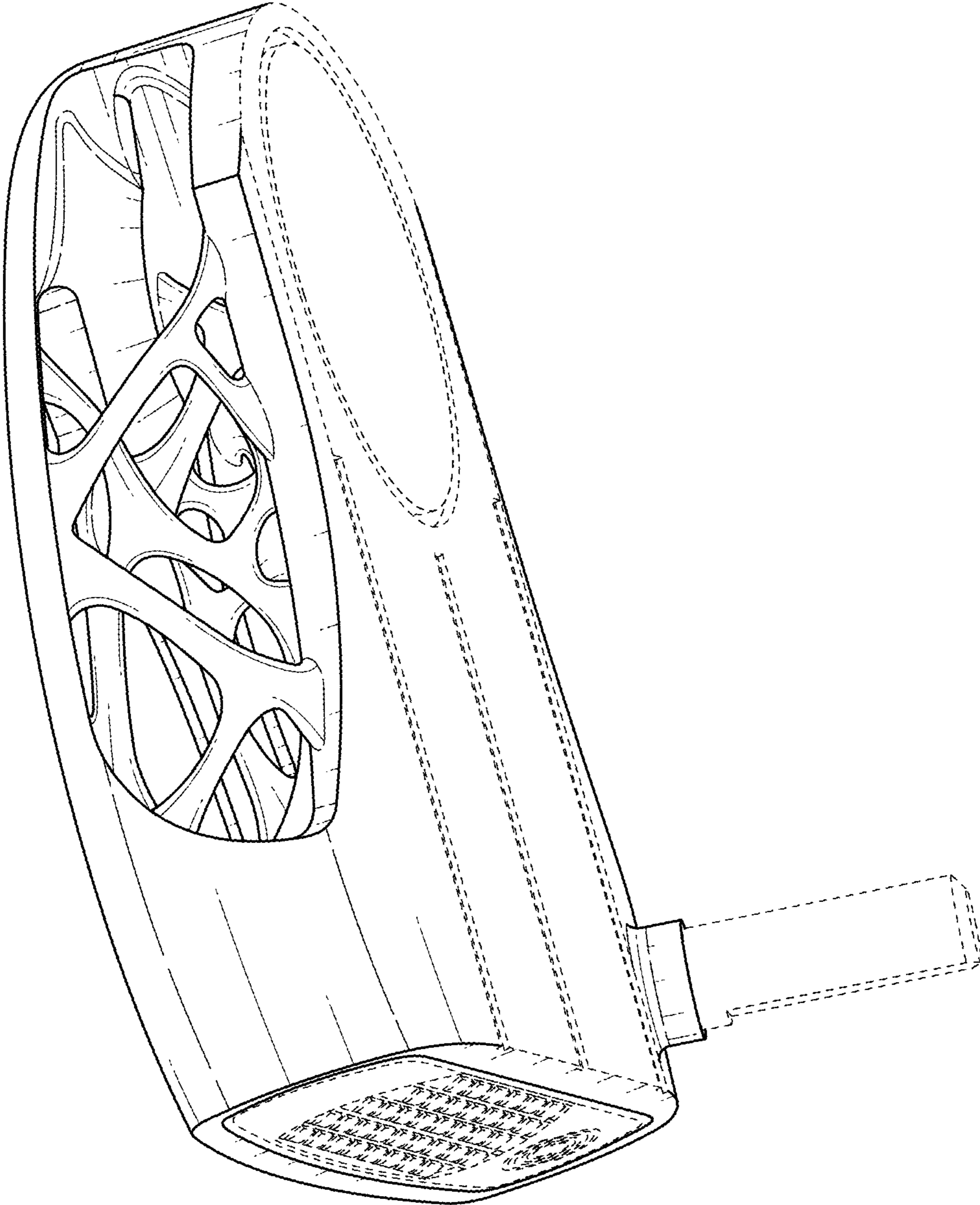


FIG. 9

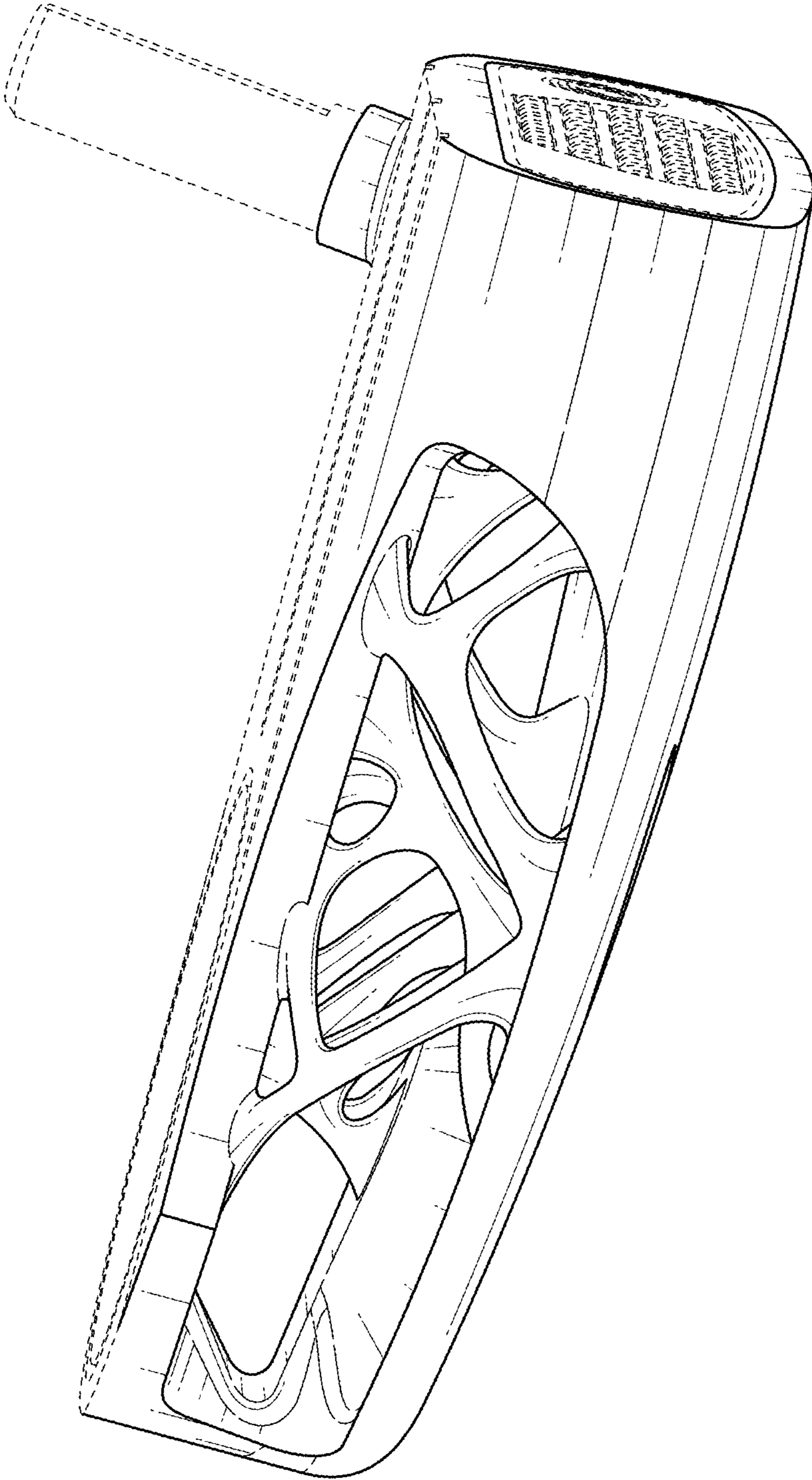


FIG. 10

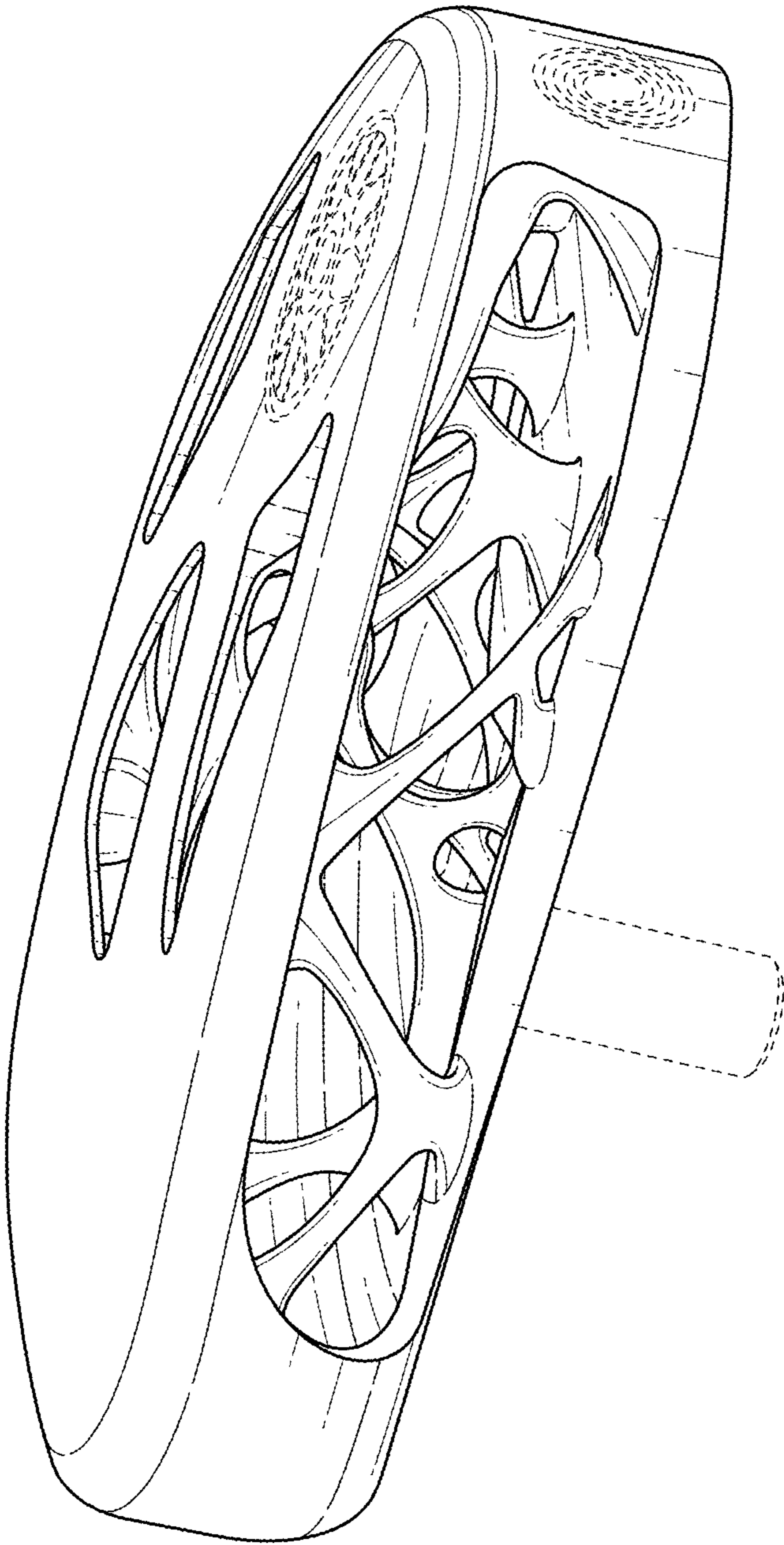


FIG. 11